



**Ice Cube Machine Large
7453 Series**

User Manual
Gebruikershandleiding
Gebrauchsanweisung
Le mode d'emploi



CONTENT

ENGLISH

1 IMPORTANT ADVICE AND RECOMMENDATIONS	10
2 TECHNICAL DATA (Fig. 1)	11
3 ADVICE ABOUT TRANSPORTATION	11
4 UNPACKING	11
5 INSTALLATION	12
5.1 CONNECTION DIAGRAM (Fig. 4)	12
5.2 POSITIONING	12
5.3 CONNECTION TO THE WATER MAINS	12
5.4 CONNECTION TO THE ELECTRICITY MAINS	13
5.5 CONNECTING THERMOSTAT TO BIN	13
6 START-UP	14
6.1 CLEANING INTERNAL PARTS	14
6.2 START-UP	14
7 MAIN CAUSES OF OPERATING FAILURE	14
8 OPERATION	15
9 MAINTENANCE	15
9.1 CLEANING THE FILTER OF WATER SUPPLY SOLENOID VALVE (Fig. 11)	15
9.2 AIR-COOLED MODELS	15
9.3 CLEANING AND SANITIZING OPERATIONS	16
10 PERIODS AT A STANDSTILL	16

NEDERLANDS

1 BELANGRIJKE WAARSCHUWINGEN EN RAADGEVINGEN	17
2 TECHNISCHE GEGEVENS (Fig. 1)	18
3 NUTTIGE AANWIJZINGEN VOOR HET VERVOER	18
4 UITPAKKEN	18
5 INSTALLATIE	19
5.1 VERBINDINGSSCHEMA (Fig. 4)	19
5.2 PLAATSING	19
5.3 AANSLUITING OP DE WATERLEIDING	20
5.4 AANSLUITING OP HET ELEKTRICITEITSNET	20
5.5 AANSLUITING VAN DE THERMOSTAAT OP DE BAK	21
6 START	21
6.1 REINIGING VAN DE INTERNE DELEN	21
6.2 START	21
7 VOORNAAMSTE STORINGSOORZAKEN	22
8 WERKING	22
9 ONDERHOUD	23
9.1 REINIGING FILTER ELEKTROMAGNEETKLEP VOOR WATERTOEOVOER (Fig. 13)	23
9.2 MODELLEN MET LUCHTVERDICHTING (Fig. 14)	23
9.3 REINIGING EN ONTSMETTING	24
10 BUITENWERKINGSTIJDEN	24

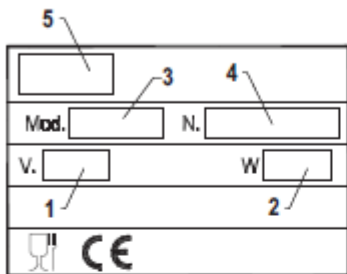
DEUTSCH

1 WICHTIGE ALLGEMEINE HINWEISE UND RATSCHLÄGE	25
2 TECHNISCHE DATEN (Abb. 1)	26
3 WICHTIGE HINWEISE ZUM TRANSPORT	26
4 AUSPACKEN	26
5 INSTALLATION	27
5.1 ANSCHLUSSPLAN (Abb. 4)	27
5.2 AUFSTELLUNG	27
5.3 WASSERANSCHLUSS	27
5.4 STROMANSCHLUSS	28
5.5 VERBINDUNG DES THERMOSTATEN MIT DEM BEHÄLTER	29
6 INBETRIEBNAHME	29
6.1 REINIGEN DER INNENTEILE	29
6.2 EINSCHALTEN	29
7 HAUPTSÄCHLICHE STÖRUNGSURSACHEN	30
8 FUNKTIONSWEISE	30
9 WARTUNG	31
9.1 REINIGEN DES FILTERS DES MAGNETVENTILS DER WASSERZUFUHR (Abb. 13)	31
9.2 AUSFÜHRUNGEN MIT LUFTKONDENSATION	31
9.3 REINIGUNG UND DESINFEKTION	32
10 LÄNGERER STILLSTAND DES GERÄTES	32

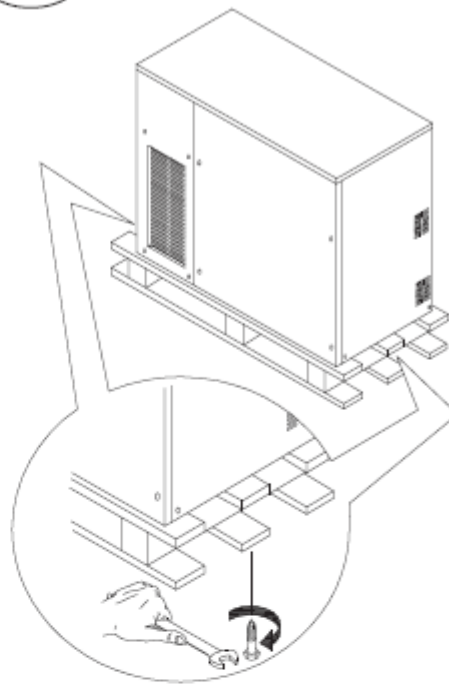
FRANÇAIS

1 AVERTISSEMENTS ET CONSEILS IMPORTANTS	33
2 DONNEES TECHNIQUES (Fig. 1)	34
3 INDICATIONS UTILES POUR LE TRANSPORT	34
4 DEBALLAGE	34
5 INSTALLATION	35
5.1 SCHEMA DES CONNEXIONS (Fig. 4)	35
5.2 MISE EN PLACE	35
5.3 RACCORDEMENT AU RESEAU HYDRIQUE	36
5.4 RACCORDEMENT AU SECTEUR ELECTRIQUE	36
5.5 RACCORDEMENT DU THERMOSTAT AU CONTENEUR	37
6 MISE EN SERVICE	37
6.1 NETTOYAGE DES PARTIES INTERNES	37
6.2 MISE EN MARCHÉ	37
7 PRINCIPALES CAUSES DE MAUVAIS FONCTIONNEMENT	38
8 FONCTIONNEMENT	38
9 ENTRETIEN	39
9.1 NETTOYAGE FILTRE ELECTROVANNE D'ARRIVEE D'EAU (Fig. 13)	39
9.2 MODELES A CONDENSATION A AIR (Fig. 14)	39
9.3 OPERATIONS DE NETTOYAGE ET DESINFECTION	40
10 PERIODES D'INACTIVITE	40

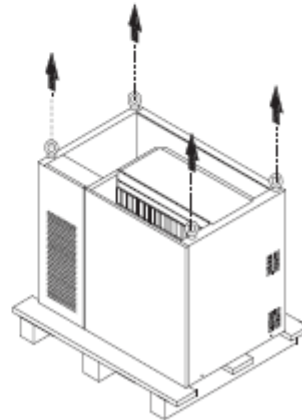
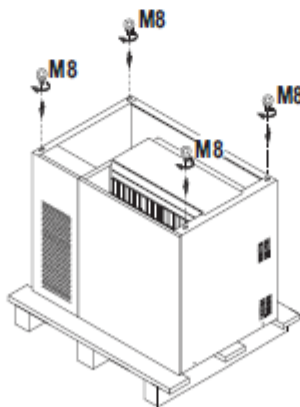
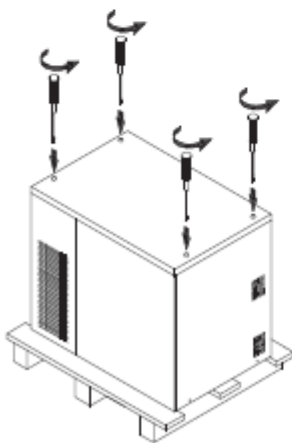
1



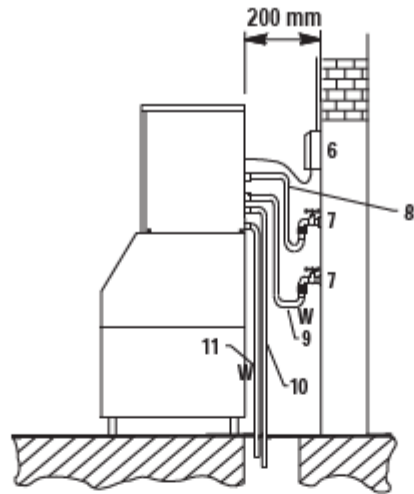
2



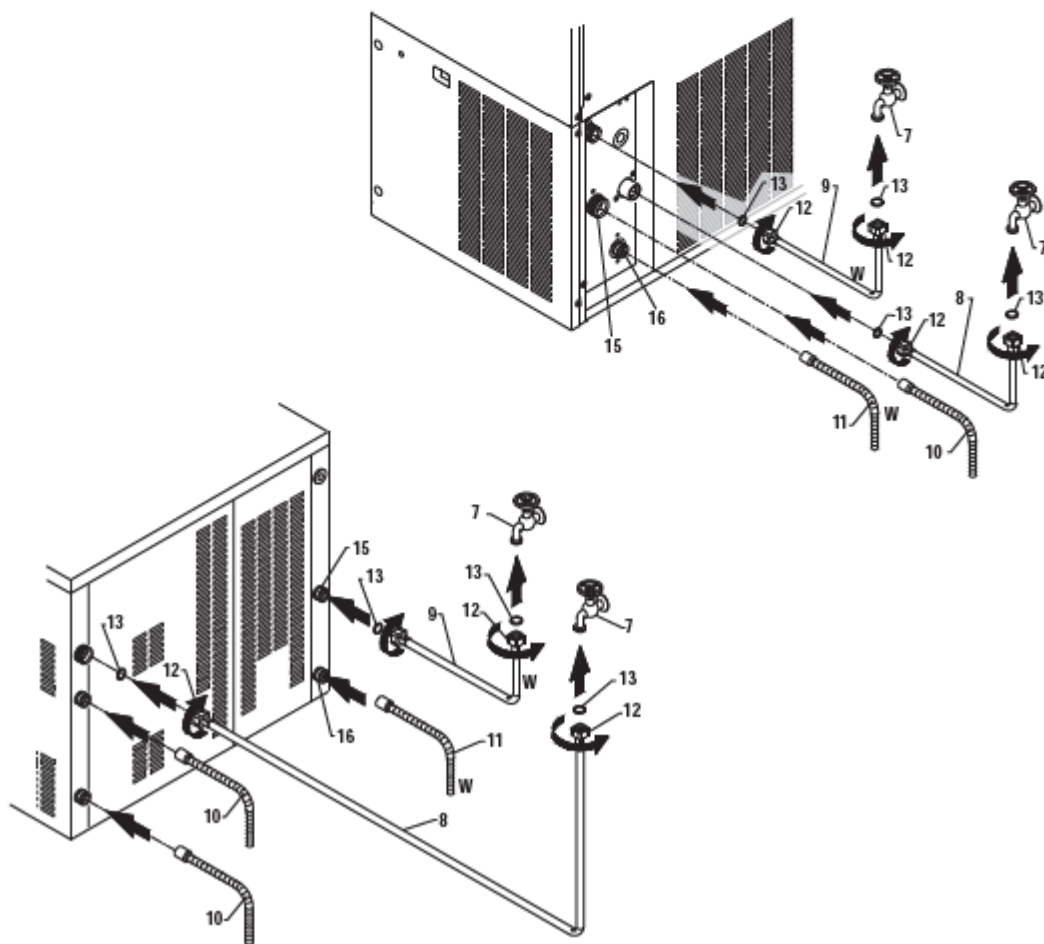
3



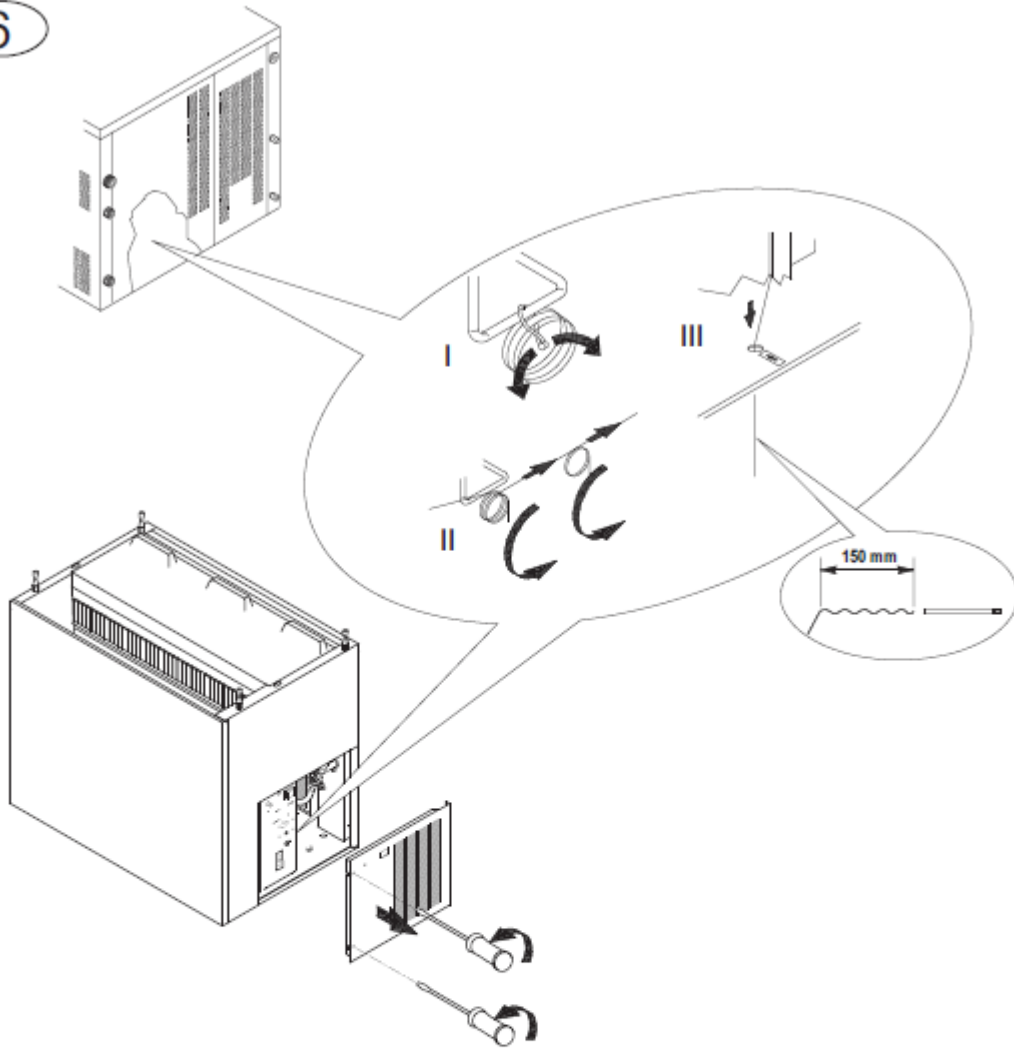
4



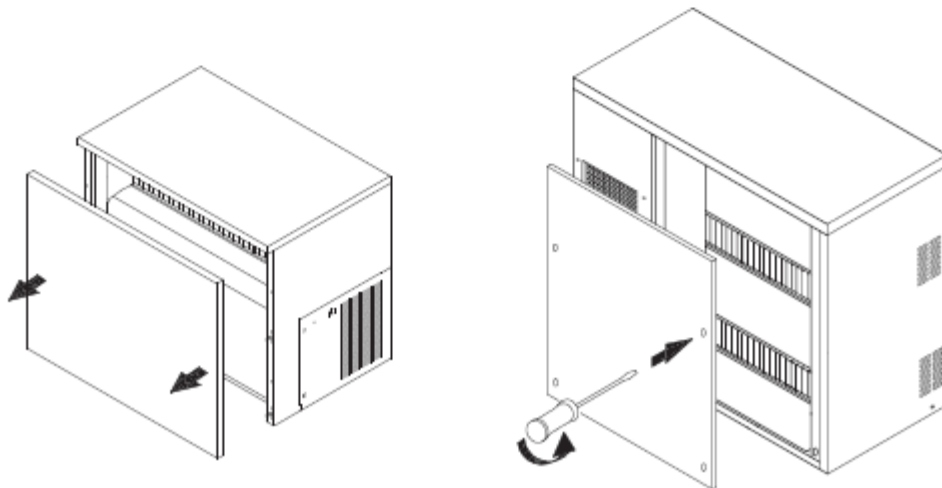
5



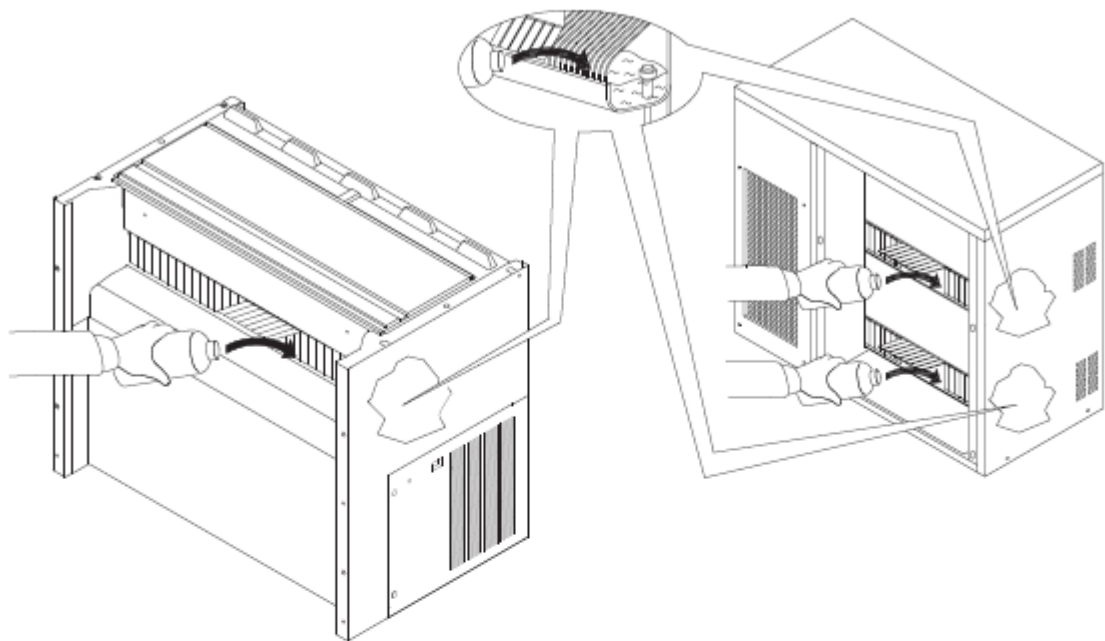
6



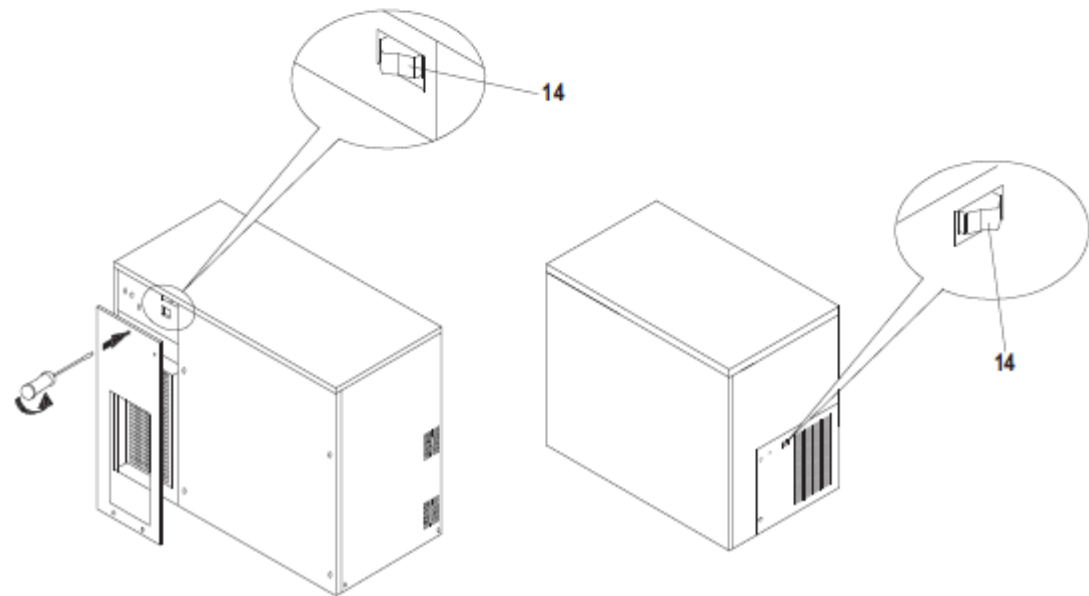
7



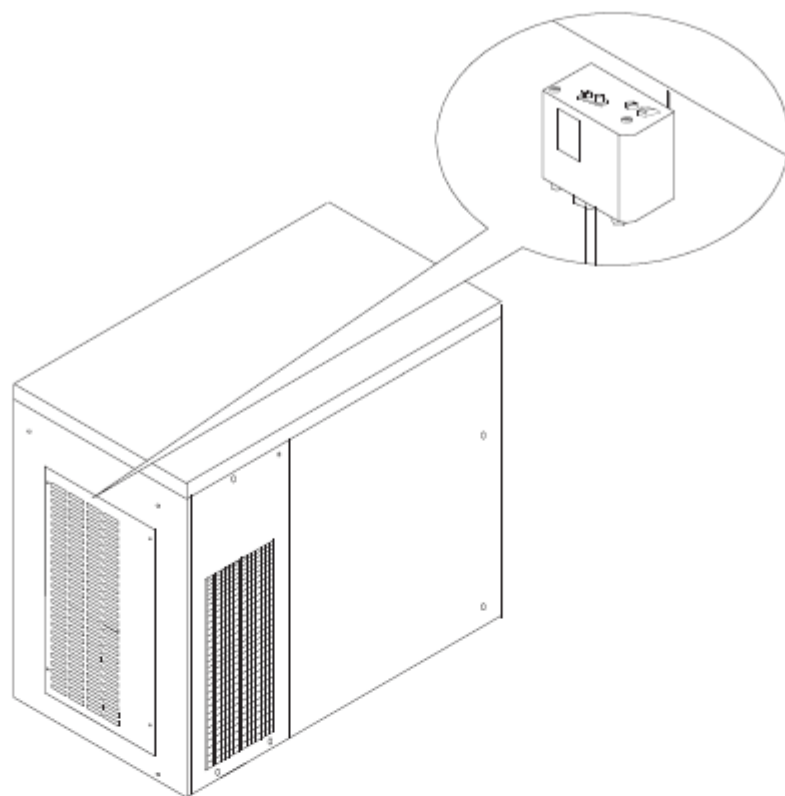
8



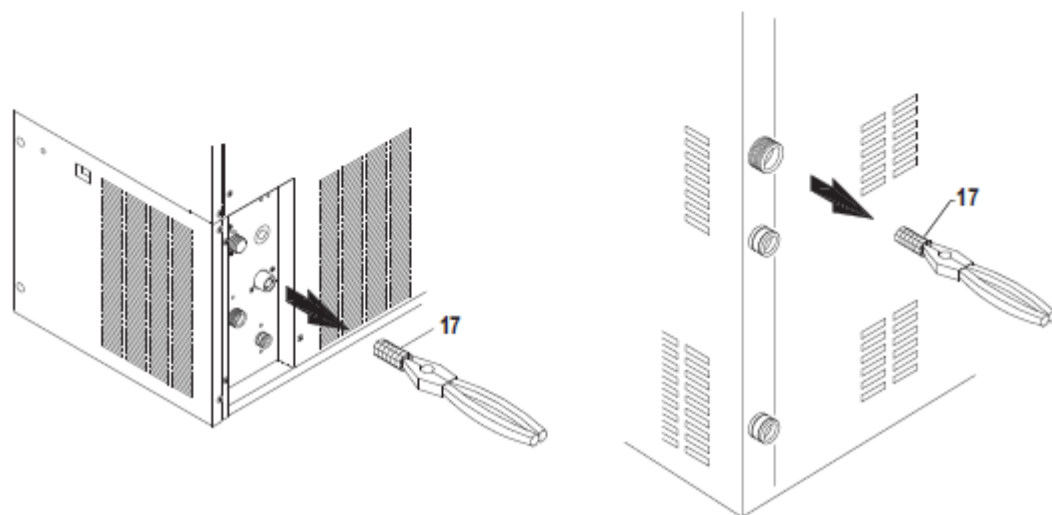
9



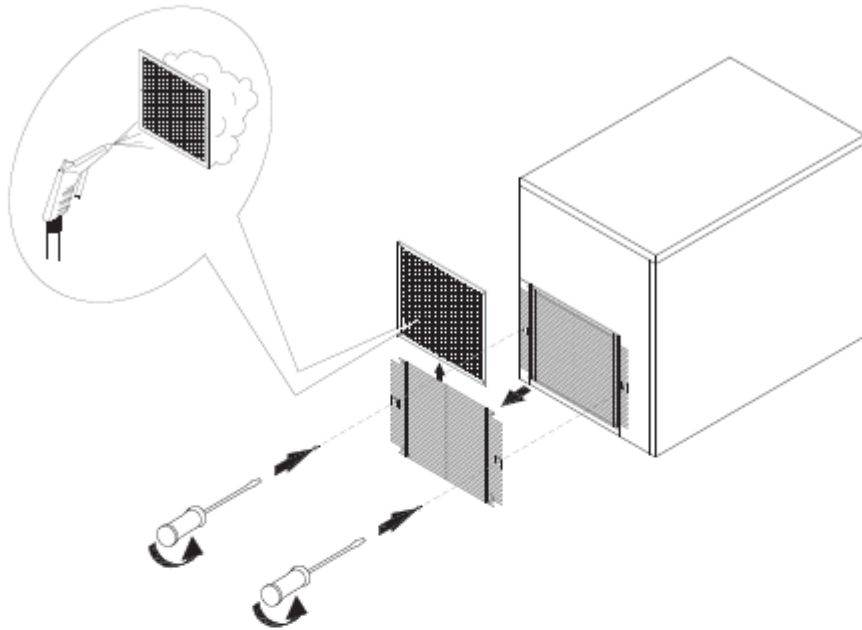
10



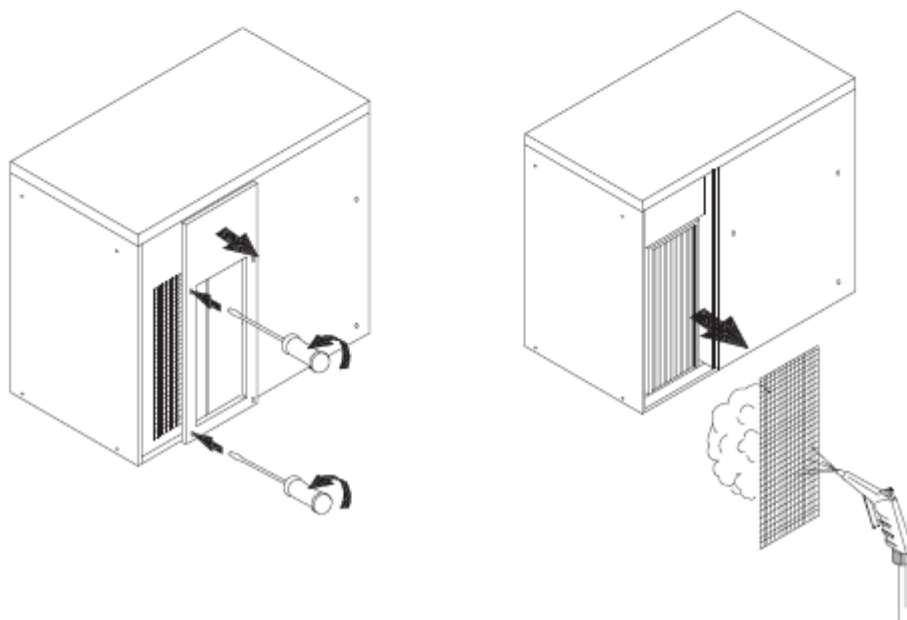
11



12



13



Dear Customer, Congratulations on having chosen a quality product which will certainly fully meet your expectations. Thank you for having purchased one of our products. **Please read this instruction manual carefully before using your new automatic modular ice-cube maker.**

1 IMPORTANT ADVICE AND RECOMMENDATIONS

This instruction manual forms an integral part of the automatic modular ice-cube maker (also more simply called “appliance” in the text) and must be kept for possible future consultation. In the event of the appliance being sold or transferred to another person, this manual must be handed over to the new user, in order to enable him to become familiar with the operation of the equipment and the corresponding advice and recommendations.

!! Before installing and using the appliance, read the advice and recommendations contained in this instruction manual very carefully. They are given in order to ensure safe installation, use and maintenance of the appliance.

- Always remove the plug from the power socket before proceeding with any cleaning or maintenance operations.
- To ensure the appliance operates efficiently and correctly, it is essential to comply with the manufacturer’s instructions and to make sure that maintenance is performed by specially qualified personnel.
- Do not remove any of the panels or grilles.
- Do not rest objects on the appliance or in front of the ventilation grilles.
- Always lift the appliance to move it, even slightly. Do not push or pull it.
- Any use of the appliance other than for the production of ice using cold drinking water is to be considered as improper use.
- Do not obstruct the ventilation and heat-dissipation grilles, since poor aeration - in addition to reducing efficiency and causing poor operation - may also cause serious damage to the appliance.
- If the appliance breaks down and/or operates in a faulty way, switch it off by means of the main switch fitted during the installation phase, remove the plug from the socket (if any), and turn off the water tap. Do not make any attempt to repair the appliance yourself. Contact only professionally qualified and authorized personnel
- In addition to rendering any form of warranty null and void, modifying (or attempting to modify) this appliance is extremely dangerous..
- Open and close the door carefully without slamming it
- Do not use the ice container to cool or preserve food or drinks, as these operations could cause the drain system to become clogged, thus leading to the container filling up and water leaking out.
- In the event of a failure, contact the dealer who sold you the appliance; he will be able to give you the address of your nearest authorized technical service centre. Always insist on having original spare parts mounted..
- Any specific information or diagrams regarding particular models will be attached to this manual.

!! Use of this electrical appliance requires compliance with certain fundamental rules; in particular:

- Do not touch the appliance with wet or damp hands or feet.
- Do not use the appliance when you are barefoot.
- Do not use extensions in premises such as bathrooms or shower rooms.
- Do not tug on the power supply cable to disconnect it from the mains.
- This appliance can be used by children aged from 8 years and above and persons with reduced physical, sensory or mental capabilities or lack of experience and knowledge, if they have been given supervision or instruction concerning use of the appliance in a safe way and understand the hazards involved. Children shall not play with the appliance. Cleaning and user maintenance shall not be made by children without supervision.
- Supervise children to ensure that they do not play with the appliance.

Should you decide to scrap appliance, first disconnect the power cable from the mains, and then cut the cable off.

In addition, proceed as follows:

- Break off and remove the door in order to prevent the possible danger of a child getting trapped inside.
- Do not allow the coolant gas and oil in the compressor to disperse into the environment.
- Dispose of or recover the various materials according to the provisions established by the current laws in force in your country.



This symbol means that this product should not be treated as a household waste. To prevent potential negative consequences for the environment and health, be sure this product is correctly disposed of and recycled. For information on the disposal and recycling of this product, contact your Distributor or the Waste Treatment Service.

This appliance does not contain coolant that damages the ozone layer. This appliance contains fluorinated greenhouse gases covered by the Kyoto Protocol. This product is hermetically sealed.

!! The Manufacturer shall not be liable for any damage to the environment, animals, persons or objects caused by incorrect installation.

2 TECHNICAL DATA (Fig. 1)

The voltage and frequency are given on the data plate on the appliance. Refer to this data plate to check compliance.

Voltage (1), power (2), model (3), serial No. (4), Manufacturer (5).

The weighted equivalent continuous sound level A of this appliance is less than 70 dB(A). The measurements were made over an entire production cycle, at a distance of 1 m from the surface of the appliance and at a height of 1.60 m from the floor.

The wiring diagram is stuck on the rear panel of the appliance.

3 ADVICE ABOUT TRANSPORTATION

The net weight and the weight including packaging of the appliance are given on the cover of this manual. Please refer to the instructions on the packaging in order to correctly transport and lift the appliance.

To prevent the oil in the compressor from flowing back into the coolant circuit, always make sure that the appliance is kept upright during transport, storage, and handling. Follow the instructions given on the packaging.

4 UNPACKING

The appliance must be installed by authorized personnel, in compliance with the current laws in force and the Manufacturer's instructions.

Once you have removed the packaging according to the instructions on the box, MAKE SURE THAT THE APPLIANCE IS IN A PERFECTLY GOOD CONDITION. IF IN DOUBT, DO NOT USE IT AND IMMEDIATELY CONTACT THE DEALER who sold it to you.

All the packaging items (plastic bags, cardboard, polystyrene foam, nails, etc.) must be removed and put out of the reach of children, as they are potential sources of danger.

Rest the wooden pallet on the floor, unscrew the bolts (if any) anchoring the appliance to the pallet (Fig. 2), lift the appliance using equipment fit to bear its weight, and separate it from the pallet.

NOTE FOR INSTALLER (300 kg/24h OUTPUT MODEL ONLY):

This operation must only be performed by professionally qualified and authorized personnel.

The appliances are fitted with threaded holes for hooking eyebolts (Fig. 3).

To prevent damage to the appliance, the lifting bolts should be kept vertical during lifting.

5 INSTALLATION

5.1 CONNECTION DIAGRAM (Fig. 4)

6. electrical connection controlled by omnipolar circuit-breaker with residual current device

7. water tap(s)

8. water supply pipe for ice making

9. water supply pipe for water cooling (W)

10. water drainage pipe(s)

11. cooling water drainage pipe (W)

5.2 POSITIONING

!! The appliance must be installed in a hygienically clean location; it is advisable to avoid rooms like cellars and store-rooms, because failure to meet hygiene requirements is likely to lead to the formation and proliferation of bacteria in the appliance.

The appliance can operate at an ambient temperature of between 10°C and 43°C.

The best performance will be obtained by installing the appliance in a place with an ambient temperature of between 10°C and 35°C and a water temperature of between 3°C and 25°C.

Avoid direct exposure to sunlight and do not install near heat sources.

!! This appliance:

- **must be installed in a place where it can be supervised by skilled personnel.**
- must not be used outdoors.
- must not be installed in damp places or where it is liable to be sprayed with water.
- must not be cleaned with jets of water.
- must be allowed a clearance of least 20 cm all around

!!The appliance must be installed on a bin.

For correct installation on our bins, see the diagrams supplied with the bins. In any event the instructions and advice contained in this manual must be complied with, especially those relating to connection to the electricity and water supply. Use a spirit level to ensure that the appliance is standing perfectly level. If necessary, adjust the legs fitted to our bins.

!! The manufacturer declines all liability for installation on bins made by other manufacturers.

5.3 CONNECTION TO THE WATER MAINS

!! IMPORTANT:

- The appliance must be connected to the water mains by professionally qualified personnel in accordance with the Manufacturer's instructions.
- This appliance must be only be supplied with cold water for human consumption (drinking water).
- The operating pressure must be between 0.1 and 0.6 mpa.
- A tap must be installed between the water mains and the feed pipe of the appliance, so that the water supply may be shut off if necessary.
- Where the feed water is particularly hard, you are advised to install a polyvalent cartridge filter. Any solid particles (e.g. Sand) may be eliminated by installing a mechanical filter, which must be periodically inspected and cleaned. These devices must comply with the standards in force in the Country of use.
- Never turn the water supply tap off when the appliance is working.
- Only new hose-sets supplied with the appliance are to be used to connect the appliance to water mains, old hose-sets should not be reused.

5.3.a FILLING WITH WATER (Fig. 5)

Insert the special seals provided (13) in the two threaded ring nuts (12) of the water supply pipe (8) supplied with the appliance. Without exerting excessive force (otherwise the unions could crack), firmly tighten one of the threaded ring nuts on the outlet of the solenoid valve located in the rear of the appliance. The other threaded ring nut must be screwed to the water tap (8); this too must be provided with a thread.

5.3.b DRAIN (Fig. 5)

Fix the water drain pipe (10) in the housing provided on the rear of the appliance. Make sure that:

- the pipe is a hose
- the internal diameter is 22 mm, as required
- the water drain hose is not throttled at any point throughout its length
- the drain hose slopes downwards by at least 15%

For water-cooled models, connect union (16) to a drain with a water drainage pipe (11).

It is advisable to drain the water straight into an open drain trap.

5.4 CONNECTION TO THE ELECTRICITY MAINS

!! IMPORTANT:

- Models with daily production of 300 kg must be connected to a 32A interlocked receptacle.
- The appliance must be connected to the electricity mains by professionally qualified personnel in accordance with the Manufacturer's instructions.
- Before connecting the appliance to the electricity mains, make sure that the mains voltage rating corresponds to the value indicated on the rating plate.
- Make sure that the appliance is connected to an efficient earthing system.
- Make sure that the capacity of the power supply system suits the maximum power value indicated on the rating plate of the appliance.
- If the appliance comes supplied with a plug, prepare a socket controlled by an omnipolar circuit-breaker (6 in Fig. 4), with a contact-opening gap of not less than 3 mm, that provides full disconnection under overvoltage category III conditions, in accordance with national safety standards currently in force. This switch must be equipped with fuses, with the associated residual current device positioned in such a way as to be readily accessible. Insert the plug into the socket controlled by the switch.
- The plug must only be replaced by professionally qualified and authorized personnel, and the new plug must comply with current national safety standards.
- If the appliance comes supplied without a plug and you wish to connect it permanently to the power supply, prepare an omnipolar circuit-breaker, with a contact-opening gap of not less than 3 mm, that provides full disconnection under overvoltage category III conditions, in accordance with national safety standards currently in force. This switch must be equipped with fuses, with the associated residual current device positioned in such a way as to be readily accessible. This operation must be carried out by a specialized technician.
- Make sure that you fully uncoil the power supply cable and check that it is not crushed in any way.
- Should the supply cable be damaged, it must be replaced by a specialized technician using a special cable available from the Manufacturer or from the Technical Service Centres.

5.5 CONNECTING THERMOSTAT TO BIN

The appliance is fitted with a thermostat, the probe of which must be connected to the bin if the appliance is installed on a bin manufactured by us.

NOTE FOR INSTALLER (Fig. 6):

This operation must only be performed by professionally qualified and authorized personnel.

To access thermostat probe:

- remove rear panel (models with output of 300 kg/24h) or right-hand side panel (models with output of 155 kg/24h)
- release and uncoil probe, taking care not to create any constrictions
- insert probe into hole in baseplate marked by a green arrow
- shape end of capillary tube as shown in Fig. 6 before inserting it into bulb-holding tube of bin, taking care not to damage it

For further details, see the diagrams supplied with our bins.

6 START-UP

6.1 CLEANING INTERNAL PARTS

The appliance will have already been cleaned in the factory. However, you are advised to wash the internal parts again before using the appliance. Make sure that the power supply cable is unplugged before carrying out the above cleaning operation.

See cleaning and sanitizing manual for information regarding cleaning operations.

For cleaning operations in general, use an ordinary detergent for washing dishes or a solution of water and vinegar. Rinse thoroughly with plenty of cold water and remove any ice that may have been produced during the first 5 cycles after cleaning, together with any ice present in the bin. It is advisable to avoid using abrasive detergents or powders, since these might damage the finish.

6.2 START-UP

When you start up the appliance the first time, or when you start it up again after a long period at a standstill, fill the basin manually with water.

This filling operation must be carried out by removing the front panel (Fig. 7), raising the flaps and pouring the water directly into the basin (Fig. 8). In the cycles subsequent to the initial one, the appliance will be filled with water in a fully automatic way.

NOTE FOR MODELS WITH AN OUTPUT OF 300 kg/24h:

In order to fill manually the basins take away right-hand front panel, removing the screws and manually fill both basins.

Once the appliance has been correctly connected to the electricity mains, water mains and water drain system, it can be started up as follows:

- a) turn on the water supply tap (7 in Fig. 4)
- b) insert the plug (if any) in the socket and switch on the power supply by means of the relative switch fitted during the installation phase (6 in Fig. 4)

Switch on appliance by pressing the luminous switch (14 in Fig. 9).

For appliances that are connected permanently to the electricity mains, turn on by means of the switch on the outside of the appliance, fitted during the installation phase.

7 MAIN CAUSES OF OPERATING FAILURE

Should the appliance fail to produce ice, before calling on the Authorized Technical Service Centre, first check carefully that:

- The water supply tap (7 in Fig. 4), fitted during the installation phase, has been turned on.
- Electric power is reaching the appliance; the plug (if any) is properly inserted in the socket, the switch (6 in Fig. 4) is in the "ON" position, and the push button (14 in Fig. 9) is lighted up.

Furthermore:

- If there is excessive noise, make sure that the appliance is not touching furniture or sheet metal which can give rise to noise or vibrations.
- Should any trace of water appear, check the drain hole of the container to ensure that it is not clogged, that the water fill and drain pipes are correctly connected and are not throttled or damaged.
- Make sure that the temperature of the air or water does not exceed the installation limit values (see paragraph 5.2).
- Make sure that the water inlet filter is not clogged (see paragraph 9.1).
- Make sure that the spray nozzles are not clogged with scaly deposits.

If the fault still persists after the above inspections have been made, turn off the electric power source by means of the switch fitted during the installation phase, pull out the plug (if any) from its socket, turn off the tap(s) connecting the appliance to the water mains, and contact the nearest Authorized Technical Service Centre.

To obtain a faster and more efficient reply when you call the Centre, state the model of the appliance precisely, together with its serial number or manufacturing number. This information is given on the serial N° plate (Fig. 1) affixed to the rear of the appliance and on the cover of this instruction manual.

8 OPERATION

The appliance has a thermostat which, when installed as indicated in paragraph 5.5, stops ice production when the ice accumulated in the bin reaches the probe connected to the thermostat. When ice is taken from the bin, the thermostat will automatically reactivate ice-cube production, thus creating a new supply of ice.

Some models are fitted with a safety pressure switch that stops ice production in the event of a malfunction of the cooling circuit; to restart the appliance, firmly press the reset button. If the fault still persists, turn off the electric power source by means of the switch (6 in Fig. 4) fitted during the installation phase, pull out the plug (if any) from its socket, turn off the water supply tap(s) (7 in Fig. 4), and contact the nearest Authorized Technical Service Centre.

NOTE FOR MODELS WITH AN OUTPUT OF 300 kg/24h (Fig. 10):

The appliance is equipped with a safety minimum pressure switch that stops production in the event of a malfunction of the cooling circuit; to restart the appliance, firmly press the reset button. If the fault still persists, turn off the electric power source by means of the switch (6 in Fig. 4) fitted during the installation phase, pull out the plug (if any) from its socket, turn off the water supply tap(s) (7 in Fig. 4), and contact the nearest Authorized Technical Service Centre.

9 MAINTENANCE

9.1 CLEANING THE FILTER OF WATER SUPPLY SOLENOID VALVE (Fig. 11)

⚠ All the operations described in this paragraph must be carried out only after the electric power and water supplies have been disconnected, as described previously, by professionally qualified and authorized personnel.

!! At least every two months, clean the filter (17) located on the water inlet solenoid valve, proceeding as follows:

- **Switch off the electric power supply** by means of the switch (6 in Fig. 4), fitted during installation, and disconnect the plug of the appliance from its socket (if any).
- **Shut off the water supply** by turning the tap (7 in Fig. 4) fitted during installation.
- Unscrew the threaded ring nut (12 in Fig. 5) of the water feed hose, located at the outlet of the solenoid valve at the rear of the appliance.
- Using a pair of pliers, remove the filter (17) from its seat without damaging the water feed pipe connector.
- Place the filter under a strong jet of water to remove residue, but replace the filter if it is excessively dirty.

After having carried out the cleaning operations, refit the filter and hose pipe taking the necessary precautions described earlier in the manual.

When the operations have terminated, turn on both the electricity supply and water supply.

9.2 AIR-COOLED MODELS

For air-cooled models, it is very important to keep the finned condenser and its external filter (if any) clean. Have the finned condenser cleaned at least once every two months by an Authorized Technical Service Centre, which can include this operation in the scheduled maintenance program.

The external filter must be cleaned at least once a month, as follows:

MODELS WITH OUTPUT OF 155 kg/24h (Fig. 12):

- switch off appliance and cut off power supply with the switch (6 in Fig. 4) fitted at the installation stage
- remove filter and keep it at a distance from the appliance
- remove dust from filter by blowing with compressed air
- replace filter in its seat

MODELS WITH OUTPUT OF 300 kg/24h (Fig. 13):

- switch off appliance and cut off power supply with the switch (6 in Fig. 4) fitted at the installation stage
- remove front left-hand panel by unscrewing fixing screws
- remove knob that holds filter in place
- remove filter and keep it at a distance from the appliance
- remove dust from filter by blowing with compressed air
- replace filter in its seat and secure with knob
- refit front left-hand panel, and secure it with screws

9.3 CLEANING AND SANITIZING OPERATIONS

A cleaning and sanitizing kit specifically designed for this appliance is available from your dealer.

!! Do not use corrosive substances to remove limescale from the appliance, because this will invalidate the warranty, and may cause serious damage to the materials and components of the appliance. Do not use jets of water to clean the appliance.

!! All cleaning operations must be carried out only after the electric power and water supplies have been disconnected, as described previously, by professionally qualified and authorized personnel.

Follow the instructions given in the cleaning and sanitizing manual supplied with the appliance.

!! IMPORTANT:

- **All the ice produced during the first 5 cycles after cleaning and sanitizing operations, and any ice already in the bin, must be eliminated.**
- **When the appliance is cleaned and sanitized, its bin must also be cleaned and sanitized.**

Complete sanitizing can only be carried out only by the Authorized Technical Service Centres, and must be done regularly depending on the conditions of use of the appliance, the chemical and physical features of the water, and after every period in which the appliance has remained at a standstill for any length of time.

You are advised to ask your dealer to draw up a scheduled maintenance contract that will cover the following:

- Cleaning the condenser
- Cleaning the filter located on the water supply solenoid valve
- Cleaning the ice container
- Checking the charge of coolant gas
- Checking the operating cycle
- Sanitizing the appliance

10 PERIODS AT A STANDSTILL

If you do not intend to use the appliance for a certain period of time, proceed as follows:

- switch off the electric power source by means of the switch (6 in Fig. 4), and remove the plug of the appliance from its socket (if any)
- shut off the water supply by turning off the water supply tap(s) (7 in Fig. 4)
- empty the internal basin(s) by raising the flaps and removing the overflow pipe(s)
- empty out the pump body/bodies by blowing compressed air into the pipe(s) that supplies water to the sprayer bank(s)
- clean filter of water supply solenoid valve as described in chapter 9.1
- clean filter of air condenser (if any) as described in chapter 9.2

Beste Klant: wij feliciteren u met de keuze van een kwaliteitsproduct, dat zeker aan uw verwachtingen zal beantwoorden. Wij danken u voor de ons verleende voorkeur en nodigen u vriendelijk uit, dit handboek aandachtig door te lezen, alvorens u uw nieuwe automatische modulaire ijsblokjesmaker in gebruik neemt.

1 BELANGRIJKE WAARSCHUWINGEN EN RAADGEVINGEN

Deze handleiding maakt deel uit van de automatische modulaire ijsblokjesmaker (in deze handleiding ook wel eenvoudigweg apparaat genoemd) en moet bewaard worden voor iedere mogelijke raadpleging in de toekomst.

!! Alvorens het apparaat te installeren en te gebruiken, aandachtig de waarschuwingen in deze handleiding doorlezen. Deze waarschuwingen zijn geschreven voor de veiligheid bij de installatie, het gebruik en het onderhoud.

- koppel het apparaat steeds los van het elektriciteitsnet alvorens enige reinigings- of onderhoudswerkzaamheden uit te voeren
- om de efficiënte werking van het apparaat en zijn correcte werking te kunnen garanderen moeten de aanwijzingen van de Fabrikant opgevolgd worden en moet het onderhoud door professioneel gekwalificeerd personeel worden uitgevoerd
- verwijder geen panelen of roosters
- zet geen voorwerpen op het apparaat of voor de luchtroosters
- til het apparaat altijd op om het te verplaatsen, ook al is het over een kleine afstand, duw of sleep het vooral niet aan
- ieder ander gebruik van het apparaat dan het maken van ijsblokjes met koud drinkwater, moet als een onjuist gebruik beschouwd worden
- bedek de luchtroosters en de warmteverspreidingsroosters niet daar door een slechte ventilatie niet alleen het rendement afneemt en het apparaat niet goed kan werken, maar ook ernstige schade aan het apparaat aangericht kan worden
- bij defect en/of slechte werking van het apparaat moet het losgekoppeld worden van het elektriciteitsnet via de schakelaar voorzien tijdens de installatiefase, moet u de stekker (indien voorzien) uit het stopcontact trekken en de watertoevoerkraan sluiten. Voer nooit herstellingen of directe interventies uit en wend u uitsluitend tot professioneel gekwalificeerd personeel
- het aanbrengen of laten aanbrengen van wijzigingen op dit apparaat doet alle vormen van garantie vervallen en kan tevens erg gevaarlijk zijn
- open en sluit de klep voorzichtig zonder ermee te slaan
- gebruik de ijsbak niet om eten of drinken af te koelen of te bewaren daar hierdoor de afvoer verstopt zou kunnen raken waardoor de bak zelf vol raakt en er water uit loopt
- neem bij defecten contact op met de verdeler die u het apparaat heeft verkocht. Hij zal u het dichtstbijzijnde Bevoegde Servicecentrum aanduiden. Wij raden u aan steeds originele vervangstukken te eisen
- mogelijke waarschuwingen of schema's horende bij speciale modellen worden geleverd in bijlage aan de handleiding

!! Bij het gebruik van dit elektrische apparaat moeten enkele fundamentele regels in acht genomen worden, en in het bijzonder:

- niet met natte of vochtige handen of voeten aanraken
- niet gebruiken, wanneer u op blote voeten loopt
- geen verlengsnoeren in bad- of doucheruimtes gebruiken
- niet aan de elektriciteitskabel trekken, om het apparaat van het elektriciteitsnet los te schakelen
- het apparaat kan worden gebruikt door kinderen van leeftijd niet jonger dan 8 jaar en mensen met een beperkte fysieke, zintuiglijke of geestelijke vermogens, of die gebrek aan ervaring en de nodige kennis, mits onder toezicht, of nadat deze zelfde hebben ontvangen over het veilig gebruik van het apparaat en het begrip van de gevaren daarvan. Kinderen mogen niet spelen met het apparaat
- toezicht houden over kinderen zodat ze niet met het apparaat kunnen spelen

Als u besluit het apparaat niet meer te gebruiken, wordt er aanbevolen het buiten werking te stellen door de elektriciteitskabel door te knippen (nadat u de stekker uit het stopcontact getrokken heeft).

Bovendien wordt er aanbevolen:

- de klep eraf te breken om te voorkomen dat in de buurt spelende kinderen klem zouden kunnen raken
- te vermijden dat het koelgas en de olie uit de compressor in het milieu vrijkomen
- ervoor te zorgen dat het materiaal volgens de landelijk geldende voorschriften afgevoerd of gerecycleerd wordt



Dit symbool duidt aan dat dit product niet valt onder de categorie huishoudelijk afval. Om het milieu en uw gezondheid te beschermen moet u ervoor zorgen dat dit product correct wordt weggegooid en gerecycleerd. Voor meer informatie over de afvalverwerking en recyclage van dit product moet u contact opnemen met uw verdeler of de dienst afvalverwerking.

Dit apparaat bevat geen koelmiddel dat een gevaar voor de ozonlaag vormt. Bevat onder het Protocol van Kyoto vallende gefluoreerde broeikasgassen. Het product is hermetisch verzegeld.

!! Een verkeerde installatie kan schade aan het milieu en aan dingen of letsel aan personen of dieren veroorzaken waarvoor de Fabrikant niet aansprakelijk gesteld kan worden.

2 TECHNISCHE GEGEVENS (Fig. 1)

De spannings- en frequentiewaarden zijn op de naamplaat aangegeven. U kunt deze, voor eventueel onderzoek of controle, raadplegen.

Spanning (1), vermogen (2), model (3), registratienummer (4), Fabrikant (5).

Het doorlopende gelijkwaardig op A afgewogen geluidsdrukkniveau van dit apparaat is lager dan 70 dB(A). De metingen zijn tijdens een hele productiecycclus op een afstand van 1 meter van het oppervlak van het apparaat en op een hoogte van 1,60 meter van de vloer verricht.

Het elektrisch schema is op het achterpaneel van het apparaat aangebracht.

3 NUTTIGE AANWIJZINGEN VOOR HET VERVOER

Het netto en bruto gewicht van dit apparaat zijn op de omslag van deze handleiding aangegeven. Op de verpakking staat hoe het apparaat op de juiste wijze te vervoeren en op te heffen.

Om te verhinderen dat de zich in de compressor bevindende olie in het koelcircuit stroomt, dient u het apparaat uitsluitend in verticale stand te vervoeren, op te slaan en te verplaatsen, waarbij u de op de verpakking aangegeven aanwijzingen in acht moet nemen.

4 UITPAKKEN

Het apparaat moet geïnstalleerd worden in overeenstemming met de landelijk geldende normen, volgens de instructies van de Fabrikant en door erkend en vakbekwaam personeel.

Nadat u de verpakking verwijderd heeft zoals op de doos aangegeven is, MOET U ER ZICH VAN VERZEKEREN DAT HET APPARAAT COMPLEET IS. IN GEVAL VAN TWIJFEL HET APPARAAT NIET GEBRUIKEN EN CONTACT OPNEMEN MET DE VERKOPER.

Al het verpakkingsmateriaal (plastic zakken, karton, schuimplastic, spijkers, enz.) mag niet binnen bereik van kinderen achtergelaten worden daar dit een gevaar kan vormen.

Als de pallet volledig op de grond rust, moet u de schroeven waarmee het apparaat aan de houten pallet bevestigd is (indien aanwezig) (Fig. 2) losschroeven en het apparaat met speciale aan het gewicht aangepaste hijsmiddelen optillen van de houten pallet.

OPMERKING VOOR DE INSTALLATEUR (ENKEL MODEL MET PRODUCTIE VAN 300 kg/24h):

Deze handeling mag enkel uitgevoerd worden door professioneel gekwalificeerd en bevoegd personeel. De apparaten zijn voorzien met speciale openingen met schroefdraad voor bevestiging van de oogbouten (Fig. 3).

Om schade aan het apparaat te vermijden raden wij aan om de trekstangen voor ophijsing verticaal te houden tijdens de ophijsing.

5 INSTALLATIE

5.1 VERBINDINGSSHEMA (Fig. 4)

6. elektriciteitsaansluiting bestuurd door meerpolige differentieel schakelaar
7. watertoevoerkraan/-kranen
8. watertoevoerslang voor ijsproductie
9. watertoevoerslang voor watercondensatie (W)
10. waterafvoerslang(en)
11. waterafvoerslang condensatie (W)

5.2 PLAATSING

!! Het apparaat moet geïnstalleerd worden in een omgeving die vanuit een hygiënisch standpunt schoon is. Vermijd derhalve kelders of opbergruimtes: indien de hygiënische normen niet gerespecteerd worden zal dit de vorming en groei van bacteriën in het apparaat bevorderen.

Het apparaat kan werken bij een omgevingstemperatuur tussen 10°C en 43°C.

De beste prestatie verkrijgt men door installatie van het apparaat bij een omgevingstemperatuur tussen 10°C en 35°C en watertemperatuur tussen 3°C en 25°C.

Vermijd rechtstreekse blootstelling aan zonnelicht en de nabijheid van warmtebronnen.

!! Dit apparaat:

- **moet geïnstalleerd worden op een plaats waar het gecontroleerd kan worden door gekwalificeerde personeel**
- mag niet buiten gebruikt worden
- mag niet in vochtige ruimtes of in de buurt van waterstralen geplaatst worden
- mag niet schoongemaakt worden met waterstralen
- moet minstens 20 cm. van de zijwanden af geplaatst worden

!! Het apparaat moet op een bak geïnstalleerd worden.

Raadpleeg voor een correcte installatie op de speciaal voorziene door ons geproduceerde bakken de bij deze bakken zelf geleverde schema's.

In elk geval moeten de instructies en waarschuwingen uit deze handleiding gerespecteerd worden, in het bijzonder voor wat de aansluiting op het elektriciteitsnet en de waterleiding betreft. Controleer met een waterpas of het apparaat perfect horizontaal staat. Mogelijke regelingen kunnen uitgevoerd worden op de steunvoetjes waarmee de door ons geproduceerde bakken uitgerust zijn.

!! De fabrikant is niet verantwoordelijk voor de installatie op bakken die niet door haarzelf geproduceerd werden.

5.3 AANSLUITING OP DE WATERLEIDING

!! BELANGRIJK:

- de aansluiting op de waterleiding moet volgens de aanwijzingen van de Fabrikant door vakbekwaam personeel uitgevoerd worden
- dit apparaat mag uitsluitend met koud drinkwater gebruikt worden
- de bedrijfsdruk moeten tussen de 0,1 en 0,6 MPa liggen
- tussen de waterleiding en de toevoerslang van het apparaat moet op zodanige wijze een kraan gemonteerd worden dat in geval van nood de watertoevoer afgesloten kan worden
- in geval van bijzonder kalkrijk leidingwater is het aanbevolen een polyvalent cartridge filter te installeren. De aanwezigheid van vaste stoffen (zoals zand, enz.) kan verhinderd worden door de installatie van een mechanisch filter, dat van tijd tot tijd gecontroleerd en gereinigd moet worden. Deze inrichtingen moeten in overeenstemming zijn met de landelijk hiervoor geldende voorschriften
- draai nooit de kraan voor de watertoevoer dicht als het apparaat in werking is
- voor de aansluiting op het lichtnet watervoorziening gebruik alleen de nieuwe buizen meegeleverd met het apparaat, gebruik geen oude leidingen of een eerder gebruikte

5.3.a TOEVOER (Fig. 5)

Plaats in de twee draadringen (12) in de watertoevoerslang (8), die bij het apparaat geleverd is, de speciale afdichtingen (13). Schroef een draadring stevig, maar niet te strak, ter voorkoming van barsten in de verbindingstukken, op de uitgang van de elektromagneetklep, die zich aan de achterzijde van het apparaat bevindt en de andere draadring op de waterkraan (7), die ook van schroefdraad voorzien is. Voor de modellen met watercondensatie moet het koppelstuk (15) aan een kraan (7) aangesloten worden met een watertoevoerslang (9).

5.3.b AFVOER (Fig. 5)

Bevestig elke waterafvoerslang (10) op de plaats daarvoor aan de achterkant van het apparaat en controleer of:

- de slang van het flexibele type is
- de binnendiameter zoals voorgeschreven 22 mm. is
- er over de hele lengte van de afvoerslang geen vernauwingen zijn
- de afvoerslang een hellingshoek van minstens 15% heeft

Voor de modellen met watercondensatie moet het koppelstuk (16) aangesloten worden op een afvoer met een waterafvoerslang (11). Het beste is, ervoor te zorgen dat de afvoer direct in open sifon plaatsvindt.

5.4 AANSLUITING OP HET ELEKTRICITEITSNET

!! BELANGRIJK:

- de modellen met dagelijkse productie van 300 kg moeten aangesloten zijn op een vergrendelbaar contact met draagkracht van 32A.
- de aansluiting op het elektriciteitsnet moet uitgevoerd worden door professioneel gekwalificeerd en bekwaam gesteld personeel, volgens de normen geldig in het land van gebruik
- controleer, alvorens het apparaat op het elektriciteitsnet aan te sluiten, of de spanning van het elektriciteitsnet overeenstemt met die op de plaat
- verzeker u ervan dat het apparaat met een goed geaarde installatie verbonden wordt
- controleer of het elektrische vermogen van de installatie afgestemd is op het op de plaat aangegeven maximale vermogen van het apparaat
- indien het apparaat geleverd wordt zonder stekker moet u voorzien in een geschikt, door een alpolige schakelaar (6 Fig. 4) geregeld stopcontact, met een openingsafstand tussen de contacten gelijk aan of groter dan 3 mm, waarmee de complete loskoppeling in omstandigheden van overspanning categorie III, volgens de nationaal geldende veiligheidsvoorschriften, dat uitgerust is met zekeringen, met een aangekoppeld differentieel en zodanig geplaatst, dat hij makkelijk bereikbaar is
- u kunt de stekker door erkend en vakbekwaam personeel laten vervangen, mits de stekker aan de landelijk geldende veiligheidsvoorschriften voldoet

- indien het apparaat zonder stekker geleverd wordt en u het op permanente wijze met het elektriciteitsnet wilt verbinden, moet u een alpolige schakelaar aanleggen, met een openingsafstand tussen de contacten gelijk aan of groter dan 3 mm, waarmee de complete loskoppeling in omstandigheden van overspanning categorie III, volgens de landelijk geldende veiligheidsvoorschriften, uitgerust met zekeringen, met een aangekoppeld differentieel en zodanig geplaatst, dat hij makkelijk bereikbaar is. Dit moet door een gespecialiseerd technicus gedaan worden
- er wordt aanbevolen de elektriciteitskabel over zijn hele lengte uit te rollen en daarbij te controleren dat hij geenszins platgedrukt wordt
- indien de elektriciteitskabel beschadigd is, moet hij door een speciale elektriciteitskabel, die alleen bij de Fabrikant of bij de Bevoegde Servicecentra verkrijgbaar is, vervangen worden, door vakbekwaam personeel.

5.5 AANSLUITING VAN DE THERMOSTAAT OP DE BAK

Het apparaat is uitgerust met een thermostaat met een sonde die bij installatie van het apparaat op een door ons geproduceerde bak aangesloten moet worden op deze bak.

!! OPMERKING VOOR DE INSTALLATEUR (Fig. 6):

Deze handeling mag enkel uitgevoerd worden door professioneel gekwalificeerd en bevoegd personeel.

Schakel de thermostaatsonde als volgt aan:

- verwijder het achterpaneel (modellen met een productie van 300 kg/24h) of het rechter zijpaneel (modellen met een productie van 155 kg/24h)
- maak de sonde vrij en draai ze om zonder vernauwingen te veroorzaken
- plaats de sonde in de opening met de groene pijl op de basisplaat
- bewerk het uiteinde van het capillaire buisje zoals geïllustreerd in Fig. 6, alvorens het in de sondebuis van het reservoir te stoppen. Zorg ervoor dat het niet beschadigd wordt.

Voor meer informatie verwijzen wij naar de schema's die door ons geleverd werden samen met onze bakken.

6 START

6.1 REINIGING VAN DE INTERNE DELEN

Het apparaat is reeds in de fabriek schoongemaakt. Wij raden echter aan, de binnenkant voor het gebruik nog eens af te wassen, waarbij u zich ervan moet verzekeren dat de elektriciteitskabel niet aangesloten is.

Raadpleeg de handleiding voor reiniging en ontsmetting voor alle nodige informatie over de schoonmaakwerkzaamheden.

Voor het schoonmaken kunt u een normaal afwasmiddel of een oplossing van water en azijn gebruiken; hierna zorgvuldig en overvloedig met koud water naspoeien en het ijs gevormd tijdens de eerste vijf cycli na de schoonmaakbeurt verwijderen, plus het ijs dat eventueel reeds aanwezig was in de bak.

Het gebruik van schuurmiddelen of schuurpoeder wordt afgeraden daar hierdoor de afwerkingselementen zouden kunnen beschadigen.

6.2 START

Als het apparaat voor het eerst gestart wordt of na een tijd van buitengebruikstelling opnieuw wordt aangezet, moet u het reservoir handmatig vullen met water.

Voor het vullen moet u het voorpaneel verwijderen (Fig. 7), door optilling van de vlaggetjes en door het water rechtstreeks in het reservoir te gieten (Fig. 8). Bij de volgende cycli wordt het water volledig automatisch toegevoerd.

OPMERKING VOOR DE MODELLEN MET PRODUCTIE VAN 300 kg/24h:

Voor het handmatig vullen van het water moet het rechter voorpaneel verwijderd worden door de bevestigingsschroeven te verwijderen. De reservoirs van beide verdamperen moeten manueel gevuld worden.

Nadat het apparaat correct op het elektriciteitsnet, op de waterleiding en op het waterafvoersysteem werd aangesloten kan het als volgt opgestart worden:

- a) draai de kraan/kranen (7 Fig. 4) voor watertoevoer open
- b) steek de stekker in het stopcontact (indien voorzien) en schakel de stroom in door middel van de schakelaar (6 Fig. 4) die bij de installatie speciaal daarvoor gemonteerd is

Start het apparaat op door de schakelaar met lampje (14 Fig. 9) in te drukken.

Voor de apparaten die permanent met het elektriciteitsnet verbonden zijn, de stroom inschakelen door op de buiten het apparaat gelegen schakelaar te drukken, die hier bij de installatie speciaal voor gemonteerd is.

7 VOORNAAMSTE STORINGSOORZAKEN

Indien het ijs niet geproduceerd wordt, is het nuttig, alvorens het Bevoegde Servicecentrum te hulp te roepen, te controleren of:

- de watertoevoerkraan/kranen (7 Fig. 4) die bij de installatie gemonteerd werd(en), open staat/staan
- de elektriciteit niet uitgevallen is, de stekker (indien voorzien) goed in het stopcontact zit, de schakelaar (6 Fig. 4) op de stand "AAN" staat en de knop (14 Fig. 9) verlicht is

Bovendien:

- als het apparaat te veel lawaai maakt, controleren of het niet in aanraking staat met meubels of metaalplaten waardoor lawaai of trillingen veroorzaakt zouden kunnen worden
- als u waterlekken opmerkt, controleren of de afvoeropening van de bak niet verstopt is, of de watertoe- en afvoerslangen goed verbonden zijn en of er geen vernauwingen of beschadigingen in aanwezig zijn
- controleer of de temperatuur van de lucht of van het water de grenswaarden voor de installatie (zie paragraaf 5.2) niet overschrijdt
- controleer of de filter in de watertoevoer niet verstopt is (zie paragraaf 9.1)
- controleer of de sproeiers niet door kalkaanslag verstopt zijn

Als na de bovenbeschreven controles uitgevoerd te hebben, de storing aanhoudt, kunt u het beste het apparaat van de elektriciteit los schakelen door middel van de tijdens de installatie gemonteerde schakelaar, de stekker (indien voorzien) uit het stopcontact trekken, de waterleidingkraan dicht draaien en contact opnemen met het dichtstbijzijnde Bevoegde Servicecentrum.

Voor een snelle en doeltreffende service is het belangrijk, wanneer u opbelt, nauwkeurig het model, het registratienummer of het bouwnummer te vermelden; deze gegevens staan op de naamplaat (Fig. 1) van het apparaat en op de omslag van deze handleiding.

8 WERKING

Het apparaat is voorzien van een thermostaat, die wanneer hij geïnstalleerd werd zoals beschreven in paragraaf 5.5, de productie stopt wanneer de hier op aangesloten sonde contact maakt met het in de ijsbak opgehoopte ijs. Als er ijs uit de bak verwijderd wordt, activeert de thermostaat de productie weer, waardoor er een nieuwe voorraad ijs gemaakt wordt.

Sommige modellen zijn uitgerust met een veiligheidsdrukwachter die de productie stopt bij storingen aan het koelcircuit; om het apparaat terug op te starten moet u de resetknop volledig indrukken. Mocht de storing aanhouden, dan moet het apparaat van het elektriciteitsnet losgekoppeld worden door middel van de schakelaar (6 Fig. 4) voorzien tijdens de installatiefase, de watertoevoerkraan/kranen (7 Fig. 4) gesloten worden en contact opgenomen worden met het dichtstbijzijnde geautoriseerd Bijstandcentrum.

OPMERKING VOOR DE MODELLEN MET PRODUCTIE VAN 300 kh/24h (Fig. 10):

Het apparaat is uitgerust met een drukschakelaar de minimumdruk voor de veiligheid die de productie stopt bij storingen aan het koelcircuit; om het apparaat te resetten moet u de restknop volledig indrukken. Mocht de storing aanhouden, dan moet het apparaat van het elektriciteitsnet losgekoppeld worden door middel van de schakelaar (6 Fig. 4) voorzien tijdens de installatiefase, de watertoevoerkraan/kranen (7 Fig. 4) gesloten worden en contact opgenomen worden met het dichtstbijzijnde geautoriseerd Bijstandcentrum.

9 ONDERHOUD

9.1 REINIGING FILTER ELEKTROMAGNEETKLEP VOOR WATERTOEVOPER (Fig. 13)

⚠ Alle in deze paragraaf beschreven werk mogen pas uitgevoerd worden nadat professioneel bekwaam gesteld en gekwalificeerd personeel volgens de hiervoor beschreven handelingen de elektriciteit en de watertoevoer afgesloten heeft.

!! Reinig om de twee maanden de filter (17) op de elektromagneetklep van de watertoevoer door als volgt te werk te gaan:

- haal de stroom van het apparaat door middel van de speciale schakelaar (6 Fig. 4) die tijdens
 - de installatie gemonteerd is en trek de stekker uit het stopcontact
- stop de watertoevoer door middel van de speciale kraan (7 Fig. 4) die tijdens de installatie gemonteerd is
- draai de draadring (12 Fig. 5) van de watertoevoerslang los die zich op de uitgang uit de elektromagneetklep bevindt in de achterkant van het apparaat.
- verwijder met behulp van een pincet de filter (17) van zijn plaats zonder de verbinding van de watertoevoerslang te beschadigen
- verwijder eventuele resten door de filter onder een waterstraal te houden; als het te vuil is moet u het vervangen

Na de filter schoon gemaakt te hebben moet u de filter en de watertoevoerslang weer monteren; volg hierbij de waarschuwingen die reeds in het begin van deze handleiding vermeld zijn.

Na bovenstaande handeling voltooid te hebben, de elektrische stroom en de watertoevoer weer activeren.

9.2 MODELLEN MET LUCHTVERDICHTING (Fig. 14)

Voor de modellen met luchtverdichting is het bijzonder belangrijk de koelvincondensator en de bijbehorende buitenfilter (indien aanwezig) schoon te houden. U dient de koelvincondensator minstens iedere 2 maanden door een Bevoegd Servicecentrum te laten reinigen, dat deze handeling in de normale onderhoudswerkzaamheden kan opnemen.

De buitenfilter moet als volgt, minstens 1 maal per maand, schoongemaakt worden:

MODELLEN MET PRODUCTIE VAN 155 kg/24h (Fig. 12):

- stop het toestel en koppel de elektriciteitstoevoer los via de schakelaar (6 Fig. 4) voorzien tijdens de installatie
- verwijder de filter en houd hem uit de buurt van het apparaat
- verwijder het stof uit de filter met perslucht
- plaats de filter terug in zijn invoegplaats

MODELLEN MET EEN PRODUCTIE VAN 300 kg/24h (Fig. 13):

- stop het toestel en koppel de elektriciteitstoevoer los via de schakelaar (6 Fig. 4) voorzien tijdens de installatie
- verwijder het linker voorpaneel door de bevestigingsschroeven te verwijderen
- draai de knop los die de filter blokkeert
- verwijder de filter en houd hem uit de buurt van het apparaat
- verwijder het stof uit de filter met perslucht
- plaats de filter terug in zijn invoegplaats en blokkeer hem met de knop
- monteer het linker voorpaneel terug en bevestig het met de schroeven

9.3 REINIGING EN ONTSMETTING

Bij uw verkoper kan u een speciaal voor dit apparaat bestemd kit voor schoonmaak en ontsmetting verkrijgen.

!! Gebruik geen bijtende stoffen om kalkresten te verwijderen uit het toestel: hierdoor vervalt de garantie en kan u ernstige schade berokkenen aan de materialen en onderdelen van het toestel.

Gebruik geen waterstralen om het apparaat schoon te maken.

!! Alle reinigingswerkzaamheden mogen pas uitgevoerd worden nadat professioneel bekwaam gesteld en gekwalificeerd personeel volgens de hiervoor beschreven handelingen de elektriciteit en de watertoevoer afgesloten heeft.

Houd u aan de instructies vermeld in de handleiding voor reiniging en ontsmetting bijgeleverd bij dit apparaat.

!! BELANGRIJK:

- al het ijs gevormd tijdens de eerste vijf cycli na de schoonmaak- en ontsmettingsbeurt moet verwijderd worden, plus het ijs dat eventueel reeds aanwezig was in de bak.
- gelijktijdig met de schoonmaak en ontsmetting van het apparaat moet u tevens de bijbehorende bak schoonmaken en ontsmetten.

De volledige ontsmetting kan echter uitsluitend door de Bevoegde Servicecentra uitgevoerd worden en moet zo vaak als nodig is herhaald worden, afhankelijk van de gebruiksomstandigheden van het apparaat, van de chemische en fysische eigenschappen van het water en na iedere periode van buitenwerkingstelling van het apparaat.

Wij raden u aan de Verkoper, die u dit apparaat verkocht heeft, te vragen om een periodiek onderhoudscontract, dat voorziet in:

- het reinigen van de condensator
- het reinigen van het op de elektromagneetklep geplaatste filter voor de watertoevoer
- het reinigen van de ijsbak
- de controle van het koelgas
- de controle van de functioneringscyclus
- de ontsmetting van het apparaat

10 BUITENWERKINGSTIJDEN

Als u voorziet dat het apparaat een bepaalde periode niet gebruikt zal worden, moet u:

- de stroomtoevoer door middel van de speciale schakelaar (6 Fig. 4) die tijdens de installatie gemonteerd is afzetten en de stekker uit het stopcontact (indien voorzien) trekken
- de watertoevoer afsluiten door middel van de kraan (7 Fig. 4) die tijdens de installatie gemonteerd is
- de binnenreservoir(s) ledigen door de vlaggetjes op te tillen en de overloopbuis/-buizen er uit te trekken
- het pomphuis van de pomp(en) leeg laten lopen door met perslucht in de watertoevoerslang(en) naar de sproei-inrichting(en) te blazen
- maak de filter van de elektromagnetische klep voor watertoevoer schoon zoals beschreven in hoofdstuk 9.1
- maak de filter van de luchtcondensor (indien aanwezig) schoon zoals beschreven in hoofdstuk 9.2

Sehr geehrter Kunde, Sie haben sich für ein Qualitätsprodukt entschieden, das mit Sicherheit Ihre Erwartungen erfüllen wird. Wir danken Ihnen für diese Wahl und möchten Sie bitten, diese Bedienungsanleitung gründlich zu lesen, bevor Sie Ihren neuen modularen Eiswürfelbereiter in Betrieb nehmen.

1 WICHTIGE ALLGEMEINE HINWEISE UND RATSCHLÄGE

Die vorliegende Bedienungsanleitung ist Bestandteil des automatischen modularen Eiswürfelbereiters (im Folgenden zur Vereinfachung als Gerät bezeichnet) und muss unbedingt sorgfältig aufbewahrt werden, damit Sie zu jedem Zeitpunkt darin nachschlagen können. Im Fall des Verkaufs oder der Weitergabe des Geräts an Dritte muss diese Bedienungsanleitung ebenfalls dem neuen Benutzer ausgehändigt werden, damit sich dieser über die Funktionsweise und die Anleitung zur Inbetriebnahme unterrichten kann.

!! Bevor Sie das Gerät aufstellen und benutzen, sollten Sie alle in dieser Bedienungsanleitung enthaltenen Hinweise gründlich gelesen haben. Diese Hinweise ermöglichen eine sichere Aufstellung, Bedienung und Wartung des Gerätes.

- Immer das Gerät vom Stromnetz trennen, bevor irgendeine Reinigungs- oder Wartungsarbeit vorgenommen wird
- Um ein korrektes Funktionieren und eine hohe Leistung des Geräts zu garantieren, ist es erforderlich, dass Sie alle Hinweise des Herstellers beachten und Wartungsarbeiten nur von dafür qualifiziertem Fachpersonal ausführen lassen
- Schutzgitter oder Blechtafeln dürfen nicht abgenommen werden
- Keine Gegenstände auf das Gerät stellen oder vor die Lüftungsgitter legen
- Das Gerät auch für kleinere Transporte immer heben. Es darf nicht geschoben oder gezogen werden
- Jede Benutzung des Gerätes, die nicht der Produktion von Eiswürfeln aus kaltem Trinkwasser bestimmt ist, ist als bestimmungswidrig zu betrachten
- Die Lüftungs- und Wärmeableitungsgitter nicht verstopfen, weil eine schlechte Lüftung nicht nur zur verringerten Leistung führt, sondern auch schwere Schäden am Gerät zur Folge haben kann
- Bei Störungen und/oder Fehlbetrieb des Geräts ist es vom Stromnetz zu trennen, indem man den Schalter betätigt, der bei der Installation vorgesehen worden ist, und dann den Stecker (wenn vorgesehen) des Gerätes aus der Netzsteckdose zieht, den Wasserhahn absperrt. Keine eigenmächtigen Reparaturen oder sonstige Eingriffe versuchen, sondern wenden Sie sich ausschließlich an qualifiziertes Fachpersonal
- Werden Änderungen am Gerät vorgenommen oder der Versuch dazu gemacht, entstehen schwerwiegende Gefahrensituationen. Außerdem erlischt hierdurch jede Form des Garantieanspruchs
- Die Klappe vorsichtig öffnen und schließen und nicht zuschlagen lassen
- Der Eisbehälter darf nicht zur Aufbewahrung oder Kühlung von Speisen oder Getränken verwendet werden. Dies kann eine Verstopfung des Wasserablaufs bewirken, was ein Auffüllen des Behälters und ein nachfolgendes Überlaufen zur Folge hätte
- Sollten Störungen auftreten, so kann Ihr Fachhändler den für Ihren Wohnort zuständigen autorisierten Kundendienst nennen. Wir empfehlen Ihnen dringend, ausschließlich Originalersatzteile zu verlangen
- Eventuelle Hinweise oder Übersichten zu Sonderausführungen finden sich im Anhang dieser Bedienungsanleitung

Die Benutzung dieses elektrisch betriebenen Geräts setzt die Beachtung einiger grundlegender Vorsichtsmaßnahmen voraus, wie insbesondere:

- Nicht mit nassen oder feuchten Händen oder Füßen anfassen
- Nicht benutzen, wenn man barfuß ist
- In Räumen, die zum Baden oder Duschen benutzt werden, keine Verlängerungsschnur verwenden
- Nicht an der Geräteschnur ziehen, um das Gerät vom Stromnetz zu trennen
- Das Gerät kann von Kindern ab 8 Jahren und Personen mit eingeschränkten physischen, sensorischen oder geistigen Fähigkeiten oder mangels Erfahrung oder Kenntnisse erforderlich, unter Überwachung vorgesehen verwendet werden, oder nachdem sie die gleichen Anweisungen für alle erhalten haben sorgen für sicheren Betrieb und das Verständnis der Gefahren, die in ihm. Kinder sollten nicht mit dem Gerät spielen. Die Reinigungs- und Wartungsarbeiten vorgesehen, die vom Benutzer durchgeführt werden sollen, die nicht von Kindern ohne Aufsicht durchgeführt werden
- Die Kinder überwachen, damit sie nicht mit dem Gerät spielen

Falls Sie das Gerät nicht länger benutzen möchten, sollten Sie es durch Abschneiden des Anschlusskabels vollkommen betriebsunfähig machen (nachdem Sie vorher das Kabel vom Stromnetz getrennt haben).

Bitte beachten Sie hierzu außerdem:

- Die Klappe sollte vollständig entfernt werden, damit das Gerät keine Gefahr für Kinder darstellen kann. Kinder könnten damit spielen und darin eingeschlossen werden
- Der Kompressor enthält Schmieröl und ein Kältemittel, welche ordnungsgemäß entsorgt werden müssen. Sie dürfen nicht in die Umwelt gelangen
- Eine Entsorgung und Rückgewinnung zur Wiederverwendung aller sonstigen Materialien ist unter Einhaltung der geltenden nationalen Gesetze durchzuführen



Dieses Symbol bedeutet dass dieses Produkt nicht als Haushaltsmüll behandelt werden darf. Um potentiellen negative Wirkungen für dem Umwelt und die Gesundheit zu verhüten, vergewissern Sie sich, dass dieses Produkt ordnungsgemäß entsorgt und wieder verwertet wird. Zwecks weiterer Informationen zur Entsorgung und zum Recycling dieses Produktes setzen Sie sich mit Ihrem Lieferanten oder dem Abfallbeseitigungsservice in Verbindung.

Das in diesem Gerät enthaltene Kältemittel schädigt nicht die Ozonschicht. Enthält vom Kyoto-Protokoll erfasste fluorierte Treibhausgase. Das Produkt ist hermetisch versiegelt.

!! Eine falsche Installation kann die Umwelt, Tiere, Personen oder Dinge beschädigen. Der Hersteller übernimmt keine Haftung für derartige Vorkommnisse.

2 TECHNISCHE DATEN (Abb. 1)

Die Werte von Betriebsspannung und -frequenz stehen auf dem Typenschild. Auf dieses ist für alle Prüfungen oder Feststellungen Bezug zu nehmen.

Spannung (1), Leistung (2), Modell (3), Seriennummer (4), Hersteller (5).

Der gewichtete äquivalente Dauerschalldruckpegel dieses Gerätes liegt unter 70 dB(A). Die Messungen wurden in einem Meter Abstand vom Gerät und in 1,60 Meter Höhe über dem Boden während eines gesamten Produktionszyklus durchgeführt.

Der elektrische Schaltplan ist auf der Rückwand des Geräts angebracht.

3 WICHTIGE HINWEISE ZUM TRANSPORT

Nettogewicht sowie Bruttogewicht des Geräts sind auf der Umschlagseite der vorliegenden Bedienungsanleitung angegeben. Auf der Verpackung stehen alle Anweisungen für korrekte Handhabung und richtiges Heben.

Damit das im Kompressor befindliche Öl nicht in den Kühlkreislauf gelangt, darf der Gerät ausschließlich aufrecht stehend transportiert, bewegt und gelagert werden. Hierzu sind die auf der Verpackung befindlichen Kennzeichnungen zu beachten.

4 AUSPACKEN

Die Installation muss gemäß der geltenden nationalen Bestimmungen, nach den Vorschriften des Herstellers und durch befugtes und qualifiziertes Personal vorgenommen werden.

Nach Entfernen der Verpackung VERGEWISSERN SIE SICH BITTE, DASS DAS GERÄT UNBESCHÄDIGT IST. IM ZWEIFELSFALL SOLLTEN SIE DAS GERÄT NICHT IN BETRIEB NEHMEN, SONDERN IHREN FACHHÄNDLER VERSTÄNDIGEN.

Die Teile der Verpackung (Plastikbeutel, Karton, Schaumstoff, Nägel etc.) dürfen nicht in der Reichweite von Kindern aufbewahrt werden, weil sie eine mögliche Gefahrenquelle darstellen.

Wenn die Palette ganz am Boden steht, die Schrauben (wenn vorhanden), die das Gerät an der Palette verankern (Abb. 2), losdrehen, das Gerät mit einem zum hebenden Gewicht passenden Hebezeug heben und von der Palette trennen.

ANMERKUNG FÜR DEN INSTALLATEUR (NUR MODELL MIT PRODUKTION VON 300 kg/24h):

Dieser Arbeitsvorgang darf nur von professionell befugtem und qualifizierten Fachpersonal durchgeführt werden. Die Geräte sind mit speziellen Gewindelöchern zum Ankoppeln von Transportösen ausgestattet (Abb. 3).

Um das Gerät nicht zu beschädigen, empfiehlt man, die Hebestangen während des Hebevorgangs vertikal zu halten.

5 INSTALLATION

5.1 ANSCHLUSSPLAN (Abb. 4)

6. Stromanschluss durch allpoligen Schalter mit Differentialschutz
7. Absperrhahn/Absperrhähne Wasserzufuhr
8. Wasserzuleitungsschlauch für Eisproduktion
9. Wasserzuleitungsschlauch zur Wasserkondensation (W)
10. Wasserablaufschlauch/-schläuche
11. Wasserablaufschlauch der Kondensation (W)

5.2 AUFSTELLUNG

!! Das Gerät muss in hygienisch sauberen Räumen aufgestellt werden; man vermeide also Räumlichkeiten wie Keller oder Abstellräume, denn das Nichteinhalten der hygienischen Erfordernisse begünstigt die Bildung und die Verbreitung von Bakterien im Inneren des Gerätes.

Das Gerät kann bei einer Raumtemperatur zwischen 10°C und 43°C funktionieren. Die besten Leistungen werden erzielt, wenn man das Gerät bei einer Raumtemperatur zwischen 10°C und 35°C und bei einer Wassertemperatur zwischen 3°C und 25°C benutzt.

Direkte Sonneneinstrahlung und die Nähe von Wärmequellen vermeiden.

Dieses Gerät:

- **Muss an Orten aufgestellt werden, wo es von einer qualifizierten Person überwacht werden kann**
- Darf nicht im Freien betrieben werden
- Darf nicht in feuchten bzw. durch Spritzwasser gefährdeten Räumen aufgestellt werden
- Darf nicht mit Wasserstrahlen gereinigt werden
- Muss auf mindestens 20 cm Abstand zu den Seitenwänden stehen

5.3 WASSERANSCHLUSS

!! WICHTIG:

- Der Wasseranschluss muss nach den Anleitungen des Herstellers erfolgen und von einem Fachmann ausgeführt werden
- Dieses Gerät darf nur mit kaltem, zum Zweck geeignetem Wasser (Trinkwasser) betrieben werden
- Der Betriebsdruck muss zwischen 0,1 und 0,6 MPa liegen
- Zwischen dem Schlauch der Wasserzuführung des Geräts und der Hauswasserleitung muss ein Absperrhahn installiert werden, damit der Wasserzufluss bei Bedarf unterbrochen werden kann
- Sollte das Wasser einen besonders hohen Härtegrad aufweisen, so wird der Einbau eines polyvalenten Patronenfilter empfohlen. Feste Bestandteile (zum Beispiel Sand usw.) können mit einem mechanischen Filter beseitigt werden. Dieser Filter ist regelmäßig zu kontrollieren und zu reinigen. Alle Vorrichtungen müssen den gültigen nationalen Vorschriften und Normen entsprechen
- Den Absperrhahn in der Wasserzuleitung nie schließen, wenn das Gerät eingeschaltet ist
- Für den Anschluss an die Wasserversorgung mit neuen Röhren nur mit dem Gerät geliefert wird, verwenden Sie keine alten Schläuche oder zuvor verwendeten

5.3.a ZULAUF (Abb. 5)

Setzen Sie die Dichtungsringe (13), welche dem Gerät beiliegen, in die beiden Schraubanschlüsse (12) des Schlauchs zur Wasserzuführung (8) ein.

Sorgen Sie für einen festen Sitz der Schraubanschlüsse. Ein zu starkes Anziehen der Verschraubungen kann allerdings zum Reißen der Gewinde führen. Ein Schlauchende wird an den Ausgang des Magnetventils auf der Rückseite des Gerätes geschraubt. Das andere Ende wird an den ebenfalls mit einem Gewinde versehenen Wasserhahn (7) geschraubt.

Für die Modelle mit Wasserkondensation verbinde man das Anschlussstück (15) mit einem Wasserzuführschlauch (9) an einem Absperrhahn (7).

5.3.b ABLAUF (Abb. 5)

Befestigen Sie jeden Schlauch zum Wasserablauf (10) an der auf der Rückseite des Geräts dafür vorgesehenen Stelle. Bitte überprüfen Sie, dass:

- Der Schlauch biegsam ist
- Sein Innendurchmesser, wie vorgesehen, 22 mm beträgt
- Der Schlauch auf seiner gesamten Länge keine Verengungen aufweist
- Der Ablaufschlauch mindestens ein Gefälle von 15% hat.

Für die Modelle mit Wasserkondensation verbinde man das Anschlussstück (16) mit einem Wasserablaufschlauch (11).

Es ist empfehlenswert, den Ablauf direkt in einen Abfluss mit Siphon einzuleiten.

5.4 STROMANSCHLUSS

!! WICHTIG:

- Die Modelle mit Tagesproduktion von 300 kg müssen an eine verriegelte Steckdose mit 32-A-nennstrom angeschlossen werden
- Die Verbindung mit dem Stromnetz muss nach den gültigen nationalen Normen und von qualifiziertem, befugtem Fachpersonal vorgenommen werden
- Vor dem Anschluss des Geräts an das Stromnetz sicherstellen, dass die Netzspannung und -frequenz mit den Daten auf dem Typenschild des Geräts übereinstimmen
- Ein sicherer Betrieb des Geräts ist nur möglich, wenn er entsprechend der gültigen Sicherheitsvorschriften und Normen ordnungsgemäß geerdet wurde
- Stellen Sie sicher, dass die Belastbarkeit Ihres elektrischen Anschlusses der auf dem Typenschild des Geräts angegebenen maximalen Leistungsaufnahme angemessen ist
- Das Gerät wird mit Stecker geliefert; erforderlich ist die Installation einer speziellen Steckdose mit allpoligem magnetothermischen Schalter (6 Abb. 4) mit einem Mindestabstand der stromführenden Kontakte von 3 mm, so dass eine vollständige Trennung unter den Bedingungen der Überspannungskategorie III, der den gültigen nationalen Sicherheitsnormen und -vorschriften entspricht, versehen mit Sicherungen und Differentialschutz und so angebracht, dass er einfach zugänglich ist. Den Stecker in die Steckdose mit Schalter stecken
- Es ist möglich, den Stecker von einem Fachmann gegen einen anderen, ebenfalls den gültigen Sicherheitsnormen und -vorschriften entsprechenden Stecker austauschen zu lassen
- Wenn das Gerät ohne Stecker geliefert wurde und Sie einen festen Anschluss an das Stromnetz beabsichtigen, so muss ein allpoliger magnetothermischer Schalter mit einem Mindestabstand der stromführenden Kontakte von 3 mm installiert werden, so dass eine vollständige Trennung unter den Bedingungen der Überspannungskategorie III, der den gültigen Sicherheitsnormen und -vorschriften entspricht. Dieser Schalter muss über Sicherungen und Differentialschutz verfügen und einfach zugänglich angebracht sein. Dieser Vorgang muss von einem spezialisierten Techniker ausgeführt werden
- Wickeln Sie das Anschlusskabel vollständig ab und prüfen Sie es auf eventuelle Beschädigungen durch Quetschen
- Sollte das Anschlusskabel beschädigt sein, muss es durch ein spezielles Anschlusskabel ersetzt werden, welches beim Hersteller oder bei den Servicestellen erhältlich ist

5.5 VERBINDUNG DES THERMOSTATEN MIT DEM BEHÄLTER

Das Gerät ist mit einem Thermostaten versehen, dessen Fühlerelement mit dem Behälter verbunden werden muss, wenn das Gerät auf einem Behälter unserer Produktion installiert wird.

!! ANMERKUNG FÜR DEN INSTALLATEUR (Abb. 6):

Dieser Arbeitsvorgang darf nur von professionell befugtem und qualifizierten Fachpersonal durchgeführt werden. Man erreicht das Fühlerelement des Thermostaten folgendermaßen:

- Man entferne die Rückwand (Modelle mit Produktion von 300 kg/24h) oder die rechte Seitenplatte (Modelle mit Produktion von 155 kg/24h)
- Man befreie das Fühlerelement und entrolle es ohne Drosselstellen zu bewirken
- Man führe das Fühlerelement in das mit einem grünen Pfeil gekennzeichnete Loch in der Bodenplatte ein
- Das Ende des Kapillarrohrs formen, wie in Abb. 6 angegeben, bevor man es in das Kolbenträgerrohr des Behälters einführt; dabei achte man darauf, es nicht zu beschädigen

Für weitere Details verweisen wir auf die mit den Behältern unserer Produktion gelieferten Schemata.

6 INBETRIEBNAHME

6.1 REINIGEN DER INNENTEILE

Das Gerät wurde schon im Herstellerwerk gereinigt. Vor einem Gebrauch ist jedoch ein erneutes Auswaschen des Geräteinnern zu empfehlen. Vergewissern Sie sich, dass dabei kein Anschluss des Gerätes an das Stromnetz vorliegt.

Zwecks notwendiger Informationen zur Reinigung siehe Handbuch zur Reinigung und Desinfektion.

Verwenden sie zur Reinigung ein normales Geschirrspülmittel oder eine Mischung aus Wasser und Essig. Danach sollten Sie gründlich mit reichlich kaltem Wasser nachspülen und das Eis der ersten 5 Gefrierzyklen nach der Reinigung und das eventuell im Behälter vorhandene Eis entfernen.

Verwenden Sie keine scharfen Reinigungsmittel und kein Scheuermittel, da diese die Oberflächen angreifen können.

6.2 EINSCHALTEN

Zur ersten Inbetriebnahme des Geräts oder zu seiner Wiederinbetriebnahme nach einer längeren Abschaltung ist es erforderlich, den Behälter manuell mit Wasser zu füllen.

Entfernen Sie hierzu die Frontplatte (Abb. 7), heben Sie die Lamellen an und füllen Sie das Wasser direkt in den Behälter (Abb. 8). Bei den nachfolgenden Gefrierzyklen erfolgt das Nachfüllen dann im Automatikbetrieb.

ANMERKUNG FÜR DIE MODELLE MIT PRODUKTION VON 300 kg/24h:

Um die manuelle Wasserzuführung vorzunehmen, muss die rechte Vorderplatte durch Losschrauben der Schrauben herausgenommen werden. Die manuelle Wasserzuführung muss für die Behälter beider Verdampfer vorgenommen werden.

Nachdem das Gerät vorschriftsmäßig mit dem Stromnetz, dem Wassernetz und Wasserabflusssystem verbunden wurde, starten Sie es wie folgt:

- a) Öffnen Sie den Absperrhahn/die Absperrhähne (7 Abb. 4) des Wasseranschlusses
- b) Stecken Sie den Stecker (wenn vorgesehen) in die Steckdose ein und ermöglichen Sie durch Betätigen des bei der Aufstellung installierten Schalters (6 Abb. 4) eine Stromaufnahme des Gerätes

Das Gerät einschalten, indem man den Leuchtschalter (14 Abb. 9) betätigt.

Ermöglichen Sie die Stromaufnahme für die fest mit dem Stromnetz verbundenen Geräte durch Betätigung des bei der Aufstellung installierten Außenschalters.

7 HAUPTSÄCHLICHE STÖRUNGSURSACHEN

Falls keine Eisbildung erfolgt, sollten Sie vor einer Benachrichtigung des Kundendienstes folgende Punkte überprüfen:

- Der/Die zur Aufstellung des Gerätes erforderliche Absperrhahn/Absperrhähne des Wasserzuflusses (7 Abb. 4) muss/müssen geöffnet sein
- Zur Stromversorgung muss sich der Stecker (wenn vorgesehen) richtig in der Steckdose befinden, der Schalter (6 Abb. 4) muss auf „EIN“ stehen und die Taste (14 Abb. 9) muss leuchten

Sonstige Hinweise:

- Im Fall einer übermäßigen Geräusentwicklung prüfen Sie bitte, ob das Gerät Möbel oder Metallflächen berührt, die Geräusch oder Schwingungen verursachen können
- Sollten Sie Wasserflecken finden, ist zu prüfen, ob sich die Öffnung des Wasserabflusses im Eiswürfelbehälter eventuell zugesetzt hat oder ob die Wasserzu- und -abflussleitungen korrekt verbunden sind und keine Verengungen oder Leckstellen aufweisen
- Sicherstellen, dass Wasser- und Lufttemperatur nicht über den zulässigen Installationswerten liegen (siehe Kapitel 5.2)
- Sicherstellen, dass der Filter im Wassereinlauf nicht verstopft ist (siehe Kapitel 9.1)
- Sicherstellen, dass die Düsen nicht verkalkt sind

Bleibt die Störung trotz der oben genannten Überprüfungen weiterhin bestehen, sollten Sie das Gerät durch Betätigen des bei der Aufstellung installierten Schalters abschalten, den Stecker (wenn vorgesehen) aus der Steckdose ziehen, den/die Wasseranschluss/Wasseranschlüsse schließen und den Kundendienst verständigen.

Um ein schnelles und effizientes Handeln des Kundendienstes zu ermöglichen, empfehlen wir Ihnen, schon bei der Benachrichtigung das genaue Modell und die Seriennummer oder die Herstellungsnummer anzugeben, die Sie auf dem Typenschild (Abb. 1) des Gerätes oder vorne auf der vorliegenden Bedienungsanleitung finden.

8 FUNKTIONSWEISE

Das Gerät ist mit einem Thermostaten versehen. Wenn dieser nach den im Abschnitt 5.5 angegebenen Angaben installiert wurde, schaltet er die Produktion ab, sobald das angesammelte Eis das Fühlerelement, mit dem er verbunden ist, erreicht. Wird das Eis aus dem Behälter entnommen, schaltet der Thermostat die Eisproduktion selbständig wieder ein und erzeugt damit einen neuen Eisvorrat.

Einige Modelle sind mit einem Sicherheitsdruckwächter ausgestattet, der die Produktion bei Störungen im Gefrierkreislauf anhält; um das Gerät wieder einzuschalten, muss der Reset- Schalter ganz gedrückt werden. Bleibt die Störung weiterhin bestehen, sollten Sie das Gerät durch Betätigen des bei der Aufstellung installierten Schalters (6 Abb. 4) abschalten, den/die Wasseranschluss/Wasseranschlüsse (7 Abb. 4) schließen und den nächsten Kundendienst verständigen.

ANMERKUNG FÜR DIE MODELLE MIT PRODUKTION VON 300 kg/24h (Abb. 10):

Das Gerät ist mit einem Sicherheitsdruckwächter für Minimaldruck ausgestattet, der die Produktion bei Störungen im Gefrierkreislauf anhält; um das Gerät wieder einzuschalten, muss der Reset-Schalter ganz gedrückt werden. Bleibt die Störung weiterhin bestehen, sollten Sie das Gerät durch Betätigen des bei der Aufstellung installierten Schalters (6 Abb. 4) abschalten, den/die Wasseranschluss/Wasseranschlüsse (7 Abb. 4) schließen und den nächsten Kundendienst verständigen.

9 WARTUNG

9.1 REINIGEN DES FILTERS DES MAGNETVENTILS DER WASSERZUFUHR (Abb. 13)

✂ Sämtliche Arbeiten in diesem Absatz beschriebenen müssen, wie bereits für die oben aufgeführten Wartungsarbeiten beschrieben, nach Unterbrechung der Strom- und Wasserzufuhr von professionell befugtem und qualifiziertem Fachpersonal durchgeführt werden.

!! Den am Magnetventil des Wasserzuflusses eingesetzten Filter (24) in wenigstens zweimonatigen Abständen reinigen. Gehen Sie dazu wie folgt vor:

- Schalten Sie das Gerät mit dem dafür vorgesehenen Schalter (6 Abb. 4) ab und ziehen Sie
- den Stecker (wenn vorgesehen) aus der Steckdose
- Schließen Sie die Wasserzufuhr durch den dafür vorgesehenen Absperrhahn (7 Abb. 4)
- Schrauben Sie den Schlauchanschluss (12 Abb. 5) ab, der auf dem Auslass des an der Rückseite des Geräts befindlichen Magnetventils sitzt
- Nehmen Sie den Filter (17) mit Hilfe einer Zange aus seiner Halterung, ohne dabei das Schraubgewinde des Wasseranschlusses zu beschädigen
- Reinigen Sie den Filter unter einem Wasserstrahl von allen Rückständen; falls er zu schmutzig ist, ersetzen Sie ihn

Nach erfolgter Reinigung setzen Sie den Filter wieder ein und schrauben Sie den Wasseranschluss erneut an. Beachten Sie alle hierzu auf den vorderen Seiten dieser Bedienungsanleitung gegebenen Hinweise.

Nach Beendigung dieses Vorgangs stellen Sie die Strom- und Wasserversorgung des Gerätes wieder her.

9.2 AUSFÜHRUNGEN MIT LUFTKONDENSATION

Bei Modellen mit Luftkondensation ist es sehr wichtig, den gerippten Kondensator und den entsprechenden Außenfilter immer sauber zu halten.

Lassen Sie den gerippten Kondensator regelmäßig mindestens alle zwei Monate vom Kundendienst reinigen. Der Kundendienst kann diese Reinigung in das Wartungsprogramm des Gerätes aufnehmen.

Die Reinigung des Außenfilters muss mindestens einmal pro Monat durchgeführt werden, wobei man sich an folgende Anweisungen halte:

MODELLE MIT PRODUKTION VON 155 kg/24h (Abb. 12):

- Halten Sie das Gerät an und schalten Sie es mit dem dafür vorgesehenen Schalter (6 Abb. 4) ab
- Nehmen Sie den Filter heraus und bringen Sie ihn weit weg vom Gerät
- Entfernen Sie mit Pressluft den Staub vom Filter
- Setzen Sie den Filter wieder ein

MODELLE MIT PRODUKTION VON 300 kg/24h (Abb. 13):

- Halten Sie das Gerät an und schalten Sie es mit dem dafür vorgesehenen Schalter (6 Abb. 4) ab
- Nehmen Sie die linke Frontplatte durch Herausnehmen der Befestigungsschrauben heraus
- Entfernen Sie den Knopf, der den Filter hält
- Nehmen Sie den Filter heraus und bringen Sie ihn weit weg vom Gerät
- Entfernen Sie mit Pressluft den Staub vom Filter
- Setzen Sie den Filter wieder ein und befestigen Sie ihn mit dem Knopf
- Setzen Sie die linke Frontplatte wieder ein und befestigen Sie sie mit den Schrauben

9.3 REINIGUNG UND DESINFEKTION

Bei Ihrem Fachhändler erhalten Sie ein Reinigungs- und Desinfektionskit, das eigens für dieses Gerät zusammengestellt wurde.

!! Verwenden Sie niemals ätzende Mittel, um das Gerät vom Kalkstein zu befreien, denn sie verursachen schwere Schäden an den Materialien und Komponenten des Gerätes.

Außerdem erlischt dadurch eine jegliche Form des Garantieanspruchs.

Keine Wasserstrahlen zum Reinigen des Gerätes benutzen.

!! Sämtliche Reinigungsarbeiten müssen, wie bereits für die oben aufgeführten Wartungsarbeiten beschrieben, nach Unterbrechung der Strom- und Wasserzufuhr von professionell befugtem und qualifiziertem Fachpersonal durchgeführt werden.

Man halte sich an die im Handbuch zur Reinigung und Desinfektion beschriebenen Anweisungen, das mit diesem Gerät geliefert wird.

!! WICHTIG:

Das gesamte in den ersten 5 Zyklen nach den Reinigungs- und Desinfektionsvorgängen produzierte Eis sowie das im Behälter eventuell noch vorhandene Eis muss beseitigt werden.

Eine vollständige Desinfektion des Gerätes kann nur vom autorisierten Kundendienst durchgeführt werden. Sie ist je nach den vorliegenden Einsatzbedingungen des Gerätes, je nach den chemischen und physikalischen Eigenschaften des Wassers und nach einer längeren Nichtbenutzung des Gerätes mit variabler Frequenz auszuführen.

Wir empfehlen Ihnen, mit Ihrem Fachhändler oder Kundendienst einen Wartungsvertrag abzuschließen, der folgende Arbeiten einschließt.

- Reinigung des Kondensator
- Säubern des Filters am Magnetventil des Wasserzuflusses
- Reinigung des Eisvorratsbehälters
- Kontrolle des Ladungszustandes des Kältemittels
- Kontrolle des Gefrierzyklus
- Desinfektion des gesamten Eiswürfelautomaten

10 LÄNGERER STILLSTAND DES GERÄTES

Wenn Sie das Gerät für einen längeren Zeitraum nicht benutzen möchten, dann sollten Sie:

- Die Stromversorgung des Gerätes durch Betätigung des bei der Aufstellung dafür vorgesehenen Schalters (6 Abb. 4) unterbrechen und danach den Stecker aus der Steckdose (wenn vorgesehen) ziehen
- Die Wasserversorgung durch Betätigen des/der dafür vorgesehenen Absperrhahns/Absperrhähne (7 Abb. 4) unterbrechen
- Den/die internen Behälter durch Anheben der Lamellen und Herausziehen des/der Überlaufschlauchs /Überlaufschläuche leeren
- Den/die Pumpenkörper durch Einblasen von Druckluft in die Wasserzuleitung/Wasserzuleitungen des/der Sprühkopfträgers/Sprühkopfträger ausleeren
- Den Filter des Magnetventils der Wasserzufuhr so reinigen, wie im Kapitel 9.1 beschrieben
- Den Filter des Luftkondensators (wenn vorhanden) so reinigen, wie im Kapitel 9.2 beschrieben

Cher Client, nous sommes heureux que vous ayez choisi un produit de qualité qui saura certainement répondre à vos attentes. Nous vous remercions de la confiance que vous avez bien voulu nous accorder et nous vous invitons à consulter attentivement ce manuel d'instructions avant d'utiliser votre nouvelle machine automatique modulaire à glaçons.

1 AVERTISSEMENTS ET CONSEILS IMPORTANTS

Ce manuel fait partie intégrante de la machine automatique à glaçons (ci-après dénommée appareil) et devra être conservé afin de pouvoir être consulté à tout moment. En cas de vente ou de transfert de l'appareil, ce manuel devra être remis au nouvel utilisateur de façon à ce que celui-ci puisse le consulter et prendre connaissance du mode de fonctionnement et des avertissements correspondants.

!! Lisez attentivement les avertissements contenus dans ce manuel d'instructions avant d'installer et d'utiliser l'appareil. Ces avertissements sont fournis afin d'assurer la sécurité des utilisateurs en phase d'installation, d'utilisation et d'entretien.

- débranchez toujours l'appareil avant de procéder à toute opération de nettoyage et d'entretien
- pour garantir le bon fonctionnement de l'appareil, il est indispensable de respecter les instructions du Fabricant et de confier l'entretien à un technicien qualifié
- n'enlevez aucun panneau, ni aucune grille
- ne posez pas d'objets sur l'appareil ou devant les grilles d'aération
- soulevez toujours l'appareil, même pour de petits déplacements, évitez toujours de le pousser ou le tirer
- tout usage de l'appareil autre que la fabrication de glaçons en cubes à partir d'eau froide potable, doit être considéré comme impropre
- évitez d'obstruer les grilles de ventilation et de dissipation de la chaleur car une mauvaise aération risque non seulement de diminuer le rendement de l'appareil et de l'empêcher de fonctionner correctement, mais aussi de provoquer de sérieux dommages à l'appareil en soi
- en cas de panne et/ou de mauvais fonctionnement, coupez le courant au moyen de l'interrupteur prévu à cet effet et débranchez (le cas échéant) la fiche de la prise de courant, fermez le robinet d'arrivée d'eau. N'essayez pas de le réparer ou d'intervenir directement et faites uniquement appel à du personnel qualifié
- modifier ou tenter de modifier cet appareil est extrêmement dangereux et annule toute forme de garantie
- ouvrez et fermez le volet avec précaution, sans le taper
- évitez d'utiliser le réservoir à glaçons pour refroidir ou conserver des aliments ou des boissons au risque de boucher le dispositif d'évacuation, ce qui entraînerait le remplissage anormal de ladite cuvette et, par suite, un débordement d'eau
- en cas de panne, contactez le Distributeur qui vous a vendu l'appareil, qui saura vous conseiller le Centre d'Assistance Agréé le plus proche. Nous vous recommandons d'exiger des pièces de rechange d'origine
- toute remarque éventuelle ou schéma relatif à des modèles particuliers seront joints au présent manuel d'instructions

!! L'utilisation de cet appareil électrique implique le respect d'un certain nombre de règles fondamentales, et notamment :

- évitez de toucher l'appareil avec les mains ou les pieds mouillés ou humides
- évitez d'utiliser l'appareil pieds nus
- évitez d'utiliser des rallonges dans les salles de bain ou les douches
- évitez de tirer le câble d'alimentation pour débrancher l'appareil
- l'appareil peut être utilisé par des enfants âgés de plus de 8 ans ou par des personnes dont les capacités physiques, sensorielles ou mentales réduites, ou manquant d'expérience ou de connaissances, à condition sous surveillance, ou après les mêmes ont reçu des instructions relatives à pour assurer la sécurité et la compréhension des dangers qui lui sont inhérents. Les enfants ne devraient pas jouer avec l'appareil. Le nettoyage et l'entretien destinée à être exécutée par l'utilisateur ne doivent pas être effectuées par les enfants sans supervision
- veillez à ce que les enfants ne jouent pas avec l'appareil

Si vous décidez de ne plus utiliser l'appareil, nous vous conseillons de le mettre hors d'usage en coupant le câble d'alimentation (après l'avoir débranché du secteur électrique).

Nous vous recommandons également:

- de casser et d'enlever le panneau d'ouverture afin d'éviter qu'un enfant risque de se coincer en voulant jouer avec l'appareil
- d'éviter d'abandonner dans la nature le gaz frigorigène et l'huile qui se trouvent dans le compresseur
- d'éliminer et de recycler les matériaux en fonction des dispositions nationales en vigueur en la matière



Ce symbole indique que ce produit ne doit pas être traité comme un déchet domestique. Pour éviter tout risque de pollution de l'environnement et de santé, veillez à ce que produit soit correctement pris en charge et recyclé au terme de sa durée de vie. Pour tout complément d'information concernant la prise en charge et recyclage de ce produit, veuillez contacter votre Distributeur ou le Service de traitement des déchets.

Cet appareil ne contient aucun réfrigérant pouvant endommager la couche d'ozone. Cet appareil contient des gaz à effet de serre fluorés relevant du protocole de Kyoto. Produit fermé hermétiquement.

!! Une mauvaise installation peut provoquer des dommages à l'environnement, aux personnes, aux animaux et aux choses dont le Fabricant ne saurait être retenu responsable.

2 DONNEES TECHNIQUES (Fig. 1)

La tension et la fréquence sont indiquées sur la plaquette d'immatriculation. Veuillez les consulter pour toute vérification ou contrôle.

Tension (1), puissance (2), modèle (3), n° de matricule (4), Fabricant (5).

Le niveau de pression sonore continue équivalent pondéré A de cet appareil est inférieur à 70 dB(A). Les relevés ont été effectués à 1 mètre de la surface de l'appareil et à 1,60 mètres de hauteur du sol pendant toute la durée d'un cycle de production.

Le schéma électrique est appliqué sur le panneau postérieur de l'appareil.

3 INDICATIONS UTILES POUR LE TRANSPORT

Le poids net et le poids brut de cet appareil sont indiqués sur la couverture de ce manuel. Sur l'emballage vous trouverez les instructions pour effectuer correctement le transport et le soulèvement de l'appareil.

Afin d'éviter que l'huile qui se trouve dans le compresseur coule dans le circuit réfrigérant, l'appareil doit toujours être transporté, stocké et déplacé en position verticale et conformément aux instructions figurant sur l'emballage.

4 DEBALLAGE

L'installation doit être effectuée conformément aux normes nationales en vigueur, suivant les instructions du Fabricant et par des techniciens qualifiés et autorisés.

Après avoir déballé l'appareil, en suivant les instructions imprimées sur la boîte, VERIFIEZ SI L'APPAREIL EST INTACT. EN CAS DE DOUTE, NE L'UTILISEZ PAS ET ADRESSEZ-VOUS AU DISTRIBUTEUR qui vous l'a vendu.

Evitez de laisser les éléments d'emballage (sacs en plastique, carton, polystyrène expansé, clous, etc.) à la portée des enfants car ils représentent un danger potentiel.

Evitez de laisser les éléments d'emballage (sacs en plastique, carton, polystyrène expansé, clous, etc.) à la portée des enfants car ils représentent un danger potentiel.

Après avoir vérifié si le socle en bois repose parfaitement sur le sol, dévissez les vis (lorsque vis il y a) servant à fixer l'appareil audit socle en bois (Fig. 2), soulevez l'appareil à l'aide de dispositifs de levage appropriés et séparez-le du socle en bois.

!! A L'INTENTION DE L'INSTALLATEUR (UNIQUEMENT SUR LE MODELE PERMETTANT DE PRODUIRE 300 kg/24h): Cette opération doit être effectuée par du personnel professionnellement agréé. Des orifices filetés sont déjà prévus sur l'appareil en vue d'accrocher des œillets (Fig. 3).

Pour éviter d'endommager l'appareil, veillez à ce que les tirants de levage restent à la verticale pendant l'opération de levage de ce dernier.

5 INSTALLATION

5.1 SCHEMA DES CONNEXIONS (Fig. 4)

6. branchement électrique commandé par un interrupteur omnipolaire à différentiel
7. robinet(s) d'arrivée d'eau
8. tuyau d'arrivée d'eau pour la fabrication des glaçons
9. tuyau d'arrivée d'eau pour la condensation de l'eau (W)
10. tuyau(x) d'évacuation de l'eau
11. tuyau d'évacuation de l'eau de condensation (W)

5.2 MISE EN PLACE

L'appareil doit être installé dans des lieux bénéficiant de bonnes conditions d'hygiène; éviter donc de l'installer dans des caves ou des débarras au risque de favoriser l'apparition et la prolifération de bactéries à l'intérieur même de l'appareil.

L'appareil peut fonctionner lorsque la température ambiante est comprise entre 10°C et 43°C.

Pour un fonctionnement optimal de l'appareil, la température ambiante doit être comprise entre 10°C et 35°C et la température de l'eau entre 3°C et 25°C.

Evitez l'exposition directe aux rayons du soleil et la proximité de sources de chaleur.

Cet appareil:

- **doit être installé dans un endroit où il pourra être contrôlé par du personnel qualifié**
- ne doit pas être utilisé à l'extérieur
- ne doit pas être placé dans un local humide et en présence de jets d'eau
- ne doit pas être nettoyé au jet d'eau
- doit être mis à une distance de 20 cm au moins des parois

!! L'appareil doit être installé sur un conteneur.

Pour une installation correcte sur les conteneurs fournis par notre maison, veuillez-vous reporter aux schémas joints à ces derniers.

Quoiqu'il en soit, vous devez respecter les instructions et les recommandations figurant dans le présent manuel et notamment celles relatives au branchement au réseau électrique et d'eau.

A l'aide d'un niveau, vérifiez si l'appareil est parfaitement horizontal. Les réglages éventuels en ce sens peuvent être effectués en agissant sur les pieds dont sont dotés les conteneurs fournis par notre maison.

!! Le Constructeur décline toute responsabilité dès lors que l'appareil ne sera pas installé sur des conteneurs fournis par sa société.

5.3 RACCORDEMENT AU RESEAU HYDRIQUE

!! IMPORTANT:

- le raccordement au réseau hydrique devra être effectué conformément aux instructions du Fabricant et par un technicien qualifié
- cet appareil a spécialement et uniquement été conçu pour être alimenté avec de l'eau froide potable
- la pression de service devra être comprise entre 0,1 et 0,6 MPa
- entre le réseau hydrique et le tuyau de remplissage de l'appareil, vous devrez installer un robinet de façon à pouvoir interrompre le passage de l'eau en cas de besoin
- si l'eau est particulièrement calcaire, l'installation d'un filtre à cartouche polyvalent est recommandée. La présence de substances solides (sable, etc.) peut être éliminée moyennant la mise en place d'un filtre mécanique qui devra être contrôlé et nettoyé périodiquement. Ces dispositifs devront être conformes aux normes nationales en vigueur en la matière
- ne fermez jamais le robinet d'arrivée de l'eau quand l'appareil est en marche
- pour le raccordement au réseau d'eau en utilisant exclusivement des tuyaux neufs fournis avec l'appareil, ne pas utiliser de vieux tuyaux ou déjà utilisés

5.3.a CHARGEMENT (Fig.5)

Positionnez les garnitures d'étanchéité (13) fournies avec l'appareil dans les deux embouts filetés (12) du tuyau d'arrivée d'eau (8). Vissez soigneusement - sans pour autant exercer une force excessive, au risque de fêler les raccords - un des deux embouts filetés sur la sortie de l'électrovanne située à l'arrière de l'appareil. Vissez l'autre embout fileté sur le robinet d'eau (7), fileté lui aussi.

Pour les modèles à eau condensée, reliez le raccord (15) à un robinet (7) moyennant un tuyau d'arrivée d'eau (9).

5.3.b DECHARGEMENT (Fig. 5)

Fixez chaque tuyau d'évacuation d'eau (10) à l'emplacement prévu à cet effet situé à l'arrière de l'appareil tout en vérifiant:

- si le tuyau est du type flexible
- si le diamètre interne est de 22 mm comme prévu
- l'absence d'étranglements sur toute la longueur du tuyau d'évacuation
- si le tuyau d'évacuation est incliné de 15% au moins

Pour les modèles à eau condensée, reliez le raccord (16) à une évacuation à l'aide d'un tuyau d'évacuation d'eau (11). Il est bon de prévoir que l'évacuation se fasse directement en siphon ouvert.

5.4 RACCORDEMENT AU SECTEUR ELECTRIQUE

!! IMPORTANT:

- les modèles dont la production journalière atteint 300 kg doivent être branchés sur une prise interbloquée de 32A
- le raccordement au secteur électrique doit être conforme aux normes nationales en vigueur et effectué par du personnel agréé hautement qualifié
- avant de brancher l'appareil au secteur électrique, assurez-vous que la tension correspond à celle indiquée sur la plaquette d'immatriculation
- assurez-vous que l'appareil est mis à la terre correctement
- vérifiez que la portée électrique de l'installation correspond à la puissance maximum de l'appareil indiquée sur la plaquette d'immatriculation
- si l'appareil est livré avec fiche, installer une prise spéciale commandée par un interrupteur magnéto-thermique omnipolaire (7 Fig. 4) où la distance d'ouverture des contacts devra être égale ou supérieur à 3 mm, permettant la déconnexion complète dans les conditions de la catégorie de surtension III, conformément aux normes nationales de sécurité en vigueur, doté de fusibles, avec différentiel associé et positionné de façon à être facilement accessible. Branchez la fiche dans la prise commandée de l'interrupteur (7 Fig. 4)
- il est possible de faire remplacer la prise par un technicien qualifié et agréé, à condition que la nouvelle prise soit conforme aux normes nationales de sécurité en vigueur

- si l'appareil est livré sans fiche, donc prévu pour rester branché en permanence au secteur électrique, il faudra installer un interrupteur magnétothermique omnipolaire (7 Fig. 4) où distance d'ouverture des contacts égale ou supérieure à 3 mm, permettant la déconnexion complète dans les conditions de la catégorie de surtension III, conforme aux normes nationales de sécurité en vigueur, doté de fusibles, avec différentiel associé et positionné de façon à être facilement accessible. Cette opération devra être effectuée par un technicien qualifié
- nous vous conseillons de dérouler le câble d'alimentation sur toute la longueur et de vérifier s'il n'est pas écrasé à certains endroits
- un câble d'alimentation abîmé doit être remplacé par un technicien qualifié en utilisant un câble spécial disponible uniquement auprès du Fabricant ou des Centres d'Assistance Agréés

5.5 RACCORDEMENT DU THERMOSTAT AU CONTENEUR

L'appareil est doté d'un thermostat dont la sonde, lorsque l'appareil est installé sur un conteneur de notre marque, doit être raccordée au conteneur.

!! A L'INTENTION DE L'INSTALLATEUR (Fig. 6):

Cette opération ne peut être effectuée que par du personnel compétent et agréé.

Pour accéder à la sonde du thermostat :

- enlevez le panneau arrière (modèles dont la production atteint 300 kg/24h) ou le panneau latéral droit (modèles dont la production atteint 155 kg/24h)
- libérez la sonde et déroulez-la en veillant à éviter tout étranglement
- insérez la sonde dans l'orifice située sur la plaque indiqué par une flèche verte
- façonner la partie terminale du capillaire comme indiqué sur la Fig. 6 avant de l'insérer dans le tube porte cuvette du conteneur, en veillant à ne pas l'endommager

Pour tout complément d'information, reportez-vous aux schémas fournis avec les conteneurs fournis par notre société.

6 MISE EN SERVICE

6.1 NETTOYAGE DES PARTIES INTERNES

L'appareil a déjà été nettoyé à l'usine. Toutefois, il est préférable de nettoyer une nouvelle fois les parties internes avant de l'utiliser, en veillant à ce que le câble d'alimentation soit débranché. Pour tout complément d'information concernant les opérations de nettoyage, veuillez consulter le manuel de nettoyage et de désinfection.

Pour nettoyer l'appareil, utilisez un produit vaisselle courant ou un mélange d'eau et de vinaigre; rincez ensuite abondamment à l'eau froide et éliminez les glaçons qui se sont formés au cours des 5 cycles qui suivent le nettoyage, ainsi que ceux qui se trouvent éventuellement dans le bac.

Nous vous déconseillons d'utiliser des détergers ou des poudres abrasives susceptibles d'endommager les finitions.

6.2 MISE EN MARCHE

La première fois que vous mettez en route l'appareil, ou après une période d'inactivité, remplissez la cuvette d'eau.

Pour ce faire, enlevez le panneau frontal (Fig. 7) en soulevant les déflecteurs (si présents) et versez directement l'eau dans la cuvette interne (Fig. 8). Pour les cycles suivants, l'appareil prendra l'eau de façon entièrement automatique.

REMARQUE CONCERNANT LES APPAREILS DONT LA PRODUCTION ATTEINT 300 kg/24 h:

Pour effectuer le chargement manuel de l'eau, enlevez le panneau avant droit en dévissant les vis de fixation. Le chargement manuel doit être effectué pour les cuvettes des deux évaporateurs.

Une fois que l'appareil est correctement branché au secteur électrique, au réseau hydrique et au dispositif d'évacuation d'eau, procédez de la façon suivante pour le mettre en route:

- a) ouvrez le(s) robinet(s) d'arrivée d'eau (7 Fig. 4)
- b) branchez la fiche (si présente) à la prise électrique et mettez l'appareil sous tension en actionnant l'interrupteur (6 Fig. 4) spécialement prévu au moment de l'installation

Mettez l'appareil en marche en appuyant sur l'interrupteur lumineux (14 Fig. 9).

Pour les appareils reliés en permanence au secteur électrique, appuyez sur l'interrupteur externe de l'appareil spécialement prévu au moment de l'installation.

7 PRINCIPALES CAUSES DE MAUVAIS FONCTIONNEMENT

Si l'appareil ne fabrique pas de glaçons, avant de vous adresser à un Centre d'Assistance Agréé, vérifiez:

- si le(s) robinet(s) (7 Fig. 4) d'arrivée d'eau prévus en phase d'installation est (sont) ouvert(s)
- s'il n'y a pas une panne de courant électrique, ou si la fiche (le cas échéant) est correctement branchée, si l'interrupteur (6 Fig. 4) est en position "ALLUME" et si le bouton (14 Fig. 9) est allumé

De plus:

- lorsque le niveau sonore est excessif, vérifiez si l'appareil ne heurte pas des meubles ou des tôles susceptibles de faire du bruit ou de provoquer des vibrations
- en cas de fuites d'eau, vérifiez si l'orifice d'évacuation du réservoir n'est pas bouché, si les tuyaux d'arrivée et d'évacuation d'eau sont correctement raccordés et ne présentent aucun étranglement ou ne sont pas abîmés
- vérifiez si la température de l'air ou de l'eau ne dépasse pas les valeurs limites d'installation (voir paragraphe 5.2)
- vérifiez si le filtre à l'arrivée de l'eau est bouché (voir paragraphe 9.1)
- vérifiez si les buses sont incrustées de calcaire

Après avoir effectué les contrôles susmentionnés, si le dysfonctionnement persiste, arrêtez l'appareil en coupant l'arrivée du courant électrique au moyen de l'interrupteur prévu à cet effet, débranchez la fiche (le cas échéant) de la prise, fermez le(s) robinet(s) qui le relie(nt) au réseau hydrique et appelez le Centre d'Assistance Agréé le plus proche.

Afin de permettre au Centre d'Assistance Agréé d'intervenir le plus rapidement et le plus efficacement possible, n'oubliez pas d'indiquer avec précision le modèle, le numéro de matricule ou le numéro de construction indiqués sur la plaque d'immatriculation (Fig. 1) située à l'arrière de l'appareil et sur la couverture de ce manuel d'instructions.

8 FONCTIONNEMENT

L'appareil est équipé d'un thermostat qui, installé comme indiqué dans le paragraphe 5.5, bloque la production des glaçons lorsque, à l'intérieur du réservoir, le volume des glaçons atteint la sonde à laquelle il est relié. Le thermostat réactive la production de glaçons dès que vous en prélevez, de façon à recréer une nouvelle réserve de glaçons.

Certains modèles sont dotés d'un pressostat de sécurité qui bloque la production de glaçons en cas d'anomalie détectée au niveau du circuit réfrigérant; pour permettre la remise en route de l'appareil, appuyez à fond sur le bouton de reset. Si l'anomalie perdure, débranchez l'appareil du réseau électrique en appuyant sur l'interrupteur (6 Fig. 4) prévu en phase d'installation, fermez le(s) robinet(s) d'arrivée d'eau (7 Fig. 4) et appelez le Centre d'Assistance Agréé le plus proche.

REMARQUE CONCERNANT LES MODELES DONT LA PRODUCTION ATTEINT 300 kg/24 h (Fig.10):

L'appareil est doté d'un pressostat de sécurité de pression minimum qui bloque la production en cas d'anomalie au niveau du circuit réfrigérant ; pour faire repartir l'appareil, appuyez à fond sur le bouton de reset. Si l'anomalie perdure, débranchez l'appareil du réseau électrique en appuyant sur l'interrupteur (6 Fig. 4) prévu en phase d'installation, fermez le(s) robinet(s) d'arrivée d'eau (7 Fig. 4) et appelez le Centre d'Assistance Agréé le plus proche.

9 ENTRETIEN

9.1 NETTOYAGE FILTRE ELECTROVANNE D'ARRIVEE D'EAU (Fig. 13)

✂ Toutes les opérations décrites dans ce paragraphe doivent être effectuées après avoir coupé l'électricité et l'alimentation en eau comme décrit pour les opérations précédentes, par du personnel agréé et qualifié.

!! Nettoyez le filtre (17) situé sur l'électrovanne d'arrivée d'eau au moins tous les 2 mois conformément aux instructions ci-après:

- coupez l'alimentation électrique en appuyant sur l'interrupteur (6 Fig. 4) et en débranchant (le cas échéant) la fiche de la prise
- coupez l'arrivée d'eau en fermant le robinet d'arrivée d'eau (7 Fig. 4) prévue au moment de l'installation
- dévissez l'embout fileté (12 Fig. 5) du tuyau d'arrivée d'eau situé à la sortie de l'électrovanne qui se trouve à l'arrière de l'appareil.
- à l'aide d'une pince, enlevez le filtre (17) en évitant d'endommager le raccord du tuyau d'arrivée d'eau
- enlevez les résidus éventuels en plaçant le filtre sous un filet d'eau, s'il est trop sale remplacez-le

A la fin des opérations de nettoyage, remontez le filtre et le tuyau d'arrivée d'eau en prenant les précautions indiquées au début de ce manuel d'instructions.

Après quoi, rétablissez l'alimentation électrique et le raccordement au réseau hydrique.

9.2 MODELES A CONDENSATION A AIR (Fig. 14)

Sur les modèles à condensation à air, il est très important que le condensateur à ailettes et le filtre extérieur correspondant soient toujours propres. Tous les 2 mois au moins, faites nettoyer le condensateur à ailettes par un Centre d'Assistance Agréé qui pourra le faire dans le cadre du programme d'entretien.

Nettoyez le filtre extérieur au moins une fois par mois, en respectant les instructions ci-après:

MODELES DONT LA PRODUCTION ATTEINT 155 kg/24 h (Fig. 12):

- arrêtez l'appareil et coupez l'alimentation électrique en appuyant sur l'interrupteur (6 Fig. 4) prévu à cet effet en phase d'installation
- enlevez le filtre et éloignez-le de l'appareil
- éliminez la poussière du filtre à l'aide d'air comprimé
- remettez le filtre en place

MODELES DONT LA PRODUCTION ATTEINT 300 kg/24 h (Fig. 13):

- arrêtez l'appareil et coupez l'alimentation électrique en appuyant sur l'interrupteur (6 Fig. 4) prévu à cet effet en phase d'installation
- enlevez le panneau frontal gauche en dévissant les vis de fixation
- enlevez le pommeau qui maintient le filtre
- enlevez le filtre et éloignez-le de l'appareil
- éliminez la poussière du filtre à l'aide d'air comprimé
- remplacez le filtre et fixez-le à l'aide du pommeau
- remplacez le panneau frontal gauche et fixez-le avec les vis prévues à cet effet

9.3 OPERATIONS DE NETTOYAGE ET DESINFECTION

Un kit de nettoyage et de désinfection spécialement mis au point pour cet appareil est disponible chez votre revendeur.

!! Ne pas utiliser des substances corrosives pour éliminer le calcaire de l'appareil car, au-delà de rendre nulle toute forme de garantie, ces produits endommagent gravement les matériaux et les composants de l'appareil.

Ne pas laver l'appareil au jet d'eau.

!! Toutes les opérations de nettoyage doivent être effectuées après avoir coupé l'électricité et l'alimentation en eau comme décrit pour les opérations précédentes, par du personnel agréé et qualifié.

Conformez-vous aux instructions figurant dans le manuel de nettoyage et de désinfection fourni avec cet appareil.

!! IMPORTANT:

Veillez à éliminer toute les glaçons produits pendant les 5 cycles qui suivent les opérations de nettoyage et de désinfection, ainsi que ceux encore éventuellement présents dans la cuvette.

La désinfection complète ne peut être effectuée que par un Centre d'Assistance Agréé. L'appareil doit être désinfecté régulièrement, en fonction des conditions d'utilisation, des caractéristiques physico-chimiques de l'eau et chaque fois que vous réutilisez l'appareil après une période d'arrêt.

Nous vous conseillons de stipuler un contrat d'entretien périodique avec le Distributeur qui vous a vendu l'appareil portant sur:

- le nettoyage du condensateur
- le nettoyage du filtre situé sur l'électrovanne d'arrivée d'eau
- le nettoyage du bac à glaçons
- le contrôle de la charge de gaz frigorigène
- le contrôle du cycle de fonctionnement
- la désinfection de l'appareil

10 PERIODES D'INACTIVITE

Si vous avez l'intention de ne pas utiliser l'appareil pendant un certain temps:

- coupez l'alimentation électrique en actionnant l'interrupteur (6 Fig. 4) et (le cas échéant), débranchez la fiche de la prise
- coupez l'arrivée d'eau en fermant le(s) robinet(s) prévu(s) à cet effet (7 Fig. 4)
- videz la (les) cuvette(s) interne(s) en soulevant les déflecteurs et en ôtant le(s) tuyau(x) de trop plein
- videz le corps de(s) pompe(s) en soufflant de l'air comprimé dans le(s) tube(s) d'adduction de l'eau à la (aux) rampe(s) de buses
- nettoyez le filtre de l'électrovanne d'arrivée d'eau comme indiqué au chapitre 9.1
- nettoyez le filtre du condensateur à air (lorsqu'il existe) comme indiqué au chapitre 9.2