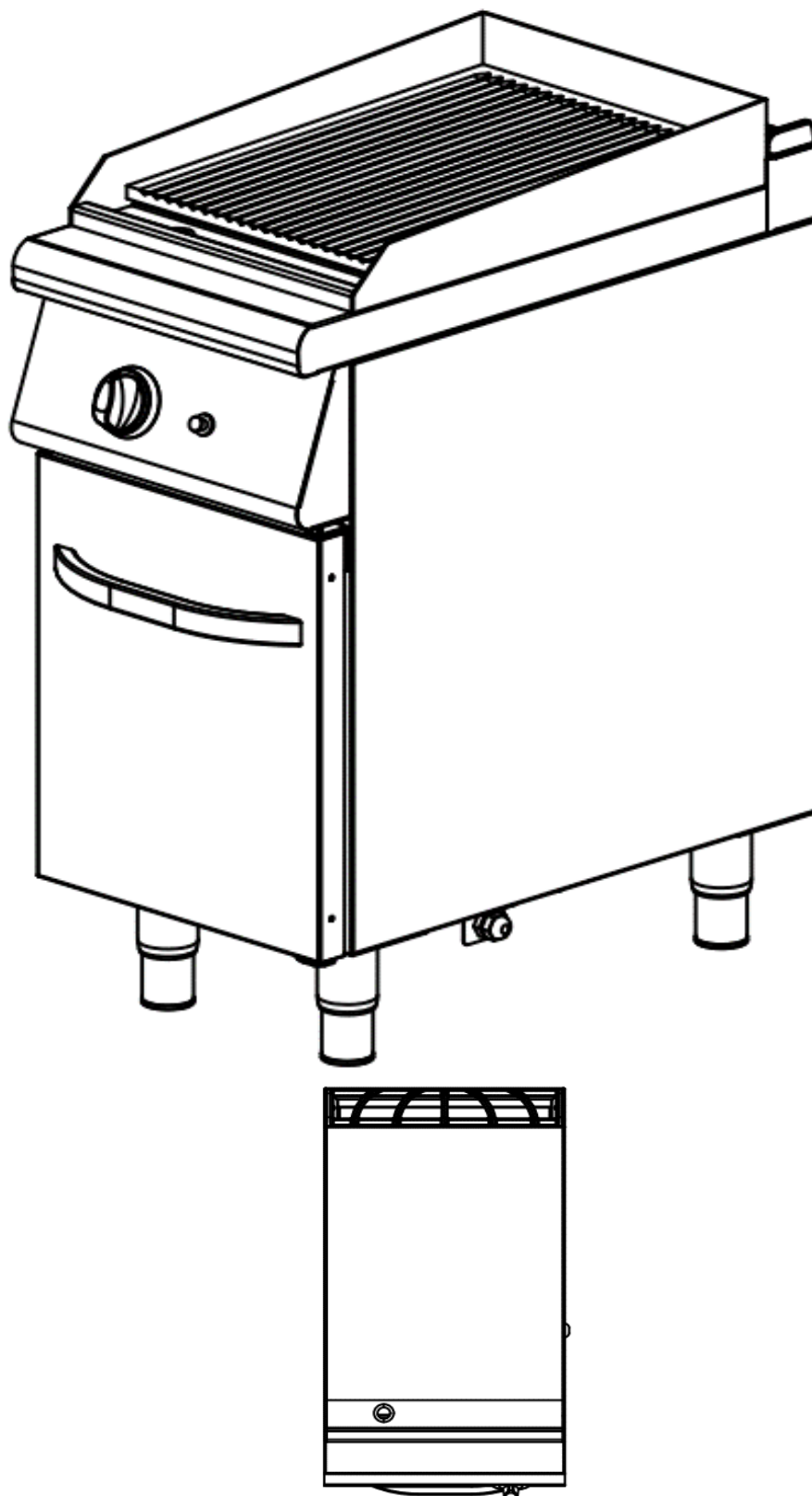


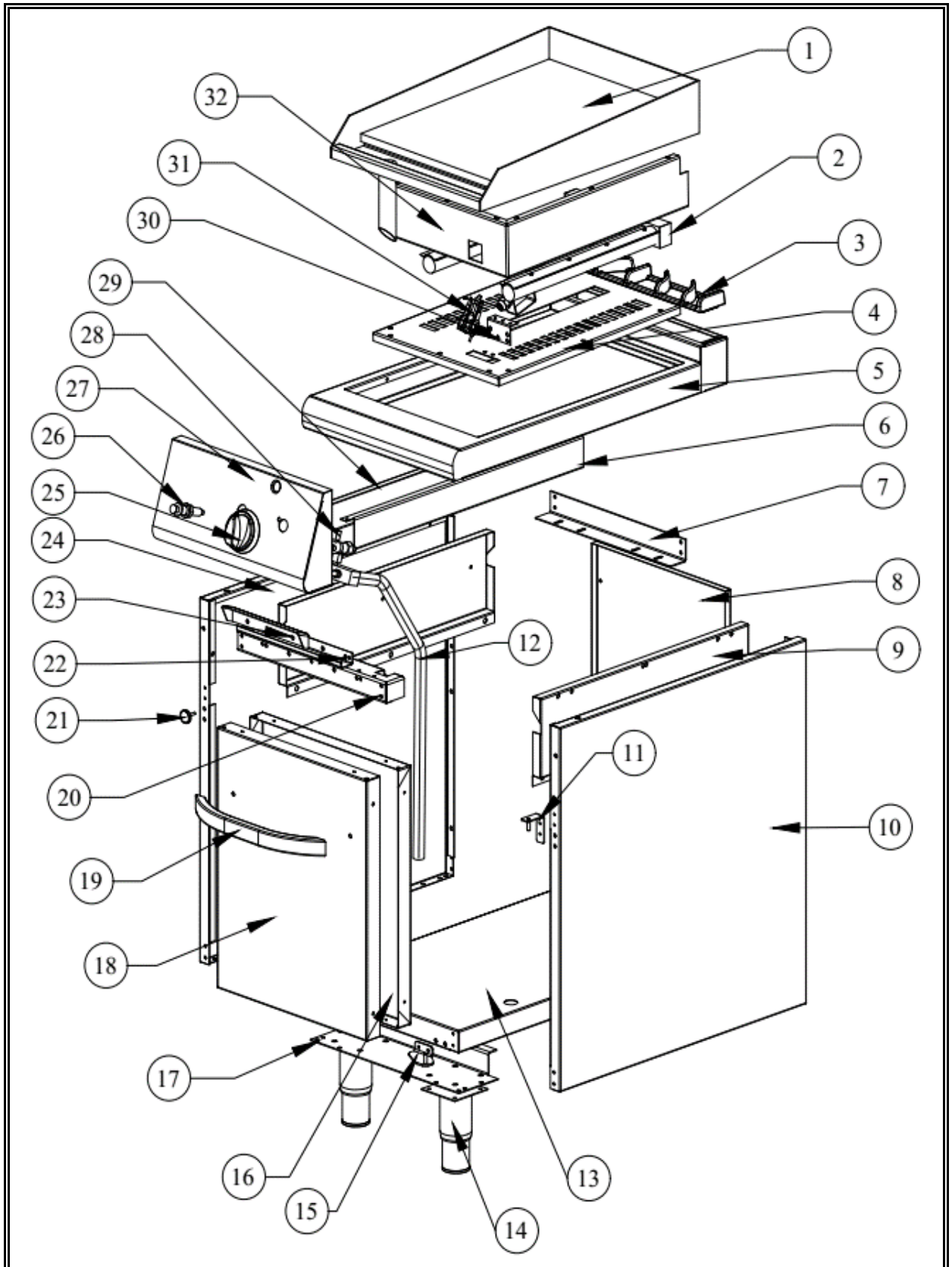


**7178.0445**

Onderdelen informatie  
Erzatzteil information  
Spare part information  
Information de pièces







| POS: | Art.No.:  | Omschrijving:             | Aantal: |
|------|-----------|---------------------------|---------|
| 1    |           | Plate                     | 1       |
| 2    | 9289.0315 | Burner                    | 1       |
| 3    | 9289.0280 | Iron Cast Chimney         | 1       |
| 4    |           | Bottom Combustion Chamber | 1       |
| 5    |           | Worktop                   | 1       |
| 6    |           | Oil Drawer Slider         | 1       |
| 7    |           | Oil Drawer Slider Support | 1       |
| 8    |           | Back Panel                | 1       |
| 9    |           | Side Panel Isolation      | 2       |
| 10   |           | Right Side Panel          | 1       |
| 11   |           | Upper Hinge               | 1       |
| 12   | 9289.0480 | Gas Collector             | 1       |
| 13   |           | Bottom Table              | 1       |
| 14   | 9289.0405 | Adjustable Legs           | 4       |
| 15   |           | Nether Hinge              | 1       |
| 16   |           | Door Inner Part           | 1       |
| 17   |           | Legs Fixing Part          | 2       |
| 18   |           | Door Outher Part          | 1       |
| 19   | 9289.0410 | Door Handle               | 1       |
| 20   |           | Front Support             | 1       |
| 21   | 9289.0725 | Magnet                    | 1       |
| 22   |           | Front Panel Fixing Part   | 1       |
| 23   |           | Gas Collector Holder      | 1       |
| 24   |           | Side Panel Left           | 1       |
| 25   | 9289.0660 | Knob                      | 1       |
| 26   | 9289.0665 | Igniter                   | 1       |
| 27   |           | Front Panel               |         |
| 28   | 9289.0075 | Gas Valve                 | 1       |
| 29   |           | Oil Drawer                | 1       |
| 30   |           | Pilot Holder              | 1       |
| 31   | 9289.0655 | Pilot                     | 1       |
| 32   |           | Top Combustion Chamber    | 1       |