

CombiSteel

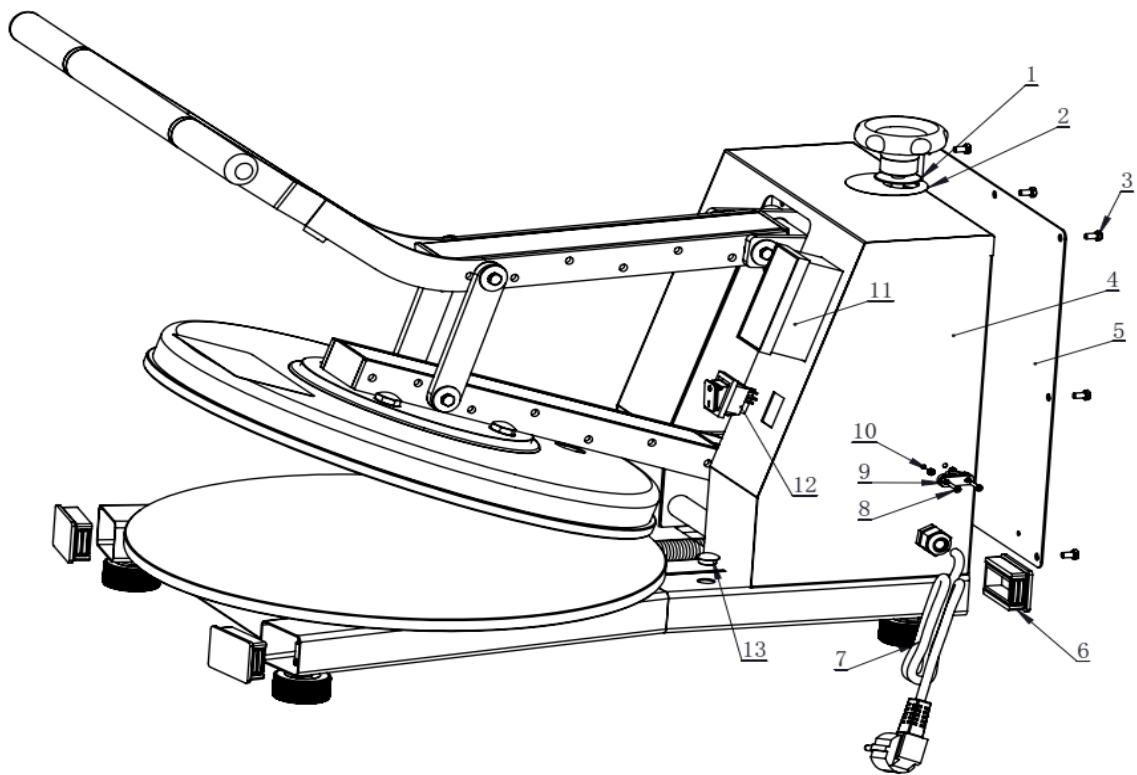
7534.0100

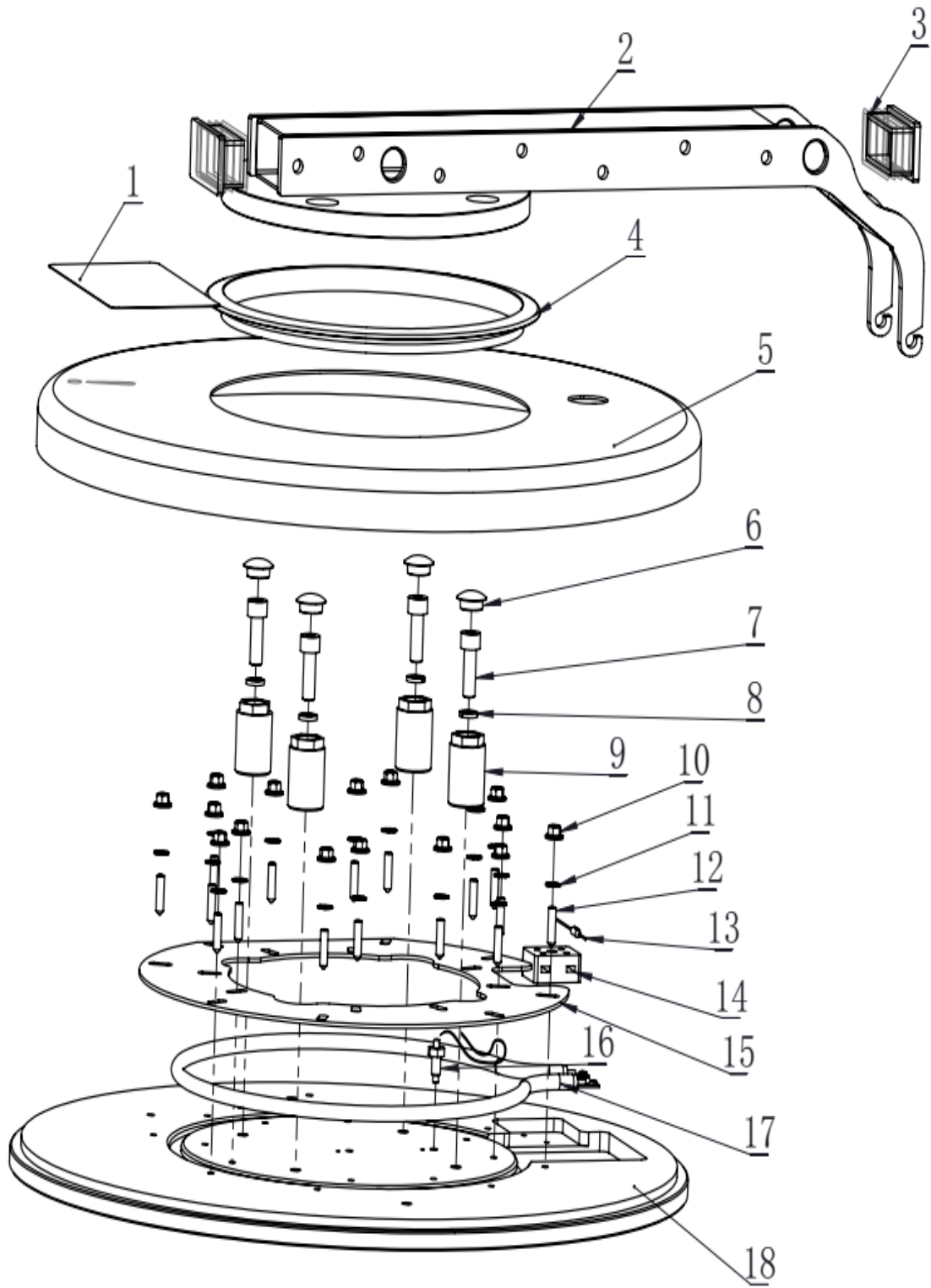
v1.0

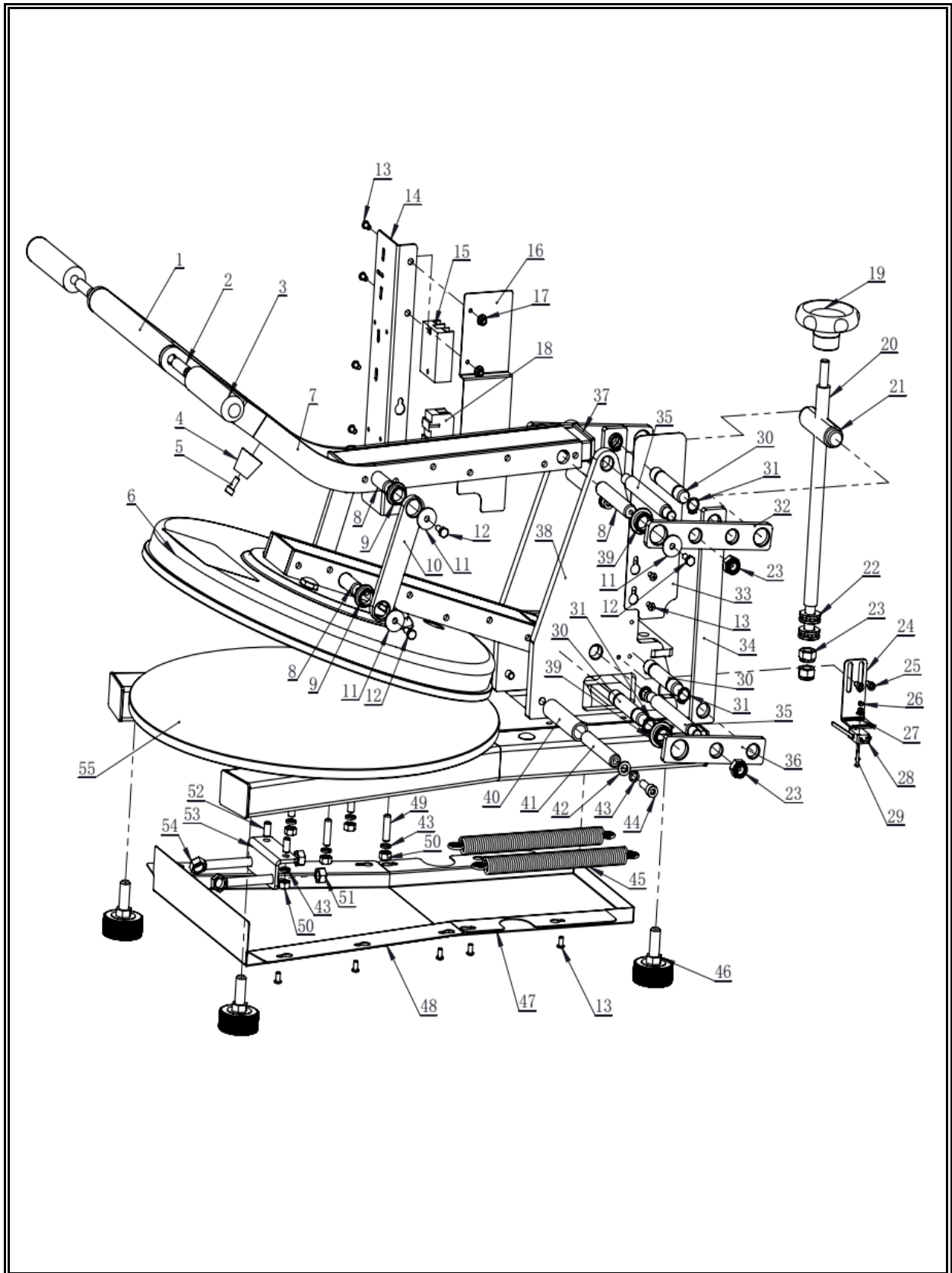
Onderdelen informatie
Erzatzteil information
Spare part information
Information de pièces













Onderdelenlijst 7534.0100

| POS: | Art.No.: | Omschrijving: | Aantal: |
|------|-------------|---|---------|
| 1-1 | ** | Flat gasket | 1 |
| 1-2 | ** | Arrow | 1 |
| 1-3 | ** | Bolt M5*10 | 7 |
| 1-4 | ** | Outer housing welding spares | 1 |
| 1-5 | ** | Housing cover back cover | 1 |
| 1-6 | ** | Plastic inner plug | 4 |
| 1-7 | CS9392.0830 | Wire | 1 |
| 1-8 | ** | Screw M3*16 | 4 |
| 1-9 | ** | Press plate | 1 |
| 1-10 | ** | Nut M3 | 4 |
| 1-11 | ** | Upper heating time temperature controller | 1 |
| 1-12 | CS9030.0511 | Switch 23AKCD2 | 1 |
| 1-13 | ** | Rubber plug | 2 |
| 2-1 | ** | High temperature marking paper | 1 |
| 2-2 | ** | Lower support welded assembly | 1 |
| 2-3 | ** | Plastic inner plug | 2 |
| 2-4 | ** | Upper disk cover rubber ring | 1 |
| 2-5 | ** | Upper plate cover | 1 |
| 2-6 | ** | Rubber plug | 4 |
| 2-7 | ** | Screw | 4 |
| 2-8 | ** | Spring washer | 4 |
| 2-9 | ** | Screw | 4 |
| 2-10 | ** | Nut | 16 |
| 2-11 | ** | Gasket | 16 |
| 2-12 | ** | Screw M5*20 | 16 |
| 2-13 | CS9008.2006 | Metal casing temperature fuse | 1 |
| 2-14 | ** | Connector | 1 |
| 2-15 | ** | Heating wire pressure plate | 1 |
| 2-16 | CS9008.2004 | Thermocouple | 1 |
| 2-17 | CS9008.2002 | Round heating wire | 1 |
| 2-18 | ** | Upper Plate | 1 |
| 3-1 | ** | Middle Presser lever | 1 |
| 3-2 | ** | Screw M12*40 | 2 |
| 3-3 | CS9008.2020 | External press lever | 2 |
| 3-4 | CS9008.2012 | Foot pad | 1 |
| 3-5 | ** | Screw M6*14 | 1 |
| 3-6 | ** | Upper heating plate assembly + Lower support welded assem | 1 |
| 3-7 | ** | Press plate welded assembly | 1 |
| 3-8 | ** | Press hand support shaft | 3 |
| 3-9 | ** | Small support plate bushing | 4 |
| 3-10 | ** | Support hinged edge plate | 2 |
| 3-11 | ** | Gasket 6.5*25*2 | 6 |
| 3-12 | ** | Bolt M6*16 | 6 |
| 3-13 | ** | Screw M5*10 | 16 |



Onderdelenlijst 7534.0100

| POS: | Art.No.: | Omschrijving: | Aantal: |
|------|-------------|---|---------|
| 3-14 | ** | Control board chassis support board | 1 |
| 3-15 | CS9008.2018 | DC controlled AC 45A solid state relay | 1 |
| 3-16 | ** | Left guard bulkhead | 1 |
| 3-17 | ** | Nut | 2 |
| 3-18 | CS9008.2016 | Fuse holder + Fuse wire | 1 |
| 3-19 | ** | Corrugated handle | 1 |
| 3-20 | ** | Lift adjusting screw | 1 |
| 3-21 | ** | Lift coupling shaft | 1 |
| 3-22 | ** | Flat thrust ball bearing | 2 |
| 3-23 | ** | Nut M12 | 6 |
| 3-24 | ** | Travel switch | 1 |
| 3-25 | ** | Screw M5*10 | 2 |
| 3-26 | ** | Nut | 2 |
| 3-27 | ** | Plain washer | 2 |
| 3-28 | CS9008.2010 | Travel switch | 1 |
| 3-29 | ** | Screw M3*16 | 2 |
| 3-30 | ** | Balanced support shaft | 3 |
| 3-31 | ** | External pliers | 6 |
| 3-32 | ** | Horizontal plate | 2 |
| 3-33 | ** | Right protective bulkhead | 1 |
| 3-34 | ** | Balanced support plate | 2 |
| 3-35 | ** | Main bearing support | 2 |
| 3-36 | ** | Balance short horizontal plate | 2 |
| 3-37 | ** | Inner plug | 2 |
| 3-38 | ** | Frame welded spares | 1 |
| 3-39 | ** | Balance shaft cushion sleeve | 4 |
| 3-40 | ** | High temperature resistant silicone hose | 1 |
| 3-41 | ** | Fixed coupling shaft | 1 |
| 3-42 | ** | Flat washer | 2 |
| 3-43 | ** | Spring washer | 8 |
| 3-44 | ** | Screw | 2 |
| 3-45 | CS9008.2008 | Spring looped link | 2 |
| 3-46 | CS9008.2014 | Foot adjustment | 4 |
| 3-47 | ** | Main sealing plate | 1 |
| 3-48 | ** | Bottom sealing plate | 1 |
| 3-49 | ** | Screw M8*30 | 4 |
| 3-50 | ** | M8 Nut | 6 |
| 3-51 | ** | M10 Nut | 2 |
| 3-52 | ** | Screw M8*16 | 2 |
| 3-53 | ** | Spring tension plate | 1 |
| 3-54 | ** | Spring adjustment | 2 |
| 3-55 | ** | Lower plate | 1 |
| | | ** = No article number known, must be requested specifically. | |



7534.0100

Combisteel BV

Lichtschip 63
3991CP Houten
The Netherlands

+31 (0)30 285 00 90
info@combisteel.com
www.combisteel.com