



Model : _____

Item : _____

Name: _____

Main Features

- Stainless steel body
- Easy to clean and hygienic
- Ergonomic design
- Adjustable feet
- Doorless models with doors
- Very durable ceramic induction hobs
- Automatic overheating protection system
- Continuous runtime
- Seamless interaction with pan
- Stable / consistent performance
- Maximum controllability
- Reaction time less than 1 second
- High temperature cooking
- Effective isolation
- Correct use of cookware

Short Form Specification

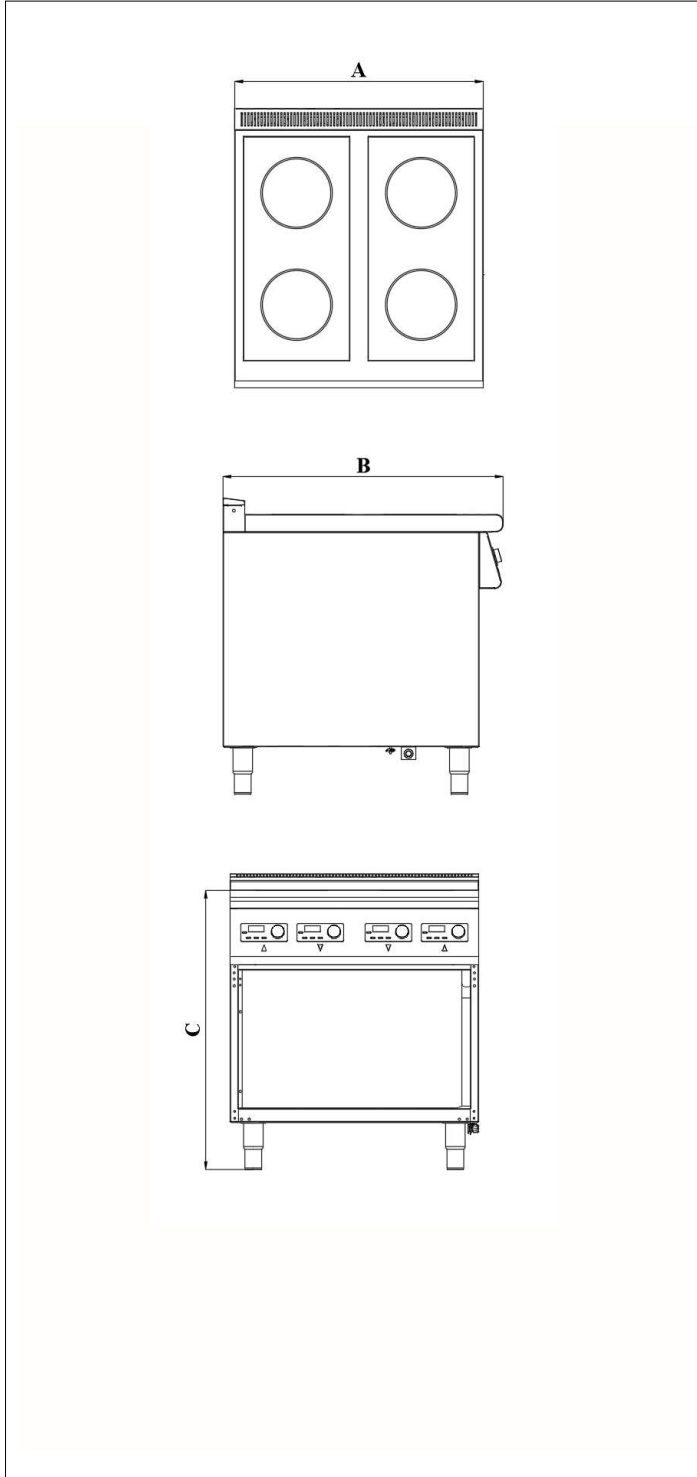
Construction

APPROVAL: _____

Electrical Induction Cooker



7178.3145



Code	7178.3145
Width (A)	800 mm
Depth (B)	900 mm
Height (C)	900 mm
Gross Weight (kg)	120 kg
Gross Volume (m ³)	1.05 m ³
Gas Inlet	
Electrical Inlet	400V 3N PE
Power	20 kW
Capacity	

Electrical Induction Cooker

900 Series

