



## Electric Table Fryers

7455.1000 - 7455.1003 - 7455.1005

7455.1006 - 7455.1007 - 7455.1008

User Manual

Gebruikershandleiding

Gebrauchsanweisung

Le mode d'emploi



7455.1000 – 7455.1006



7455.1005 – 7455.1007



7455.1003



7455.1008

# CONTENT

## ENGLISH

|  |    |
|--|----|
| Safety Regulations .....                           | 4  |
| Special safety precautions .....                   | 5  |
| Preparations before using for the first time ..... | 5  |
| Installation .....                                 | 5  |
| Use .....  | 5  |
| Deep-frying .....                                  | 5  |
| Deep frying tips.....                              | 6  |
| Solid Fat .....                                    | 6  |
| After use .....                                    | 6  |
| Draining oil.....                                  | 6  |
| Cleaning and maintenance .....                     | 6  |
| Faults .....                                       | 7  |
| Warranty.....                                      | 7  |
| Discarding & Environment .....                     | 7  |
| Spare parts.....                                   | 8  |
| 7455.1000 .....                                    | 8  |
| 7455.1003 .....                                    | 9  |
| 7455.1005 .....                                    | 9  |
| 7455.1006 .....                                    | 10 |
| 7455.1007 .....                                    | 10 |
| 7455.1008 .....                                    | 11 |
| Circuit diagram.....                               | 11 |

## NEDERLANDS

|  |    |
|--|----|
| Veiligheidsvoorschriften .....         | 13 |
| Speciale veiligheidsvoorschriften..... | 14 |
| Ingebruikname.....                     | 14 |
| Installeren .....                      | 14 |
| Gebruik .....                          | 14 |
| Frituren .....                         | 14 |
| Frituurtips .....                      | 15 |
| Vast Vet .....                         | 15 |
| Na gebruik.....                        | 15 |
| Olie aftappen .....                    | 15 |
| Reiniging en onderhoud .....           | 15 |
| Storingen .....                        | 16 |
| Garantie .....                         | 16 |
| Afdanken & Milieu .....                | 16 |
| Onderdelen .....                       | 17 |
| 7455.1000 .....                        | 17 |
| 7455.1003 .....                        | 18 |
| 7455.1005 .....                        | 18 |
| 7455.1006 .....                        | 19 |
| 7455.1007 .....                        | 19 |
| 7455.1008 .....                        | 20 |
| Circuit diagram.....                   | 20 |

## DEUTSCH

|   |    |
|---|----|
| Sicherheitsvorschriften .....           | 22 |
| Spezielle Sicherheitsvorschriften ..... | 23 |
| Vorbereitung der Inbetriebnahme .....   | 23 |
| Installation .....                      | 23 |
| Gebrauch .....                          | 23 |
| Frittieren .....                        | 23 |
| Tipps zum Frittieren .....              | 24 |
| Festes Fett.....                        | 24 |
| Nach dem Gebrauch .....                 | 24 |
| Öl ablassen.....                        | 24 |
| Reinigung und Wartung .....             | 24 |
| Störungen .....                         | 25 |
| Garantie .....                          | 25 |
| Entsorgung & Umwelt.....                | 25 |
| Ersatzteile .....                       | 26 |
| 7455.1000 .....                         | 26 |
| 7455.1003 .....                         | 27 |
| 7455.1005 .....                         | 27 |
| 7455.1006 .....                         | 28 |
| 7455.1007 .....                         | 28 |
| 7455.1008 .....                         | 29 |
| Circuit diagram.....                    | 29 |

## FRANÇAIS

|   |    |
|---|----|
| Consignes de sécurité .....                     | 31 |
| Consignes particulières de sécurité .....       | 32 |
| Préparation avant la première utilisation ..... | 32 |
| Installation .....                              | 32 |
| Utilisation.....                                | 32 |
| Friture .....                                   | 32 |
| Conseils de friture.....                        | 33 |
| Graisse consistante .....                       | 33 |
| Après utilisation .....                         | 33 |
| Vider l'huile.....                              | 33 |
| Nettoyage et entretien .....                    | 33 |
| Défauts.....                                    | 34 |
| Garantie .....                                  | 34 |
| Mise au rebut & Environnement .....             | 34 |
| Pièces de rechange .....                        | 35 |
| 7455.1000 .....                                 | 35 |
| 7455.1003 .....                                 | 36 |
| 7455.1005 .....                                 | 36 |
| 7455.1006 .....                                 | 37 |
| 7455.1007 .....                                 | 37 |
| 7455.1008 .....                                 | 38 |
| Circuit diagram.....                            | 38 |

Dear Customer,

Thank you for purchasing this appliance. Please read these user instructions carefully before connecting the appliance in order to prevent damage due to incorrect use. Read the safety instructions in particular very carefully.

## Safety Regulations

- Incorrect operation and improper use of the appliance can seriously damage the appliance and injure users.
- The appliance may only be used for the purpose it was intended and designed for. The manufacturer is not liable for any damage caused by incorrect operation and improper use.
- Keep the appliance and electrical plug away from water and any other liquids. In the unlikely event that the appliance should fall into water, immediately pull the plug out of the socket and have the appliance checked by a certified technician. **Not following these instructions could give rise to life-threatening situations.**
- Never try to open the casing of the appliance yourself.
- Do not insert any objects in the casing of the appliance.
- Do not touch the plug with wet or damp hands.
- Regularly check the plug and cord for any damage. Should the plug or cord be damaged have it/them repaired by a certified repair company.
- Do not use the appliance after it has fallen or is damaged in any other way. Have it checked and repaired, if necessary, by a certified repair company.
- Do not try to repair the appliance yourself. **This could give rise to life-threatening situations.**
- Make sure the cord does not come in contact with sharp or hot objects and keep it away from open fire. To pull the plug out of the socket, always pull on the plug and not on the cord.
- Make sure that no one can accidentally pull the cord (or extension cord) loose or trip over the cord.
- Always keep an eye on the appliance when in use.
- Children do not understand that incorrect use of electrical appliances can be dangerous. Therefore, never let children use electrical appliances without supervision.
- Always pull the plug out of the socket when the appliance is not being used and always before cleaning.
- **Warning!** As long as the plug is in the socket the appliance is connected to the power source.
- Turn off the appliance before pulling the plug out of the socket.
- Never carry the appliance by the cord.
- Do not use any extra devices that are not supplied along with the appliance.
- Only connect the appliance to an electrical outlet with the Voltage and frequency mentioned on the appliance label.
- Avoid overloading.
- Turn off the appliance after use by removing the plug from the socket.
- Always remove the plug from the socket when filling or cleaning the appliance.
- The electrical installation must comply with the applicable national and local regulations.
- This appliance is not intended for use by persons (including children) with reduced physical, sensory or mental capabilities, or lack of experience and knowledge, unless they have been given supervision or instruction concerning use of the appliance by a person responsible for **their safety**.

## Special safety precautions

- We recommend the use of frying oil or liquid frying fat in this deep fryer. If you however will use solid frying fat, please heat the fat in steps and read "Deep frying tips" carefully.
- Always remove the plug from the socket when filling or cleaning the deep fryer.
- The electrical installation must satisfy the applicable national and local regulations.
- To avoid the risk of fire, do not allow the oil level to drop below the minimum. Always use plenty of oil in the bowl and control this during use.
- Never use old oil as this increases the risk of fire.
- General rule: use up to 100 grams defrosted chips in 1 liter of oil. For other frozen deep frying products, follow the directions on the package.

## Preparations before using for the first time

- Check to make sure the appliance is undamaged. In case of any damage, contact your supplier immediately and do NOT use the appliance.
- Remove all the packing material and protection film (if applicable).
- Clean the appliance with luke-warm water and a soft cloth.
- Place the appliance on a level and steady surface, unless mentioned otherwise.
- Make sure there is enough clearance around the appliance for ventilation purposes.
- Position the appliance in such a way that the plug is accessible at all times.

## Installation

- Remove the white protective foil from the stainless steel parts.
- Install the element holder on the support.

## Use

### Attention : Plug the appliance on a separate group of 16 ampere

For a double deep fryer, you need 2 separate groups.

- Remove the plug from the socket.
- Fill the container with oil or hydrogenated oil until the MAX line.  
Note! Solid fats must be preheated before filling, this avoids burnt fat and overloading (See "Solid Fat").
- Plug the earthed plug into an earthed socket.
- Turn on the appliance by using the green on/off button on the operating panel. The green lamp in the switch will light.
- Set the thermostat to the desired temperature. The orange lamp will light.
- When the set temperature is reached, the orange lamp goes out.
- During deep frying the temperature lamp will light off and on to indicate that the heating element will maintain its indicated temperature.
- You can now use the deep fryer.

## Deep-frying

The deep fryer is designed with a unique cold zone to allow crumbs and residue to sink to the bottom this also enables the usable life of the fat/oil to extend considerably. Regularly check if there is sufficient oil or fat in the container. The level should never be below the MIN line.

## Deep frying tips

- Preferably use only liquid frying oil or liquid frying fat.
- The recommended temperature for frying chips and snacks is 180°C max.
- Remove ice and crumbs from frozen foods.
- Do not deep-fry too much at one time. This can cause the oil or fat to cool down too much. Cooled down oil/fat does not properly sear the surface of the food, so that more fat will be absorbed. When used intensively, crumbs and other debris should be filtered out of the oil/fat.
- Replace oil or fat in time. Use test strips or test equipment regularly to track when oil/fat should be replaced.
- Before oil starts to foam, smoke or gets too viscous you should replace it. Also replace the oil/fat when it has a strong smell or taste.
- Do not mix fresh oil with used oil.

## Solid Fat

- If you use against our advice solid fat anyway: heat the oil slowly in the lowest position until melted. When the fat has melted you can set the proper frying temperature.
- When using solid fat, allow the blocks of fat to melt slowly on a moderate heat in a normal frying pan. Carefully pour the melted fat into the deep fat fryer. Plug in the mains plug and switch on the deep fat fryer.
- Remove the deep frying basket after use from the fat. This prevents the basket becoming stuck in the solidified fat.

## After use

- Turn off the appliance by switching off the switch and removing the plug from the socket.
- Do not move the deep fryer until it and its contents have cooled down.
- Put the lid on the deep fryer, so that the fat does not age.

## Draining oil

CAUTION! Liquefied oil is hot and can cause serious burns. The tap can become very hot during tapping. If oil comes in contact with the skin, cool with lukewarm water. After which contact a doctor.

### **BEFORE DRAINING OIL: COOL DOWN THE OIL TILL 50°C.**

- Place a tank under the drain (wait till the oil is cooled down till  $\pm 50^{\circ}$  C)
- Press the knob of the tap and turn leftwards. The oil will drain from the container.
- When the oil has drained from the container, turn the knob back. Check if the knob is locked.

## Cleaning and maintenance

- Always remove the plug from the socket before cleaning the appliance.
- Beware: Never immerse the appliance in water or any other liquid!
- Clean the outside of the appliance with a damp cloth (water with mild detergent).
- Never use aggressive cleaning agents, abrasives or chlorinated cleaners. Do not use any sharp or pointed objects. Do not use petrol or solvents! Clean with a damp cloth and detergent if necessary. Do not use abrasive materials.

## Faults

| Fault  | Symptom   | Possible cause  | Possible solution  |
|--|---|---|--|
| Appliance does not do anything   | Green switch light and orange lamp do not light | No mains voltage  | Check the electrical installation  |
|  |   | Switch is off   | Turn on the switch<br>Switch defective   |
| Appliance remains cold   | Green switch light and orange lamp do not light | Check if the thermostat is on                                       | Turn on the thermostat   |
|  |   | Thermostat defective  | Contact your supplier  |
| Appliance remains cold   | Green switch light and orange lamp light        | Detachable control panel is not correctly positioned on the support | Install the detachable control panel correct on the support. See Installation. |
|  |   | Overload circuit breaker tripped                                    | Reset the overload circuit breaker. See note 1)                                |
|  |   | Mirco switch defective  | Contact your supplier  |
| Appliance does not reach the set temperature<br>/ long frying time<br>/ too high temperature |   | Overload circuit breaker defective                                  | Contact your supplier  |
|  |   | Thermostat defective  | Contact your supplier  |

**If after these controls, the malfunctioning continues, it is advisable to contact your supplier for assistance. In case of any doubt, always contact your supplier!**

### 1) Reset overload circuit breaker

- Allow the deep fryer to cool down.
- Remove the detachable control panel from the support.
- Unscrew the black protective cap from the bottom of the detachable control panel.
- Press the “reset button” of the overload circuit breaker. You should hear a clear click.
- Screw the black protective cap back on.
- Reinstall the detachable control panel on the support.

## Warranty

Any defect affecting the functionality of the appliance that becomes apparent within one year after purchase will be corrected by free repair or replacement provided the appliance has been used and maintained in accordance with the instructions and has not been abused or misused in any way. Your statutory rights are not affected. If the appliance is claimed under warranty, state where and when it was bought and include proof of purchase (f.e. receipt).

In line with our policy of continuous product development we reserve the right to change the product, packaging and documentation specifications without notice.

## Discarding & Environment

At the end of the life of the appliance, please dispose of the appliance according to the regulations and guidelines applicable at the time. **Throw packing materials like plastic and boxes in the appropriate containers. Used frying oils and fat dispose according to legal regulations and guidelines.**

# Spare parts

7455.1000

| 21  | Power Switch        | 1   | 38    | Filter                     | 1   |
|-----|---------------------|-----|-------|----------------------------|-----|
| 20  | Electric Box        | 1   | 37    | Heating Element Support    | 1   |
| 17  | Microswitch         | 1   | 36    | Heating Element            | 1   |
| 16  | Terminal            | 1   | 35    | Support                    | 2   |
| 15  | Cable Lock          | 1   | 34    | Clamp 2                    | 4   |
| 14  | Relay               | 1   | 33    | Thermostat                 | 1   |
| 13  | Security Thermostat | 1   | 32    | Clamp 1                    | 2   |
| 12  | Handle for Cover    | 1   | 31    | Oil Indicator              | 1   |
| 11  | Cover               | 1   | 30    | Pushhook for Frying Basket | 1   |
| 8   | Oil letout Pipe     | 1   | 29    | Turning Axis               | 4   |
| 7   | Handle for Basket   | 1   | 27    | Heating Indicator Light    | 1   |
| 6   | Frying Basket       | 1   | 26    | Power Indicator Light      | 1   |
| 5   | Valve               | 1   | 25    | Base of the Kon            | 1   |
| 3   | Gasket              | 1   | 24    | Knob                       | 1   |
| 2   | Body                | 1   | 23    | PVC                        | 1   |
| 1   | Plastic Leg         | 4   | 22    | Electric Box Cover         | 1   |
| NO. | Name                | QTY | NO.   | Name                       | QTY |
|     |                     |     | Model | 7455 1000                  |     |



**7455.1003**

|     |                     |     |     |                            |     |
|-----|---------------------|-----|-----|----------------------------|-----|
| 15  | base of the Knob    | 1   | 30  | Clamp                      | 1   |
| 14  | Knob                | 1   | 29  | Heating Element Support    | 1   |
| 13  | Power Switch        | 1   | 28  | Heating Element            | 1   |
| 12  | Electric Box Cover  | 1   | 27  | Support                    | 2   |
| 11  | Terminal            | 1   | 26  | Clamp                      | 4   |
| 10  | Cable Lock          | 1   | 25  | Thermostat                 | 1   |
| 9   | Security Thermostat | 1   | 24  | Pushhook For Frying Basket | 1   |
| 8   | Cover Handle        | 1   | 23  | Oil Indicator              | 1   |
| 7   | Cover               | 1   | 22  | Microswitch                | 1   |
| 6   | Oil Pan             | 1   | 21  | Turning Axis               | 4   |
| 4   | Body                | 1   | 19  | PVC                        | 1   |
| 3   | Basket Handle       | 1   | 18  | Electric Box               | 1   |
| 2   | Frying Basket       | 1   | 17  | Heating Indicator Light    | 1   |
| 1   | Plastic Leg         | 4   | 16  | Power Indicator Light      | 1   |
| NO. | Name                | QTY | NO. | Name                       | QTY |

|       |           |
|-------|-----------|
| Model | 7455 1003 |
|-------|-----------|

**7455.1005**

|     |                     |     |     |                            |     |
|-----|---------------------|-----|-----|----------------------------|-----|
| 21  | Power Switch        | 2   | 38  | Filter                     | 2   |
| 20  | Electric Box        | 2   | 37  | Heating Element Support    | 2   |
| 17  | Microswitch         | 2   | 36  | Heating Element            | 2   |
| 16  | Terminal            | 2   | 35  | Support                    | 4   |
| 15  | Cable Lock          | 2   | 34  | Clamp 2                    | 8   |
| 14  | Relay               | 2   | 33  | Thermostat                 | 2   |
| 13  | Security Thermostat | 2   | 32  | Clamp 1                    | 2   |
| 12  | Handle for Cover    | 2   | 31  | Oil Indicator              | 2   |
| 11  | Cover               | 2   | 30  | Pushhook For Frying Basket | 2   |
| 8   | Oil letout Pipe     | 2   | 29  | Turning Axis               | 8   |
| 7   | Handle for Basket   | 2   | 27  | Heating Indicator Light    | 2   |
| 6   | Frying Basket       | 2   | 26  | Power Indicator Light      | 2   |
| 5   | Valve               | 1   | 25  | Base of the Knob           | 2   |
| 3   | Gasket              | 2   | 24  | Knob                       | 2   |
| 2   | Body                | 1   | 23  | PVC                        | 2   |
| 1   | Plastic Leg         | 4   | 22  | Electric Box Cover         | 2   |
| NO. | Name                | QTY | NO. | Name                       | QTY |

|       |           |
|-------|-----------|
| Model | 7455 1005 |
|-------|-----------|

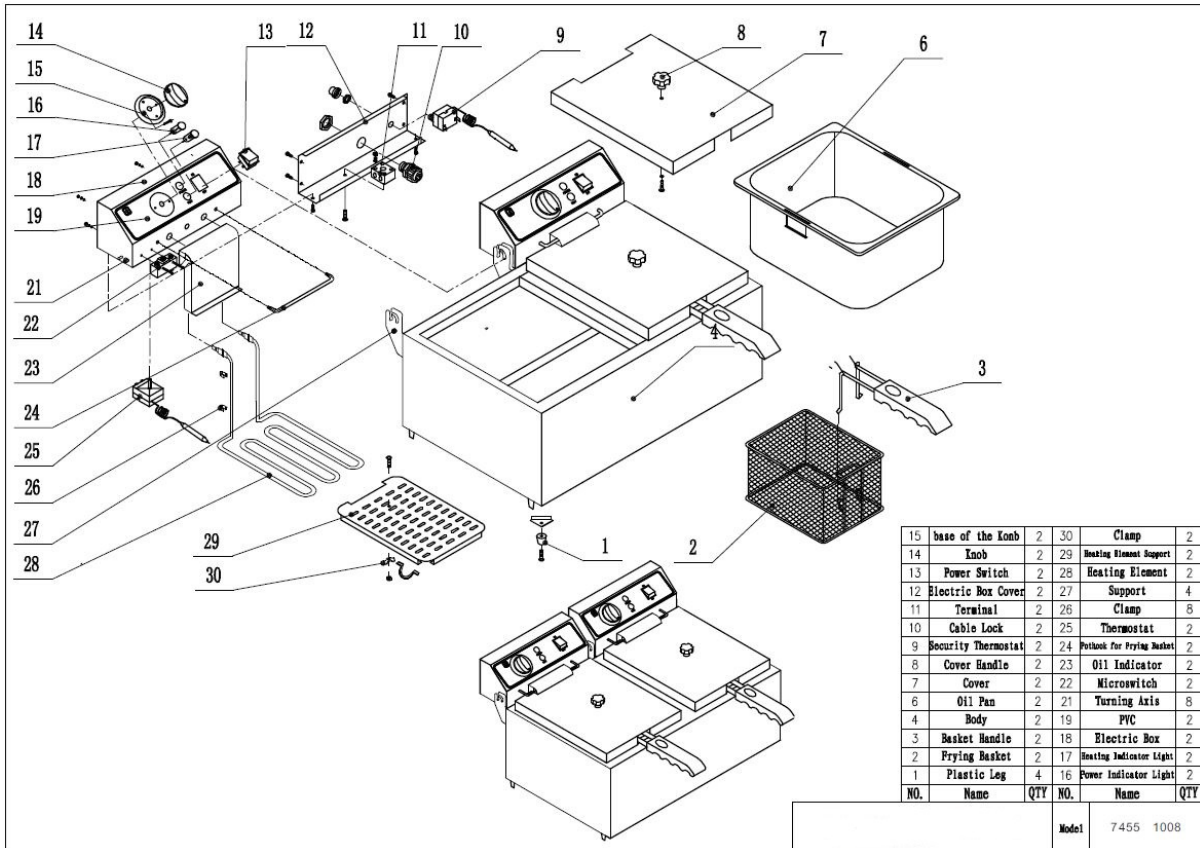
7455.1006

|     |                     |     |     |                           |     |
|-----|---------------------|-----|-----|---------------------------|-----|
| 21  | Power Switch        | 1   | 38  | Filter                    | 1   |
| 20  | Electric Box        | 1   | 37  | Heating Element Support   | 1   |
| 17  | Microswitch         | 1   | 36  | Heating Element           | 1   |
| 16  | Terminal            | 1   | 35  | Support                   | 2   |
| 15  | Cable Lock          | 1   | 34  | Clamp 2                   | 4   |
| 14  | Relay               | 1   | 33  | Thermostat                | 1   |
| 13  | Security Thermostat | 1   | 32  | Clamp 1                   | 2   |
| 12  | Handle for Cover    | 1   | 31  | Oil Indicator             | 1   |
| 11  | Cover               | 1   | 30  | Pushbar For Frying Basket | 1   |
| 8   | Oil Inlet Pipe      | 1   | 29  | Turning Axis              | 4   |
| 7   | Handle for Basket   | 1   | 27  | Heating Indicator Light   | 1   |
| 6   | Frying Basket       | 1   | 26  | Power Indicator Light     | 1   |
| 5   | Valve               | 1   | 25  | Base of the Kon           | 1   |
| 3   | Gasket              | 1   | 24  | Knob                      | 1   |
| 2   | Body                | 1   | 23  | PVC                       | 1   |
| 1   | Plastic Leg         | 4   | 22  | Electric Box Cover        | 1   |
| NO. | Name                | QTY | NO. | Name                      | QTY |

7455.1007

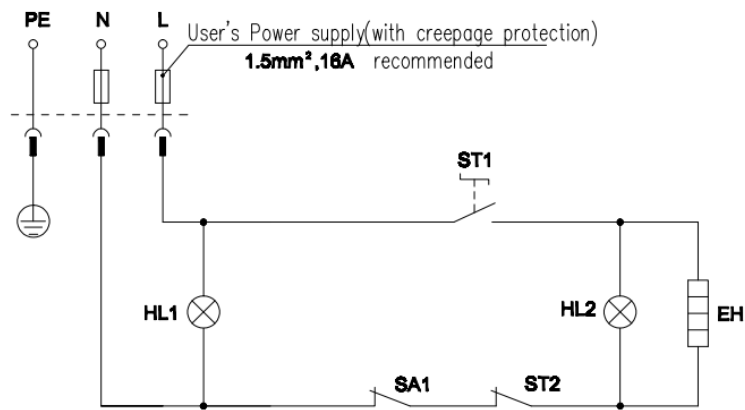
|     |                     |     |     |                           |     |
|-----|---------------------|-----|-----|---------------------------|-----|
| 21  | Power Switch        | 2   | 38  | Clamb -                   | 2   |
| 20  | Electric Box        | 2   | 37  | Heating Element Support   | 2   |
| 17  | Microswitch         | 2   | 36  | Heating Element           | 6   |
| 16  | Terminal            | 2   | 35  | Support                   | 4   |
| 15  | Cable Lock          | 2   | 34  | Clamp 2                   | 8   |
| 14  | Contactora          | 2   | 33  | Thermostat                | 2   |
| 13  | Security Thermostat | 2   | 32  | Clamp 1                   | 2   |
| 12  | Handle for Cover    | 2   | 31  | Oil Indicator             | 2   |
| 11  | Cover               | 2   | 30  | Pushbar For Frying Basket | 2   |
| 8   | Oil Inlet Pipe      | 2   | 29  | Turning Axis              | 8   |
| 7   | Handle for Basket   | 2   | 27  | Heating Indicator Light   | 2   |
| 6   | Frying Basket       | 2   | 26  | Power Indicator Light     | 2   |
| 5   | Valve               | 1   | 25  | Base of the Kon           | 2   |
| 3   | Gasket              | 2   | 24  | Knob                      | 2   |
| 2   | Body                | 1   | 23  | PVC                       | 2   |
| 1   | Plastic Leg         | 4   | 22  | Electric Box Cover        | 2   |
| NO. | Name                | QTY | NO. | Name                      | QTY |

**7455.1008**



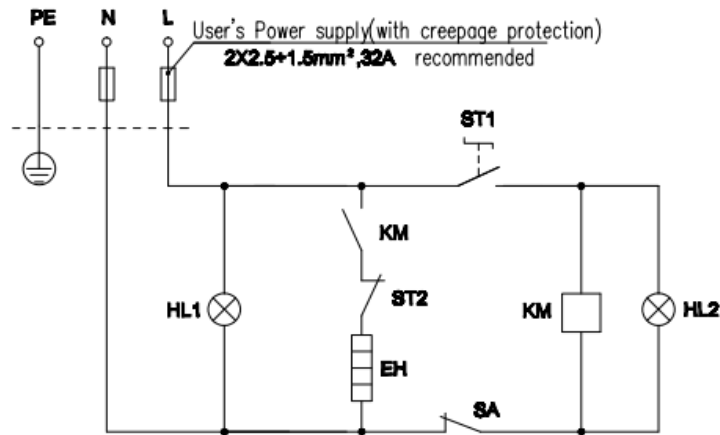
**Circuit diagram**

EF-061 EF-062 EF-081 EF-082 EF-101V EF-102V  
 EF-131V EF-132V EF-171 EF-172 EFB-101V EFB-102V  
 EFB-151V EFB-152V EFB-102V/C EFB-152V /C  
 AC 220~240V 50~60Hz 2~3.5kw



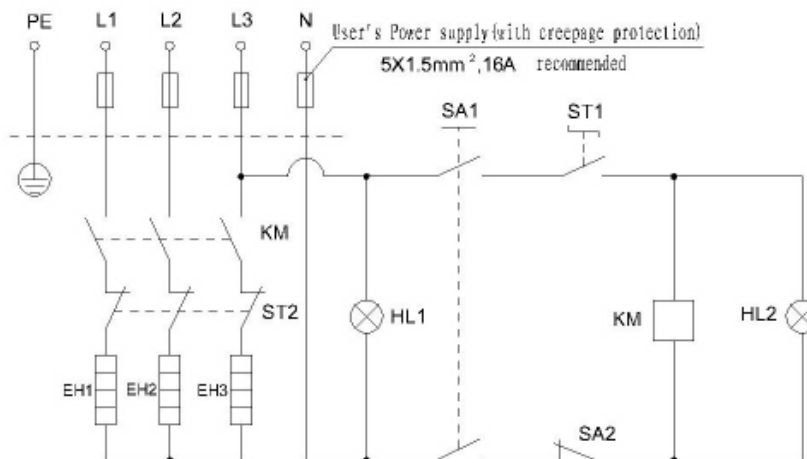
SA1: Microswitch  
 ST1: Thermostat  
 ST2: Security Thermostat  
 HL1: Power Lamp  
 HL2: Heating Lamp  
 EH: Heating Element

EF-171 EF-172 EF-171/C EF-172 /C  
 EF-191V EF-192 V EF-161V/C EF-162 V /C  
 EF-161V EF-162 V EFB-222V/C  
 EFB-221V EFB-222 V  
 (不带电源开关)  
 AC 220-240V 50-60Hz 3.5-5Kw



**HL1: Power Light**                      **SA: Microswitch**  
**HL2: Heating Light**                  **EH: Heating Element**  
**ST1: Thermostat**                      **KM: Relay**  
**ST2: Security Thermostat(32A)**

EF-171 EF-172 EF-171/C EF-172 /C  
 EF-191 EF-192 EF-161V/C EF-162 V /C  
 EF-161V EF-162 V EFB-222V/C  
 EFB-221V EFB-222 V  
 三相, AC 380-415V 3.5-6Kw



**KM: Contactor**                              **HL1: Power Lamp**  
**ST1: Thermostat**                            **HL2: Heating Lamp**  
**ST2: Security Thermostat**                **SA1: Power Switch**  
**EH1~3: Heating Element**                **SA2: Microswitch**

Geachte klant,

Hartelijk dank voor de aankoop van dit apparaat. Leest u deze gebruiksaanwijzing zorgvuldig voordat u het apparaat aansluit, dit om schade door verkeerd gebruik te voorkomen. Lees vooral de veiligheidsvoorschriften aandachtig door.

## Veiligheidsvoorschriften

- Onjuiste bediening en verkeerd gebruik van het apparaat kan ernstige schade aan het apparaat en verwonding van personen tot gevolg hebben.
- Het apparaat mag alleen worden gebruikt voor het doel waarvoor het werd ontworpen. De fabrikant aanvaardt geen enkele aansprakelijkheid voor schade als gevolg van onjuiste bediening en verkeerd gebruik.
- Zorg dat het apparaat en de stekker niet met water of een andere vloeistof in aanraking komt. Mocht het apparaat onverhoopt in het water vallen, trek dan onmiddellijk de stekker uit het stopcontact en laat het apparaat controleren door een erkend vakman. Niet-naleving hiervan kan levensgevaar opleveren.
- Probeer nooit zelf de behuizing van het apparaat te openen.
- Steek geen voorwerpen in de behuizing van het apparaat.
- Raak de stekker niet met natte of vochtige handen aan.
- Controleer stekker en snoer regelmatig op eventuele beschadiging. Indien stekker of snoer beschadigd is, laat het bij een erkend reparatiebedrijf repareren.
- Gebruik het apparaat niet nadat het is gevallen of op andere wijze beschadigd is. Laat het bij een erkend reparatiebedrijf controleren en zo nodig repareren.
- Probeer het apparaat niet zelf te repareren. Dit kan levensgevaar opleveren.
- Zorg dat het snoer niet met scherpe of hete voorwerpen in aanraking komt en houd het uit de buurt van open vuur. Als u de stekker uit het stopcontact wilt trekken, pak dan altijd de stekker zelf beet en trek nooit aan het snoer.
- Zorg dat niemand het snoer (of verlengsnoer) abusievelijk kan lostrekken of erover kan struikelen.
- Houd het apparaat als u het gebruikt steeds in de gaten.
- Kinderen zien de gevaren van onjuist gebruik van elektrische apparaten niet. Laat kinderen daarom nooit zonder toezicht met elektrische apparatuur werken.
- Trek altijd de stekker uit het stopcontact als het apparaat niet wordt gebruikt en telkens voordat het wordt schoongemaakt.
- Gevaar! Zo lang de stekker in het stopcontact zit, staat het apparaat onder de netspanning.
- Schakel het apparaat uit voordat u de stekker uit het stopcontact trekt.
- Draag het apparaat nooit aan het snoer.
- Gebruik geen extra hulpmiddelen die niet bij het apparaat zijn meegeleverd.
- Sluit het apparaat alleen aan op een stopcontact met de op het typeplaatje aangegeven spanning en frequentie.
- Vermijd overbelasting.
- Schakel de apparatuur na gebruik uit door de stekker uit het stopcontact te verwijderen.
- Tijdens het bijvullen of schoonmaken altijd de stekker uit het stopcontact verwijderen.
- De elektrische installatie dient te voldoen aan de nationale en plaatselijk geldende voorschriften.
- Dit apparaat is niet geschikt voor gebruik door personen (inclusief kinderen) met een verminderd fysiek, sensorisch of geestelijk vermogen, of gebrek aan ervaring en kennis, tenzij supervisie of instructie is gegeven betreffende het gebruik van het apparaat door een persoon welke verantwoordelijk is voor hun veiligheid.

## Speciale veiligheidsvoorschriften

- Voor het gebruik in deze frituurpan adviseren wij u frituurolie of vloeibaar frituurvet. Indien desondanks vast vet wordt gebruikt dient u dit in stappen op te warmen. Zie “Vast Vet”
- Tijdens het bijvullen of schoonmaken altijd de stekker uit het stopcontact verwijderen.
- De elektrische installatie dient te voldoen aan de nationale en plaatselijk geldende voorschriften.
- Indien de olie onder het minimumniveau zakt, ontstaat er brandgevaar. Zorg altijd voor voldoende olie in de bak en controleer dit tijdens gebruik.
- Gebruik geen oude olie, dit vergroot de kans op brandgevaar.
- Vuistregel: gebruik maximaal 100 gram ontdooide patat op 1 liter olie. Voor overige diepvriesproducten geldt: volg de aanwijzingen op de verpakking.

## Ingebruikname

- Controleer of het apparaat niet beschadigd is. Neem in geval van beschadiging onmiddellijk contact op met uw leverancier en gebruik het apparaat **NIET**.
- Verwijder al het verpakkingsmateriaal en de eventueel aanwezige beschermfolie.
- Reinig het apparaat met handwarm water en een zachte doek.
- Plaats het apparaat waterpas op een stabiele ondergrond, tenzij anders aangegeven.
- Zorg ervoor dat er rondom het apparaat genoeg ruimte vrij blijft voor de afvoer van warmte.
- Plaats het apparaat zo dat de stekker te allen tijde bereikbaar is.

## Installeren

- Verwijder de witte beschermfolie van de roestvrijstalen delen.
- Plaats de elementhouder op de steun.

## Gebruik

**Let op : Sluit het apparaat aan op een aparte groep van 16 Ampère.**

Bij een dubbele friteuse heeft u hiervoor 2 aparte groepen nodig.

- Verwijder de stekker uit het stopcontact.
- Vul de bak met olie tot de MAX streep. LET OP! Bij vaste vetsoorten het vet voorverwarmen alvorens te vullen, dit voorkomt verbranden van het vet en overbelasting (Zie “Vast Vet”).
- Stop de randaarde stekker in een geaard stopcontact.
- Schakel het apparaat in door de groene aan-/uitknop op het bedieningspaneel. De groene lamp op de aan-/uitschakelaar gaat branden.
- Stel met de thermostaat de gewenste temperatuur in. Het oranje lampje gaat branden.
- Als de ingestelde temperatuur is bereikt gaat het oranje lampje uit.
- Tijdens het frituren gaat het temperatuurlampje af en toe aan en uit om aan te geven dat het verwarmings-element wordt in- en uitgeschakeld om te zorgen dat de juiste temperatuur gehandhaafd blijft.
- U kunt nu frituren. De friteuse is voorzien van een unieke koude zone waardoor de olie aanzienlijk langer mee zal gaan.

## Frituren

De friteuse is voorzien van een unieke koude zone waardoor kruimels en bakresten naar de bodem zinken en de olie aanzienlijk langer mee zal gaan. Controleer regelmatig of er voldoende olie in de bak zit. Het niveau mag nooit onder de MIN indicatie komen!

## Frituurtips

- Gebruik bij voorkeur alleen vloeibaar frituurvet of –olie
- De aanbevolen temperatuur voor frites en snacks is 180°C maximaal.
- Verwijder ijs en kruimels van de diepvriesproducten.
- Frituur niet te veel te gelijk hierdoor koelt de olie te snel af en kunnen de frituurproducten onvoldoende snel dichtschroeien waardoor ze meer vet op zullen nemen. Bij intensief gebruik dient u steeds de bakresten uit de olie te zeven
- Vervang de olie tijdig. Gebruik regelmatig test strips of meetapparatuur om bij te houden wanneer de olie vervangen moet worden.
- Voordat de olie gaat schuimen, walmen of stroperig wordt, dient u dit te vervangen. Ook wanneer het een sterke geur of smaak krijgt.
- Meng geen verse olie met gebruikte.

## Vast Vet

- Indien u tegen ons advies in toch vast frituurvet gebruikt: warm het vet dan op de laagste stand langzaam op totdat het gesmolten is. Wanneer het vet gesmolten is, dient u pas de juiste frituurtemperatuur in te stellen.
- Bij gebruik van nieuw vet smelt u de vetblokken eerst langzaam op lage temperatuur in een normale pan.
- Giet het gesmolten vet voorzichtig in de frituurpan. Steek dan pas de stekker in het stopcontact en schakel de frituurpan in.
- Verwijder het mandje na gebruik uit het vet. Dit voorkomt dat het mandje in het gestolde vet vast gaat zitten.

## Na gebruik

- Schakel de apparatuur uit door de schakelaar uit te zetten en de stekker uit het stopcontact te verwijderen.
- Laat de frituurpan op zijn plaats staan tot apparaat en inhoud zijn afgekoeld.
- Plaats de deksel op de friteuse, zodat de olie niet verouderd.

## Olie aftappen

LET OP! Vloeibare olie is heet en kan ernstige brandwonden veroorzaken.

De kraan kan erg heet worden tijdens het aftappen.

Indien olie in aanraking komt met lichaamsdelen, koelen met lauw water. Vervolgens contact opnemen met een arts.

### **Alvorens olie af te tappen: LAAT DE OLIE AFKOELEN TOT 50°C .**

- Zet een opvangbak onder de uitloop (wacht tot de olie is afgekoeld tot  $\pm 50^{\circ}\text{C}$ )
- Knop van de kraan indrukken en draai linksom. De olie loopt uit de bak.
- Als de olie uit de bak is gelopen draai de knop weer terug. Controleer of de knop weer is vergrendeld.

## Reiniging en onderhoud

- Trek voordat u het apparaat schoonmaakt altijd eerst de stekker uit het stopcontact .
- Let op: Nooit het apparaat in water of een andere vloeistof onderdompelen!
- De buitenkant maakt u schoon met een vochtig doekje (water met mild reinigingsmiddel).
- Gebruik nooit agressieve schoonmaakmiddelen, schuurmiddelen of chloorhoudende reinigingsmiddelen. Geen scherpe en puntige voorwerpen gebruiken. Geen benzine of oplosmiddelen gebruiken! Schoonmaken met een vochtige doek en eventueel afwasmiddel, geen schurende materialen gebruiken.

## Storingen

| Storing   | Verschijsel  | Mogelijke oorzaak                            | Mogelijke oplossing                                    |
|---|--|--|--|
| Apparaat doet helemaal niets  | Groene schakelaar brandt niet en oranje lampje brandt niet | Geen netspanning                             | Controleer de elektrische installatie                  |
|   |  | Schakelaar staat uit                         | Schakelaar aanzetten<br>Schakelaar defect              |
| Apparaat blijft koud  | Groene schakelaar brandt en oranje lampje brandt niet      | Check of de thermostaat aan staat            | Zet de thermostaat aan                                 |
|   |  | Thermostaat defect                           | Neem contact op met de leverancier                     |
| Apparaat blijft koud  | Groene schakelaar brandt en oranje lampje brandt           | Bedieningspaneel staat niet goed op de steun | Zet het bedieningspaneel op de steun. Zie Installatie. |
|   |  | Maximaalbeveiliging aangesproken             | Reset de maximaalbeveiliging. Zie noot 1)              |
|   |  | Mircoswitch defect                           | Neem contact op met de leverancier                     |
| Apparaat bereikt de ingestelde temperatuur niet<br>/ lange baktijd<br>/ te hoge temperatuur |  | Maximaalbeveiliging defect                   | Neem contact op met de leverancier                     |
|   |  | Thermostaat defect                           | Neem contact op met de leverancier                     |

**Als na deze handelingen het apparaat nog steeds niet functioneert, adviseren wij u contact op te nemen met uw leverancier. Neem in geval van twijfel altijd contact op met uw leverancier!**

### 1) Reset maximaalbeveiliging

- Laat de friteuse afkoelen.
- Verwijder het bedieningspaneel van de steun.
- Schroef de zwarte beschermdop los aan de onderzijde van het bedieningspaneel.
- Druk de "reset-knop" in van de maximaalbeveiliging. U moet een duidelijke klik horen.
- Schroef de zwarte beschermdop er weer op.
- Zet het bedieningspaneel terug op de steun.

## Garantie

Elk defect waardoor de werking van het apparaat nadelig wordt beïnvloed dat zich binnen één jaar na aankoop van het apparaat voordoet, wordt gratis hersteld door reparatie of vervanging, mits het apparaat conform de instructies is gebruikt en onderhouden en niet op enigerlei wijze verkeerd is behandeld of misbruikt. Dit laat onverlet uw bij wet bepaalde rechten. Als de garantie van kracht is, vermeld dan waar en wanneer u het apparaat hebt gekocht en sluit een aankoopbewijs bij (bijv. kassabon of factuur).

Gezien ons streven naar voortdurende verdere productontwikkeling behouden wij ons het recht voor, zonder voorafgaande kennisgeving wijzigingen aan te brengen aan product, verpakking en documentatie.

## Afdanken & Milieu

Aan het einde van de levensduur, het apparaat afdanken volgens de op dat moment geldende voorschriften en richtlijnen. Werp verpakkingsmateriaal zoals plastic en dozen in de daarvoor bestemde containers. Gebruikte frituurvetten en -oliën afvoeren volgens de wettelijke voorschriften en richtlijnen.



# Onderdelen

7455.1000

| 21  | Power Switch        | 1   | 38    | Filter                     | 1   |
|-----|---------------------|-----|-------|----------------------------|-----|
| 20  | Electric Box        | 1   | 37    | Heating Element Support    | 1   |
| 17  | Microswitch         | 1   | 36    | Heating Element            | 1   |
| 16  | Terminal            | 1   | 35    | Support                    | 2   |
| 15  | Cable Lock          | 1   | 34    | Clamp 2                    | 4   |
| 14  | Relay               | 1   | 33    | Thermostat                 | 1   |
| 13  | Security Thermostat | 1   | 32    | Clamp 1                    | 2   |
| 12  | Handle for Cover    | 1   | 31    | Oil Indicator              | 1   |
| 11  | Cover               | 1   | 30    | Footlock for Frying Basket | 1   |
| 8   | Oil Inlet Pipe      | 1   | 29    | Turning Axis               | 4   |
| 7   | Handle for Basket   | 1   | 27    | Heating Indicator Light    | 1   |
| 6   | Frying Basket       | 1   | 26    | Power Indicator Light      | 1   |
| 5   | Valve               | 1   | 25    | Base of the Kon            | 1   |
| 3   | Gasket              | 1   | 24    | Knob                       | 1   |
| 2   | Body                | 1   | 23    | PVC                        | 1   |
| 1   | Plastic Leg         | 4   | 22    | Electric Box Cover         | 1   |
| NO. | Name                | QTY | NO.   | Name                       | QTY |
|     |                     |     | Model | 7455 1000                  |     |

**7455.1003**

|     |                     |     |     |                            |     |
|-----|---------------------|-----|-----|----------------------------|-----|
| 15  | base of the Knob    | 1   | 30  | Clamp                      | 1   |
| 14  | Knob                | 1   | 29  | Heating Element Support    | 1   |
| 13  | Power Switch        | 1   | 28  | Heating Element            | 1   |
| 12  | Electric Box Cover  | 1   | 27  | Support                    | 2   |
| 11  | Terminal            | 1   | 26  | Clamp                      | 4   |
| 10  | Cable Lock          | 1   | 25  | Thermostat                 | 1   |
| 9   | Security Thermostat | 1   | 24  | Pushhook For Frying Basket | 1   |
| 8   | Cover Handle        | 1   | 23  | Oil Indicator              | 1   |
| 7   | Cover               | 1   | 22  | Microswitch                | 1   |
| 6   | Oil Pan             | 1   | 21  | Turning Axis               | 4   |
| 4   | Body                | 1   | 19  | PVC                        | 1   |
| 3   | Basket Handle       | 1   | 18  | Electric Box               | 1   |
| 2   | Frying Basket       | 1   | 17  | Heating Indicator Light    | 1   |
| 1   | Plastic Leg         | 4   | 16  | Power Indicator Light      | 1   |
| NO. | Name                | QTY | NO. | Name                       | QTY |

|       |           |
|-------|-----------|
| Model | 7455 1003 |
|-------|-----------|

**7455.1005**

|     |                     |     |     |                            |     |
|-----|---------------------|-----|-----|----------------------------|-----|
| 21  | Power Switch        | 2   | 38  | Filter                     | 2   |
| 20  | Electric Box        | 2   | 37  | Heating Element Support    | 2   |
| 17  | Microswitch         | 2   | 36  | Heating Element            | 2   |
| 16  | Terminal            | 2   | 35  | Support                    | 4   |
| 15  | Cable Lock          | 2   | 34  | Clamp 2                    | 8   |
| 14  | Relay               | 2   | 33  | Thermostat                 | 2   |
| 13  | Security Thermostat | 2   | 32  | Clamp 1                    | 2   |
| 12  | Handle for Cover    | 2   | 31  | Oil Indicator              | 2   |
| 11  | Cover               | 2   | 30  | Pushhook For Frying Basket | 2   |
| 8   | Oil letout Pipe     | 2   | 29  | Turning Axis               | 8   |
| 7   | Handle for Basket   | 2   | 27  | Heating Indicator Light    | 2   |
| 6   | Frying Basket       | 2   | 26  | Power Indicator Light      | 2   |
| 5   | Valve               | 1   | 25  | Base of the Knob           | 2   |
| 3   | Gasket              | 2   | 24  | Knob                       | 2   |
| 2   | Body                | 1   | 23  | PVC                        | 2   |
| 1   | Plastic Leg         | 4   | 22  | Electric Box Cover         | 2   |
| NO. | Name                | QTY | NO. | Name                       | QTY |

|       |           |
|-------|-----------|
| Model | 7455 1005 |
|-------|-----------|

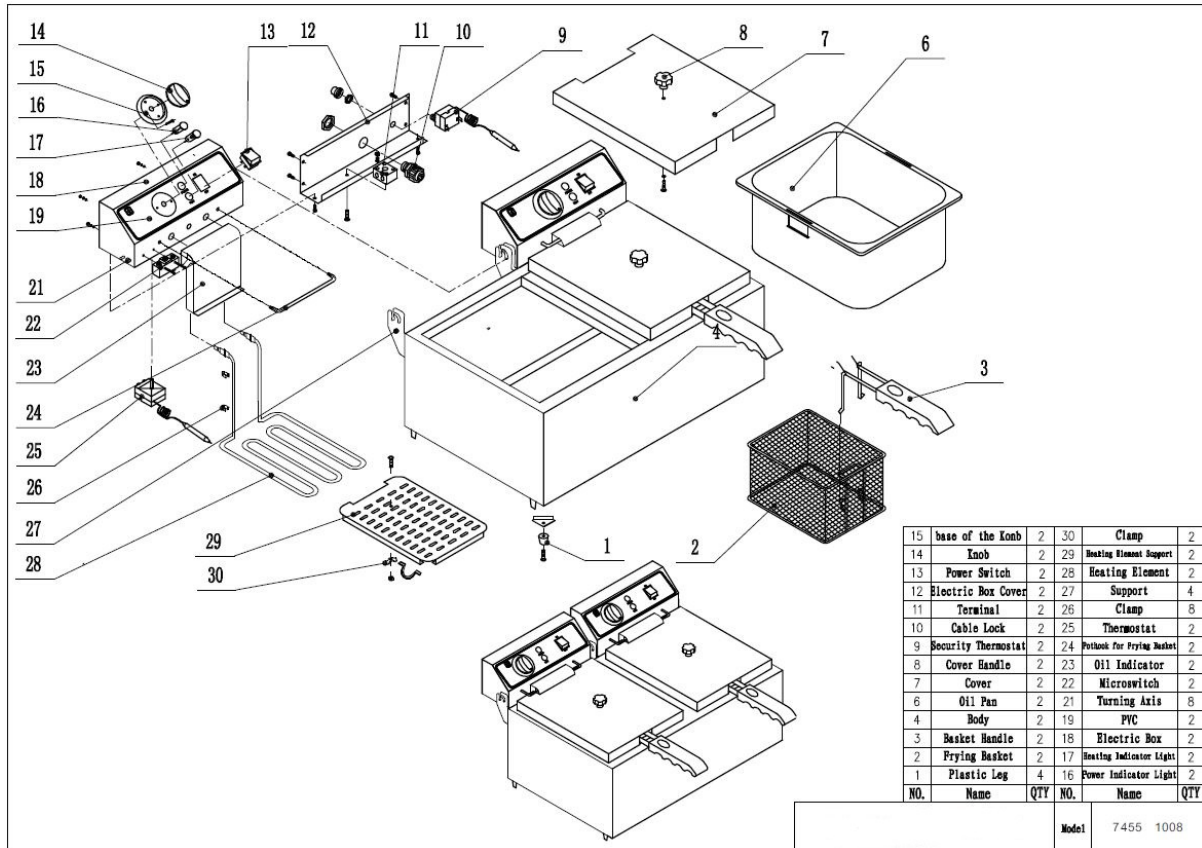
7455.1006

|     |                     |     |     |                            |     |
|-----|---------------------|-----|-----|----------------------------|-----|
| 21  | Power Switch        | 1   | 38  | Filter                     | 1   |
| 20  | Electric Box        | 1   | 37  | Heating Element Support    | 1   |
| 17  | Microswitch         | 1   | 36  | Heating Element            | 1   |
| 16  | Terminal            | 1   | 35  | Support                    | 2   |
| 15  | Cable Lock          | 1   | 34  | Clamp 2                    | 4   |
| 14  | Relay               | 1   | 33  | Thermostat                 | 1   |
| 13  | Security Thermostat | 1   | 32  | Clamp 1                    | 2   |
| 12  | Handle for Cover    | 1   | 31  | Oil Indicator              | 1   |
| 11  | Cover               | 1   | 30  | Peethook For Frying Basket | 1   |
| 8   | Oil letont Pipe     | 1   | 29  | Turning Axis               | 4   |
| 7   | Handle for Basket   | 1   | 27  | Heating Indicator Light    | 1   |
| 6   | Frying Basket       | 1   | 26  | Power Indicator Light      | 1   |
| 5   | Valve               | 1   | 25  | Base of the Kon            | 1   |
| 3   | Gasket              | 1   | 24  | Knob                       | 1   |
| 2   | Body                | 1   | 23  | PVC                        | 1   |
| 1   | Plastic Leg         | 4   | 22  | Electric Box Cover         | 1   |
| NO. | Name                | QTY | NO. | Name                       | QTY |

7455.1007

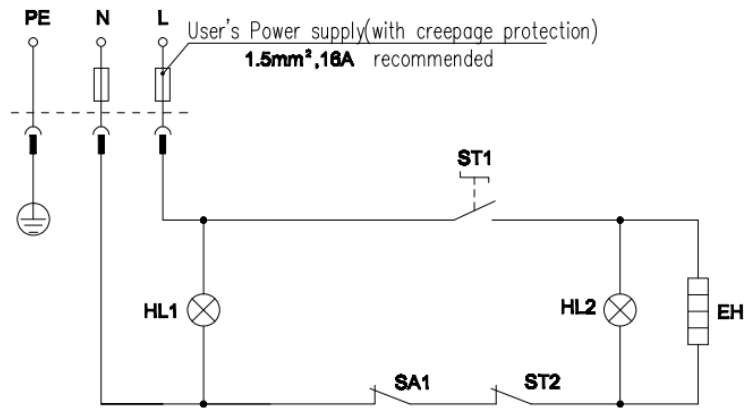
|     |                     |     |     |                            |     |
|-----|---------------------|-----|-----|----------------------------|-----|
| 21  | Power Switch        | 2   | 38  | Clamb -                    | 2   |
| 20  | Electric Box        | 2   | 37  | Heating Element Support    | 2   |
| 17  | Microswitch         | 2   | 36  | Heating Element            | 6   |
| 16  | Terminal            | 2   | 35  | Support                    | 4   |
| 15  | Cable Lock          | 2   | 34  | Clamp 2                    | 8   |
| 14  | Contactora          | 2   | 33  | Thermostat                 | 2   |
| 13  | Security Thermostat | 2   | 32  | Clamp 1                    | 2   |
| 12  | Handle for Cover    | 2   | 31  | Oil Indicator              | 2   |
| 11  | Cover               | 2   | 30  | Peethook For Frying Basket | 2   |
| 8   | Oil letont Pipe     | 2   | 29  | Turning Axis               | 8   |
| 7   | Handle for Basket   | 2   | 27  | Heating Indicator Light    | 2   |
| 6   | Frying Basket       | 2   | 26  | Power Indicator Light      | 2   |
| 5   | Valve               | 1   | 25  | Base of the Kon            | 2   |
| 3   | Gasket              | 2   | 24  | Knob                       | 2   |
| 2   | Body                | 1   | 23  | PVC                        | 2   |
| 1   | Plastic Leg         | 4   | 22  | Electric Box Cover         | 2   |
| NO. | Name                | QTY | NO. | Name                       | QTY |

**7455.1008**



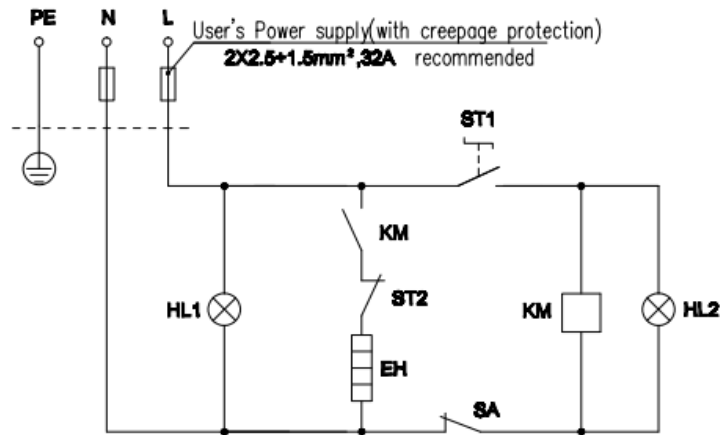
**Circuit diagram**

EF-061 EF-062 EF-081 EF-082 EF-101V EF-102V  
 EF-131V EF-132V EF-171 EF-172 EFB-101V EFB-102V  
 EFB-151V EFB-152V EFB-102V/C EFB-152V /C  
 AC 220~240V 50~60Hz 2~3.5kw



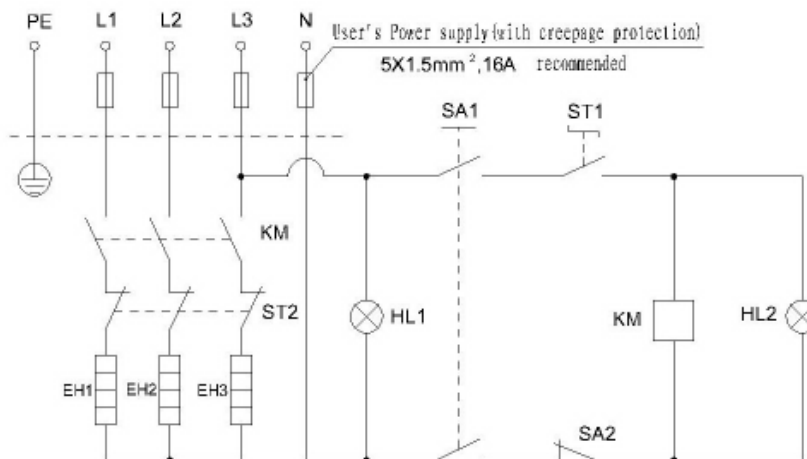
SA1: Microswitch  
 ST1: Thermostat  
 ST2: Security Thermostat  
 HL1: Power Lamp  
 HL2: Heating Lamp  
 EH: Heating Element

EF-171 EF-172 EF-171/C EF-172 /C  
 EF-191V EF-192 V EF-161V/C EF-162 V /C  
 EF-161V EF-162 V EFB-222V/C  
 EFB-221V EFB-222 V  
 (不带电源开关)  
 AC 220-240V 50-60Hz 3.5-5Kw



**HL1: Power Light**                      **SA: Microswitch**  
**HL2: Heating Light**                  **EH: Heating Element**  
**ST1: Thermostat**                      **KM: Relay**  
**ST2: Security Thermostat(32A)**

EF-171 EF-172 EF-171/C EF-172 /C  
 EF-191 EF-192 EF-161V/C EF-162 V /C  
 EF-161V EF-162 V EFB-222V/C  
 EFB-221V EFB-222 V  
 三相, AC 380-415V 3.5-6Kw



**KM: Contactor**                              **HL1: Power Lamp**  
**ST1: Thermostat**                            **HL2: Heating Lamp**  
**ST2: Security Thermostat**              **SA1: Power Switch**  
**EH1~3: Heating Element**                **SA2: Microswitch**

Sehr geehrte(r) Kunde,

Herzlichen Dank für den Kauf dieses Geräts. Lesen Sie sich diese Bedienungsanleitung vor dem Anschluss des Geräts sorgfältig durch, um Schäden durch unsachgemäße Bedienung zu verhindern. Die Sicherheitsvorschriften besonders sorgfältig lesen.

## Sicherheitsvorschriften

- Die unsachgemäße Bedienung des Geräts kann zu schweren Beschädigungen des Geräts sowie zu Verletzungen führen.
- Das Gerät ist ausschließlich zu dem Zweck zu benutzen, zu dem es hergestellt wurde. Der Hersteller haftet nicht für Schäden, die auf unsachgemäße Bedienung des Geräts zurückzuführen sind.
- Vermeiden Sie den Kontakt mit Wasser oder anderen Flüssigkeiten. Den Stecker unverzüglich abziehen und das Gerät von einem anerkannten Fachmann prüfen lassen. **Bei Nichteinhaltung dieser Sicherheitsvorschriften besteht Lebensgefahr.**
- Versuchen Sie nie eigenständig das Gehäuse des Geräts zu öffnen.
- Keine Gegenstände in das Gerät einführen.
- Den Stecker nicht mit nassen oder feuchten Händen berühren.
- Den Stecker regelmäßig auf eventuelle Schäden prüfen. Beschädigte Stecker oder Kabel von einer zugelassenen Reparaturwerkstatt reparieren lassen.
- Das Gerät nicht mehr benutzen, wenn es heruntergefallen ist oder sonst wie beschädigt wurde.
- Das Gerät von einer zugelassenen Reparaturwerkstatt prüfen und gegebenenfalls reparieren lassen.
- Das Gerät nicht eigenständig reparieren. **Es besteht Lebensgefahr.**
- Das Kabel von scharfen und heißen Gegenständen sowie von offenem Feuer fernhalten. Beim Rausziehen des Steckers stets am Stecker und nicht am Kabel ziehen.
- Beachten Sie, dass das (Verlängerungs-) Kabel nicht versehentlich gelöst wird und dass man nicht darüber stolpern kann.
- Das Gerät bei Bedienung stets überwachen.
- Kinder kennen die Gefahr der unsachgemäßen Bedienung elektrischer Geräte nicht. Kinder daher niemals unbeaufsichtigt Haushaltsgerät bedienen lassen.
- Den Stecker rausziehen wenn das Gerät nicht benutzt wird und auch vor jeder Reinigung.
- **Gefahr!** Befindet sich der Stecker in der Steckdose, wird das Gerät mit Netzspannung versorgt.
- Das Gerät ausschalten, bevor Sie den Stecker ziehen.
- Das Gerät nie am Kabel tragen.
- Keine zusätzlichen Hilfsmittel benutzen, die nicht mit dem Gerät mitgeliefert wurden.
- Das Gerät darf nur an eine Steckdose, mit dem auf dem Typenschild angegebene Spannung und Frequenz, angeschlossen werden.
- Überlastung ist zu vermeiden.
- Das Gerät ist nach dem Gebrauch auszuschalten, indem der Stecker aus der Steckdose herausgezogen wird.
- Vor dem Nachfüllen oder Reinigen ist immer der Stecker aus der Steckdose herauszuziehen.
- Die elektrische Anlage hat den nationalen und regionalen Vorschriften zu entsprechen.
- **Dieses Gerät eignet sich nicht für den Gebrauch durch Personen (gilt auch für Kinder) mit geringerer Motorik, Sensorik oder geistiger Fähigkeit oder mangelhafter Erfahrung und Wissen, es sei denn, sie werden bei dem Gebrauch des Gerätes beaufsichtigt oder erhalten Anweisungen von einer Person, die für ihre Sicherheit die Verantwortung trägt.**

## Spezielle Sicherheitsvorschriften

- Für den Gebrauch dieser Fritteuse empfehlen wir Frittier Öl oder flüssiges Frittier fett. Wenn Sie doch festes Fett benutzen, erwärmen Sie das Fett schrittweise und lesen Sie sorgfältig den Punkt „Festes Fett“.
- Vor dem Nachfüllen oder Reinigen ist immer der Stecker aus der Steckdose herauszuziehen.
- Die elektrische Anlage hat den nationalen und regionalen Vorschriften zu entsprechen.
- Unterschreitet das Frittier Öl den Mindestpegel besteht Brandgefahr. Den Behälter also stets mit genügend Frittier Öl füllen und während Benutzung kontrollieren.
- Kein benutztes frittier Öl verwenden, da das die Brandgefahr steigert.
- Faustregel: benutzen Sie nicht mehr als 100 Gramm tiefgefrorene Pommes in 1 Liter Öl. Für andere tiefgefrorene Frittier Produkte, befolgen Sie bitte die Anweisungen auf der Verpackung.

## Vorbereitung der Inbetriebnahme

- Das Gerät auf Schäden hin prüfen. Setzen Sie sich im Beschädigungsfall sofort mit Ihrem Lieferanten in Verbindung und benutzen Sie das Gerät NICHT.
- Die gesamte Verpackung und eventuell vorliegende Schutzfolie entfernen.
- Das Gerät mit lauwarmem Wasser und einem weichen Tuch reinigen.
- Das Gerät waagrecht hinstellen sofern nicht anders angegeben ist.
- Um das Gerät herum sollte ausreichender Freiraum vorliegen.
- Das Gerät so aufstellen, dass der Stecker jederzeit abgezogen werden kann.

## Installation

- Entfernen Sie die Schutzfolie von den Edelstahlteilen.
- Hängen Sie den Elementhalter in die Halterung.

## Gebrauch

### **Aufmerksamkeit : Darf das Gerät auf einer getrennten Gruppe von 16 Ampere.**

Bei eine doppelte Fritteuse, brauchen Sie 2 getrennte Gruppen.

- Ziehen Sie den Stecker aus der Steckdose.
- Füllen Sie den Behälter bis zum MAX-Strich mit Öl. ACHTUNG: Nicht flüssige Fettarten sind vor dem Einfüllen zu erhitzen, um ein Verbrennen des Fetts und Überlastung zu verhindern (Siehe „Festes Fett“)
- Stecken Sie den Schuko Stecker in eine geerdete Steckdose.
- Schalten Sie das Gerät mit der Grünfarbenen Ein-Aus-Taste ein. Die Grünfarbene Leuchte am Ein-Aus-Schalter leuchtet.
- Stellen Sie am Thermostat die gewünschte Temperatur ein. Die orangefarbene Leuchte brennt.
- Wenn die eingestellte Temperatur erreicht ist, erlischt die orangefarbene Lampe.
- Während des Frittierens leuchtet die orangefarbene Lampe gelegentlich; das heißt das Heizelement hält die eingestellte Temperatur.
- Sie können jetzt frittieren.

## Frittieren

Die Fritteuse besitzt einen einzigartigen Kältebereich, wodurch Backreste und Krümel auf den Boden sinken und das Öl wesentlich länger hält. Kontrollieren Sie regelmäßig, ob sich genug Öl im Behälter befindet. Der Füllstand darf nie unter die MINMarkierung geraten.

## Tipps zum Frittieren

- Verwenden Sie vorzugsweise nur flüssiges frittier Öl/fett.
- Die empfohlene Frittier-Temperatur ist max. 180° C.
- Entfernen Sie Eis und Krümel vom gefrorenen Frittier Gut.
- Frittieren Sie nicht zu viel auf einmal, dass kann eine Abkühlung des Öles verursachen, dadurch kann sich die Frittier Qualität verschlechtern. Bei intensiver Benutzung filtern Sie nach der Verwendung die Krümel und andere Reste aus dem Öl.
- Wechseln Sie das Öl regelmäßig. Benutzen Sie Teststreifen oder Ähnliches zur regelmäßigen Kontrolle.
- Bevor das Öl zu schäumen, rauchen, oder zu stinken beginnt wechseln Sie es.
- Mischen Sie kein frisches Öl mit gebrauchtem.

## Festes Fett

- Wenn Sie gegen unseren Rat doch festes Fritierfett verwenden: erhitzen Sie das Fett langsam auf der kleinsten Stufe bis es geschmolzen ist. Wenn es geschmolzen ist können Sie die richtige Temperatur wählen.
- Bei der Verwendung von frischem Fett schmelzen Sie die Fettblöcke zunächst langsam bei kleiner Hitze in einer normalen Pfanne. Gießen Sie das geschmolzene Fett vorsichtig in die Fritteuse. Stecken Sie erst dann den Netzstecker ein und schalten Sie die Fritteuse ein.
- Entfernen Sie den Korb aus dem Fett. Damit verhindern Sie, dass sich der Korb im geronnenen Fett festsetzt.

## Nach dem Gebrauch

- Schalten Sie das Gerät aus, indem Sie den Schalter ausschalten und den Stecker aus der Steckdose herausziehen.
- Lassen Sie die Friteuse an ihrem Platz stehen, bis das Gerät und den Inhalt abgekühlt sind.
- Legen Sie den Deckel auf die Fritteuse, sodaß das Fett frisch bleibt.

## Öl ablassen

*ACHTUNG! Flüssiges Öl ist heiß und kann ernsthafte Verbrennungen verursachen.*

Der Ablauthahn kann beim Ablassen des Öls sehr heiß werden! Wenn Körperteile mit heißem Öl in Berührung kommen unverzüglich mit Wasser kühlen. Anschließend sofort einen Arzt aufsuchen.

### **Vor dem Öl ablassen: Lassen Sie das Öl auf 50°C abkühlen.**

- Stellen Sie einen Auffangbehälter unter den Ablauf (warten Sie bis das Öl ist auf  $\pm 50^{\circ}\text{C}$  abgekühlt ist)
- Schalter des Hahns eindrücken und links herum drehen. Das Öl läuft aus dem Behälter.
- Wenn das Öl aus dem Behälter gelaufen ist, drehen Sie den Schalter wieder zurück. Kontrollieren Sie, ob der Schalter wieder verriegelt ist.

## Reinigung und Wartung

- Vor jeder Reinigung stets den Stecker ziehen.
- Achtung: Tauchen Sie das Gerät nicht in Wasser oder andere Flüssigkeiten ein!
- Das Gehäuse mit einem feuchten Tuch (Wasser mit einem milden Reinigungsmittel) reinigen.
- Keine aggressiven Reinigungsmittel, Scheuermittel oder chlorierter Reiniger benutzen. Keine scharfen, spitzen Gegenstände benutzen. Kein Benzin und keine Lösungsmittel benutzen! **Das Gerät mit einem feuchten Tuch und eventuell Spülmittel reinigen. Keine scheuernden Materialien benutzen.**



## Störungen

| Störung                         | Phänom   | Mögliche Ursache                                      | Evt. Lösung                                      |
|---------------------------------|--|---|--|
| Keine Funktion                  | Der grüne Schalter und die Orange Lampe leuchten nicht | Kein Strom  | Kontrollieren Sie die elektrische Anlage         |
|                                 |  | Schalter ist aus                                      | Schalten Sie den Schalter ein<br>Schalter defekt |
| Gerät heizt nicht               | Der grüne Schalter und die Orange Lampe leuchten nicht | Kontrollieren Sie ob das Thermostat eingeschaltet ist | Schalten Sie das Thermostat ein                  |
|                                 |  | Thermostat defekt                                     | Kontaktieren Sie Ihren Lieferanten               |
| Gerät heizt nicht               | Der grüne Schalter und die Orange Lampe leuchten       | Bedienelement ist nicht richtig positioniert          | Siehe Installation                               |
|                                 |  | Überhitzungsschutz (Maximal Thermostat) hat ausgelöst | Siehe Rücksetzung 1)                             |
|                                 |  | Kontaktschalterdefekt                                 | Kontaktieren Sie Ihren Lieferanten               |
| Temperatur zu hoch / zu niedrig |  | Überhitzungsschutzdefekt                              | Kontaktieren Sie Ihren Lieferanten               |
|                                 |  | Thermostat defekt                                     | Kontaktieren Sie Ihren Lieferanten               |

**Wenn trotz aller Kontrollen das Gerät weiterhin Störungen aufweist wenden Sie sich bitte an ihren Lieferanten. Setzen Sie sich im Zweifelsfall auch mit Ihrem Lieferanten in Verbindung!**

### 1) Rücksetzen der Maximalsicherung

- Lassen Sie die Fritteuse abkühlen.
- Entfernen Sie das abnehmbare Bedienelement aus der Halterung.
- Schrauben Sie die schwarze Schutzkappe an der Unterseite des abnehmbaren Bedienelements ab.
- Drücken Sie die "Rückstell Taste" (Reset-Taste) der Maximalsicherung. Es ist ein deutliches Klicken zu hören.
- Schrauben Sie die schwarze Schutzkappe wieder auf.
- Hängen Sie das abnehmbare Bedienelement in die Halterung.

## Garantie

Jeder Defekt, der die Funktion des Geräts nachteilig beeinflusst und der sich innerhalb eines Jahres nach Ankauf des Geräts zeigt, wird durch Reparatur oder Auswechslung kostenlos behoben, falls das Gerät den Anleitungen entsprechend gebraucht und gewartet wurde und nicht in irgendeiner Weise falsch behandelt oder unzuweckmäßig benutzt wurde. Ihre gesetzlich verbrieften Rechte bleiben davon unberührt. Ist die Garantie rechtsgültig, geben Sie an, wo und wann Sie das Gerät gekauft haben und legen Sie eine Quittung (z.B. Kassenzettel) bei.

Auf Grund unserer Zielsetzung, die Produktentwicklung stetig fortzusetzen, behalten wir uns das Recht vor, das Produkt, die Verpackung und die Unterlagen ohne vorherige Inkennzeichnung zu ändern.

## Entsorgung & Umwelt

Am Ende der Lebensdauer des Geräts bitte gemäß den aktuell geltenden Vorschriften und Richtlinien entsorgen. Entsorgen Sie Verpackungsmaterialien wie Kunststoff und Kartons nach den entsprechenden nationalen Vorschriften. Benutztes Frittieröl und Fett bitte gemäß den aktuell geltenden Vorschriften und Richtlinien entsorgen.

# Ersatzteile

7455.1000

| 21  | Power Switch        | 1   | 38    | Filter                     | 1   |
|-----|---------------------|-----|-------|----------------------------|-----|
| 20  | Electric Box        | 1   | 37    | Heating Element Support    | 1   |
| 17  | Microswitch         | 1   | 36    | Heating Element            | 1   |
| 16  | Terminal            | 1   | 35    | Support                    | 2   |
| 15  | Cable Lock          | 1   | 34    | Clamp 2                    | 4   |
| 14  | Relay               | 1   | 33    | Thermostat                 | 1   |
| 13  | Security Thermostat | 1   | 32    | Clamp 1                    | 2   |
| 12  | Handle for Cover    | 1   | 31    | Oil Indicator              | 1   |
| 11  | Cover               | 1   | 30    | Footlock for Frying Basket | 1   |
| 8   | Oil Inlet Pipe      | 1   | 29    | Turning Axis               | 4   |
| 7   | Handle for Basket   | 1   | 27    | Heating Indicator Light    | 1   |
| 6   | Frying Basket       | 1   | 26    | Power Indicator Light      | 1   |
| 5   | Valve               | 1   | 25    | Base of the Kon            | 1   |
| 3   | Gasket              | 1   | 24    | Knob                       | 1   |
| 2   | Body                | 1   | 23    | PVC                        | 1   |
| 1   | Plastic Leg         | 4   | 22    | Electric Box Cover         | 1   |
| NO. | Name                | QTY | NO.   | Name                       | QTY |
|     |                     |     | Model | 7455 1000                  |     |

**7455.1003**

|     |                     |     |     |                            |     |
|-----|---------------------|-----|-----|----------------------------|-----|
| 15  | base of the Knob    | 1   | 30  | Clamp                      | 1   |
| 14  | Knob                | 1   | 29  | Heating Element Support    | 1   |
| 13  | Power Switch        | 1   | 28  | Heating Element            | 1   |
| 12  | Electric Box Cover  | 1   | 27  | Support                    | 2   |
| 11  | Terminal            | 1   | 26  | Clamp                      | 4   |
| 10  | Cable Lock          | 1   | 25  | Thermostat                 | 1   |
| 9   | Security Thermostat | 1   | 24  | Pushhook For Frying Basket | 1   |
| 8   | Cover Handle        | 1   | 23  | Oil Indicator              | 1   |
| 7   | Cover               | 1   | 22  | Microswitch                | 1   |
| 6   | Oil Pan             | 1   | 21  | Turning Axis               | 4   |
| 4   | Body                | 1   | 19  | PVC                        | 1   |
| 3   | Basket Handle       | 1   | 18  | Electric Box               | 1   |
| 2   | Frying Basket       | 1   | 17  | Heating Indicator Light    | 1   |
| 1   | Plastic Leg         | 4   | 16  | Power Indicator Light      | 1   |
| NO. | Name                | QTY | NO. | Name                       | QTY |

|       |           |
|-------|-----------|
| Model | 7455 1003 |
|-------|-----------|

**7455.1005**

|     |                     |     |     |                            |     |
|-----|---------------------|-----|-----|----------------------------|-----|
| 21  | Power Switch        | 2   | 38  | Filter                     | 2   |
| 20  | Electric Box        | 2   | 37  | Heating Element Support    | 2   |
| 17  | Microswitch         | 2   | 36  | Heating Element            | 2   |
| 16  | Terminal            | 2   | 35  | Support                    | 4   |
| 15  | Cable Lock          | 2   | 34  | Clamp 2                    | 8   |
| 14  | Relay               | 2   | 33  | Thermostat                 | 2   |
| 13  | Security Thermostat | 2   | 32  | Clamp 1                    | 2   |
| 12  | Handle for Cover    | 2   | 31  | Oil Indicator              | 2   |
| 11  | Cover               | 2   | 30  | Pushhook For Frying Basket | 2   |
| 8   | Oil letout Pipe     | 2   | 29  | Turning Axis               | 8   |
| 7   | Handle for Basket   | 2   | 27  | Heating Indicator Light    | 2   |
| 6   | Frying Basket       | 2   | 26  | Power Indicator Light      | 2   |
| 5   | Valve               | 1   | 25  | Base of the Knob           | 2   |
| 3   | Gasket              | 2   | 24  | Knob                       | 2   |
| 2   | Body                | 1   | 23  | PVC                        | 2   |
| 1   | Plastic Leg         | 4   | 22  | Electric Box Cover         | 2   |
| NO. | Name                | QTY | NO. | Name                       | QTY |

|       |           |
|-------|-----------|
| Model | 7455 1005 |
|-------|-----------|

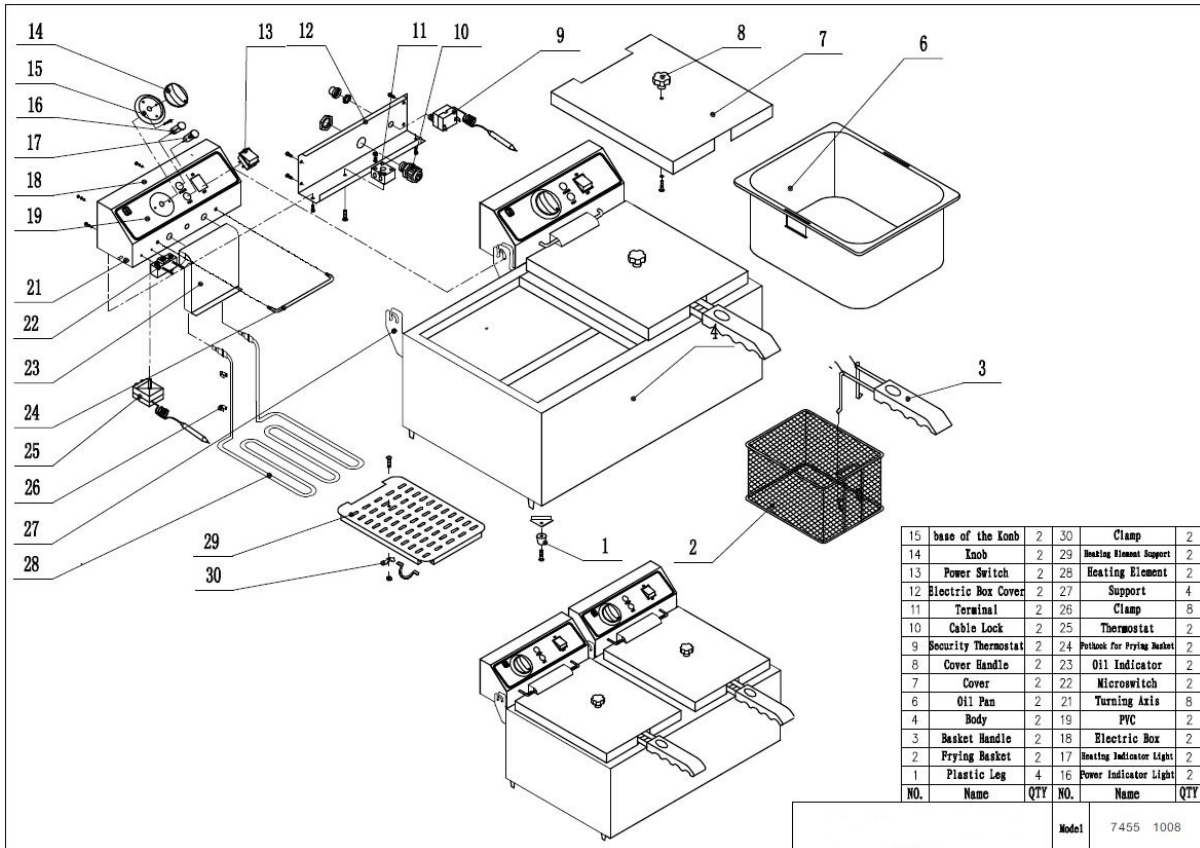
7455.1006

|     |                     |     |     |                            |     |
|-----|---------------------|-----|-----|----------------------------|-----|
| 21  | Power Switch        | 1   | 38  | Filter                     | 1   |
| 20  | Electric Box        | 1   | 37  | Heating Element Support    | 1   |
| 17  | Microswitch         | 1   | 36  | Heating Element            | 1   |
| 16  | Terminal            | 1   | 35  | Support                    | 2   |
| 15  | Cable Lock          | 1   | 34  | Clamp 2                    | 4   |
| 14  | Relay               | 1   | 33  | Thermostat                 | 1   |
| 13  | Security Thermostat | 1   | 32  | Clamp 1                    | 2   |
| 12  | Handle for Cover    | 1   | 31  | Oil Indicator              | 1   |
| 11  | Cover               | 1   | 30  | Peethook For Frying Basket | 1   |
| 8   | Oil letont Pipe     | 1   | 29  | Turning Axis               | 4   |
| 7   | Handle for Basket   | 1   | 27  | Heating Indicator Light    | 1   |
| 6   | Frying Basket       | 1   | 26  | Power Indicator Light      | 1   |
| 5   | Valve               | 1   | 25  | Base of the Kon            | 1   |
| 3   | Gasket              | 1   | 24  | Knob                       | 1   |
| 2   | Body                | 1   | 23  | PVC                        | 1   |
| 1   | Plastic Leg         | 4   | 22  | Electric Box Cover         | 1   |
| NO. | Name                | QTY | NO. | Name                       | QTY |

7455.1007

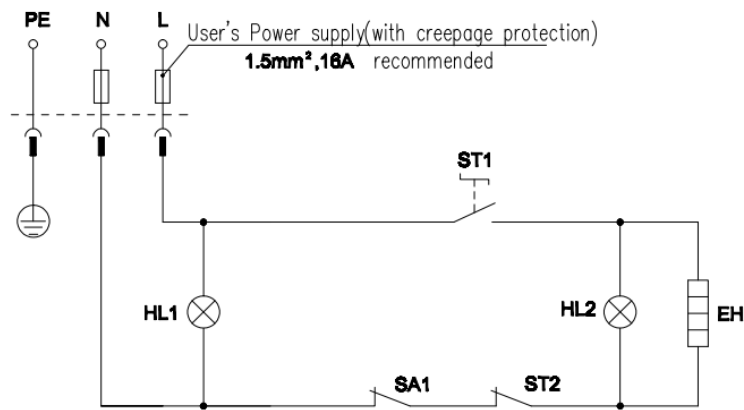
|     |                     |     |     |                            |     |
|-----|---------------------|-----|-----|----------------------------|-----|
| 21  | Power Switch        | 2   | 38  | Clamb -                    | 2   |
| 20  | Electric Box        | 2   | 37  | Heating Element Support    | 2   |
| 17  | Microswitch         | 2   | 36  | Heating Element            | 6   |
| 16  | Terminal            | 2   | 35  | Support                    | 4   |
| 15  | Cable Lock          | 2   | 34  | Clamp 2                    | 8   |
| 14  | Contactora          | 2   | 33  | Thermostat                 | 2   |
| 13  | Security Thermostat | 2   | 32  | Clamp 1                    | 2   |
| 12  | Handle for Cover    | 2   | 31  | Oil Indicator              | 2   |
| 11  | Cover               | 2   | 30  | Peethook For Frying Basket | 2   |
| 8   | Oil letont Pipe     | 2   | 29  | Turning Axis               | 8   |
| 7   | Handle for Basket   | 2   | 27  | Heating Indicator Light    | 2   |
| 6   | Frying Basket       | 2   | 26  | Power Indicator Light      | 2   |
| 5   | Valve               | 1   | 25  | Base of the Kon            | 2   |
| 3   | Gasket              | 2   | 24  | Knob                       | 2   |
| 2   | Body                | 1   | 23  | PVC                        | 2   |
| 1   | Plastic Leg         | 4   | 22  | Electric Box Cover         | 2   |
| NO. | Name                | QTY | NO. | Name                       | QTY |

**7455.1008**



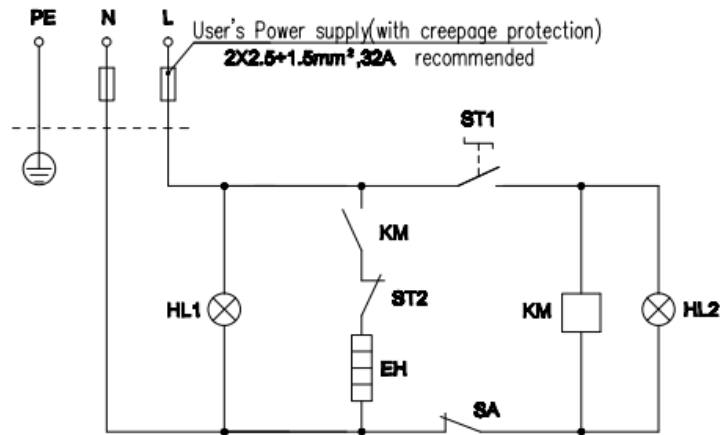
**Circuit diagram**

EF-061 EF-062 EF-081 EF-082 EF-101V EF-102V  
 EF-131V EF-132V EF-171 EF-172 EFB-101V EFB-102V  
 EFB-151V EFB-152V EFB-102V/C EFB-152V /C  
 AC 220~240V 50~60Hz 2~3.5kw



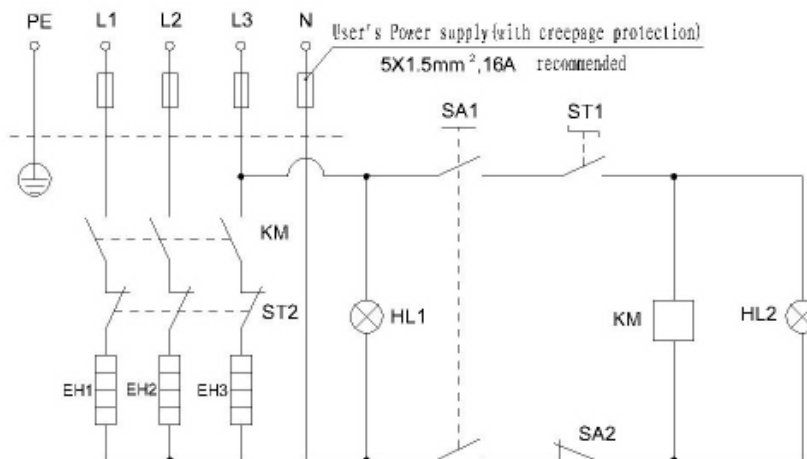
SA1: Microswitch  
 ST1: Thermostat  
 ST2: Security Thermostat  
 HL1: Power Lamp  
 HL2: Heating Lamp  
 EH: Heating Element

EF-171 EF-172 EF-171/C EF-172 /C  
 EF-191V EF-192 V EF-161V/C EF-162 V /C  
 EF-161V EF-162 V EFB-222V/C  
 EFB-221V EFB-222 V  
 (不带电源开关)  
 AC 220-240V 50-60Hz 3.5-5Kw



**HL1: Power Light**                      **SA: Microswitch**  
**HL2: Heating Light**                  **EH: Heating Element**  
**ST1: Thermastat**                      **KM: Relay**  
**ST2: Security Thermostat(32A)**

EF-171 EF-172 EF-171/C EF-172 /C  
 EF-191 EF-192 EF-161V/C EF-162 V /C  
 EF-161V EF-162 V EFB-222V/C  
 EFB-221V EFB-222 V  
 三相, AC 380-415V 3.5-6Kw



**KM: Contactor**                              **HL1: Power Lamp**  
**ST1: Thermastat**                            **HL2: Heating Lamp**  
**ST2: Security Thermostat**              **SA1: Power Switch**  
**EH1~3: Heating Element**                **SA2: Microswitch**

Cher client,

Merci d'avoir acheté cet appareil. Veuillez lire attentivement ce mode d'emploi avant de brancher l'appareil afin d'éviter tout endommagement pour cause d'usage abusif. Veuillez notamment lire les consignes de sécurité avec la plus grande attention.

## Consignes de sécurité

- L'utilisation abusive et le maniement incorrect de l'appareil peuvent entraîner une grave détérioration de l'appareil ou provoquer des blessures.
- L'appareil doit être utilisé uniquement pour le but il a été conçu. Le fabricant décline toute responsabilité en cas de dommage consécutif à un usage abusif ou un maniement incorrect.
- Veillez à tenir l'appareil et la prise électrique hors de portée de l'eau ou de tout autre liquide. Si malencontreusement l'appareil tombe dans l'eau, débranchez immédiatement la prise électrique et faites contrôler l'appareil par un réparateur agréé. **La non-observation de cette consigne entraîne un risque d'accident mortel.**
- Ne tentez jamais de démonter vous-même le bâti de l'appareil.
- N'enfoncez aucun objet dans la carcasse de l'appareil.
- Ne touchez pas la prise avec les mains mouillées ou humides.
- Contrôlez régulièrement la prise électrique et le cordon pour détecter toute éventuelle détérioration. Si la prise ou le cordon est endommagé, confiez la réparation à un réparateur agréé.
- N'utilisez pas l'appareil si celui-ci est tombé ou s'il a subi un choc pour toute autre raison. Dans ce cas, faites contrôler l'appareil par un réparateur agréé à qui vous confierez la réparation le cas échéant.
- Ne tentez pas de réparer vous-même l'appareil. **Cela présente un risque d'accident mortel.**
- Veillez à tenir le cordon électrique éloigné de tout objet coupant ou chaud et à l'écart des flammes. Pour débrancher la prise électrique, saisissez toujours la prise et ne tirez jamais directement sur le cordon.
- Veillez à disposer le cordon électrique (ou la rallonge) de sorte que l'appareil ne puisse pas être débranché accidentellement et que personne ne trébuche sur le cordon.
- Surveillez continuellement l'appareil lorsqu'il est en cours de fonctionnement.
- Les enfants n'ont pas conscience de l'usage incorrect des appareils électriques. Pour cette raison, ne laissez jamais les enfants utiliser des appareils électriques sans surveillance.
- Débranchez toujours la prise électrique lorsque l'appareil n'est pas utilisé et lors de son nettoyage.
- **Danger!** Tant que la prise électrique est branchée, l'appareil demeure sous tension.
- Arrêtez l'appareil avant de débrancher la prise électrique.
- Ne portez jamais l'appareil par le cordon électrique.
- N'utilisez pas d'accessoires qui n'ont pas été livrés avec l'appareil.
- Branchez l'appareil seulement sur une prise de courant avec la tension et la fréquence indiqués sur la plaque indiquant le type.
- Evitez toute surcharge.
- Après utilisation, débranchez l'appareil en retirant la fiche de la prise de courant.
- Débranchez aussi toujours l'appareil quand vous le remplissez ou le nettoyez.
- L'installation électrique doit satisfaire aux règles nationales et locales en vigueur.
- Cet appareil n'est pas apte à être utilisé par des personnes (enfants compris) avec capacités physiques, sensorielles ou intellectuelles diminuées ou ne possédant pas l'expérience et les connaissances suffisantes, à moins qu'une personne responsable de leur sécurité assure la supervision ou donne des instructions en ce qui concerne l'utilisation de l'appareil.

## Consignes particulières de sécurité

- Pour cette friteuse nous recommandons d'utiliser de l'huile ou de la graisse à frire liquide. Si vous utilisez pourtant une graisse consistante, s'il vous plaît préchauffez la graisse du pas à pas et lisez soigneusement '**les conseils pour graisse consistante**'.
- Débranchez aussi toujours l'appareil quand vous le remplissez ou quand vous le nettoyez.
- L'installation électrique doit satisfaire aux règles nationales et locales en vigueur.
- Si le niveau d'huile descend sous le niveau minimum, cela peut créer un risque d'incendie. Assurez-vous en conséquence que le bac contient suffisamment d'huile et contrôlez le niveau en cours d'utilisation.
- N'utilisez pas d'huile âgée, cela augmente les risques d'incendie.
- Règle générale: Utilisez 100 grammes de frites congelées dans 1 litre d'huile. Pour des autres produits à frire, suivez les instructions sur l'emballage.

## Préparation avant la première utilisation

- Assurez-vous que l'appareil est intact. S'il est endommagé, contactez immédiatement votre fournisseur et **N'UTILISEZ PAS** l'appareil.
- Enlevez tout le matériel d'emballage et le feuil de protection éventuellement existant
- Nettoyez l'appareil avec de l'eau tiède et un chiffon doux.
- Mettez l'appareil dans une position horizontale et sur un fondement stable à moins qu'il ne soit indiqué autrement.
- Veillez à ce qu'il reste assez d'espace autour de l'appareil pour l'évacuation de la chaleur.
- Installez l'appareil en veillant à ce que la prise de courant demeure accessible à tout moment.

## Installation

- Retirez la pellicule qui protège les parties en inox.
- Placez le porte-élément sur le support.

## Utilisation

### Attention: Mettez l'applicateur dans un group différent de 16 ampères

Cette Friteuse est un Friteuse double, vous-prenez deux groupe différente.

- Retirez la fiche de la prise de courant.
- Remplissez le récipient avec de l'huile ou de la graisse jusqu'à l'indication MAX. ATTENTION! Si vous utilisez une graisse consistante, préchauffez-la avant d'en remplir l'appareil. Vous éviterez ainsi qu'elle ne brûle et aussi la surcharge de l'appareil (Voir '**conseils graisse consistante**').
- Introduisez la fiche à ergot de terre dans une prise à la terre.
- Mettez l'appareil en marche en appuyant sur le bouton marche/arrêt vert du panneau de commande. Le voyant vert du bouton marche/arrêt s'allume.
- Mettez le thermostat à la température désirée. Le voyant orange s'allume.
- Quand l'huile/graisse est à la température désirée, le voyant orange s'éteint
- Pendant la friture le thermostat s'éteindra et s'allumera pour indiquer que l'élément chauffant maintient la température indiquée.
- Vous pouvez faire frire.

## Friture

La friteuse comporte une zone froide unique pour que les miettes et le résidu coulent au fond et pour préserver la qualité de l'huile. Contrôlez régulièrement s'il y a assez d'huile ou de graisse dans le récipient. Le niveau ne doit jamais se trouver au-dessous de l'indication MIN.



## Conseils de friture

- Utilisez préférentiellement uniquement de graisse liquide ou d'huile.
- La température recommandée pour les frites et les collations est de 180°C maximum.
- Retirez de la glace et des miettes des aliments congelés.
- Ne mettez jamais trop de produits à frire dans la friteuse, car cela refroidit l'huile/la graisse rapidement et les produits à frire ne seront pas assez vite grillés et seront plus intégrés avec de matières grasses. Avec un usage intensif vous devriez toujours enlever les restes de cuisson de la graisse/huile.
- Remplacez l'huile/la graisse à temps. Utilisez des bandes d'essai ou un appareil de mesure pour suivre quand il faut remplacer la graisse.
- Si la graisse ou d'huile a de la mousse, la fumée ou devient liquoreux, vous devez le remplacer. Aussi quand une forte odeur ou un goût fort se développe.
- Ne mélangez jamais de l'huile neuve avec de l'huile usagée.

## Graisse consistante

- Si vous utilisez, contre nos conseils, quand même de graisse consistante : faire chauffer la graisse lentement, dans la position la plus basse jusqu'à ça fonde. Lorsque la graisse a fondu, vous pouvez régler la température de friture adéquate.
- Lorsque vous utilisez de graisse consistante, laissez fondre le bloc de graisse lentement sur un feu modéré dans une poêle à frire normale. Versez délicatement la graisse fondue dans la friteuse. Branchez la fiche principale et allumez la friteuse.
- Retirez le panier de friture après utilisation de la graisse. Cela empêche que le panier devient coincé dans la graisse solidifiée.

## Après utilisation

- Débranchez l'appareil, éteignez l'interrupteur et retirez la fiche de la prise de courant.
- Retirez le panier avant qu'il ne se fige dans la graisse refroidie.
- Laissez la friteuse à sa place, jusqu'à ce que l'appareil et son contenu aient refroidi.
- Placez le couvercle sur la friteuse pour mieux conserver la graisse.

## Vider l'huile

ATTENTION ! d'huile liquide est brûlante et peut provoquer de graves brûlures.

Le robinet peut devenir très chaud en le touchant. Si vous vous brûlez avec de d'huile, refroidissez la brûlure avec de l'eau tiède, puis contactez votre médecin.

### Avant de vidanger l'huile, laissez-la refroidir jusqu'à 50°C.

- Mettez un bac sous le tuyau (attendez que l'huile soit refroidie jusqu'à 50°C).
- Pressez le bouton du robinet et tournez-le vers le gauche. L'huile coule du réservoir.
- Quand l'huile s'est coulée du réservoir, remettez le bouton à sa place. Contrôlez si le bouton est bien verrouillé de nouveau

## Nettoyage et entretien

- Avant de nettoyer l'appareil, débranchez toujours la prise électrique.
- Attention : Ne plongez jamais l'appareil dans de l'eau ou dans un autre liquide !
- Nettoyez l'extérieur de l'appareil avec un chiffon humide (imbibé d'eau mélangée à un détergent doux).
- N'utilisez jamais de détergent agressif, de la poudre à récurer ou des nettoyeurs chlorés. N'utilisez jamais d'objet tranchant ou pointu. N'utilisez jamais d'essence ou de solvant ! Nettoyez avec un chiffon humide et éventuellement du liquide vaisselle, mais n'utilisez pas de produit abrasif.

## Défauts

| Storing   | Verschijnsel                            | Mogelijke oorzaak  | Mogelijke oplossing  |
|---|---|--|--|
| L'appareil ne fonctionne pas du tout  | Voyant orange et vert ne s'allument pas | Pas de tension   | Contrôlez l'installation électrique                                    |
|   |   | Interrupteur "off"   | Réinitialisez l'interrupteur<br>Interrupteur défectueux                |
| L'appareil reste froid  | Voyant orange et vert ne s'allument pas | Vérifiez si le thermostat est branché                            | Réinitialisez le thermostat  |
|   |   | Thermostat défectueux  | Contactez votre fournisseur  |
| L'appareil reste froid<br><br>L'appareil ne fournit pas la température désirée.<br>/ long temps de friture<br>/ température trop élevée | Voyant orange et vert s'allument        | Le bloc de commande amovible n'est pas bien placé sur le support | Placez le bloc de commande amovible sur le support. Voir Installation. |
|   |   | Sécurité maximale enclenchée                                     | Réinitialisez la sécurité maximale (voir remarque 1)                   |
|   |   | Mircoswitch défectueux   | Contactez votre fournisseur  |
|   |   | Sécurité maximale défectueuse                                    | Contactez votre fournisseur  |
|   |   | Thermostat défectueux  | Contactez votre fournisseur  |

**Si après ces contrôles, le dysfonctionnement persiste, il est conseillé de contacter votre fournisseur. En cas de doute, contactez votre fournisseur.**

### 1) Réinitialisation de la sécurité maximale

- Laissez refroidir la friteuse.
- Retirez le bloc de commande amovible du support. Dévissez le chapeau de protection noir qui se trouve sous le bloc de commande amovible.
- Appuyez sur le « bouton de réinitialisation » de la sécurité maximale. Vous devez entendre clairement un clic.
- Remplacez le chapeau de protection noir
- Remplacez le bloc de commande amovible sur le support

## Garantie

Tout défaut entraînant le mauvais fonctionnement de l'appareil dans l'année qui suit l'achat fait l'objet d'une réparation ou d'un remplacement gratuit de l'appareil à condition que l'appareil ait été utilisé et entretenu conformément aux instructions, sans mauvaise application ou abus, ceci sans préjudice des droits que la loi vous accorde. Si vous voulez bénéficier de la garantie, veuillez indiquer le lieu et la date de l'achat de l'appareil et joindre une preuve d'achat (par ex. bon d'achat).

Nous visons constamment à améliorer nos produits et nous nous réservons le droit d'apporter des modifications au produit, à l'emballage et à la documentation sans avertissement préalable.

## Mise au rebut & Environnement

En fin d'utilisation, quand vous voudrez mettre votre l'appareil au rebut, respectez les prescriptions et directives en vigueur à cette date. Jetez le matériel d'emballage comme le plastique et les boîtes dans des conteneurs réservés à ce but. Éliminez huiles et graisses usagées conformément aux réglementations légales et aux directives.

# Pièces de rechange

7455.1000

| 21  | Power Switch        | 1   | 38    | Filter                     | 1   |
|-----|---------------------|-----|-------|----------------------------|-----|
| 20  | Electric Box        | 1   | 37    | Heating Element Support    | 1   |
| 17  | Microswitch         | 1   | 36    | Heating Element            | 1   |
| 16  | Terminal            | 1   | 35    | Support                    | 2   |
| 15  | Cable Lock          | 1   | 34    | Clamp 2                    | 4   |
| 14  | Relay               | 1   | 33    | Thermostat                 | 1   |
| 13  | Security Thermostat | 1   | 32    | Clamp 1                    | 2   |
| 12  | Handle for Cover    | 1   | 31    | Oil Indicator              | 1   |
| 11  | Cover               | 1   | 30    | Pushhook for Frying Basket | 1   |
| 8   | Oil Inlet Pipe      | 1   | 29    | Turning Axis               | 4   |
| 7   | Handle for Basket   | 1   | 27    | Heating Indicator Light    | 1   |
| 6   | Frying Basket       | 1   | 26    | Power Indicator Light      | 1   |
| 5   | Valve               | 1   | 25    | Base of the Kon            | 1   |
| 3   | Gasket              | 1   | 24    | Knob                       | 1   |
| 2   | Body                | 1   | 23    | PVC                        | 1   |
| 1   | Plastic Leg         | 4   | 22    | Electric Box Cover         | 1   |
| NO. | Name                | QTY | NO.   | Name                       | QTY |
|     |                     |     | Model | 7455 1000                  |     |

**7455.1003**

|     |                     |     |     |                            |     |
|-----|---------------------|-----|-----|----------------------------|-----|
| 15  | base of the Knob    | 1   | 30  | Clamp                      | 1   |
| 14  | Knob                | 1   | 29  | Heating Element Support    | 1   |
| 13  | Power Switch        | 1   | 28  | Heating Element            | 1   |
| 12  | Electric Box Cover  | 1   | 27  | Support                    | 2   |
| 11  | Terminal            | 1   | 26  | Clamp                      | 4   |
| 10  | Cable Lock          | 1   | 25  | Thermostat                 | 1   |
| 9   | Security Thermostat | 1   | 24  | Pushhook For Frying Basket | 1   |
| 8   | Cover Handle        | 1   | 23  | Oil Indicator              | 1   |
| 7   | Cover               | 1   | 22  | Microswitch                | 1   |
| 6   | Oil Pan             | 1   | 21  | Turning Axis               | 4   |
| 4   | Body                | 1   | 19  | PVC                        | 1   |
| 3   | Basket Handle       | 1   | 18  | Electric Box               | 1   |
| 2   | Frying Basket       | 1   | 17  | Heating Indicator Light    | 1   |
| 1   | Plastic Leg         | 4   | 16  | Power Indicator Light      | 1   |
| NO. | Name                | QTY | NO. | Name                       | QTY |

|       |           |
|-------|-----------|
| Model | 7455 1003 |
|-------|-----------|

**7455.1005**

|     |                     |     |     |                            |     |
|-----|---------------------|-----|-----|----------------------------|-----|
| 21  | Power Switch        | 2   | 38  | Filter                     | 2   |
| 20  | Electric Box        | 2   | 37  | Heating Element Support    | 2   |
| 17  | Microswitch         | 2   | 36  | Heating Element            | 2   |
| 16  | Terminal            | 2   | 35  | Support                    | 4   |
| 15  | Cable Lock          | 2   | 34  | Clamp 2                    | 8   |
| 14  | Relay               | 2   | 33  | Thermostat                 | 2   |
| 13  | Security Thermostat | 2   | 32  | Clamp 1                    | 2   |
| 12  | Handle for Cover    | 2   | 31  | Oil Indicator              | 2   |
| 11  | Cover               | 2   | 30  | Pushhook For Frying Basket | 2   |
| 8   | Oil letout Pipe     | 2   | 29  | Turning Axis               | 8   |
| 7   | Handle for Basket   | 2   | 27  | Heating Indicator Light    | 2   |
| 6   | Frying Basket       | 2   | 26  | Power Indicator Light      | 2   |
| 5   | Valve               | 1   | 25  | Base of the Knob           | 2   |
| 3   | Gasket              | 2   | 24  | Knob                       | 2   |
| 2   | Body                | 1   | 23  | PVC                        | 2   |
| 1   | Plastic Leg         | 4   | 22  | Electric Box Cover         | 2   |
| NO. | Name                | QTY | NO. | Name                       | QTY |

|       |           |
|-------|-----------|
| Model | 7455 1005 |
|-------|-----------|

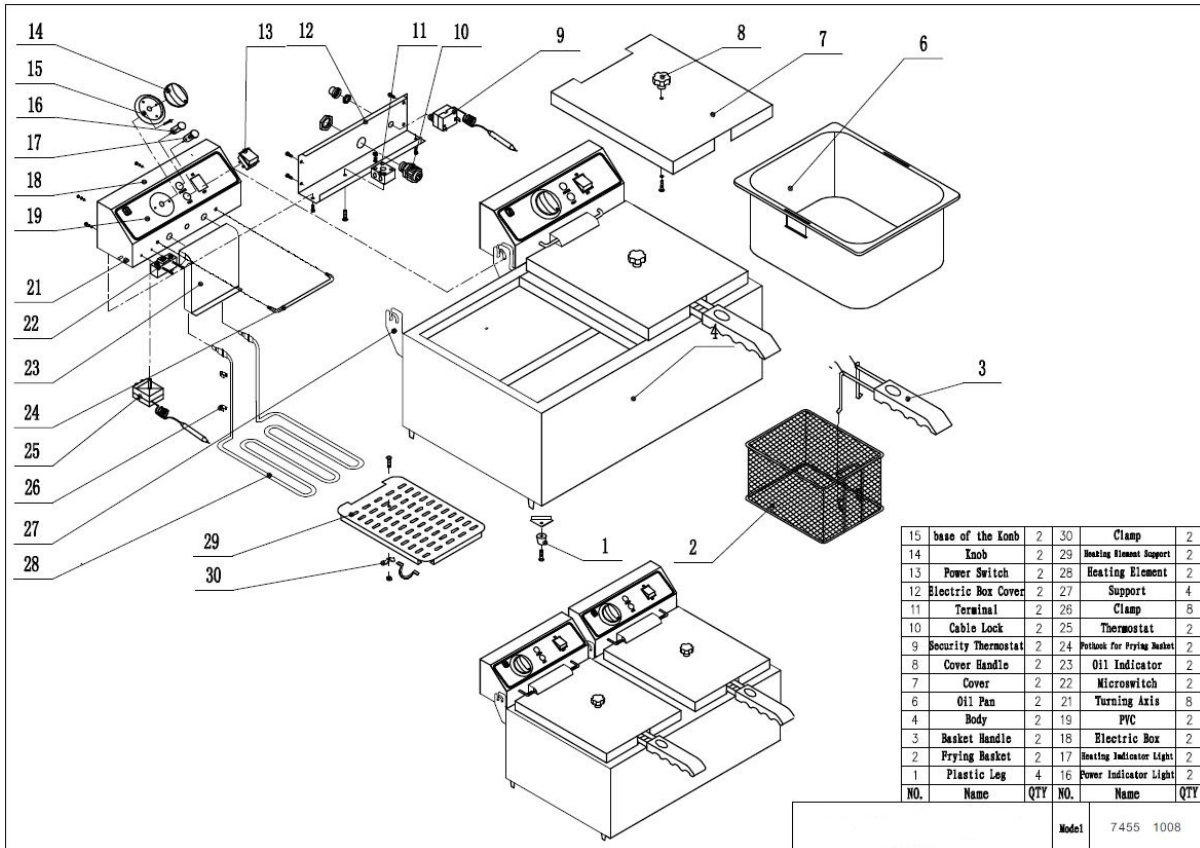
7455.1006

|     |                     |     |     |                           |     |
|-----|---------------------|-----|-----|---------------------------|-----|
| 21  | Power Switch        | 1   | 38  | Filter                    | 1   |
| 20  | Electric Box        | 1   | 37  | Heating Element Support   | 1   |
| 17  | Microswitch         | 1   | 36  | Heating Element           | 1   |
| 16  | Terminal            | 1   | 35  | Support                   | 2   |
| 15  | Cable Lock          | 1   | 34  | Clamp 2                   | 4   |
| 14  | Relay               | 1   | 33  | Thermostat                | 1   |
| 13  | Security Thermostat | 1   | 32  | Clamp 1                   | 2   |
| 12  | Handle for Cover    | 1   | 31  | Oil Indicator             | 1   |
| 11  | Cover               | 1   | 30  | Perbook For Frying Basket | 1   |
| 8   | Oil letont Pipe     | 1   | 29  | Turning Axis              | 4   |
| 7   | Handle for Basket   | 1   | 27  | Heating Indicator Light   | 1   |
| 6   | Frying Basket       | 1   | 26  | Power Indicator Light     | 1   |
| 5   | Valve               | 1   | 25  | Base of the Kon           | 1   |
| 3   | Gasket              | 1   | 24  | Knob                      | 1   |
| 2   | Body                | 1   | 23  | PVC                       | 1   |
| 1   | Plastic Leg         | 4   | 22  | Electric Box Cover        | 1   |
| NO. | Name                | QTY | NO. | Name                      | QTY |

7455.1007

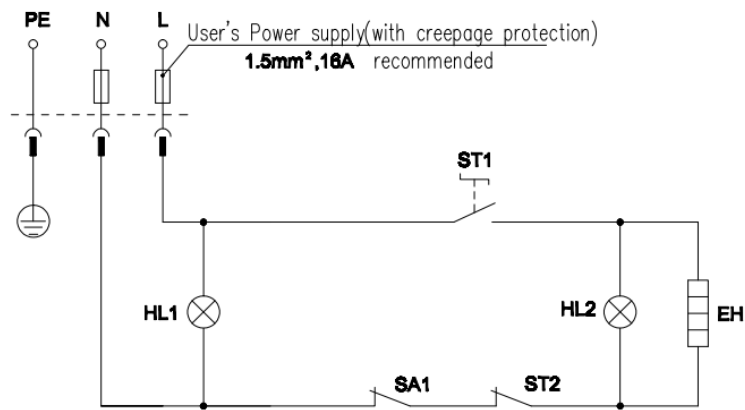
|     |                     |     |     |                           |     |
|-----|---------------------|-----|-----|---------------------------|-----|
| 21  | Power Switch        | 2   | 38  | Clamb -                   | 2   |
| 20  | Electric Box        | 2   | 37  | Heating Element Support   | 2   |
| 17  | Microswitch         | 2   | 36  | Heating Element           | 6   |
| 16  | Terminal            | 2   | 35  | Support                   | 4   |
| 15  | Cable Lock          | 2   | 34  | Clamp 2                   | 8   |
| 14  | Contactora          | 2   | 33  | Thermostat                | 2   |
| 13  | Security Thermostat | 2   | 32  | Clamp 1                   | 2   |
| 12  | Handle for Cover    | 2   | 31  | Oil Indicator             | 2   |
| 11  | Cover               | 2   | 30  | Perbook For Frying Basket | 2   |
| 8   | Oil letont Pipe     | 2   | 29  | Turning Axis              | 8   |
| 7   | Handle for Basket   | 2   | 27  | Heating Indicator Light   | 2   |
| 6   | Frying Basket       | 2   | 26  | Power Indicator Light     | 2   |
| 5   | Valve               | 1   | 25  | Base of the Kon           | 2   |
| 3   | Gasket              | 2   | 24  | Knob                      | 2   |
| 2   | Body                | 1   | 23  | PVC                       | 2   |
| 1   | Plastic Leg         | 4   | 22  | Electric Box Cover        | 2   |
| NO. | Name                | QTY | NO. | Name                      | QTY |

**7455.1008**



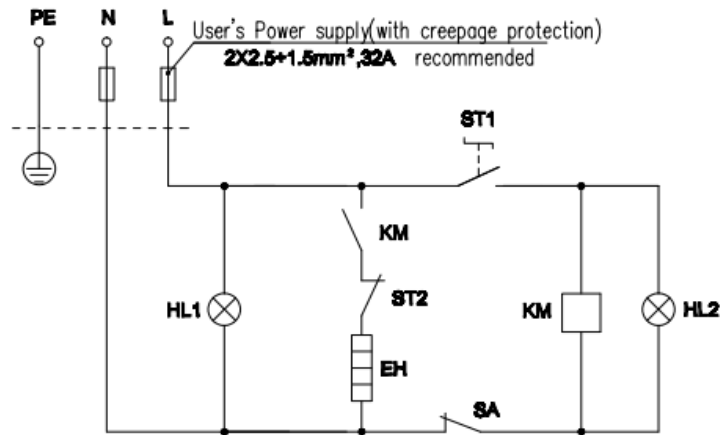
**Circuit diagram**

EF-061 EF-062 EF-081 EF-082 EF-101V EF-102V  
 EF-131V EF-132V EF-171 EF-172 EFB-101V EFB-102V  
 EFB-151V EFB-152V EFB-102V/C EFB-152V /C  
 AC 220~240V 50~60Hz 2~3.5kw



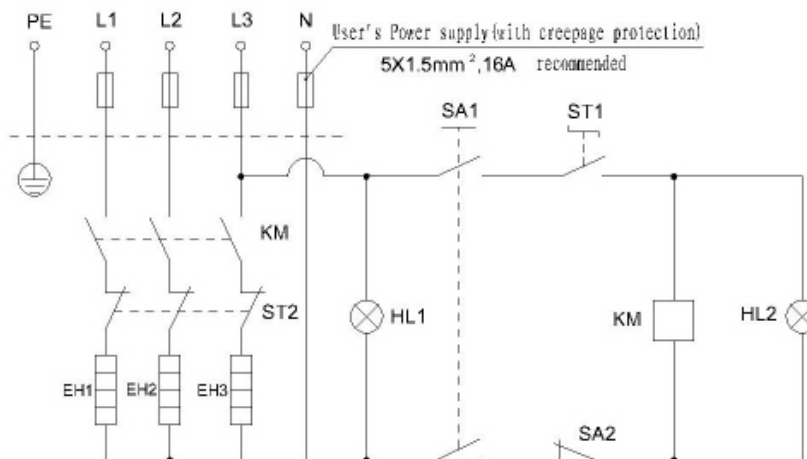
SA1: Microswitch  
 ST1: Thermostat  
 ST2: Security Thermostat  
 HL1: Power Lamp  
 HL2: Heating Lamp  
 EH: Heating Element

EF-171 EF-172 EF-171/C EF-172 /C  
 EF-191V EF-192 V EF-161V/C EF-162 V /C  
 EF-161V EF-162 V EFB-222V/C  
 EFB-221V EFB-222 V  
 (不带电源开关)  
 AC 220-240V 50-60Hz 3.5-5Kw



**HL1: Power Light**                      **SA: Microswitch**  
**HL2: Heating Light**                  **EH: Heating Element**  
**ST1: Thermostat**                      **KM: Relay**  
**ST2: Security Thermostat(32A)**

EF-171 EF-172 EF-171/C EF-172 /C  
 EF-191 EF-192 EF-161V/C EF-162 V /C  
 EF-161V EF-162 V EFB-222V/C  
 EFB-221V EFB-222 V  
 三相, AC 380-415V 3.5-6Kw



**KM: Contactor**                              **HL1: Power Lamp**  
**ST1: Thermostat**                            **HL2: Heating Lamp**  
**ST2: Security Thermostat**              **SA1: Power Switch**  
**EH1~3: Heating Element**                **SA2: Microswitch**