



**7280.0055**

Onderdelen informatie

Erzatzteil information

Spare part information

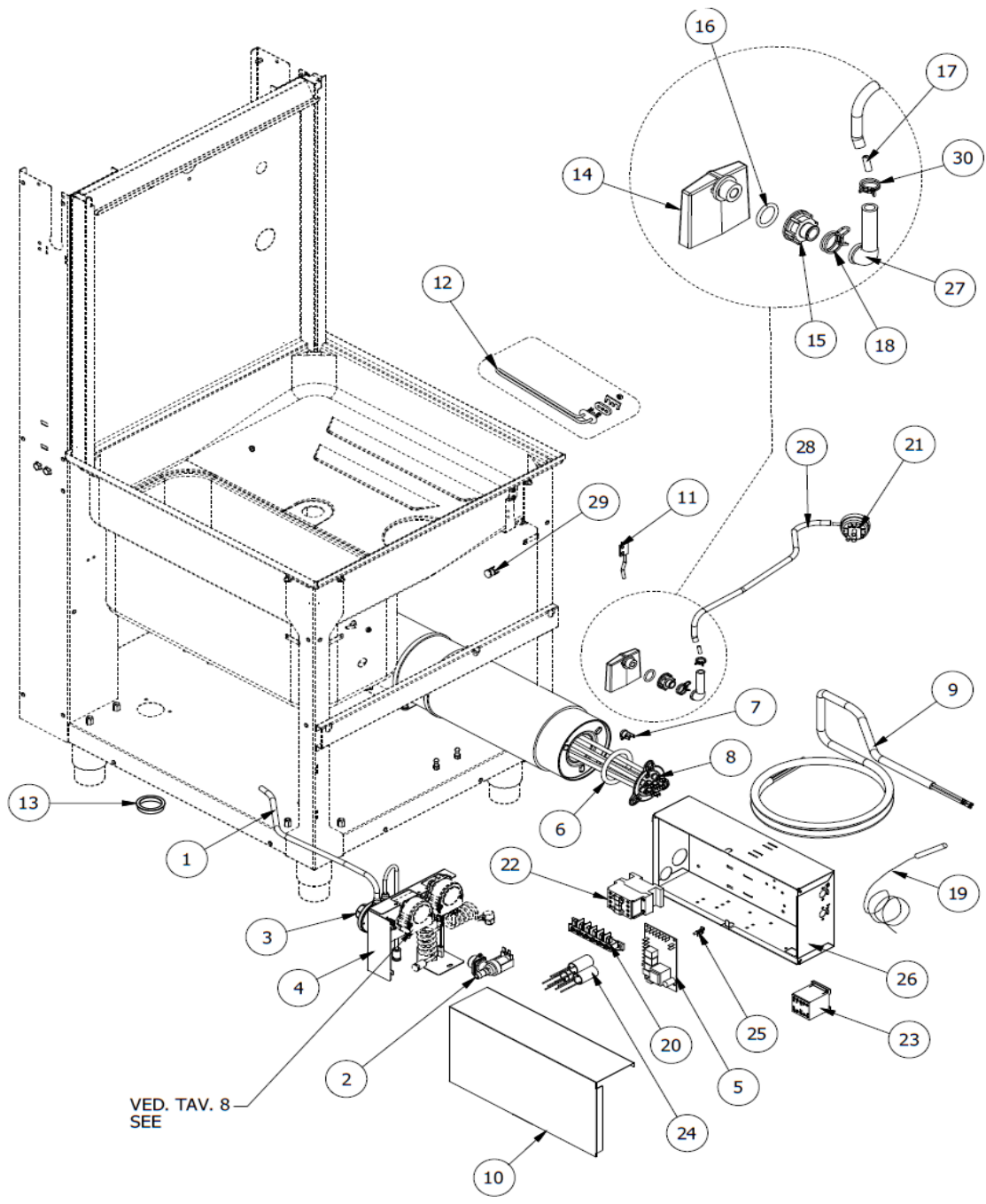
Information de pièces





## Onderdelenlijst 7280.0055

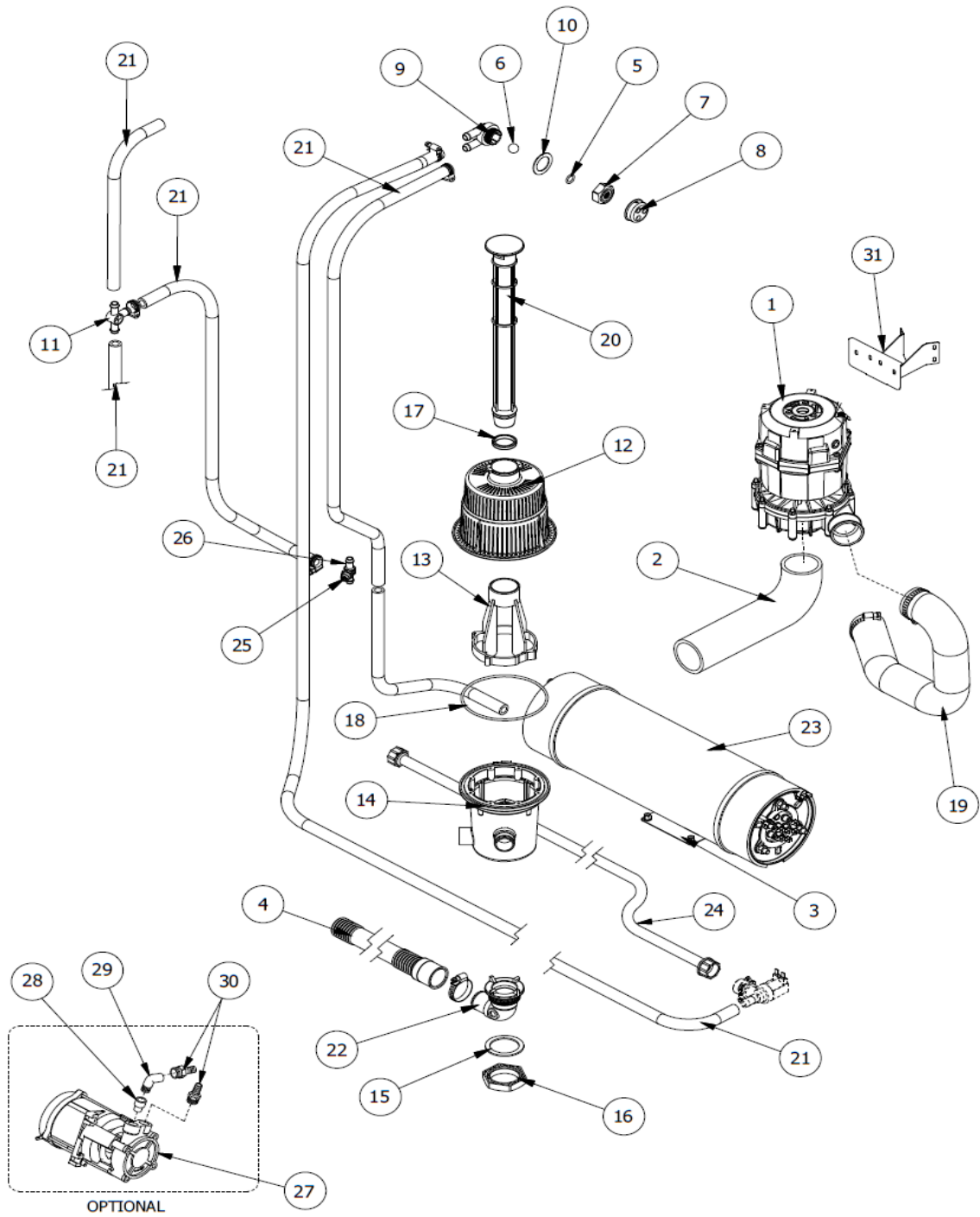
| POS: | Art.No.:  | Omschrijving:                       | Aantal: |
|------|-----------|-------------------------------------|---------|
| 1    |           | HOOD CPL.                           |         |
| 1A   | 9136.3158 | HOOD CPL. (DOUBLE WALL, OPT)        |         |
| 2    | 9136.2878 | RAIL GUIDE                          |         |
| 3    | 9136.3090 | MAGNETIC UNIT (*)                   |         |
| 4    |           | SIDE PANEL , RIGHT/LEFT             |         |
| 5    |           | ROOF PANEL, RIGHR/LEFT              |         |
| 6    |           | REAR PANEL                          |         |
| 7    |           | UPPER PANEL                         |         |
| 8    |           | CONTROL PANEL                       |         |
| 9    |           | S/S TANK COVER BAND                 |         |
| 10   | 9136.3152 | HOOD LIFT HANDLE                    |         |
| 11   | 9136.2935 | GUIDE FOR HOOD LIFT HANDLE          |         |
| 12   |           | INTERNAL PLATE                      |         |
| 13   |           | PLATE FOR HOOD LIFT HANDLE          |         |
| 14   | 9136.0705 | SPRING (*)                          |         |
| 15   | 9136.1753 | HOOK M8x120                         |         |
| 16   | 9136.2877 | HOOD LIFT HANDLE SUPPORT            |         |
| 17   | 9136.2925 | BUSHING FOR HOOD LIFT HANDLE        |         |
| 18   | 9136.2498 | LOCK FOR CONNECTING ROD             |         |
| 19   | 9136.0712 | SLEEVE BEARING                      |         |
| 20   | 9136.0713 | SPRING ROLLER                       |         |
| 21   | 9136.2497 | PLATE FOR CONNECTING ROD            |         |
| 22   | 9136.2626 | ADJUSTABLE FEET                     |         |
| 23   | 9136.2997 | BASKET FRAME CPL.                   |         |
| 23A  | 9136.2946 | BASKET FRAME CPL. (FOR "L" VERSION) |         |
| 24   | 9136.0206 | PG21 CABLE CLAMP                    |         |
| 25   | 9136.2894 | TANK FILTER ASSY                    |         |
| 26   | 9136.2896 | ADHESIVE LABEL                      |         |
| 27   | 9136.2955 | CONNECTOR CABLE DISPLAY-MAIN        |         |
| 28   | 9136.2900 | DISPLAY (*)                         |         |
| 29   | 9136.3162 | SPACER                              |         |
| 30   | 9136.1086 | M3 SPACER                           |         |
| 31   | 9136.2897 | FILTER WITH HANDLE ASSY             |         |



VED. TAV. 8  
SEE

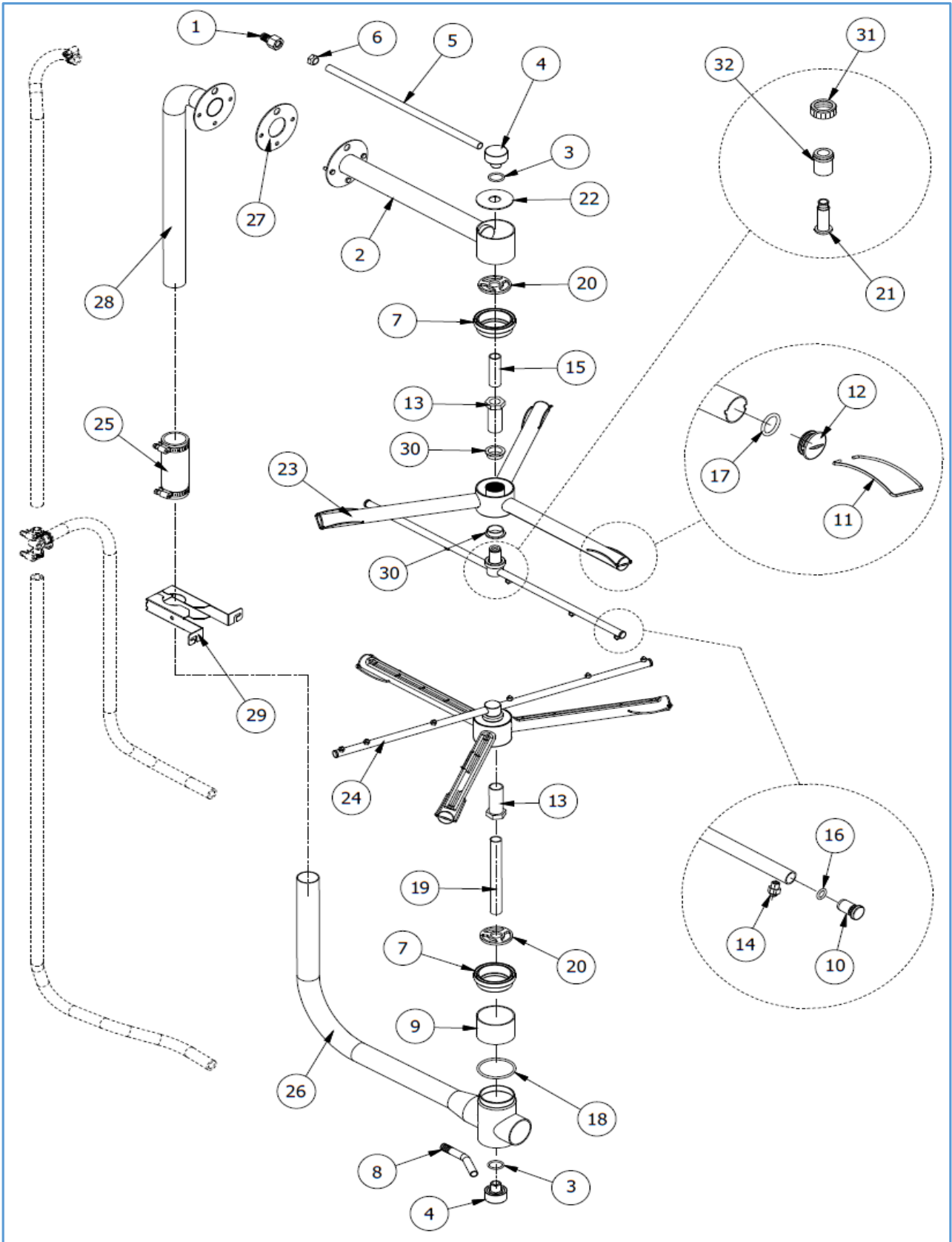
## Onderdelenlijst 7280.0055

| POS: | Art.No.:  | Omschrijving:                            | Aantal: |
|------|-----------|--|---------|
| 1    |           | EPDM BLACK HOSE DIAM. mm. 5x11           |         |
| 2    | 9136.0193 | SINGLE SOLENOID VALVE 230V 50Hz (*)      |         |
| 3    |           | ADJUSTABLE RINSE-AID DISPENSER (*)       |         |
| 4    | 9136.2869 | DISPENSERS SUPPORT (SHEET METAL ONLY)    |         |
| 5    | 9136.2899 | ELECTRONIC CARDBOARD (*)                 |         |
| 6    | 9998.5876 | O-RING FOR BOILER FLANGE (*)             |         |
| 7    | 9136.1314 | MANUAL RESET SAFETY THERMOSTAT 100°C (*) |         |
| 8    | 9136.2940 | 240V 9000W BOILER HEATING ELEMENT        |         |
| 9    | 9136.0534 | 5G4 POWER CORD SUPPLY (THREE PHASE)      |         |
| 10   | 9136.2947 | COVER FOR WIRING METAL BOX               |         |
| 11   | 9136.2706 | PROX. MAGNETIC MICROSWITCH (*)           |         |
| 12   | 9136.3030 | 230V 1500W HEATING ELEMENT KIT (*)       |         |
| 13   |           | RIGID SNAP CABLE BUSHING d. 50 mm.       |         |
| 14   | 9136.1042 | AIR TRAP (*)                             |         |
| 15   | 9136.1043 | AIR TRAP NUT                             |         |
| 16   | 9136.0816 | O-RING 4081                              |         |
| 17   | 9136.0815 | BRASS PIPE                               |         |
| 18   | 9136.0192 | D. 21.6-20.6 WIRE CLAMP                  |         |
| 19   | 9136.2968 | TEMPERATURE PROBE ASSY (*)               |         |
| 20   |           | TERMINAL BOARD FV122- 40A- 450V          |         |
| 21   | 9136.2996 | PRESSOSTAT LEVEL 70/180 (*)              |         |
| 22   | 9136.1147 | 230V 50-60HZ 25A CONTACTOR (*)           |         |
| 23   | 9136.1389 | 230V 50-60HZ 20A CONTACTOR (*)           |         |
| 24   | 9136.0787 | 0,47 µF INTERFERENCE SUPPRESSOR          |         |
| 25   | 9136.3740 | P.C.B. SPACER                            |         |
| 26   | 9136.2867 | WIRING METAL BOX (SHEET METAL ONLY)      |         |
| 27   | 9136.0814 | ANTI-CONDENSATION PIPE FITTING           |         |
| 28   | 9136.0652 | EPDM HOSE BLACK D. mm. 5x10              |         |
| 29   | 9136.1075 | MANUAL RESET SAFETY THERMOSTAT 95°C (*)  |         |
| 30   | 9136.0190 | D. 15.9-14.8 WIRE CLAMP                  |         |



## Onderdelenlijst 7280.0055

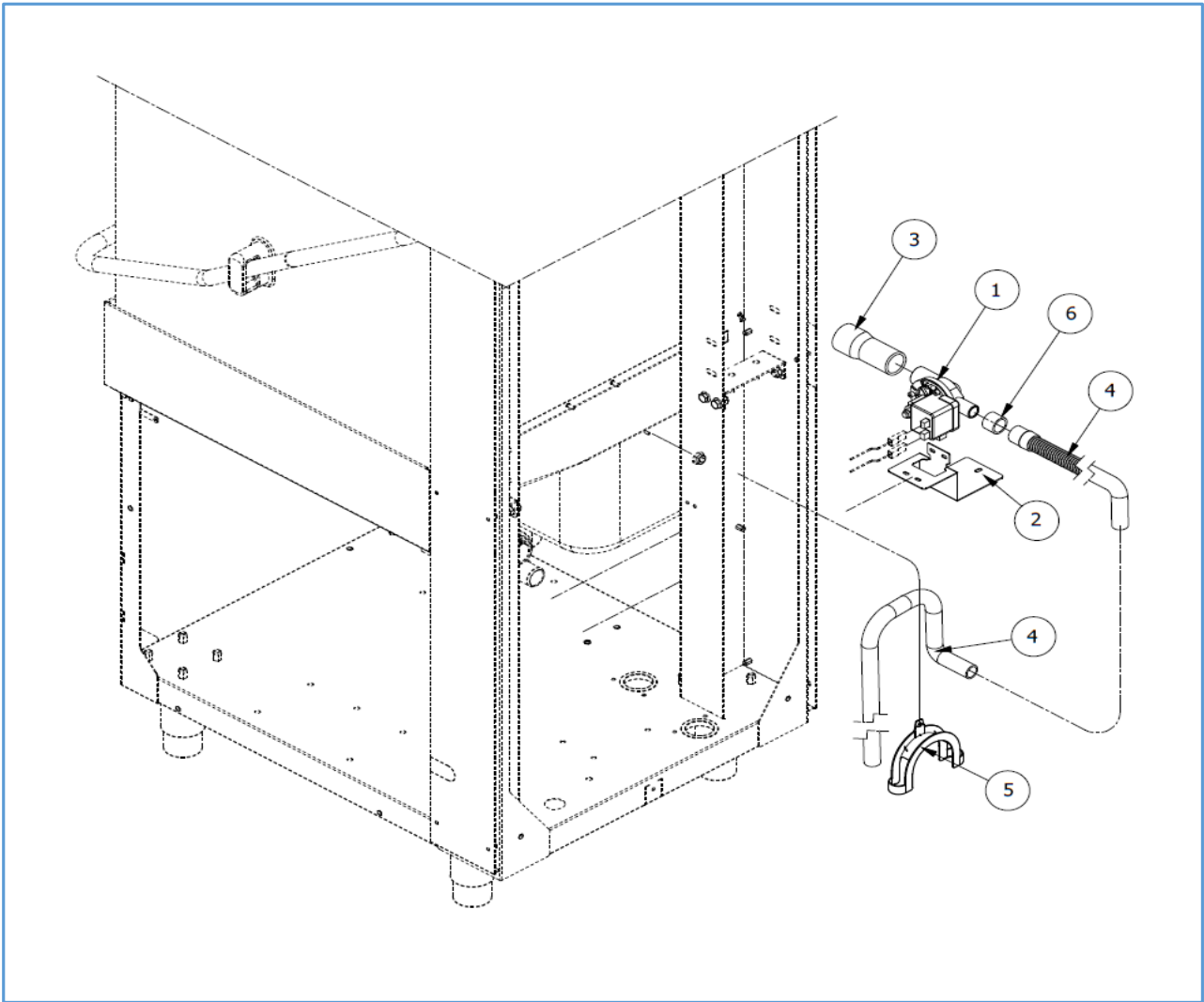
| POS: | Art.No.:  | Omschrijving:                        | Aantal: |
|------|-----------|--------------------------------------|---------|
| 1    | 9136.3013 | WASHING PUMP 1,3Kw 400V~50HZ         |         |
| 1A   |           | WASHING PUMP 1,3Kw 400V~60HZ         |         |
| 2    | 9136.2971 | INTAKE RUBBER COUPLING               |         |
| 3    |           | 8lt. BOILER ASSY                     |         |
| 4    | 9136.0614 | DRAIN HOSE Int. D. mm28, L= 2000 mm. |         |
| 5    | 9136.0121 | O-RING 115 (*)                       |         |
| 6    | 9136.0130 | 5/8 " PTFE BALL (*)                  |         |
| 7    | 9136.0795 | NOT RETOURN VALVE RING NUT           |         |
| 8    | 9136.3108 | NOT RETOURN VALVE PLASTIC COVER      |         |
| 9    | 9136.0794 | NOT RETOURN VALVE BODY               |         |
| 10   | 9136.0837 | RUBBER GASKET                        |         |
| 11   | 9136.1088 | 3-WAYS DISTRIBUTOR                   |         |
| 12   | 9136.3173 | TANK PLASTIC FILTER                  |         |
| 13   | 9136.3174 | PLASTIC FILTER SUPPORT               |         |
| 14   | 9136.3175 | FILTER GROUP DRAIN CUP               |         |
| 15   | 9136.0142 | RUBBER GASKET                        |         |
| 16   | 9136.0141 | DRAIN SCREW                          |         |
| 17   | 9136.3179 | GASKET DE 150 (*)                    |         |
| 18   | 9136.2995 | O-RING 4500 (*)                      |         |
| 19   | 9136.2974 | WASH PIPE RUBBER COUPLING            |         |
| 20   | 9136.3178 | OVERFLOW                             |         |
| 21   | 9136.1610 | D. mm. 11,5X19 RUBBER HOSE (*)       |         |
| 22   | 9136.3176 | MACHINE DRAIN                        |         |
| 23   | 9136.2998 | BOILER INSULATION BAND               |         |
| 24   | 9136.0160 | WATER SUPPLY HOSE L=2000mm.          |         |
| 25   | 9136.0674 | PLASTIC LOCK NUT                     |         |
| 26   | 9136.0691 | PRESSURE CONNECTION                  |         |
| 27   | 9136.0187 | BOOSTER PUMP 230V 50Hz (OPT)         |         |
| 27A  | 9136.1327 | BOOSTER PUMP 230V 60Hz (OPT)         |         |
| 28   | 9136.2118 | 3/8" G x30 BRASS CONNECTION          |         |
| 29   | 9136.1131 | 90° M/F ELBOW                        |         |
| 30   | 9136.0494 | 3/8"G-D.12 mm. BRASS FITTING         |         |
| 31   | 9136.2970 | WASHING PUMP SUPPORT                 |         |





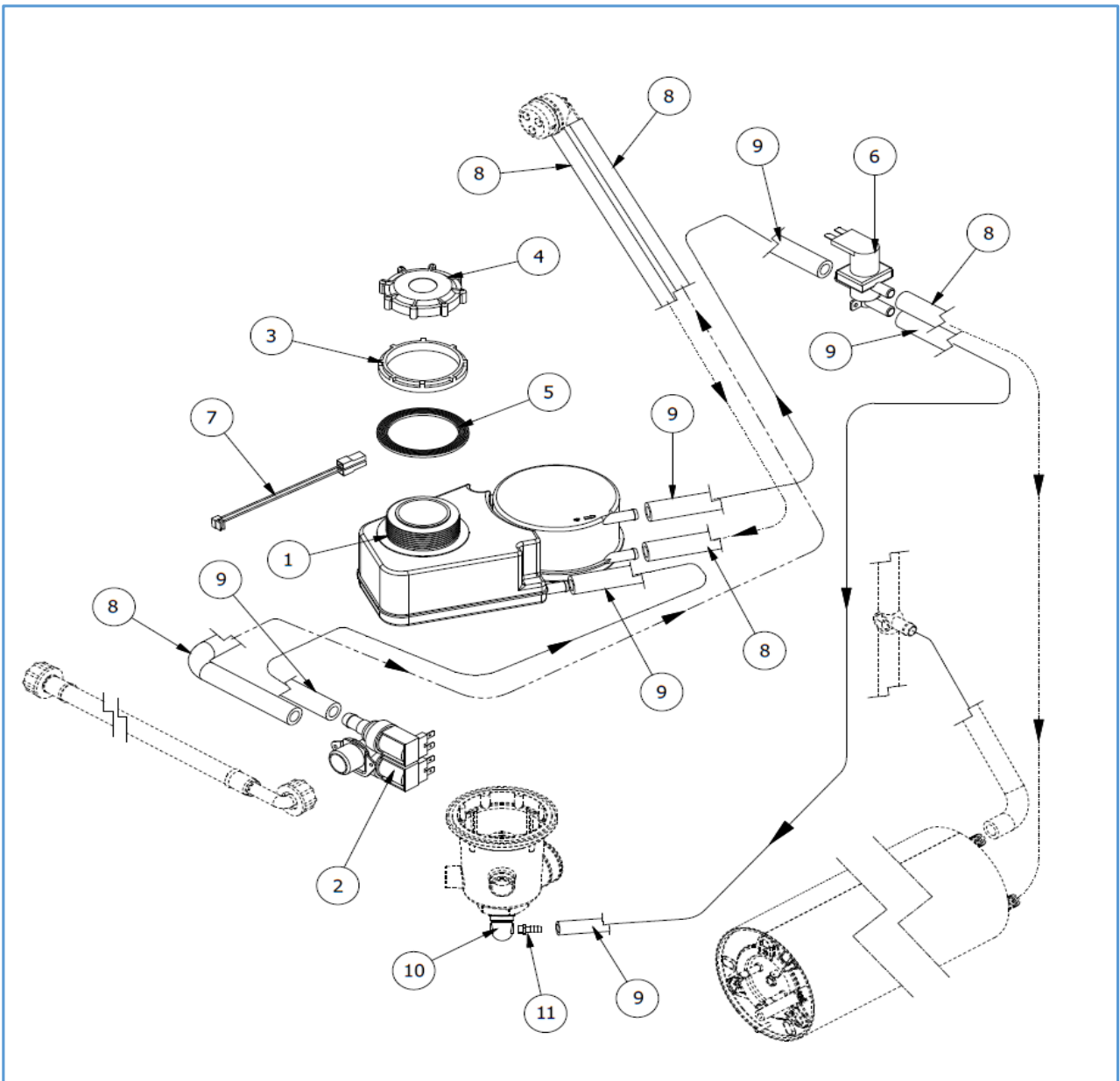
## Onderdelenlijst 7280.0055

| POS: | Art.No.:  | Omschrijving:                    | Aantal: |
|------|-----------|----------------------------------|---------|
| 1    |           | S/S TENSIONER CONNECTION         |         |
| 2    |           | UPPER WASHING PIPE ASSY          |         |
| 3    | 9136.0101 | O-RING 128                       |         |
| 4    | 9136.1765 | 90° UNION ELBOW                  |         |
| 5    |           | UPPER RINSE PIPE                 |         |
| 6    | 9136.0905 | NUT M12x1                        |         |
| 7    |           | FLANGE FOR LOWER TENSIONER COVER |         |
| 8    | 9136.1985 | M12x1 STAINLESS STEEL FITTING    |         |
| 9    |           | LOWER TENSIONER COVER            |         |
| 10   | 9136.0690 | RINSE PLASTIC PLUG (*)           |         |
| 11   | 9136.0743 | LEAF SPRING                      |         |
| 12   | 9136.0741 | WASHING ARMS PLASTIC PLUG (*)    |         |
| 13   | 9136.0724 | WASH PIN                         |         |
| 14   | 9136.3172 | STAINLESS STEEL RINSE NOZZLE M6  |         |
| 15   | 9136.2519 | UPPER TENSIONER                  |         |
| 16   | 9136.0700 | O-RING 106                       |         |
| 17   | 9136.0112 | O-RING 121                       |         |
| 18   | 9136.1752 | O-RING 158                       |         |
| 19   | 9136.2920 | LOWER TENSIONER                  |         |
| 20   |           | INT. FLANGE FOR TENSIONER COVER  |         |
| 21   | 9136.0669 | STAINLESS STEEL PIN              |         |
| 22   |           | WASHERS ASSY FOR TENSIONER COVER |         |
| 23   |           | WASHING ARMS ASSY                |         |
| 24   | 9136.3239 | RINSE ARMS ASSY                  |         |
| 25   | 9136.0772 | D. 42mm. x 115 RADIOR PIPE       |         |
| 26   |           | LOWER WASHING PIPE ASSY          |         |
| 27   | 9136.2504 | GASKET FOR WASHING FLANGE        |         |
| 28   | 9136.2503 | UPPER WASHING PIPE ASSY          |         |
| 29   | 9136.2999 | WASHING PIPE SUPPORT             |         |
| 30   | 9136.0672 | TEFLON PLAIN BEARINGS (*)        |         |
| 31   | 9136.0668 | STAINLESS STEEL RING NUT         |         |
| 32   | 9136.0670 | TEFLON BUSH                      |         |



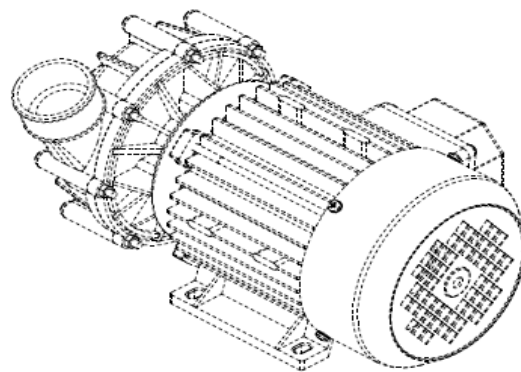
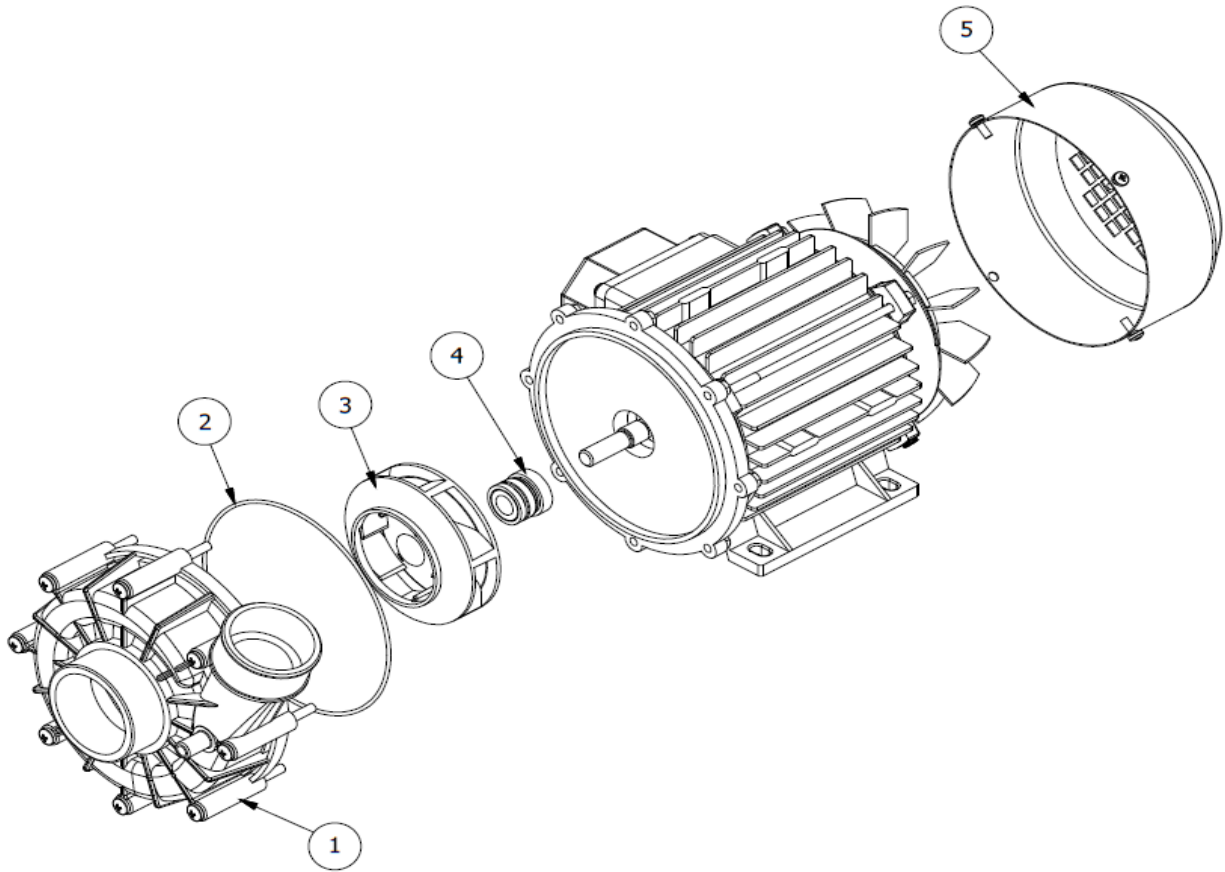
## Onderdelenlijst 7280.0055

| POS: | Art.No.:  | Omschrijving:           | Aantal: |
|------|-----------|-------------------------|---------|
| 1    | 9136.0186 | DRAIN PUMP 230V 50Hz(*) |         |
| 1A   |           | DRAIN PUMP 220V 60Hz(*) |         |
| 2    | 9136.2924 | DRAIN PUMP SUPPORT      |         |
| 3    | 9136.0835 | RUBBER COUPLING         |         |
| 4    |           | DRAIN HOSE L= 2500mm.   |         |
| 5    | 9136.3116 | DRAIN HOSE SUPPORT      |         |



## Onderdelenlijst 7280.0055

| POS: | Art.No.:  | Omschrijving:                           | Aantal: |
|------|-----------|---|---------|
| 1    |           | AUTOMATIC WATER SOFTNER                 |         |
| 2    | 9136.2147 | DOUBLE SOLENOID VALVE 90° 230V D.A. (*) |         |
| 3    | 9136.0458 | WATER SOFTNER RING NUT                  |         |
| 4    | 9136.0457 | SALT CONTAINER PLUG                     |         |
| 5    | 9136.1622 | GASKET                                  |         |
| 6    |           | SOLENOID VALVE DOUBLE EXIT (*)          |         |
| 7    |           | WATER SOFTNER CONNECTIONE CABLE         |         |
| 8    | 9136.1610 | D. mm. 11,5X19 RUBBER HOSE (*)          |         |
| 9    |           | D. mm.10x17 BLACK RUBBER HOSE           |         |
| 10   |           | MACHINE DRAIN                           |         |
| 11   |           | STAINLESS STEEL FITTING 1/4"            |         |

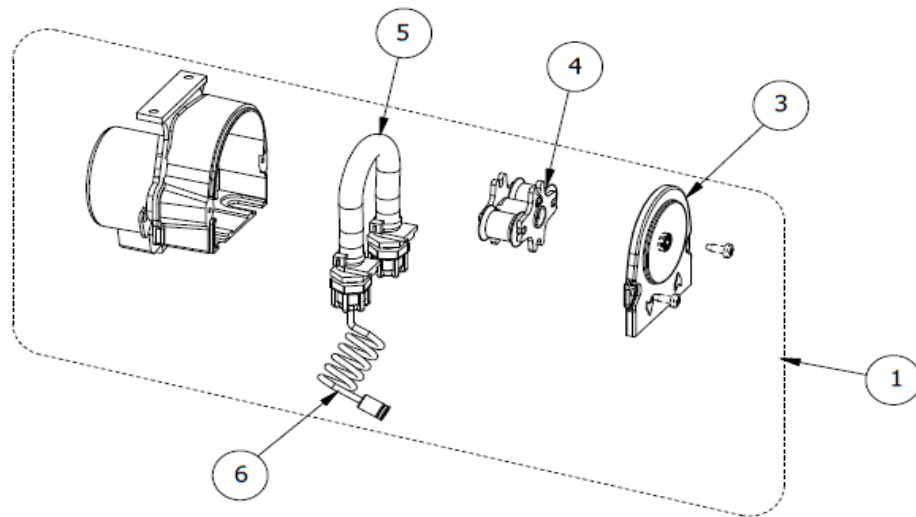


COD. 00015514 (400V 50Hz)  
COD. 00016657 (400V 60Hz)

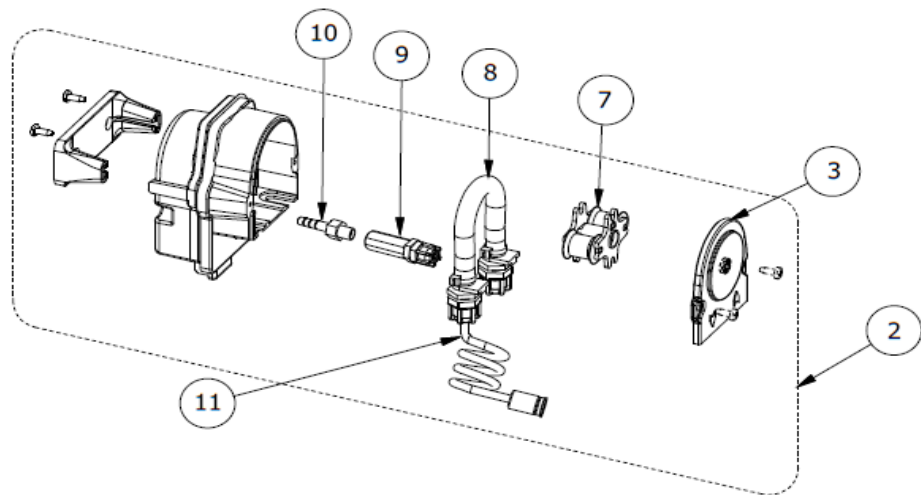
## Onderdelenlijst 7280.0055

| POS: | Art.No.:  | Omschrijving:        | Aantal: |
|------|-----------|----------------------|---------|
| 1    |           | PUMP PLASTIC BODY    |         |
| 2    |           | GASKET               |         |
| 3    |           | IMPELLER             |         |
| 4    | 9136.2907 | MECHANICAL SEAL ASSY |         |
| 5    |           | FAN COVER            |         |

DOS. DETERSIVO FISSO  
FIX DETERGENT DISPENSER



DOS. BRILLANTANTE REGOLABILE  
RINSE-AID DISPENSER ADJUSTABLE





## Onderdelenlijst 7280.0055

| POS: | Art.No.:  | Omschrijving:                            | Aantal: |
|------|-----------|--|---------|
| 1    | 9136.3105 | FIXED DETERGENT DISPENDER 3Lt/h          |         |
| 2    | 9136.3106 | ADJUSTABLE RINSE-AID DISPENDER 0-0,5Lt/h |         |
| 3    |           | COVER ASSY                               |         |
| 4    | 9136.1783 | DETERG. DISPENS. ROLL HOLDERS ASSY (*)   |         |
| 5    | 9136.3167 | INTERNAL DETERG. DISPENSER HOSE (*)      |         |
| 6    | 9136.1361 | DETERG. DISPENS. FILTER ASSY WITH HOSE   |         |
| 7    |           | RINSE-AID DISPENS. ROLL HOLDERS ASSY (*) |         |
| 8    | 9136.3168 | INTERNAL RINSE-AID DISPENSER HOSE (*)    |         |
| 9    | 9136.1750 | NOT RETURN VALVE FOR RINSE-AID DISP.(*)  |         |
| 10   |           | 1/8" STAINLESS STEEL HOSE NIPPLE         |         |
| 11   | 9136.1362 | RINSE-AID DISPENS. FILTER ASSY WITH HOSE |         |