



**7280.0050**

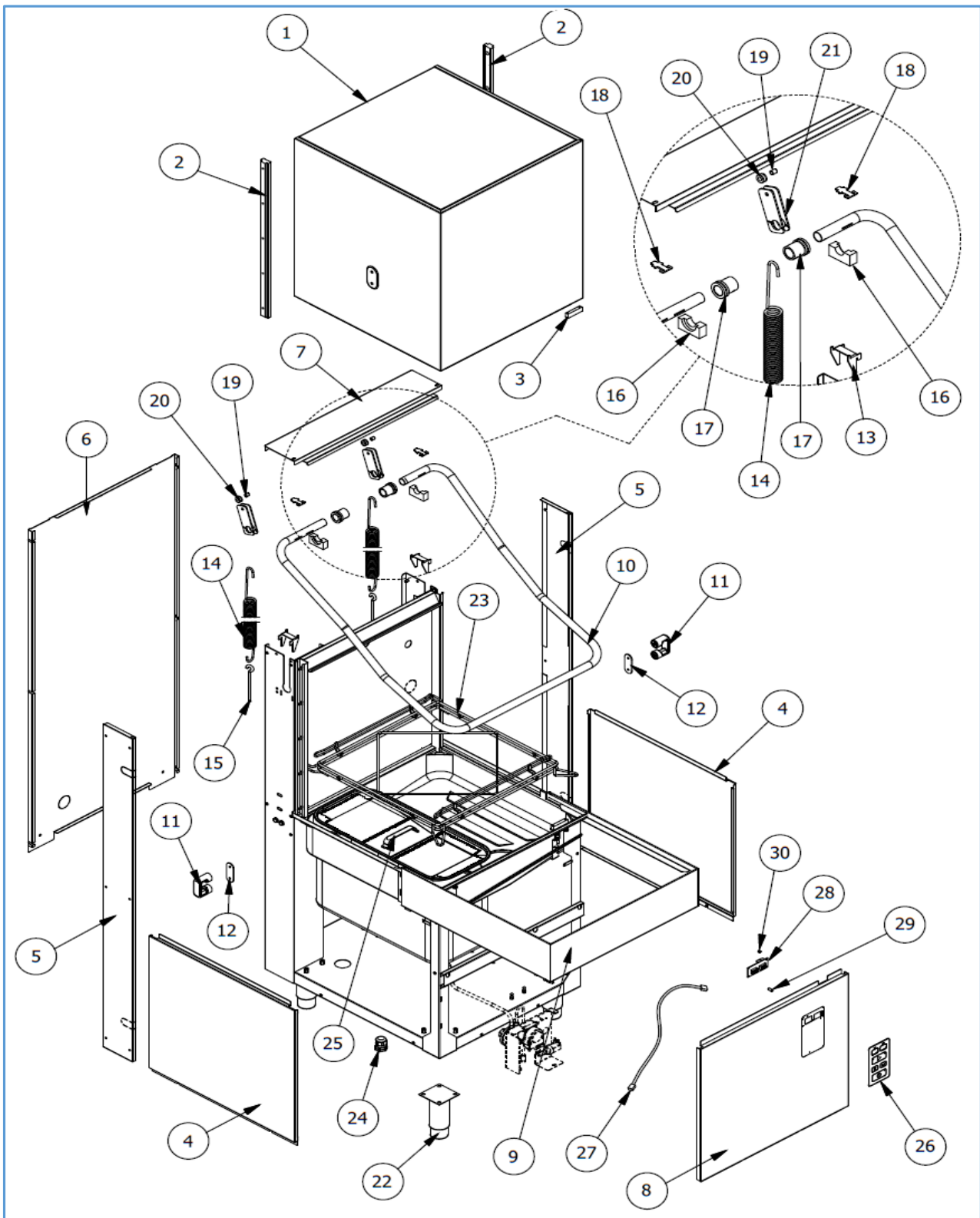
Onderdelen informatie

Erzatzteil information

Spare part information

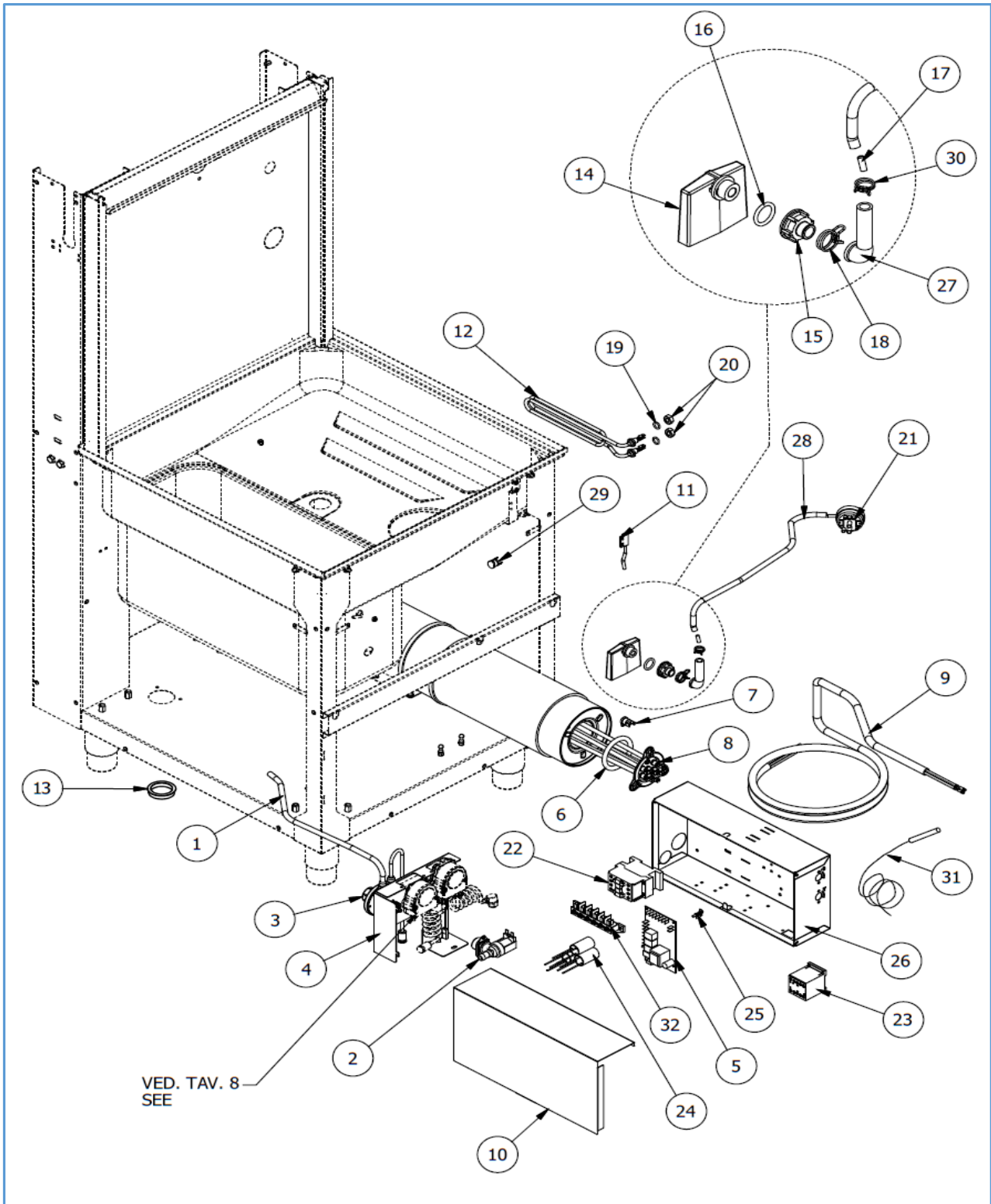
Information de pièces





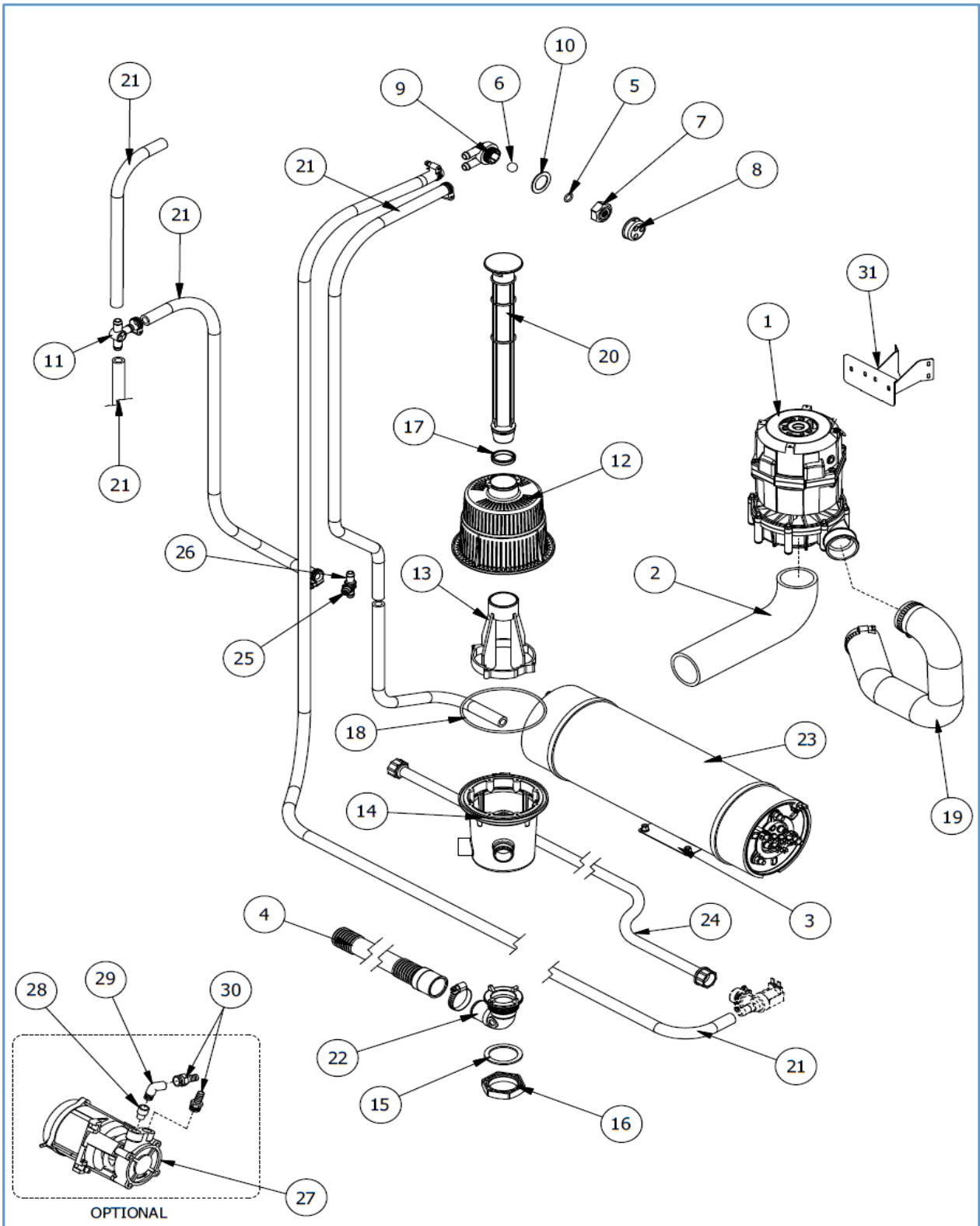
## Onderdelenlijst 7280.0050

| POS: | Art.No.:  | Omschrijving:                | Aantal: |
|------|-----------|------------------------------|---------|
| 1    |           | HOOD CPL.                    |         |
| 2    | 9136.2878 | RAIL GUIDE                   |         |
| 3    | 9136.3090 | MAGNETIC UNIT (*)            |         |
| 4    |           | SIDE PANEL , RIGHT/LEFT      |         |
| 5    |           | ROOF PANEL, RIGHR/LEFT       |         |
| 6    |           | REAR PANEL                   |         |
| 7    |           | UPPER PANEL                  |         |
| 8    |           | CONTROL PANEL                |         |
| 9    |           | S/S TANK COVER BAND          |         |
| 10   | 9136.3152 | HOOD LIFT HANDLE             |         |
| 11   | 9136.2935 | GUIDE FOR HOOD LIFT HANDLE   |         |
| 12   |           | INTERNAL PLATE               |         |
| 13   |           | PLATE FOR HOOD LIFT HANDLE   |         |
| 14   | 9136.0705 | SPRING (*)                   |         |
| 15   | 9136.1753 | HOOK M8x120                  |         |
| 16   | 9136.2877 | HOOD LIFT HANDLE SUPPORT     |         |
| 17   | 9136.2925 | BUSHING FOR HOOD LIFT HANDLE |         |
| 18   | 9136.2498 | LOCK FOR CONNECTING ROD      |         |
| 19   | 9136.0712 | SLEEVE BEARING               |         |
| 20   | 9136.0713 | SPRING ROLLER                |         |
| 21   | 9136.2497 | PLATE FOR CONNECTING ROD     |         |
| 22   | 9136.2626 | ADJUSTABLE FEET              |         |
| 23   | 9136.2997 | BASKET FRAME CPL.            |         |
| 24   | 9136.0206 | PG21 CABLE CLAMP             |         |
| 25   | 9136.2939 | TANK FILTER                  |         |
| 26   | 9136.2896 | ADHESIVE LABEL               |         |
| 27   | 9136.2955 | CONNECTOR CABLE DISPLAY-MAIN |         |
| 28   | 9136.2900 | DISPLAY (*)                  |         |
| 29   | 9136.3162 | SPACER                       |         |
| 30   | 9136.1086 | M3 SPACER                    |         |



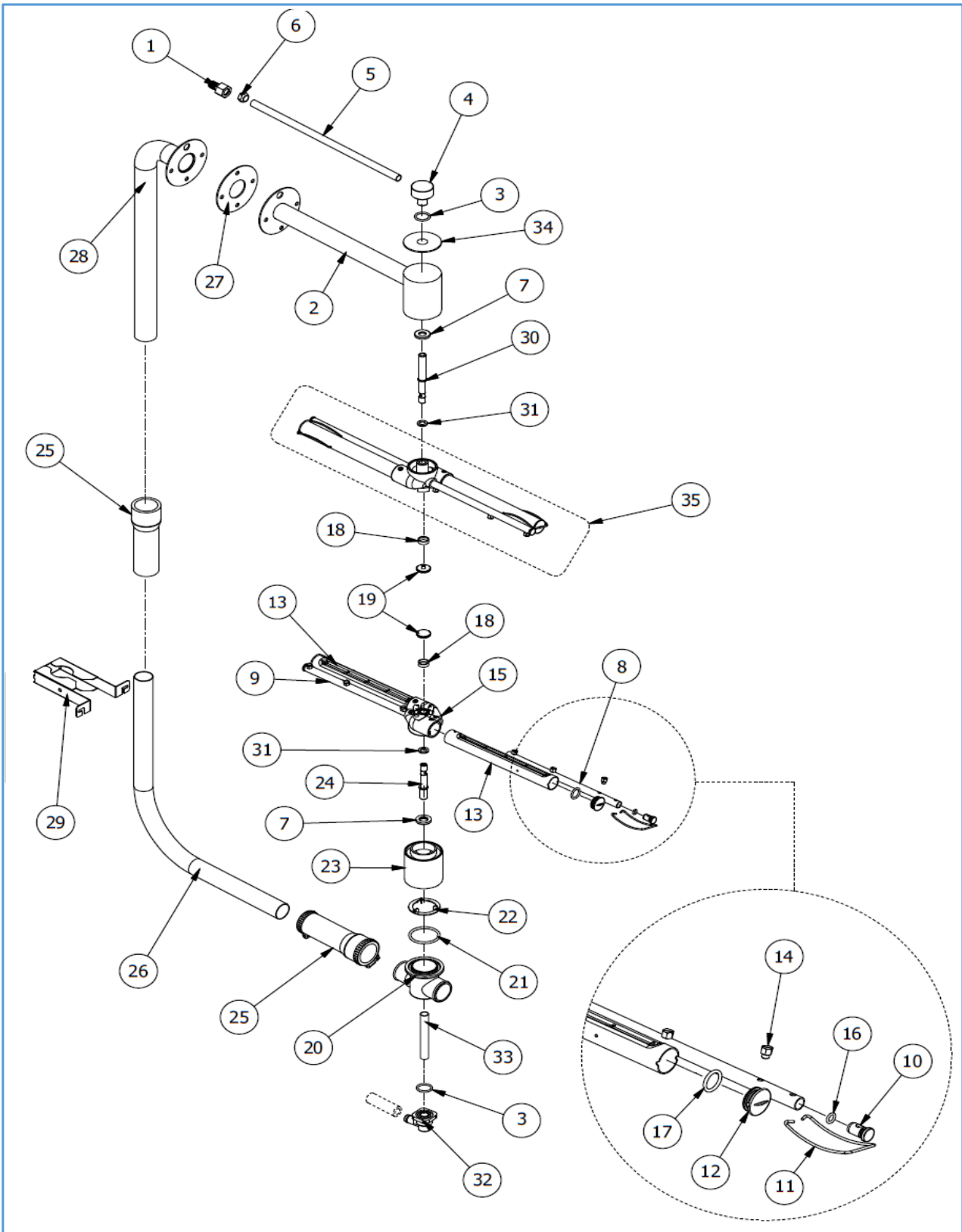
## Onderdelenlijst 7280.0050

| POS: | Art.No.:  | Omschrijving:                            | Aantal: |
|------|-----------|--|---------|
| 1    |           | EPDM BLACK HOSE DIAM. mm. 5x11           |         |
| 2    | 9136.0193 | SINGLE SOLENOID VALVE 230V 50Hz (*)      |         |
| 3    |           | ADJUSTABLE RINSE-AID DISPENSER (*)       |         |
| 4    | 9136.2869 | DISPENSERS SUPPORT (SHEET METAL ONLY)    |         |
| 5    | 9136.2899 | ELECTRONIC CARDBOARD (*)                 |         |
| 6    | 9998.5876 | O-RING FOR BOILER FLANGE (*)             |         |
| 7    | 9136.1314 | MANUAL RESET SAFETY THERMOSTAT 100°C (*) |         |
| 8    | 9136.2630 | 230V 6000W BOILER HEATING ELEMENT        |         |
| 9    | 9136.0785 | 5G2.5 POWER CORD SUPPLY (THREE PHASE)    |         |
| 9A   | 9136.0533 | 3G4 POWER CORD SUPPLY (SINGLE PHASE)     |         |
| 10   | 9136.2947 | COVER FOR WIRING METAL BOX               |         |
| 11   | 9136.2706 | PROX. MAGNETIC MICROSWITCH (*)           |         |
| 12   | 9136.2938 | 230V 2800W HEATING ELEMENT (*)           |         |
| 13   |           | RIGID SNAP CABLE BUSHING d. 50 mm.       |         |
| 14   | 9136.1042 | AIR TRAP (*)                             |         |
| 15   | 9136.1043 | AIR TRAP NUT                             |         |
| 16   | 9136.0816 | O-RING 4081                              |         |
| 17   | 9136.0815 | BRASS PIPE                               |         |
| 18   | 9136.0192 | D. 21.6-20.6 WIRE CLAMP                  |         |
| 19   | 9136.0260 | O-RING 112                               |         |
| 20   | 9136.0162 | M10x1 BRASS NUT                          |         |
| 21   | 9136.3094 | PRESSOSTAT LEVEL 125/45 (*)              |         |
| 22   | 9136.1147 | 230V 50-60HZ 25A CONTACTOR (*)           |         |
| 23   | 9136.1389 | 230V 50-60HZ 20A CONTACTOR (*)           |         |
| 24   | 9136.0787 | 0,47 µF INTERFERENCE SUPPRESSOR          |         |
| 25   | 9136.3740 | P.C.B. SPACER                            |         |
| 26   | 9136.2867 | WIRING METAL BOX (SHEET METAL ONLY)      |         |
| 27   | 9136.0814 | ANTI-CONDENSATION PIPE FITTING           |         |
| 28   | 9136.0652 | EPDM HOSE BLACK D. mm. 5x10              |         |
| 29   | 9136.1075 | MANUAL RESET SAFETY THERMOSTAT 95°C (*)  |         |
| 30   | 9136.0190 | D. 15.9-14.8 WIRE CLAMP                  |         |
| 31   | 9136.2968 | TEMPERATURE PROBE ASSY (*)               |         |
| 32   |           | TERMINAL BOARD FV122- 40A- 450V          |         |



## Onderdelenlijst 7280.0050

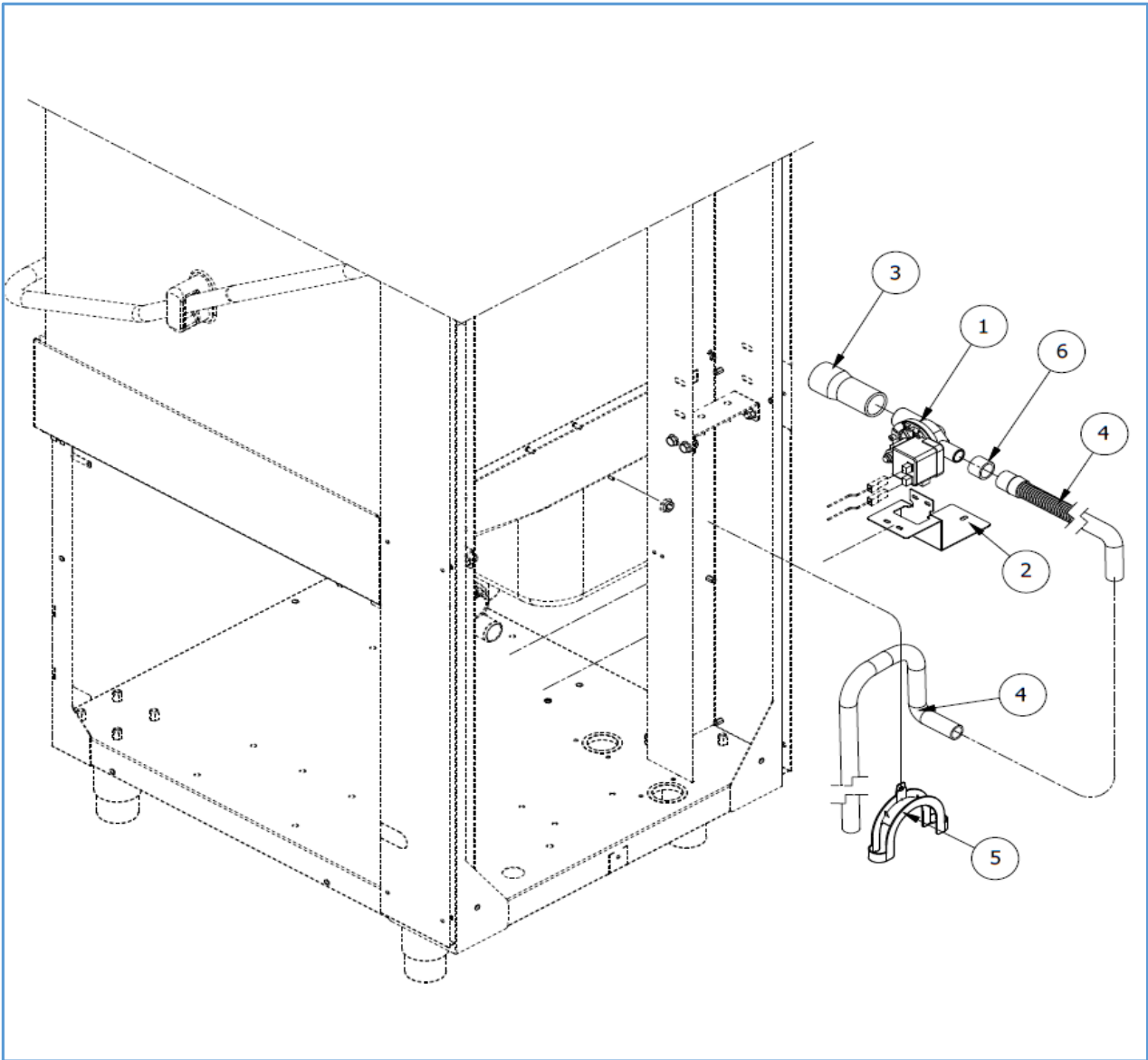
| POS: | Art.No.:  | Omschrijving:                        | Aantal: |
|------|-----------|--------------------------------------|---------|
| 1    | 9136.2983 | WASHING PUMP 0,75 Kw 230V~50HZ       |         |
| 1A   |           | WASHING PUMP 0,75 Kw 230V~60HZ       |         |
| 2    | 9136.2971 | INTAKE RUBBER COUPLING               |         |
| 3    |           | 8lt. BOILER ASSY                     |         |
| 4    | 9136.0614 | DRAIN HOSE Int. D. mm28, L= 2000 mm. |         |
| 5    | 9136.0121 | O-RING 115 (*)                       |         |
| 6    | 9136.0130 | 5/8 " PTFE BALL (*)                  |         |
| 7    | 9136.0795 | NOT RETOURN VALVE RING NUT           |         |
| 8    | 9136.3108 | NOT RETOURN VALVE PLASTIC COVER      |         |
| 9    | 9136.0794 | NOT RETOURN VALVE BODY               |         |
| 10   | 9136.0837 | RUBBER GASKET                        |         |
| 11   | 9136.1088 | 3-WAYS DISTRIBUTOR                   |         |
| 12   | 9136.3173 | TANK PLASTIC FILTER                  |         |
| 13   | 9136.3174 | PLASTIC FILTER SUPPORT               |         |
| 14   | 9136.3175 | FILTER GROUP DRAIN CUP               |         |
| 15   | 9136.0142 | RUBBER GASKET                        |         |
| 16   | 9136.0141 | DRAIN SCREW                          |         |
| 17   | 9136.3179 | GASKET DE 150 (*)                    |         |
| 18   | 9136.2995 | O-RING 4500 (*)                      |         |
| 19   | 9136.2973 | WASH PIPE RUBBER COUPLING            |         |
| 20   | 9136.3177 | OVERFLOW                             |         |
| 21   | 9136.1610 | D. mm. 11,5X19 RUBBER HOSE (*)       |         |
| 22   | 9136.3176 | MACHINE DRAIN                        |         |
| 23   | 9136.2998 | BOILER INSULATION BAND               |         |
| 24   | 9136.0160 | WATER SUPPLY HOSE L=2000mm.          |         |
| 25   | 9136.0674 | PLASTIC LOCK NUT                     |         |
| 26   | 9136.0691 | PRESSURE CONNECTION                  |         |
| 27   | 9136.0187 | BOOSTER PUMP 230V 50Hz (OPT)         |         |
| 27A  | 9136.1327 | BOOSTER PUMP 230V 60Hz (OPT)         |         |
| 28   | 9136.2118 | 3/8" G x30 BRASS CONNECTION          |         |
| 29   | 9136.1131 | 90° M/F ELBOW                        |         |
| 30   | 9136.0494 | 3/8"G-D.12 mm. BRASS FITTING         |         |
| 31   | 9136.2970 | WASHING PUMP SUPPORT                 |         |





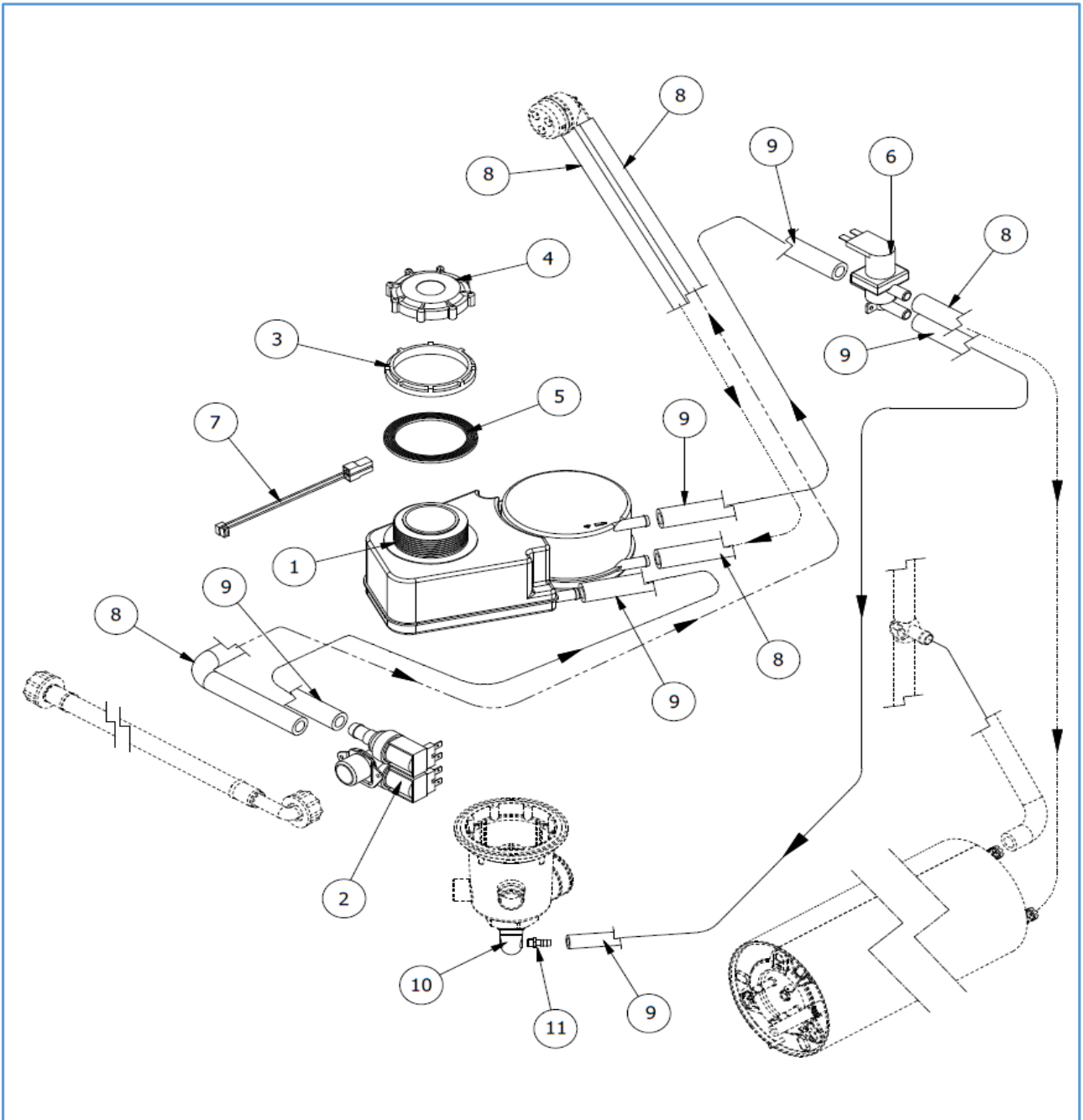
## Onderdelenlijst 7280.0050

| POS: | Art.No.:  | Omschrijving:                    | Aantal: |
|------|-----------|----------------------------------|---------|
| 1    |           | S/S TENSIONER CONNECTION         |         |
| 2    | 9136.2874 | WASHING PIPE ASSY                |         |
| 3    | 9136.0101 | O-RING 128                       |         |
| 4    | 9136.2875 | 90° UNION ELBOW                  |         |
| 5    | 9136.2873 | UPPER RINSE PIPE                 |         |
| 6    | 9136.0905 | NUT M12x1                        |         |
| 7    | 9136.1242 | SUPPORTING WASHER                |         |
| 8    |           | RIGHT RINSE PIPE SEGMENT         |         |
| 9    |           | LEFT RINSE PIPE SEGMENT          |         |
| 10   | 9136.0690 | RINSE PLASTIC PLUG (*)           |         |
| 11   | 9136.0743 | LEAF SPRING                      |         |
| 12   | 9136.0741 | WASHING ARMS PLASTIC PLUG (*)    |         |
| 13   |           | WASHING ARMS PIPE SEGMENT        |         |
| 14   | 9136.3172 | STAINLESS STEEL RINSE NOZZLE M6  |         |
| 15   | 9136.0580 | 4RP DISTRIBUTOR (*)              |         |
| 16   | 9136.0700 | O-RING 106                       |         |
| 17   | 9136.0112 | O-RING 121                       |         |
| 18   | 9136.0796 | PTFE RING (*)                    |         |
| 19   | 9136.0451 | STAINLESS STEEL KNURLED SCREW(*) |         |
| 20   | 9136.0605 | LOWER CONNECTING ROD             |         |
| 21   | 9136.0525 | O-RING 147                       |         |
| 22   | 9136.2933 | CENTERING RING                   |         |
| 23   | 9136.2876 | CYLINDER FOR WASH ARMS           |         |
| 24   | 9136.0608 | WASHING ARMS FULCRUM             |         |
| 25   | 9136.0835 | COUPLING                         |         |
| 26   | 9136.2931 | WASHING PIPE                     |         |
| 27   | 9136.2504 | GASKET FOR WASHING FLANGE        |         |
| 28   | 9136.2503 | UPPER WASHING PIPE ASSY          |         |
| 29   | 9136.2999 | WASHING PIPE SUPPORT             |         |
| 30   | 9136.0540 | WASHING ARMS FULCRUM             |         |
| 31   | 9136.0463 | WASHING ARMS WASHER (*)          |         |
| 32   | 9136.2422 | 90° PLASTIC CONNECTION M13x1     |         |
| 33   | 9136.2460 | STAINLESS STEEL CONNECTION ROD   |         |
| 34   | 9136.2872 | CLOSING DISC FOR CYLINDER        |         |
| 35   |           | WASHING ARMS ASSY                |         |



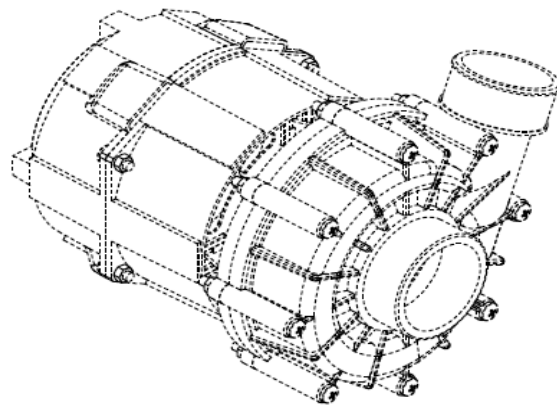
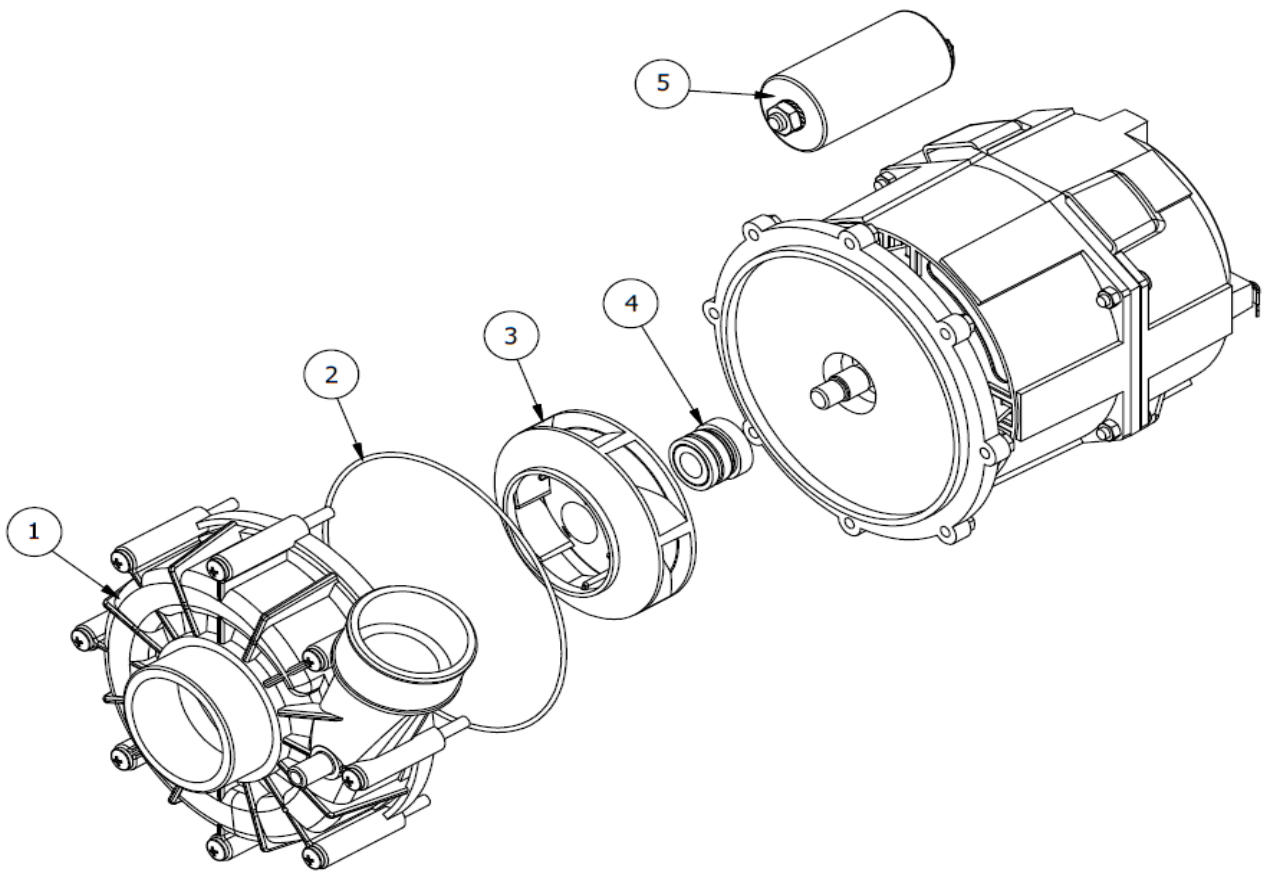
## Onderdelenlijst 7280.0050

| POS: | Art.No.:  | Omschrijving:             | Aantal: |
|------|-----------|---------------------------|---------|
| 1    | 9136.0186 | DRAIN PUMP 230V 50Hz(*)   |         |
| 1A   |           | DRAIN PUMP 220V 60Hz(*)   |         |
| 2    | 9136.2924 | DRAIN PUMP SUPPORT        |         |
| 3    | 9136.0470 | RUBBER COUPLING L= 75 mm. |         |
| 4    |           | DRAIN HOSE L= 2500mm.     |         |
| 5    |           | DRAIN HOSE SUPPORT        |         |



## Onderdelenlijst 7280.0050

| POS: | Art.No.:  | Omschrijving:                           | Aantal: |
|------|-----------|---|---------|
| 1    |           | AUTOMATIC WATER SOFTNER                 |         |
| 2    | 9136.2147 | DOUBLE SOLENOID VALVE 90° 230V D.A. (*) |         |
| 3    | 9136.0458 | WATER SOFTNER RING NUT                  |         |
| 4    | 9136.0457 | SALT CONTAINER PLUG                     |         |
| 5    | 9136.1622 | GASKET                                  |         |
| 6    |           | SOLENOID VALVE DOUBLE EXIT (*)          |         |
| 7    |           | WATER SOFTNER CONNECTIONE CABLE         |         |
| 8    | 9136.1610 | D. mm. 11,5X19 RUBBER HOSE (*)          |         |
| 9    |           | D. mm.10x17 BLACK RUBBER HOSE           |         |
| 10   |           | MACHINE DRAIN                           |         |
| 11   |           | STAINLESS STEEL FITTING 1/4"            |         |

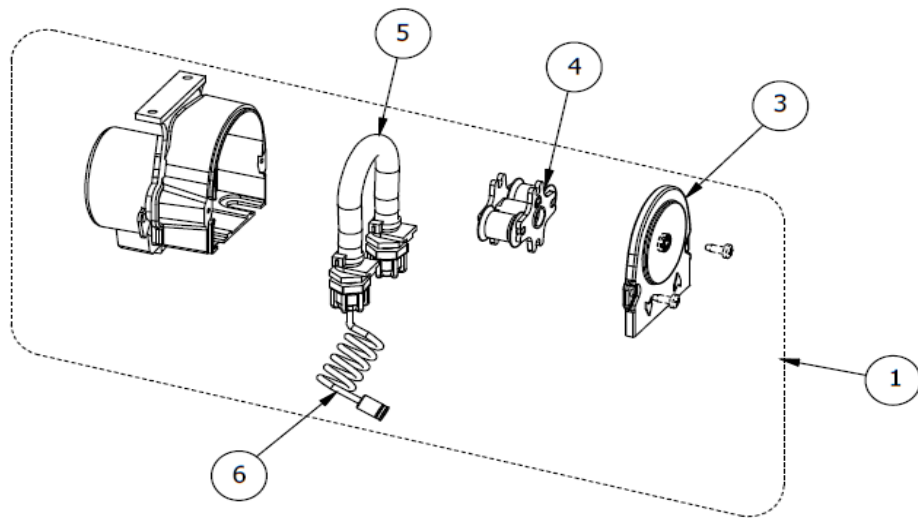


COD. 00015237 (230V 50Hz)  
COD. 00016655 (230V 60Hz)

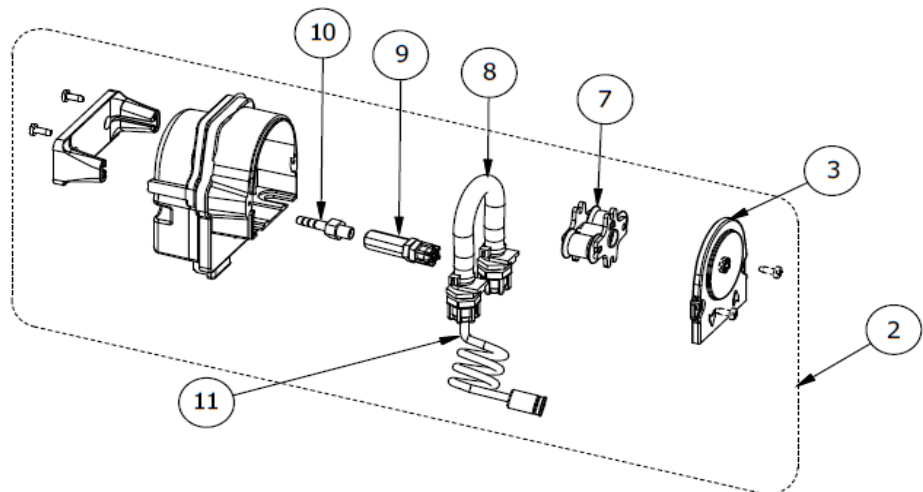
## Onderdelenlijst 7280.0050

| POS: | Art.No.:  | Omschrijving:          | Aantal: |
|------|-----------|------------------------|---------|
| 1    |           | PUMP PLASTIC BODY      |         |
| 2    |           | GASKET                 |         |
| 3    |           | IMPELLER               |         |
| 4    | 9136.2907 | MECHANICAL SEAL ASSY   |         |
| 5    |           | CAPACITOR 12,5 $\mu$ F |         |

DOS. DETERSIVO FISSO  
FIX DETERGENT DISPENSER



DOS. BRILLANTANTE REGOLABILE  
RINSE-AID DISPENSER ADJUSTABLE





## Onderdelenlijst 7280.0050

| POS: | Art.No.:  | Omschrijving:                            | Aantal: |
|------|-----------|--|---------|
| 1    | 9136.3105 | FIXED DETERGENT DISPENDER 3Lt/h          |         |
| 2    | 9136.3106 | ADJUSTABLE RINSE-AID DISPENDER 0-0,5Lt/h |         |
| 3    |           | COVER ASSY                               |         |
| 4    | 9136.1783 | DETERG. DISPENS. ROLL HOLDERS ASSY (*)   |         |
| 5    | 9136.3167 | INTERNAL DETERG. DISPENSER HOSE (*)      |         |
| 6    | 9136.1361 | DETERG. DISPENS. FILTER ASSY WITH HOSE   |         |
| 7    |           | RINSE-AID DISPENS. ROLL HOLDERS ASSY (*) |         |
| 8    | 9136.3168 | INTERNAL RINSE-AID DISPENSER HOSE (*)    |         |
| 9    | 9136.1750 | NOT RETURN VALVE FOR RINSE-AID DISP.(*)  |         |
| 10   |           | 1/8" STAINLESS STEEL HOSE NIPPLE         |         |
| 11   | 9136.1362 | RINSE-AID DISPENS. FILTER ASSY WITH HOSE |         |