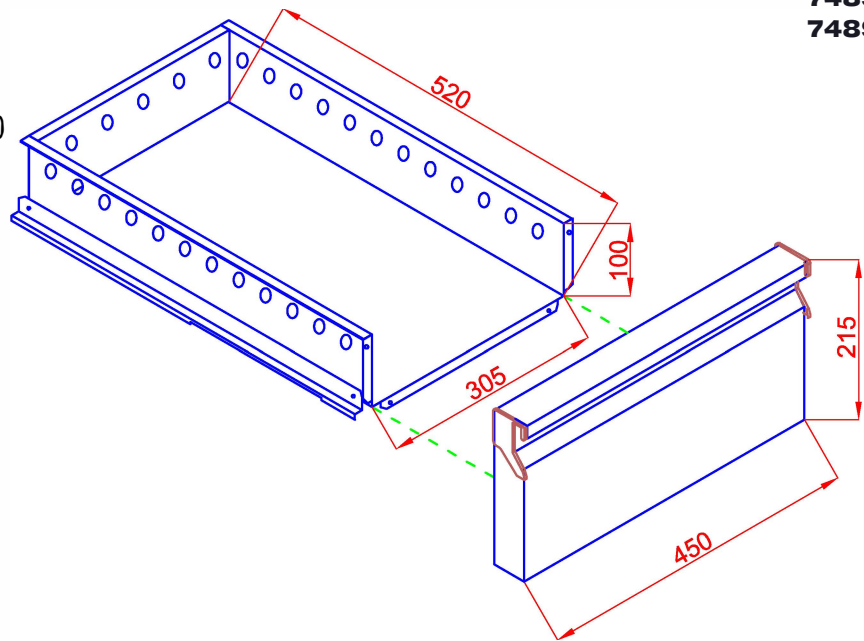


1/2 DRAWERS  
OUTSIDE DIMENSIONS = 450x600x215  
INSIDE DIMENSIONS = 305x520x100  
USEFULL INSIDE DIMENSIONS = 305x520x120



1/1 DRAWERS  
OUTSIDE DIMENSIONS = 450x600x445  
INSIDE DIMENSIONS = 305x520x210  
USEFULL INSIDE DIMENSIONS = 305x520x335

