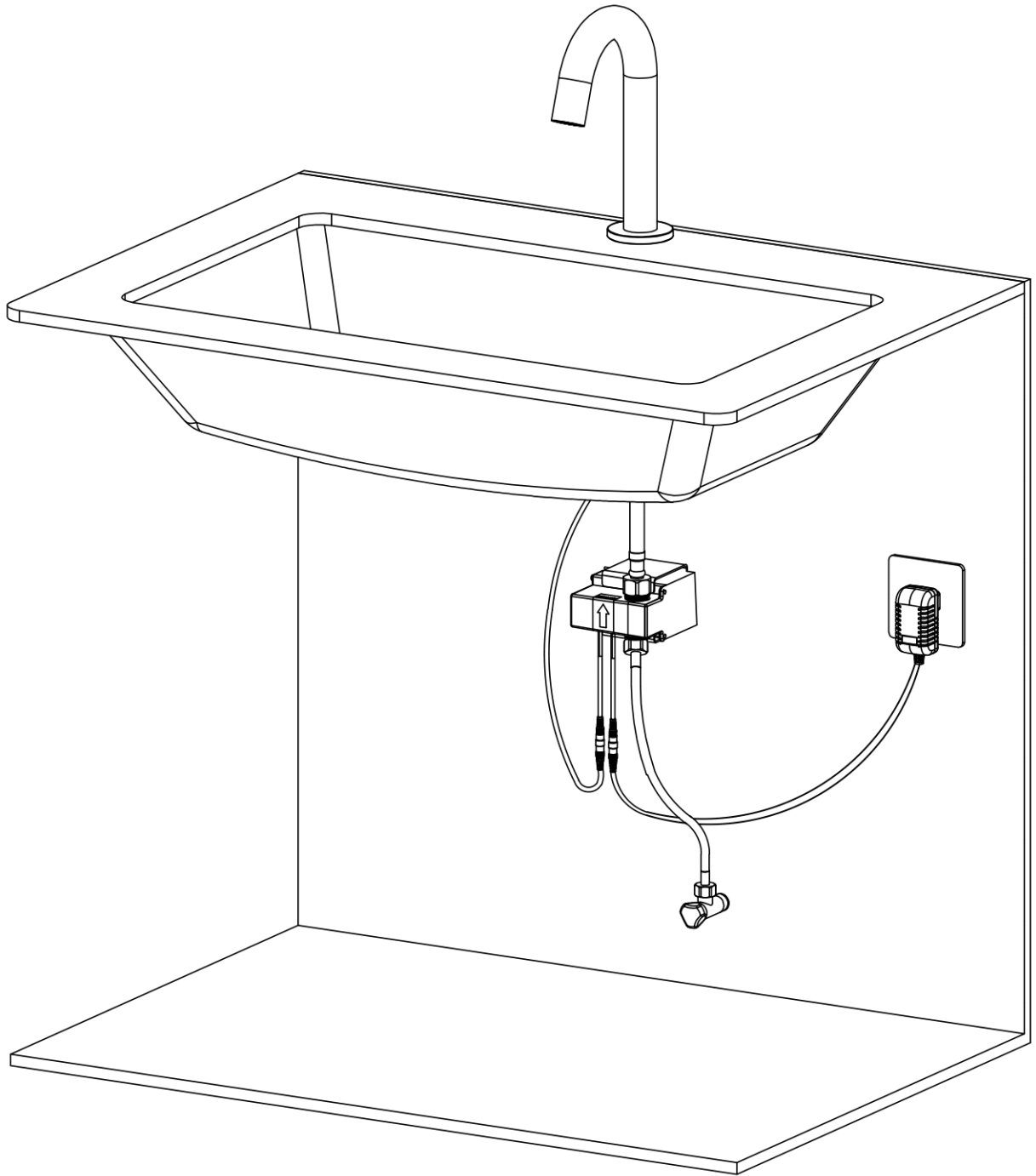


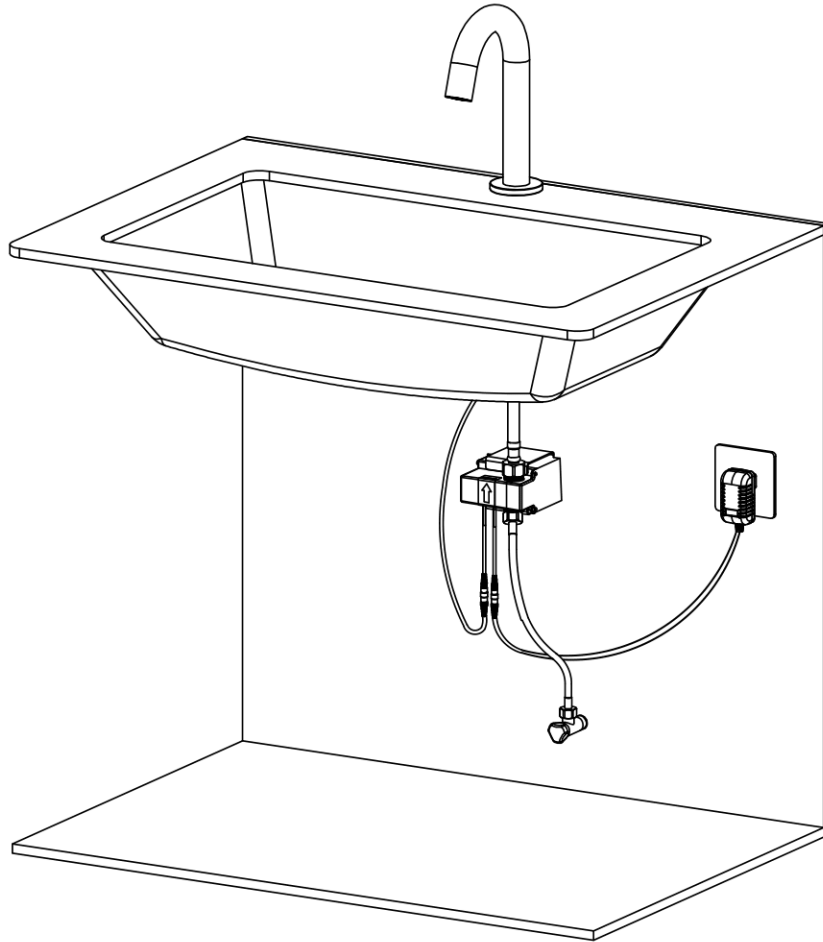
Sensor Faucet Installation and Use Manual



7536.0010

CombiSteel

sensor faucet installation



● List of Tools

Phillips screwdriver

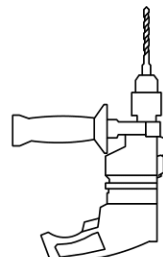
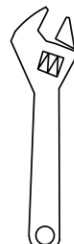
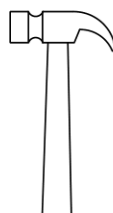
Flathead screwdriver

Utility knife

Hammer

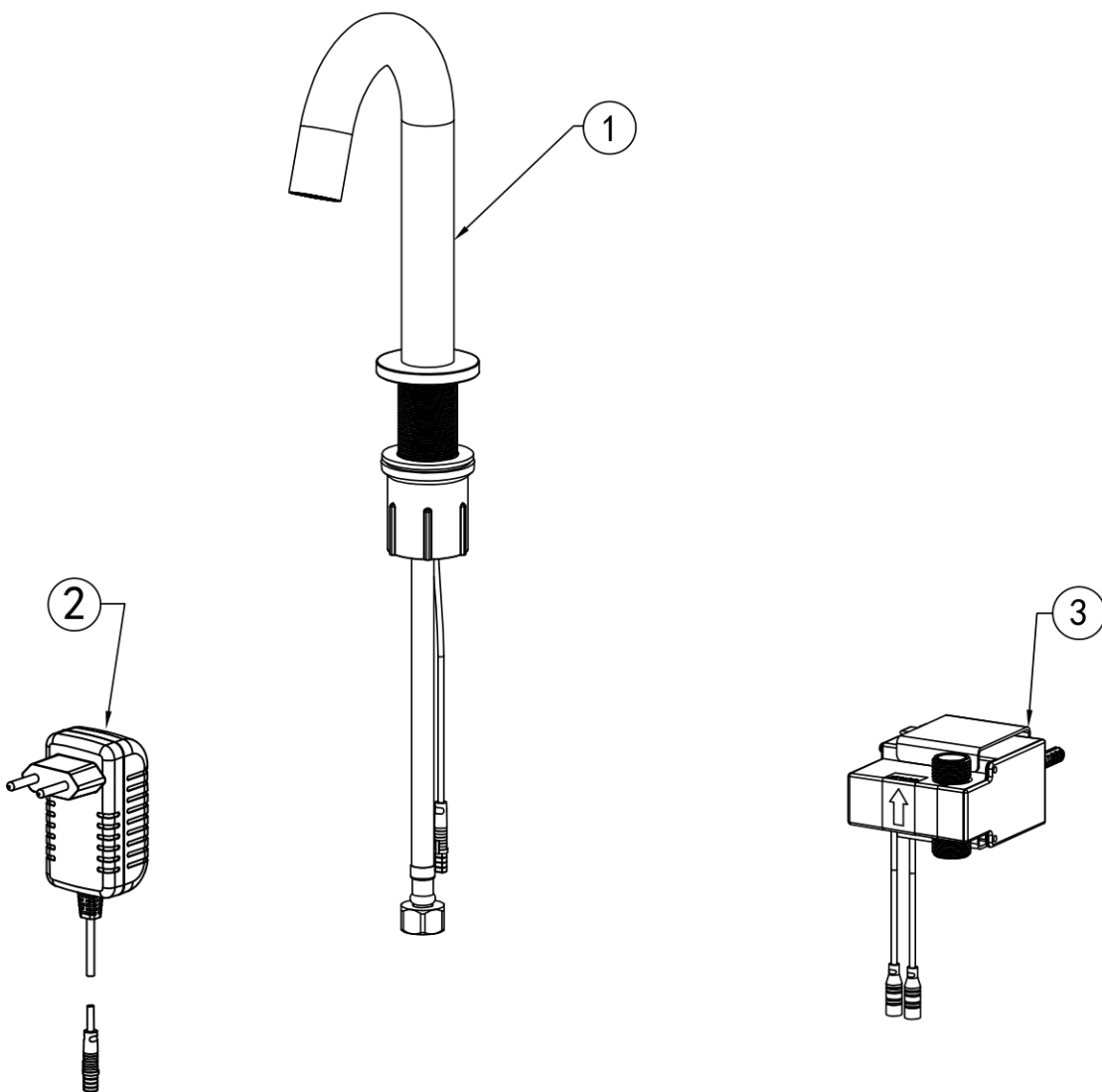
Adjustable wrench

Impact drill



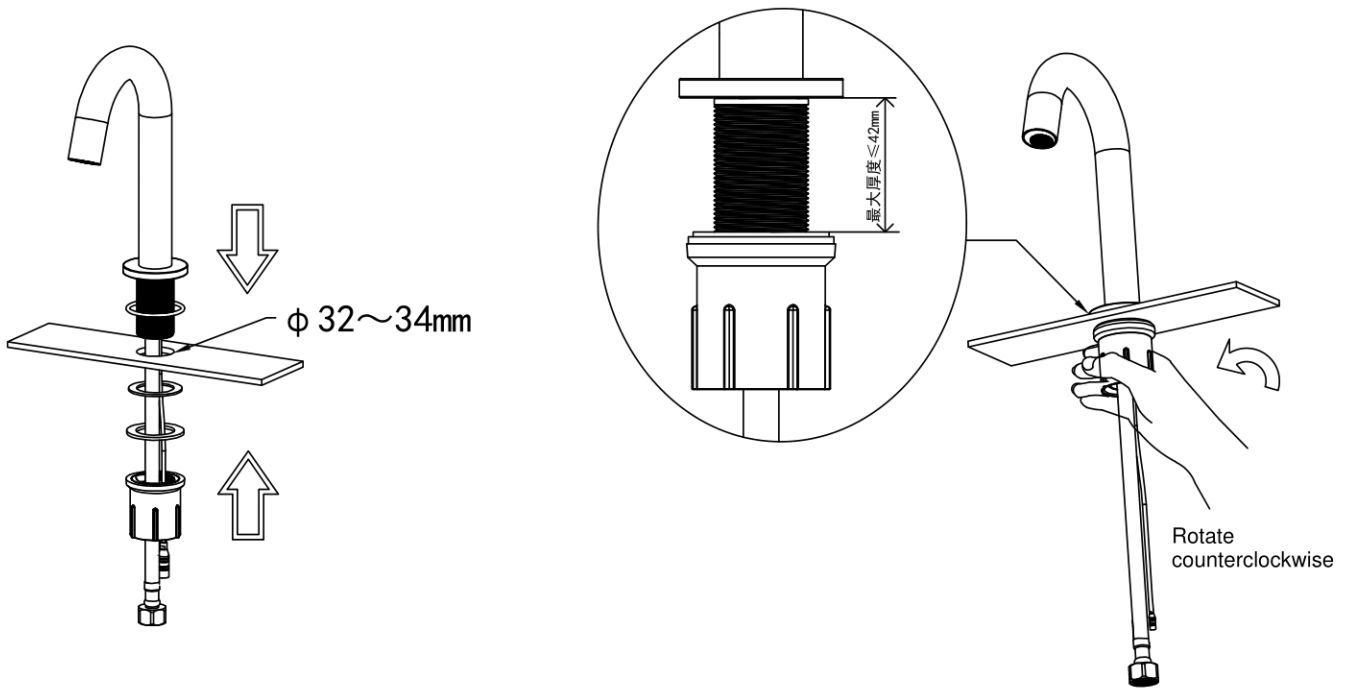
●Preparation of Product Accessories

- ①Single infrared sensor
- ②Adapter (AC power version)
- ③Solenoid valve assembly



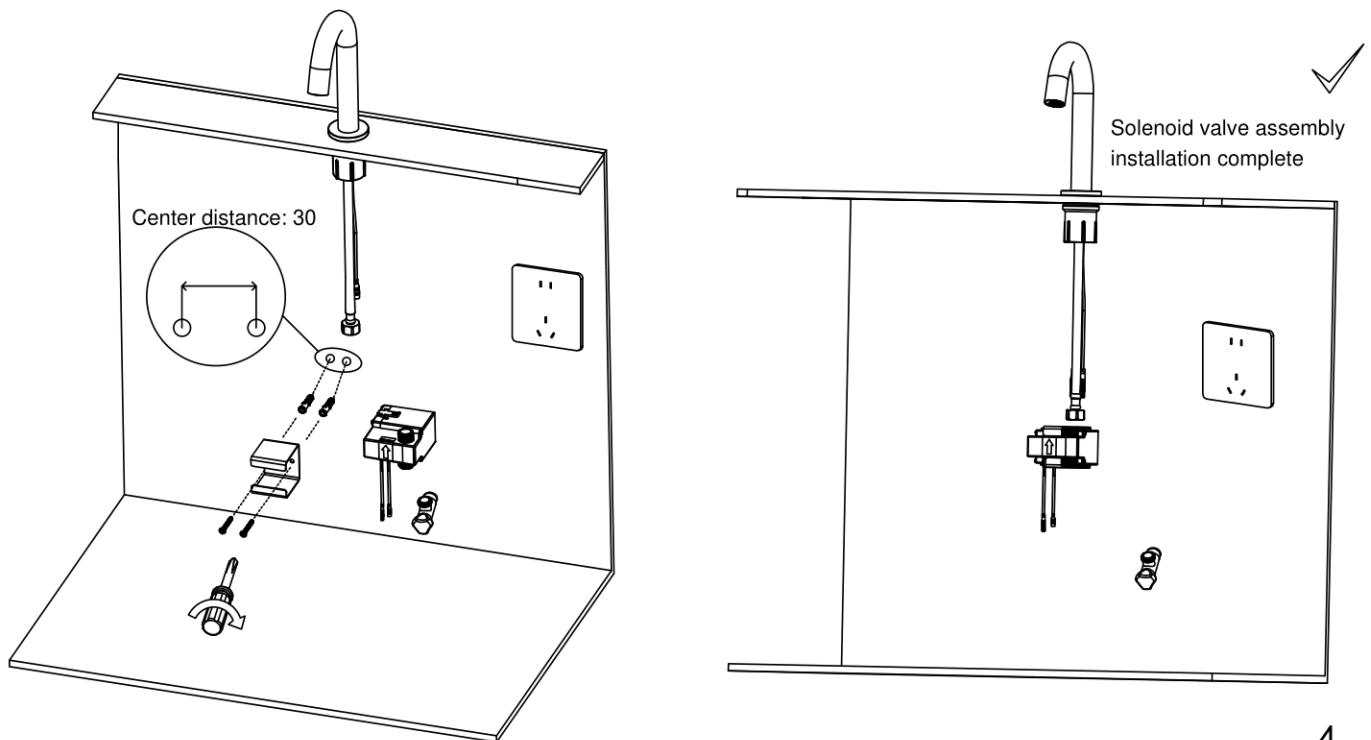
● Installation Process

1. Fixing the faucet: Install the faucet onto the countertop and tighten the nut underneath.



2. Fixing the solenoid valve assembly:

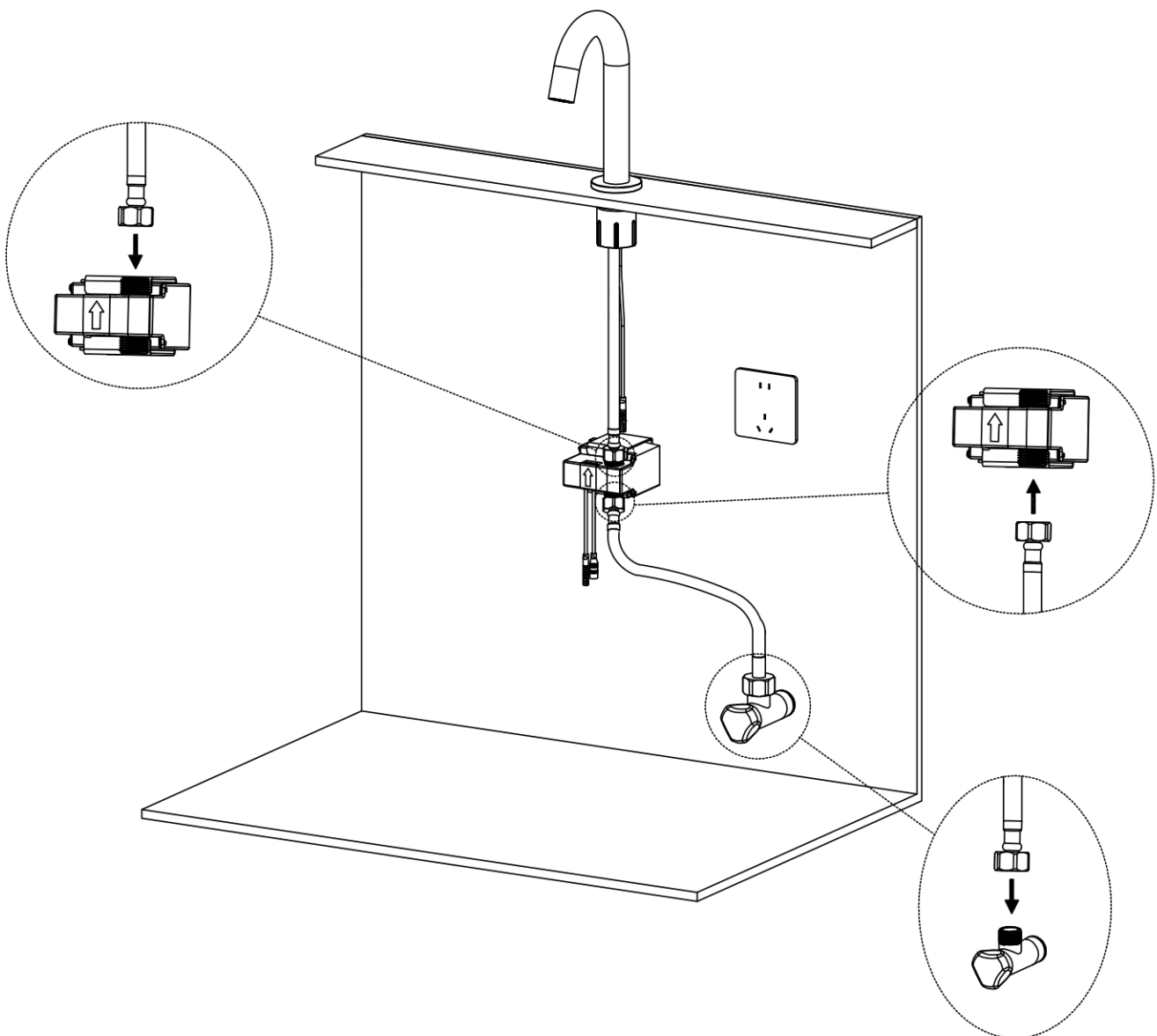
-Secure the solenoid valve assembly to the wall at an appropriate position using self-tapping screws.



● Installation Process

3. Connecting Water Pipe:

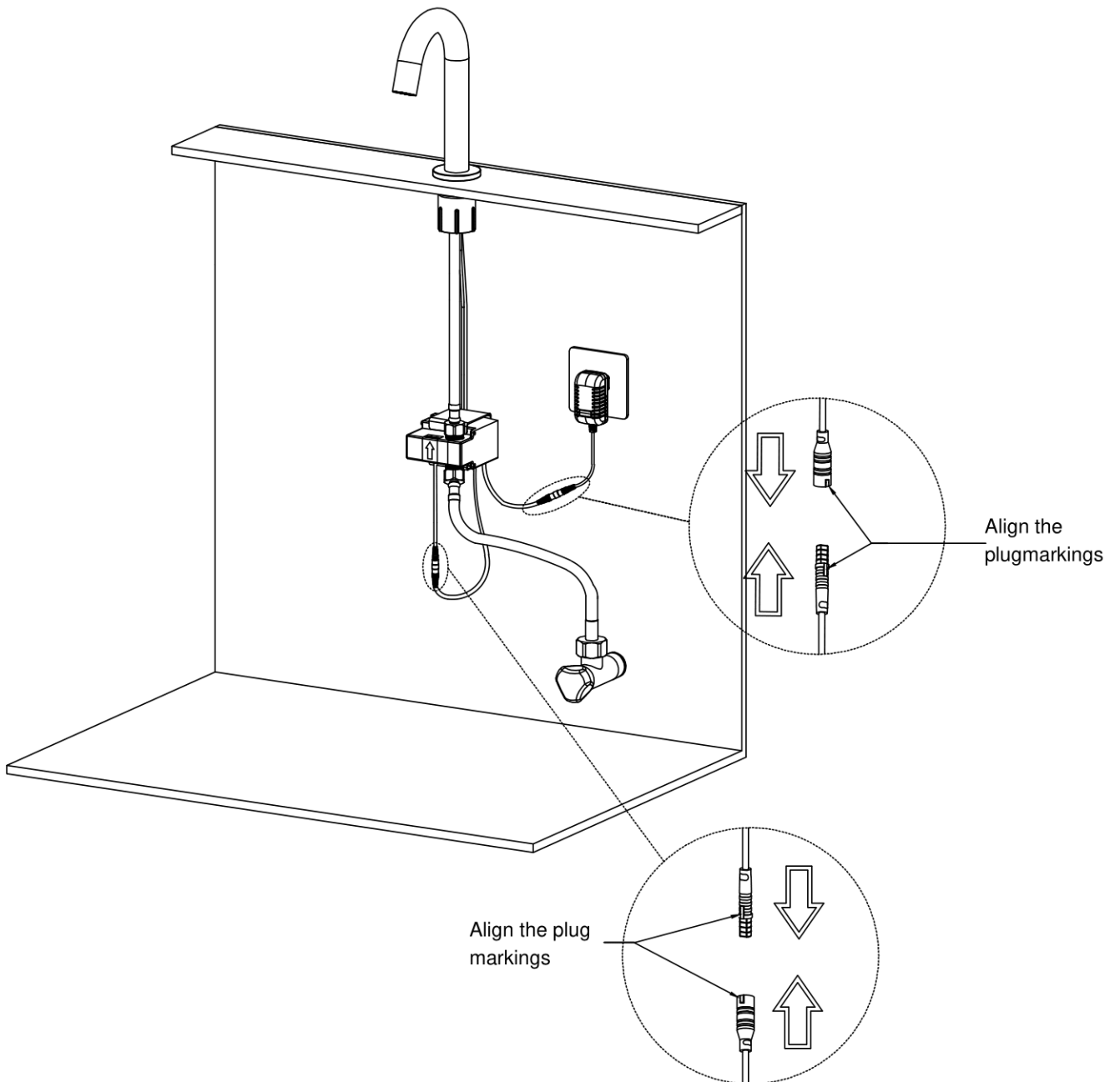
- Connect the inlet hose of the faucet body to the upper interface labeled "↑" on the solenoid valve assembly.
- Connect the lower interface labeled "↑" on the solenoid valve assembly to the flexible water hose and angle valve.
- Check for any water leaks in the plumbing system by turning on the water.
- If there are any leaks, promptly address and resolve them.



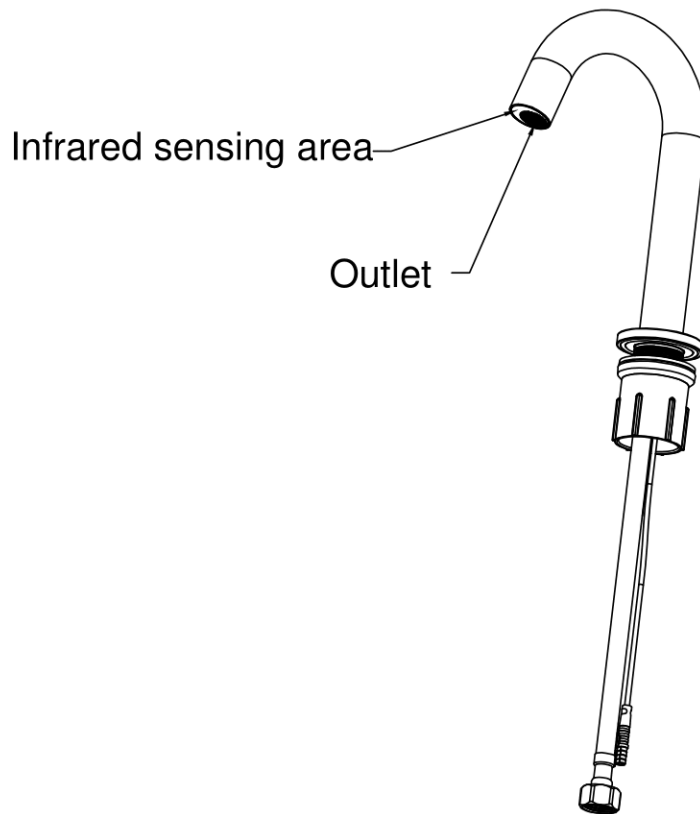
● Installation Process

4.AC Power Version Wiring:

- Connect the black 2-core wire from the faucet body to the black 2-core wire of the solenoid valve assembly.
- Connect the red 2-core wire from the faucet body to the red 2-core wire of the power supply.



sensor faucet user manual



●Single Infrared Sensor Faucet instructions for Use

Move your hand within a proximity of the sensor head ($\leq 8\text{cm}$) to activate water flow. After removing your hand for 1 second, the water flow will stop.

