



# Refrigerated & Hot Buffets

User Manual



**Models:**

7078.0005 – 7078.0010 – 7078.0015 – 7078.0025 – 7078.0030 – 7078.0035

## CONTENT



|   |    |
|---|----|
| .....   | 4  |
| 1. INTRODUCTION.....  | 4  |
| 2. TECHNICAL TABLES.....                                      | 4  |
| 3. GENERAL SETUP - CONTROL PANEL.....                         | 5  |
| 4. CARRYING & MOVING - SAFETY WARNING LABELS.....             | 6  |
| 5. SAFETY WARNING LABELS.....                                 | 6  |
| 6. SAFETY INSTRUCTIONS AND STANDARDS.....                     | 6  |
| 7. SAMPLE DEVICE STICKER.....                                 | 7  |
| 8. ELECTRICAL CONNECTION - ASSEMBLY AND USE INSTRUCTIONS..... | 7  |
| 9. ASSEMBLY.....  | 7  |
| 10. USE INSTRUCTIONS.....                                     | 7  |
| 11. CLEANING.....   | 8  |
| 12. MAINTENANCE.....  | 8  |
| 13. ELECTRICAL CIRCUIT DIAGRAM.....                           | 9  |
| 14. WARRANTY - COVERAGE AND EXCLUSIONS.....                   | 10 |



|  |    |
|--|----|
| .....  | 11 |
| 1. INLEIDING.....  | 11 |
| 2. TECHNISCHE TABELLEN.....  | 11 |
| 3. ALGEMENE INSTALLATIE - BEDIENINGSPANEEL.....                      | 12 |
| 4. DRAGEN & VERPLAATSEN - VEILIGHEIDSWAARSCHUWINGSLABELS.....        | 13 |
| 5. VEILIGHEIDSWAARSCHUWINGSLABELS.....                               | 13 |
| 6. VEILIGHEIDSinSTRUCTIES EN NORMEN.....                             | 13 |
| 7. VOORBEELD APPARAATSTICKER.....                                    | 14 |
| 8. ELEKTRISCHE AANSLUITING – INSTALLATIE- EN GEBRUIKSAANWIJZING..... | 14 |
| 9. INSTALLATIE.....  | 14 |
| 10. GEBRUIKSINSTRUCTIES.....   | 14 |
| 11. REINIGING.....   | 15 |
| 12. ONDERHOUD.....   | 15 |
| 13. ELEKTRISCH SCHAKELSCHEMA.....                                    | 16 |
| 14. GARANTIE - DEKKING EN UITSLUITINGEN.....                         | 18 |



|   |    |
|---|----|
| .....   | 19 |
| 1. EINLEITUNG .....   | 19 |
| 2. TECHNISCHE TABELLEN .....                                      | 19 |
| 3. ALLGEMEINE EINRICHTUNG - BEDIENFELD.....                       | 20 |
| 4. TRAGEN & BEWEGEN - SICHERHEITSWARNSCHILDER .....               | 21 |
| 5. SICHERHEITSWARNSCHILDER .....                                  | 21 |
| 6. SICHERHEITSHINWEISE UND NORMEN.....                            | 21 |
| 7. MUSTER GERÄTEAUFKLEBER .....                                   | 22 |
| 8. ELEKTRISCHER ANSCHLUSS - MONTAGE- UND GEBRAUCHSANWEISUNG ..... | 22 |
| 9. MONTAGE .....  | 22 |
| 10. GEBRAUCHSANWEISUNG .....                                      | 22 |
| 11. REINIGUNG .....   | 23 |
| 12. WARTUNG.....  | 24 |
| 13. ELEKTRISCHER SCHALTPLAN .....                                 | 24 |
| 14. GARANTIE - DECKUNG UND AUSSCHLÜSSE .....                      | 26 |



|  |    |
|--|----|
| .....  | 27 |
| 1. INTRODUCTION.....   | 27 |
| 2. TABLEAUX TECHNIQUES.....  | 27 |
| 3. CONFIGURATION GÉNÉRALE - PANNEAU DE CONTRÔLE .....                      | 28 |
| 4. TRANSPORT ET DÉPLACEMENT - ÉTIQUETTES D'AVERTISSEMENT DE SÉCURITÉ ..... | 29 |
| 5. ÉTIQUETTES D'AVERTISSEMENT DE SÉCURITÉ.....                             | 29 |
| 6. INSTRUCTIONS ET NORMES DE SÉCURITÉ .....                                | 29 |
| 7. SAMPLE DEVICE STICKER .....   | 30 |
| 8. CONNEXION ÉLECTRIQUE - INSTRUCTIONS DE MONTAGE ET D'UTILISATION .....   | 30 |
| 9. ASSEMBLAGE .....  | 30 |
| 10. INSTRUCTIONS D'UTILISATION.....  | 30 |
| 11. NETTOYAGE .....  | 31 |
| 12. MAINTENANCE .....  | 32 |
| 13. SCHÉMA DU CIRCUIT ÉLECTRIQUE.....                                      | 32 |
| 14. GARANTIE - COUVERTURE ET EXCLUSIONS.....                               | 34 |



**THIS DEVICE MAY BE SET UP AND USED ONLY IN ACCORDANCE WITH LOCAL LAWS AND ACCORDING TO FOOD SAFETY REGULATIONS. THIS MANUAL HAS TO BE READ CAREFULLY BEFORE THE DEVICE IS SET UP AND USED.**

## 1. INTRODUCTION

- This device, Cold/Hot Buffet Server, is used in service venues such as Restaurants, Cafes, Bars, Fast-food establishments, Hotel, Hospital and other public institutions etc. in order to preserve food cold and display in a buffet setting.
- Do not use this device for any other purpose.
- The manual which states the information necessary for the assembly, use and maintenance of this device must be read carefully. Please ensure that the electrical network, which will be used to power this device must be in place in accordance with local regulations by qualified personnel and it must also meet the criteria in our technical table.
- Before calling for technical service, we ask that the instructions in the manual are considered. If you have any questions in the assembly, use or maintenance of this device please call the technical service nearest to you.



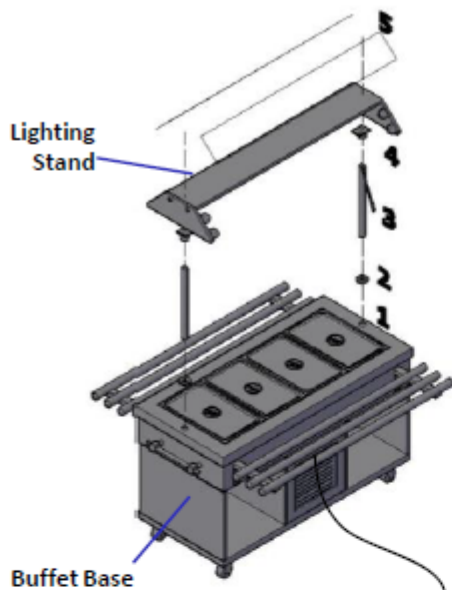
**In order to meet your expectations and maximize the benefit received from this product we remind you to read the product manual and make it available to any other users.**

## 2. TECHNICAL TABLES

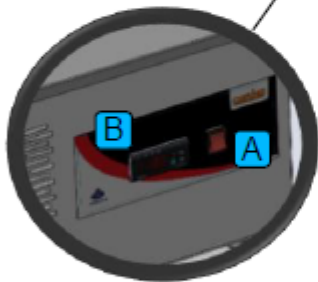
|                                | COLD BUFFET                   |                               |                               | HOT BUFFET                     |                                |                                |
|--------------------------------|-------------------------------|-------------------------------|-------------------------------|--------------------------------|--------------------------------|--------------------------------|
|                                | 7078.0005                     | 7078.0010                     | 7078.0015                     | 7078.0025                      | 7078.0030                      | 7078.0035                      |
| NET DIMENSIONS                 | 1200x700x<br>850/1350<br>mm   | 1500x700x<br>850/1350<br>mm   | 1900x700x<br>850/1350<br>mm   | 1200x700x<br>850/1350<br>mm    | 1500x700x<br>850/1350<br>mm    | 1900x700x<br>850/1350<br>mm    |
| TOTAL POWER POWER              | 510 W                         | 510 W                         | 510 W                         | 3000 W                         | 3000 W                         | 3000 W                         |
| INPUT VOLTAGE / FREQUENCY      | 220-230V /<br>50Hz            | 220-230V /<br>50Hz            | 220-230V /<br>50Hz            | 220-230V /<br>50Hz             | 220-230V /<br>50Hz             | 220-230V /<br>50Hz             |
| COOLING REFRIGERANT            | R290                          | R290                          | R290                          | -                              | -                              | -                              |
| IEEE ELECTRICAL CLASSIFICATION | 1                             | 1                             | 1                             | 1                              | 1                              | 1                              |
| IP PROTECTION                  | IP 21                         | IP 21                         | IP 21                         | IP 21                          | IP 21                          | IP 21                          |
| NET WEIGHT                     | 115 kg                        | 125 kg                        | 135 kg                        | 106 kg                         | 115 kg                         | 125 kg                         |
| FOOD TRAY CAPACITY             | 3x 1/1 GN<br>(65mm<br>height) | 4x 1/1 GN<br>(65mm<br>height) | 5x 1/1 GN<br>(65mm<br>height) | 3x 1/1 GN<br>(100mm<br>height) | 4x 1/1 GN<br>(100mm<br>height) | 5x 1/1 GN<br>(100mm<br>height) |



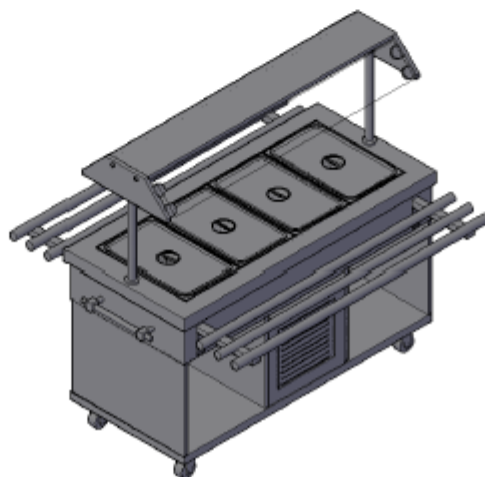
### 3. GENERAL SETUP - CONTROL PANEL



- 1 Mounting hole
- 2 Chrome Cap
- 3 Stainless Steel Post
- 4 Post Connection Adapter
- 5 Sneeze Guard Glass




- A On/Off Switch & Light Switch
- B Temperature Adjustment/ Digital Thermostat









#### 4. CARRYING & MOVING - SAFETY WARNING LABELS

|   |   |
|---|---|
|  | <p><b>Before moving the device, ensure that the power cable is unplugged from an electrical outlet.</b></p> |
|---|---|

- The fully assembled unit can be moved manually on its wheels. Ensure that the wheel brakes are not applied before moving the unit.
- Avoid moving on uneven surfaces, steep inclines where control may be lost. Also avoid bumping the device and steep inclines.

#### 5. SAFETY WARNING LABELS

| GROUND LOCATION   | ELECTRICAL CURRENT  | INPUT POWER INFO   | GENERAL WARNING INFO  |
|---|---|--|---|
|  |  |  |  |

#### ELECTRICAL CONNECTION VALUES

VOLTAGE: 220 - 240 V

NETWORK CONNECTION: SINGLE PHASE, GROUNDED

FREQUENCY: 50 Hz

#### 6. SAFETY INSTRUCTIONS AND STANDARDS

- All assembly should be done according to effective standards. The manufacturer does not take responsibility for malfunctions caused by faulty setup or use of the device.
- The following must be checked during assembly in accordance with local laws and regulations and instructions:
- Before connecting the device to power, ensure that the electrical network and outlet are compatible with the requirements of the device.
- Ensure the electrical connection is made according to proper standards. The manufacturer is not responsible for damage caused by faulty electrical connection.
- Do not leave flammable materials arounds the device.
- While working on or checking the device, ensure that the electrical switches are in the off position.
- If an electrical fault is detected, contact your local service provider.
- While checking for electrical fault do not touch or handle the device.
- Replace faulty components with original, factory approved spare parts. The manufacturer warranty covers only devices which have been serviced with original spare parts.
- If you detect any faults with the device, turn off the device, unplug the power cable and contact your local service provider.
- Ensure that the device is not used before proper repairs have been made.
- Repairs that have been carried out by individuals other than the authorized service technicians may cause damage to the device.
- All repairs must be carried out by authorized service technicians. Otherwise the device will lose factory warranty coverage.





**WARNING – COLD BUFFETS**  
**RISK OF FIRE OR EXPLOSION, FLAMMABLE REFRIGERANT USED.**  
**SERVICE AND REPAIRS MUST BE CARRIED OUT BY TRAINED**  
**SERVICE PERSONNEL**



**7. SAMPLE DEVICE STICKER**

|  |                                 |                        |    |
|--|---------------------------------|------------------------|----|
|  | Product Name                    | Cold Service Trolley   | TR |
|  | Model                           | SLD-311                |    |
|  | Dimension (mm)                  | 117X700X960/1390       |    |
|  | Power (kW)                      | 0,95                   |    |
|  | Voltage(V)                      | 220-230V NPE*/50-60 Hz |    |
|  | Current (Ampere)                | 1,5                    |    |
|  | Supply Cable (mm <sup>2</sup> ) | 3x1.5                  |    |
|  | Connection Type                 | CEE 7/7 (TYPE F) 16A   |    |

TR, BG, CZ, DE, FI, GR, LV, NO, PL, SE, SI, SK  
 www.atahan.com.tr  
 atahan@atahan.com.tr  
 Product Date: 29/03/2019  
 Serial Number: 00085  
 CE SLD-311

**a** PRODUCT MODEL  
**b** DIMENSIONS  
**c** POWER  
**d** CABLE TYPE

**8. ELECTRICAL CONNECTION - ASSEMBLY AND USE INSTRUCTIONS**

1. Follow the electrical standards of the country you are in while connecting the device to your power network.
2. Ensure that the power fed to your device is according to that which is stated on the device info sticker.

**9. ASSEMBLY**

- 1 Carefully remove the device from its packaging.
  - 2 Before turning on the device for the first time, peel off the protective PVC coating from all surfaces of the device. Wipe the surfaces with a damp cloth followed by a dry cloth.
  3. Do not use chemicals / detergents containing alcohol or solvents to clean the device. Use only mild soap / detergent with water on stainless steel surfaces. Dry with a clean cloth.
- Before device is used for the first time, the following procedure has to be performed.
1. In case the device has recently been moved, causing the refrigerant liquid in the compressor to get unsettled do not turn on the device for a period of 3 hours.
  2. When ready to operate, the unit has to run with empty GN containers covering the tub, for a period of 1 hour before food items / perishables can be placed on top of it.

**10. USE INSTRUCTIONS**

1. Connect the power cable to an electrical outlet (220-240V). A grounded three wire connection is necessary.
2. Push the power switch on the control panel to the ON position.
3. On the digital thermostat, while pressing the 'SET' button, press the up or down arrows to adjust the desired temperature that you wish the buffet to reach. When the SET button is released, the thermostat will display the current temperature inside the unit.
4. While the indicator light is illuminated, the cooling motor/heating element is working.





5. Cold Buffet: In order for the cool air to spread evenly and efficiently inside the unit use GN containers to cover the entire tub while operating. For maximum efficiency, do not operate the device with missing food containers.  
Hot Buffet: The water level can be adjusted by the user. Since there will be a rapid steam generation in high temperatures, the water level has to be observed carefully by the user. It must be ensured that the tub has sufficient water inside for bain-marie function and for proper operation and safety of the device
6. In order to preserve the food at the adjusted temperature evenly and correctly, please take care to divide the food into serviceable portions in GN containers before placing into the device.
7. Cold Buffet: In case of water build up due to condensation on the bottom pan, the water in the tub can be drained through the provided drain plug.  
Hot Buffet: The heating adjust adjustment shall be made to preserve the food warm, the device cannot be used for cooking.

➤ To get the highest energy efficiency from the device, the following parameter have to be considered:

1. Do not leave the top of the tub uncovered for prolonged periods while operating.
2. Do not put hot food and drinks into the unit
3. Cold Buffet: Adjust the thermostat to lower temperatures (3 to 5°C recommended)
4. Cold Buffet: Do not operate the unit while exposed to direct sunlight, or hot ambient temperatures (max. recommended temp. 25°C, relative humidity 60%)
5. Hot Buffet: Do not operate the unit while exposed to cold temperatures while food items are uncovered without lids. This might cause uneven temperatures in the food items.

## 11. CLEANING

1. Unplug the power cord from the outlet before beginning the cleaning process.
2. You may use a soft sponge with warm soapy water to clean the food contact surfaces of the device.
3. Do not use harsh cleaners or poisonous chemicals during cleaning of the unit.
4. Do not use pressured water to clean the unit.
5. Ensure that no water goes into the control/electrical cabinet at the bottom of the unit while cleaning it.
6. Cold Buffet: the condenser must be kept free of dust and debris buildup. Dust collecting on the condenser will reduce the efficiency of the device, and needs to be periodically cleaned with a dry brush.



|  |   |
|--|---|
|  | <p><b><u>WARNING!</u></b><br/>Do not use flammable or dissolving materials such as gasoline, paint thinner, acids, etc.</p> |
|--|---|

## 12. MAINTENANCE

### Hygiene

Hygiene is an essential work criteria for devices in food service establishments. Please ensure the hygiene of the device and the environment it is working in.

### Maintenance

The periodic maintenance of this device is every 6 months. Please ensure that all electrical components are operational, and mechanical components are clean and intact. The following specific components need to be checked:

- Operation of the thermostat / temperature adjustment
- Operation of the heating element underneath the water reservoir
- Operation of the fan unit, and the blades are free of obstacles
- There are no damaged or missing body components which could affect the proper functioning of the device.



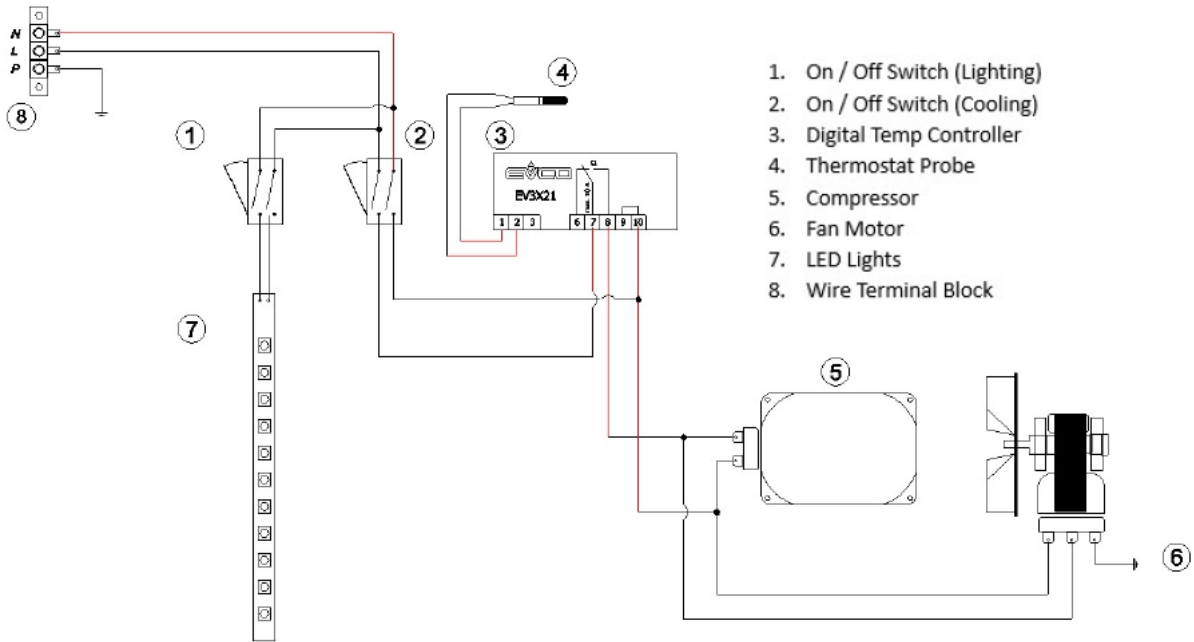


**Repair**

Faulty components must be replaced with original, factory approved spare parts. Replacement of the components and parts, disassembly and reassembly must be done by the manufacturer or an authorised service representative of the manufacturer. Repairs by any other party will void warranty of the device.

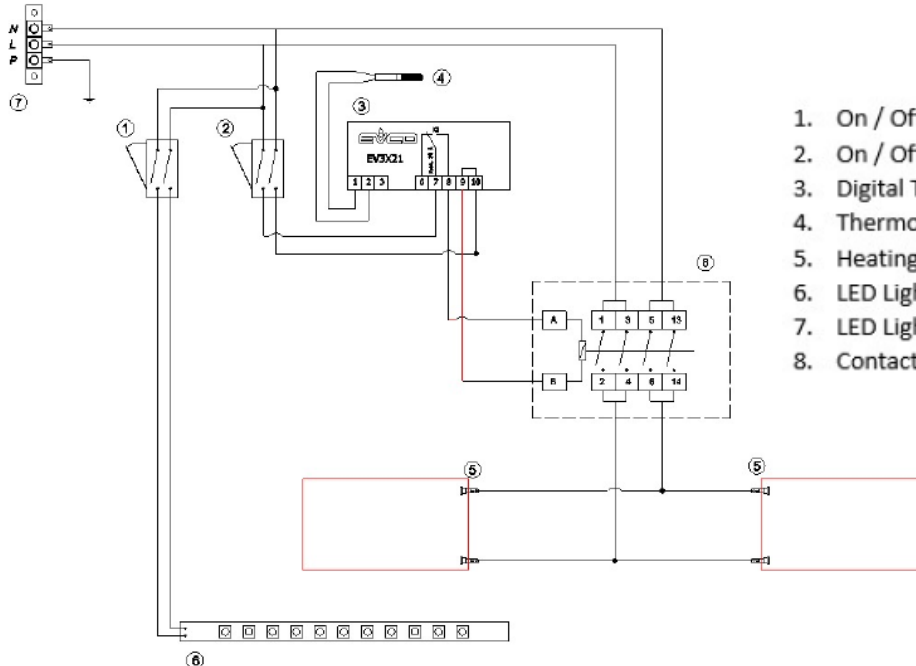
**13. ELECTRICAL CIRCUIT DIAGRAM**

**Cold Buffet**



- 1. On / Off Switch (Lighting)
- 2. On / Off Switch (Cooling)
- 3. Digital Temp Controller
- 4. Thermostat Probe
- 5. Compressor
- 6. Fan Motor
- 7. LED Lights
- 8. Wire Terminal Block

**Hot Buffet**



- 1. On / Off Switch (Lighting)
- 2. On / Off Switch (Cooling)
- 3. Digital Temp Controller
- 4. Thermostat Probe
- 5. Heating Element
- 6. LED Lights
- 7. LED Lights
- 8. Contactor



**INTERVENTION IN CASE OF MALFUNCTIONS MAY ONLY BE CARRIED OUT BY AUTHORISED SERVICE REPRESENTATIVE OF THE MANUFACTURER. INTERVENTION BY ANY OTHER PARTY IS PROHIBITED AND **WILL VOID THE WARRANTY OF THE DEVICE.****

**FOR THIS REASON, DO NOT LET ANYONE OTHER THAN AUTHORISED SERVICE REPRESENTATIVES TO CARRY OUT REPAIR / REPLACEMENT WORK WITH THE DEVICE.**

**THE MANUFACTURER IS NOT LIABLE IN CASE OF FAULTY WORK CARRIED OUT BY NON-AUTHORISED PARTIES. ANY NON ORIGINAL COMPONENTS WITHIN THE DEVICE **WILL VOID THE WARRANTY OF THE DEVICE.****



#### **LIMITED CERTIFICATE OF WARRANTY**

The product is guaranteed against material, production and assembly defects inclusive of all components that make up the complete product. Please contact your local dealer for detailed warranty information.


#### **14. WARRANTY - COVERAGE AND EXCLUSIONS**

Faults and damages arising from:

1. misuse and miscare of the product, as outlined by the user's manual
2. loading/unloading, moving, unpacking of the product after it has been delivered to the customer.
3. irregular low or high supply voltage, non-grounded connections, faulty connections done by individuals other than the authorized service personnel, using voltage other than that which is stated on the device sticker.
4. outside causes such as flood, fire, etc.
5. being subject to destructive chemicals and synthetics materials; accidental physical damage, neglect; intervention by non-authorized persons after a malfunction; any misconduct or misuse; any physical damage to the outer surfaces.
6. connection to gas supply with values and pressures different than that which is stated on the device sticker and user's manual.
7. connection to electrical power supply with values different than that which is stated on the device sticker and user's manual.
8. on devices using LPG, using high pressure security valve with values other than that which is stated on the device sticker and user's manual.


are held exclusive of the limited warranty.



|   |  |
|---|--|
|  | <p><b>DIT APPARAAT DIENT UITSLUITEND TE WORDEN INGESTELD EN GEBRUIKT IN<br/>OVEREENSTEMMING MET DE LOKALE WETGEVING EN<br/>VOEDSELVEILIGHEIDSVORSCHIFTEN.<br/>GELIEVE DEZE HANDLEIDING ZORGVULDIG DOOR TE LEZEN<br/>ALVORENS HET APPARAAT IN TE STELLEN EN TE GEBRUIKEN.</b></p> |
|---|--|

## 1. INLEIDING

- Dit apparaat, de koude/warme buffetserver, is bedoeld voor gebruik in restaurants, cafés, bars, fastfood-restaurants, hotels, ziekenhuizen en andere openbare instellingen om voedsel koel te houden en in buffetvorm te presenteren.
- Gebruik dit apparaat niet voor andere doeleinden.
- Het is essentieel om zorgvuldig de handleiding door te nemen die nodig is voor de installatie, het gebruik en het onderhoud van dit apparaat. Zorg ervoor dat het elektriciteitsnetwerk dat wordt gebruikt om dit apparaat van stroom te voorzien, conform plaatselijke voorschriften door gekwalificeerd personeel is geïnstalleerd en voldoet aan de criteria in onze technische tabel.
- Voordat u contact opneemt met de technische dienst, verzoeken wij u de instructies in de handleiding op te volgen. Als u vragen hebt over de montage, het gebruik of het onderhoud van dit apparaat, neem dan contact op met de technische dienst bij u in de buurt.

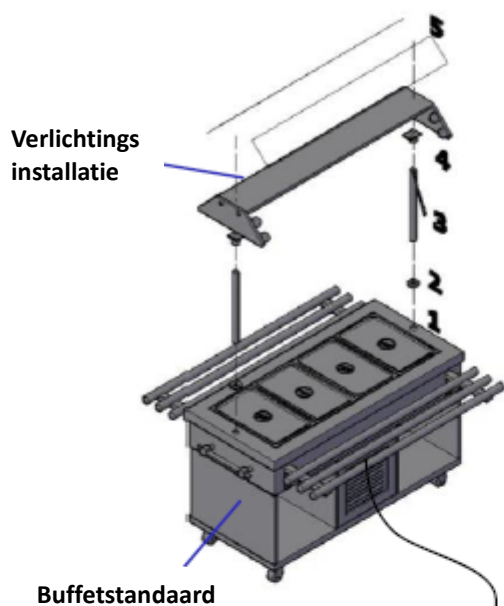
|   |   |
|---|---|
|  | <p><b>Om aan uw verwachtingen te voldoen en zoveel mogelijk voordeel te halen uit dit apparaat, willen wij u eraan de producthandleiding door te nemen en deze beschikbaar te stellen aan alle andere gebruikers.</b></p> |
|---|---|

## 2. TECHNISCHE TABELLEN

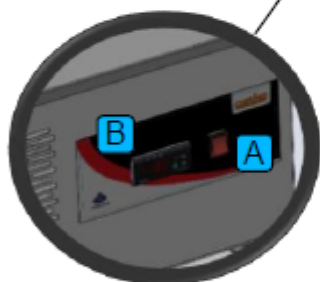
|                                      | KOUD BUFFET                    |                                |                                | WARM BUFFET                     |                                 |                                 |
|--------------------------------------|--------------------------------|--------------------------------|--------------------------------|---------------------------------|---------------------------------|---------------------------------|
|                                      | 7078.0005                      | 7078.0010                      | 7078.0015                      | 7078.0025                       | 7078.0030                       | 7078.0035                       |
| NETTO-<br>AFMETINGEN                 | 1200x700x<br>850/1350<br>mm    | 1500x700x<br>850/1350<br>mm    | 1900x700x<br>850/1350<br>mm    | 1200x700x<br>850/1350<br>mm     | 1500x700x<br>850/1350<br>mm     | 1900x700x<br>850/1350<br>mm     |
| TOTAAL<br>VERMOGEN                   | 510 W                          | 510 W                          | 510 W                          | 3000 W                          | 3000 W                          | 3000 W                          |
| INGANGS-<br>SPANNING /<br>FREQUENTIE | 220-230V /<br>50Hz             | 220-230V /<br>50Hz             | 220-230V /<br>50Hz             | 220-230V /<br>50Hz              | 220-230V /<br>50Hz              | 220-230V /<br>50Hz              |
| KOELMIDDEL                           | R290                           | R290                           | R290                           | -                               | -                               | -                               |
| IEEE ELEKTRISCHE<br>CLASSIFICATIE    | 1                              | 1                              | 1                              | 1                               | 1                               | 1                               |
| IP-BESCHERMING                       | IP 21                          | IP 21                          | IP 21                          | IP 21                           | IP 21                           | IP 21                           |
| NETTOGEWICHT                         | 115 kg                         | 125 kg                         | 135 kg                         | 106 kg                          | 115 kg                          | 125 kg                          |
| CAPACITEIT<br>VAN DE<br>VOEDSELLADE  | 3x 1/1 GN<br>(65 mm<br>hoogte) | 4x 1/1 GN<br>(65 mm<br>hoogte) | 5x 1/1 GN<br>(65 mm<br>hoogte) | 3x 1/1 GN<br>(100 mm<br>hoogte) | 4x 1/1 GN<br>(100 mm<br>hoogte) | 5x 1/1 GN<br>(100 mm<br>hoogte) |



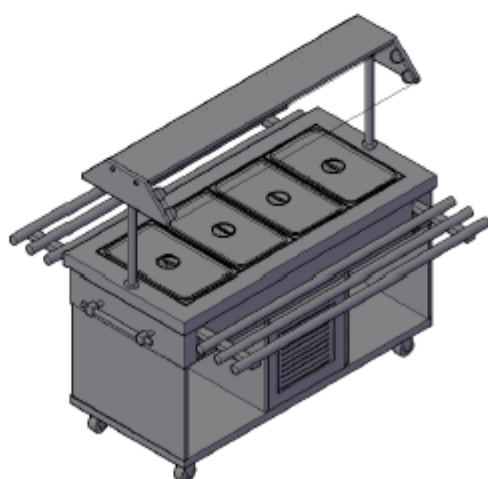
### 3. ALGEMENE INSTALLATIE - BEDIENINGSPANEEL



1. Bevestigingsopening
2. Chromen afdekking
3. Roestvrijstalen standaard
4. Adapter voor paalaansluiting
5. Niesbeschermglas




- A. Aan-/uitschakelaar & Lichtschakelaar
- B. Temperatuurregeling / Digitale thermostaat









#### 4. DRAGEN & VERPLAATSEN - VEILIGHEIDSWAARSCHUWINGSLABELS

|   |  |
|---|--|
|  | <b>Voordat u het apparaat verplaatst, dient u ervoor te zorgen dat de stroomkabel is losgekoppeld van een stopcontact.</b> |
|---|--|

- Het volledig geassembleerde apparaat kan handmatig op de wielen verplaatst worden. Zorg ervoor dat de wielremmen niet ingeschakeld zijn voordat u het apparaat verplaatst.
- Vermijd verplaatsingen op oneffen oppervlakken en steile hellingen waarbij u de controle over het apparaat kunt verliezen. Voorkom ook het stoten van het apparaat en het gebruik op steile hellingen.

#### 5. VEILIGHEIDSWAARSCHUWINGSLABELS

| GRONDLOCATIE  | ELEKTRISCHE STROOM  | INFO<br>INGANGSVERMOGEN  | ALGEMENE<br>WAARSCHUWINGINFO  |
|---|---|--|---|
|  |  |  |  |


##### ELEKTRISCHE AANSLUITWAARDEN

SPANNING: 220 - 240 V

NETWERKAANSLUITING: ENKELFASIG, GEAARD

FREQUENTIE: 50 Hz

#### 6. VEILIGHEIDSINSTRUCTIES EN NORMEN

- De installatie dient uitgevoerd te worden volgens de geldende normen. De fabrikant neemt geen verantwoordelijkheid voor storingen die veroorzaakt worden door onjuiste installatie of verkeerd gebruik van het apparaat. 
- Controleer tijdens de installatie het volgende in overeenstemming met de lokale wet- en regelgeving en instructies:
- Controleer voor het aansluiten op het stroomnet of het elektriciteitsnet en stopcontact voldoen aan de apparaatvereisten.
- Zorg ervoor dat de elektrische aansluiting volgens de juiste normen is uitgevoerd. Schade door verkeerde aansluiting valt niet onder de fabrikant zijn verantwoordelijkheid.
- Houd brandbare materialen weg bij het apparaat.
- Schakel de elektrische schakelaars uit tijdens werkzaamheden aan of inspecties van het apparaat.
- Bij een elektrische storing, neem contact op met een erkende servicetechnicus.
- Gebruik en raak het apparaat niet aan tijdens inspecties op elektrische storingen.
- Vervang defecte onderdelen door originele, door de fabriek goedgekeurde reserveonderdelen. De fabrieksgarantie dekt alleen apparaten die met originele reserveonderdelen zijn onderhouden.
- Als u fouten in het apparaat ontdekt, schakel dan het apparaat uit, trek de stekker uit het stopcontact en neem contact op met uw lokale serviceprovider.
- Gebruik het apparaat niet voordat de juiste reparaties zijn uitgevoerd.
- Reparaties die zijn uitgevoerd door andere personen dan de erkende servicetechnici kunnen schade aan het apparaat veroorzaken.
- Alle reparaties moeten worden uitgevoerd door erkende servicetechnici, anders vervalt de fabrieksgarantie op het apparaat.



## WAARSCHUWING - KOUD BUFFET

GEVAAR OP BRAND OF EXPLOSIE, ONTVLAMBAAR KOELMIDDEL WORDT GEBRUIKT.  
ONDERHOUD EN REPARATIES MOETEN WORDEN UITGEVOERD DOOR GETRAIND  
ONDERHOUDSPERSONEEL



## 7. VOORBEELD APPARAATSTICKER

|   |                        |  |            |
|---|------------------------|--|------------|
|   | Product Name           | Cold Service Trolley                       | TR         |
| Model   | SLD-311                |  |            |
| Dimension (mm)  | 117X700X860/1390       |  |            |
| Power (kW)  | 0,95                   |  |            |
| Voltage(V)  | 220-230V NPE*/50-60 Hz |  |            |
| Current (Amper)   | 1,5                    |  |            |
| Supply Cable (mm <sup>2</sup> )   | 3x1,5                  |  |            |
| Connection Type   | CBE 7/7 (TYPE F) 16A   |  |            |
| Atahan Maçınal Eyalet Tarlası ve İnşaat San. Tic. Dış. Şti.<br>Gümüşgaya Cad. Fatihpaşa Çim. No:14 Topkapı, İstanbul. Tel: 90(212)501 42 42 Fax: 90(212)5778957 |                        | www.atahan.com.tr<br>atashan@atahan.com.tr |            |
| TR, BG, CZ, DE, EE, FI, GR, LV, LT, LU, NL, NO, PL, RO, SE, SI, SK  |                        | Product Date                               | 29/03/2019 |
|   |                        | Serial Number                              | 00938      |
|   |                        | CE SLD-311                                 |            |

a. PRODUCTMODEL

b. AFMETINGEN

c. VERMOGEN

d. KABELTYPE

## 8. ELEKTRISCHE AANSLUITING – INSTALLATIE- EN GEBRUIKSAANWIJZING

1. Volg de elektrische normen van het land waarin u zich bevindt bij het aansluiten van het apparaat op uw elektriciteitsnet.
2. Zorg ervoor dat de stroomtoevoer naar uw apparaat overeenkomt met de vermelde stroomwaarden op de informatiesticker van het apparaat.

## 9. INSTALLATIE

1. Haal het apparaat voorzichtig uit de verpakking.
  2. Alvorens het apparaat voor de eerste keer in te schakelen, verwijder de beschermende PVC-coating van alle oppervlakken en reinig ze met een vochtige doek gevolgd door een droge doek.
  3. Gebruik geen chemicaliën/schoonmaakmiddelen die alcohol of oplosmiddelen bevatten om het apparaat schoon te maken. Gebruik alleen milde zeep/schoonmaakmiddel met water op roestvrijstalen oppervlakken. Droog met een schone doek.
- Voordat u het apparaat voor het eerst gebruikt, moet u de volgende procedure uitvoeren.
1. Laat het apparaat gedurende 3 uur uitgeschakeld indien het recentelijk verplaatst is en de koelvloeistof in de compressor verstoord kan zijn.
  2. Wanneer het apparaat bedrijfsklaar is, moet het gedurende 1 uur draaien met lege GN-containers die de kuip afdekken, voordat er voedsel / bederfelijke waren op geplaatst kunnen worden.

## 10. GEBRUIKSIJNSTRUCTIES

1. Sluit het netsnoer aan op een stopcontact (220-240V). Een geaarde 3-draadsaansluiting is noodzakelijk.
2. Schakel de aan-/uitschakelaar op het bedieningspaneel in de stand "ON".
3. Druk op de digitale thermostaat terwijl u op de SET-knop drukt op de pijlen omhoog of omlaag om de gewenste temperatuur in te stellen. Laat de SET-knop los om de huidige temperatuur weer te geven.
4. Als het indicatorlampje brandt, werkt de koelmotor/het verwarmingselement.





5. Koud buffet: Om ervoor te zorgen dat de koele lucht zich gelijkmatig en efficiënt in het apparaat verspreidt, moet u tijdens het gebruik GN-containers gebruiken om de hele kuip te bedekken. Voor een maximale efficiëntie mag u het apparaat niet gebruiken met ontbrekende voedselcontainers.

Warm buffet: Het waterniveau kan door de gebruiker aangepast worden. Houd toezicht op het waterniveau vanwege snelle stoomvorming bij hoge temperaturen, wat essentieel is voor de bain-marie functie en de goede werking en veiligheid van het apparaat.

6. Om het voedsel gelijkmatig en correct op de ingestelde temperatuur te bewaren, dient u het voedsel in bruikbare porties in GN-containers te verdelen voordat u het in het apparaat plaatst.

7. Koud buffet: In geval van watercondensatie op de onderste pan, kan het water in de kuip worden afgevoerd via de meegeleverde aftapplug.

Warm buffet: De verwarming moet worden afgesteld om het voedsel warm te houden, het apparaat kan niet worden gebruikt om te koken.

➤ Om de hoogste energie-efficiëntie uit het apparaat te halen, moeten de volgende parameters in acht worden genomen:

1. Laat de bovenkant van de kuip tijdens het gebruik niet gedurende langere tijd onbedekt.

2. Plaats geen heet voedsel of drankjes direct in het apparaat.

3. Koud buffet: Stel de thermostaat in op lagere temperaturen (3 tot 5 °C aanbevolen)

4. Koud buffet: Gebruik het apparaat niet in direct zonlicht of bij hete omgevingstemperaturen (aanbevolen max. temp. 25 °C, relatieve vochtigheid 60%).

5. Warm buffet Voorkom blootstelling aan koude temperaturen terwijl voedsel onbedekt is, dit kan leiden tot ongelijkmatige temperaturen in de voedselproducten.

## 11. REINIGING

1. Haal de stekker uit het stopcontact voordat u het apparaat begint te reinigen.

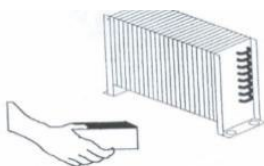
2. Gebruik een zachte spons met warm zeepwater gebruiken om de oppervlakken van het apparaat die met voedsel in aanraking komen te reinigen.

3. Gebruik geen agressieve schoonmaakmiddelen of giftige chemicaliën tijdens het reinigen van het apparaat.

4. Vermijd het gebruik van water onder druk om het apparaat te reinigen.

5. Zorg ervoor dat er geen water in de schakelkast aan de onderkant van het apparaat komt tijdens het reinigen.

6. Koud buffet: Houd de condensor vrij van stof en vuil. Stof dat zich op de condensor verzamelt, vermindert de efficiëntie van het apparaat en moet regelmatig met een droge borstel worden gereinigd.



### **WAARSCHUWING!**

**Gebruik geen ontvlambare of oplosende materialen zoals benzine, verfverdunder, zuren, enz.**

## 12. ONDERHOUD

### Hygiëne

Hygiëne is van essentieel belang in voedselvoorzieningsbedrijven. Zorg voor hygiëne van zowel het apparaat als de omgeving waarin het wordt gebruikt.



### Onderhoud

Dit apparaat vereist onderhoud om de 6 maanden. Controleer of alle elektrische onderdelen correct functioneren en of de mechanische onderdelen schoon en onbeschadigd zijn:

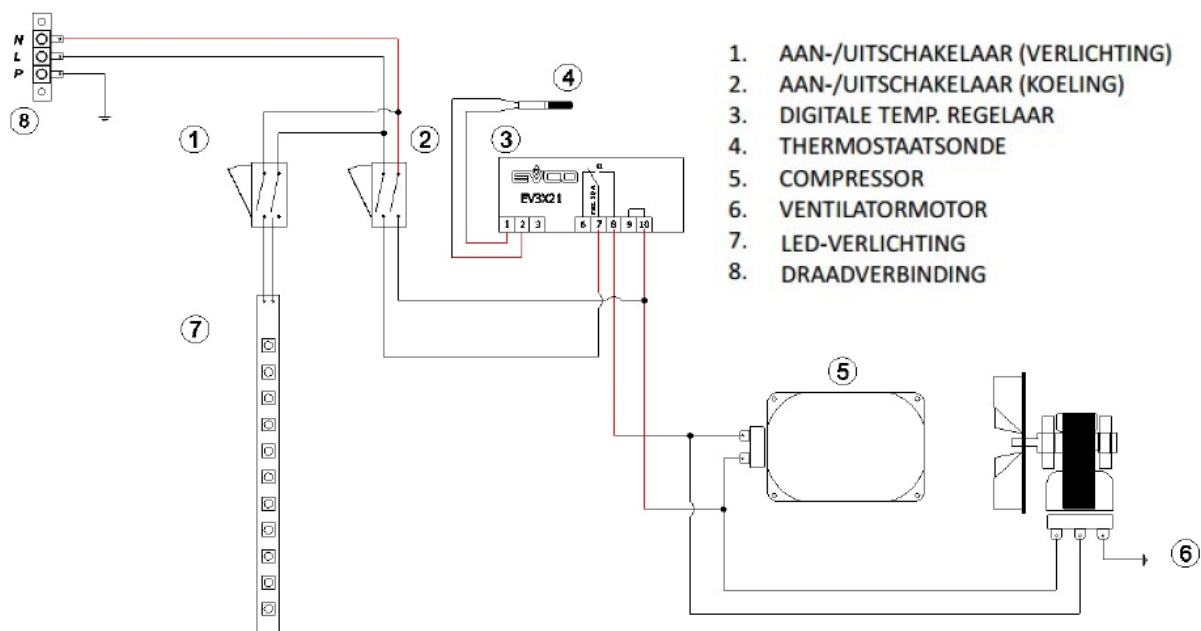
- Controleer de werking van de thermostaat / temperatuurregeling;
- Controleer de werking van het verwarmingselement onder het waterreservoir;
- Controleer de werking van de ventilatoreenheid en controleer of de bladen vrij zijn van obstakels;
- Controleer op beschadigde of ontbrekende onderdelen die invloed kunnen hebben op de goede werking van het apparaat.

### Reparatie

Defecte onderdelen moeten worden vervangen door originele reserveonderdelen die zijn goedgekeurd door de fabrikant. Vervanging van onderdelen en componenten, demontage en montage moeten worden uitgevoerd door de fabrikant of door een erkende onderhoudsdienst namens de fabrikant. Bij reparaties door een andere partij vervalt de garantie op het apparaat.

## 13. ELEKTRISCH SCHAKELSCHEMA

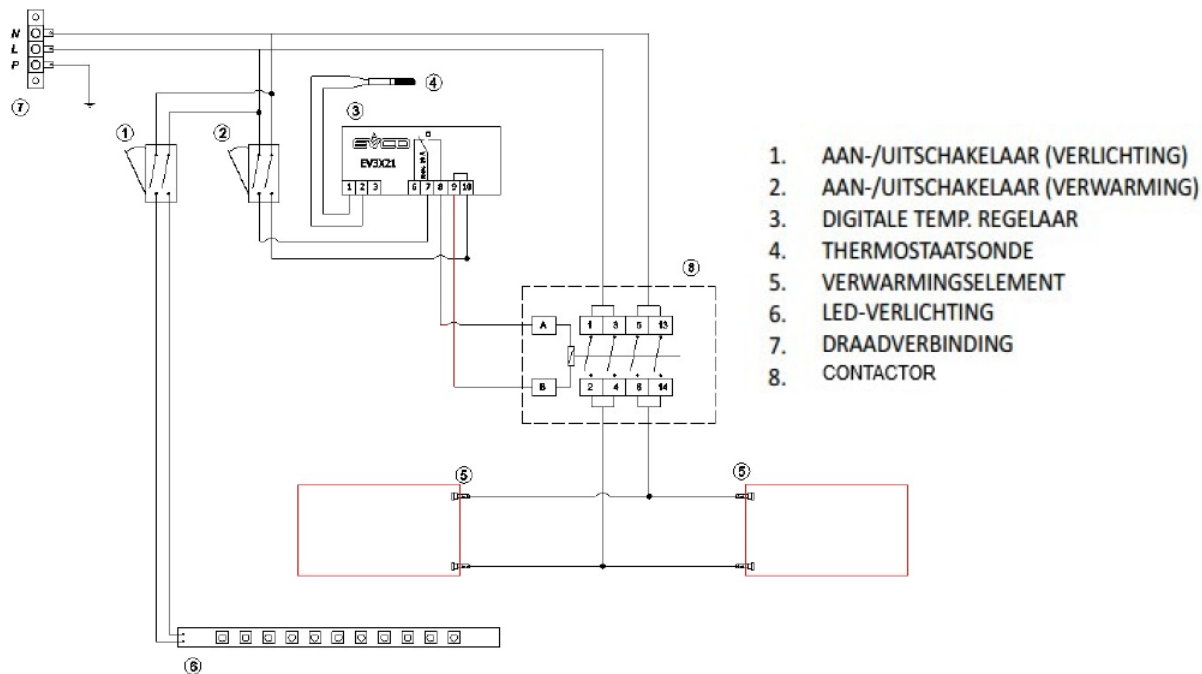
### Koud buffet







## Warm buffet



**INTERVENTIE IN GEVAL VAN STORINGEN MAG ALLEEN WORDEN UITGEVOERD DOOR EEN BEVOEGDE SERVICEVERTEGENWOORDIGER VAN DE FABRIKANT. TUSSENKOMST VAN EEN ANDERE PARTIJ IS VERBODEN EN LEIDT TOT DE NIETIGHEID VAN DE GARANTIE VAN HET APPARAAT.**

**OM DE INTEGRITEIT VAN HET APPARAAT TE BEWAREN, DIEN ALLEEN DE BEVOEGDE SERVICE-TECHNICUS REPARATIES OF VERVANGINGEN UIT TE VOEREN.**

**DE FABRIKANT IS NIET AANSPRAKELIJK IN GEVAL VAN GEBREKKIG UITGEVOERD WERK DOOR ONBEVOEGDE PARTIJEN. ALLE NIET-ORIGINELE ONDERDELEN IN HET APPARAAT DOET DE GARANTIE OP HET APPARAAT VERVALLEN.**





#### **BEPERKT GARANTIECERTIFICAAT**

Het apparaat is gewaarborgd tegen materiaal-, productie- en montagefouten, inclusief alle onderdelen waaruit het complete apparaat bestaat. Neem contact op met uw plaatselijke dealer voor gedetailleerde informatie over de garantie.


#### **14. GARANTIE - DEKKING EN UITSLUITINGEN**

Storingen en schade veroorzaakt door:

1. verkeerd gebruik en onderhoud van het apparaat, zoals beschreven in de gebruikershandleiding
2. laden/lossen, verplaatsen, uitpakken van het apparaat nadat het bij de klant is afgeleverd.
3. afwijkingen in voedingsspanning, niet-geaarde aansluitingen, onjuiste aansluitingen uitgevoerd door andere personen dan het bevoegde onderhoudspersoneel, gebruik van een andere spanning dan vermeld op de apparaat sticker.
4. oorzaken van buitenaf, zoals overstroming, brand, enz.
5. blootstelling aan schadelijke chemicaliën en synthetische materialen; onbedoelde fysieke schade, verwaarlozing; interventie door onbevoegde personen na een storing; wangedrag of misbruik; fysieke schade aan de buitenoppervlakken.
6. aansluiting op een gastoevoer met andere waarden en drukken dan die welke op de apparaat sticker en in de gebruikershandleiding vermeld staan.
7. aansluiting op een elektrische voeding met andere waarden dan de waarden die op de apparaat sticker en in de gebruikershandleiding vermeld staan.
8. op apparaten die LPG gebruiken, het gebruik van een hogedrukveiligheidsklep met andere waarden dan die op de apparaat sticker en in de gebruikershandleiding vermeld staan.


worden uitgesloten van de garantie.



|   |   |
|---|---|
|  | <p><b>DIESES GERÄT DARF NUR IN ÜBEREINSTIMMUNG MIT DEN FOLGENDEN BESTIMMUNGEN EINGERICHTET UND VERWENDET WERDEN MIT LOKALEN GESETZEN UND GEMÄSS DER LEBENSMITTELSICHERHEIT VORSCHRIFTEN. DIESES HANDBUCH MUSS SORGFÄLTIG GELESEN WERDEN, BEVOR DAS GERÄT EINGERICHTET UND VERWENDET WIRD.</b></p> |
|---|---|

## 1. EINLEITUNG

- Dieses Gerät, Cold/Hot Buffet Server, wird in Serviceeinrichtungen wie Restaurants, Cafés, Bars, Fast-Food-Lokalen, Hotels, Krankenhäusern und anderen öffentlichen Einrichtungen usw. verwendet, um Speisen kalt zu halten und in einer Buffetanordnung zu präsentieren.
- Verwenden Sie dieses Gerät nicht für andere Zwecke.
- Lesen Sie das Handbuch, das die für die Montage, den Gebrauch und die Wartung dieses Geräts erforderlichen Informationen enthält, sorgfältig durch. Bitte stellen Sie sicher, dass das Stromnetz, über das dieses Gerät mit Strom versorgt wird, von qualifiziertem Personal gemäß den örtlichen Vorschriften errichtet wurde und den Kriterien in unserer technischen Tabelle entspricht.
- Bevor Sie sich an den technischen Kundendienst wenden, bitten wir Sie, die Anweisungen im Handbuch zu beachten. Wenn Sie Fragen zur Montage, Verwendung oder Wartung des Geräts haben, wenden Sie sich bitte an den technischen Kundendienst in Ihrer Nähe.

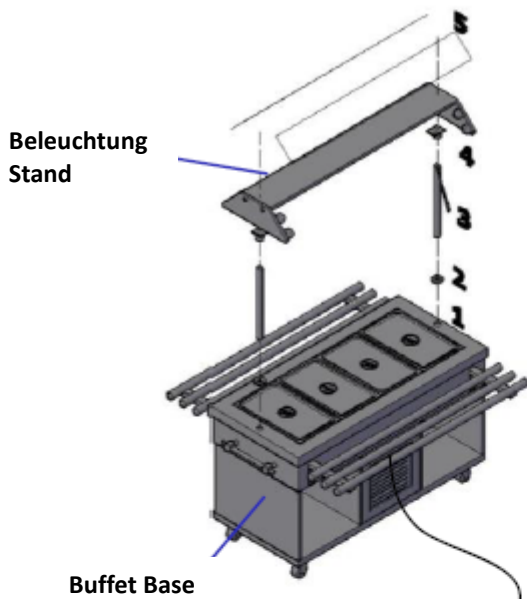
|   |   |
|---|---|
|  | <p><b>Um Ihre Erwartungen zu erfüllen und den Nutzen aus diesem Produkt zu maximieren erinnern wir Sie daran, das Produkthandbuch zu lesen und es jedem andere Benutzer zur Verfügung zu stellen.</b></p> |
|---|---|

## 2. TECHNISCHE TABELLEN

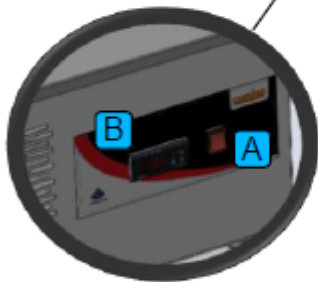
|   | KALTES BUFFET               |                             |                             | WARMES BUFFET                |                              |                              |
|---|-----------------------------|-----------------------------|-----------------------------|------------------------------|------------------------------|------------------------------|
|   | 7078.0005                   | 7078.0010                   | 7078.0015                   | 7078.0025                    | 7078.0030                    | 7078.0035                    |
| NETTO-ABMESSUNGEN                               | 1200x700x<br>850/1350<br>mm | 1500x700x<br>850/1350<br>mm | 1900x700x<br>850/1350<br>mm | 1200x700x<br>850/1350<br>mm  | 1500x700x<br>850/1350<br>mm  | 1900x700x<br>850/1350<br>mm  |
| GESAMTLEISTUNG<br>LEISTUNG                      | 510 W                       | 510 W                       | 510 W                       | 3000 W                       | 3000 W                       | 3000 W                       |
| EINGANGS-SPANNUNG<br>/ FREQUENZ                 | 220-230V /<br>50Hz          | 220-230V /<br>50Hz          | 220-230V /<br>50Hz          | 220-230V /<br>50Hz           | 220-230V /<br>50Hz           | 220-230V /<br>50Hz           |
| KÄLTEMITTEL                                     | R290                        | R290                        | R290                        | -                            | -                            | -                            |
| IEEE ELEKTRISCHE<br>KLASSIFIZIERUNG             | 1                           | 1                           | 1                           | 1                            | 1                            | 1                            |
| IP-SCHUTZ                                       | IP 21                       | IP 21                       | IP 21                       | IP 21                        | IP 21                        | IP 21                        |
| NETTOGEWICHT                                    | 115 kg                      | 125 kg                      | 135 kg                      | 106 kg                       | 115 kg                       | 125 kg                       |
| FASSUNGSVERMÖGEN<br>DER LEBENSMITTEL-<br>SCHALE | 3x 1/1 GN<br>(65mm<br>Höhe) | 4x 1/1 GN<br>(65mm<br>Höhe) | 5x 1/1 GN<br>(65mm<br>Höhe) | 3x 1/1 GN<br>(100mm<br>Höhe) | 4x 1/1 GN<br>(100mm<br>Höhe) | 5x 1/1 GN<br>(100mm<br>Höhe) |



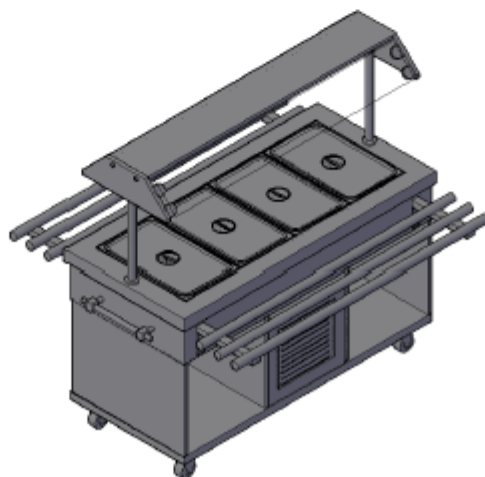
### 3. ALLGEMEINE EINRICHTUNG - BEDIENFELD



1. Montageloch
2. Chromkappe
3. Pfosten aus Edelstahl
4. Pfostenanschluss-Adapter
5. Niesschutz Glas



- A. Ein/Aus-Schalter & Lichtschalter
- B. Temperatureinstellung / Digitaler Thermostat





#### 4. TRAGEN & BEWEGEN - SICHERHEITSWARNSCHILDER

|  |   |
|--|---|
|  | <b>Bevor Sie das Gerät bewegen, vergewissern Sie sich, dass das Netzkabel aus der Steckdose gezogen wird.</b> |
|--|---|

- Das vollständig montierte Gerät kann auf seinen Rädern von Hand bewegt werden. Stellen Sie sicher, dass die Radbremsen nicht angezogen sind, bevor Sie das Gerät bewegen.
- Vermeiden Sie Fahrten auf unebenen Flächen und an steilen Hängen, wo Sie die Kontrolle verlieren könnten. Vermeiden Sie auch das Anstoßen des Geräts und steile Steigungen.

#### 5. SICHERHEITSWARNSCHILDER

| BODENLAGE | ELEKTRISCHER STROM | INFO ZUR EINGANGSLEISTUNG | ALLGEMEINE WARNHINWEISE |
|-----------|--------------------|---------------------------|-------------------------|
|           |                    |                           |                         |

#### ELEKTRISCHE ANSCHLUSSWERTE

SPANNUNG: 220 - 240 V

NETZANSCHLUSS: EINPHASIG, GEERDET

FREQUENZ: 50 Hz

#### 6. SICHERHEITSHINWEISE UND NORMEN

- Alle Montagearbeiten sollten gemäß den geltenden Normen durchgeführt werden. Der Hersteller übernimmt keine Verantwortung für Fehlfunktionen, die durch eine fehlerhafte Einrichtung oder Verwendung des Geräts verursacht werden.
- Folgendes muss bei der Montage in Übereinstimmung mit den örtlichen Gesetzen und Vorschriften sowie den Anweisungen überprüft werden:
- Vergewissern Sie sich vor dem Anschluss des Geräts an die Stromversorgung, dass das Stromnetz und die Steckdose mit den Anforderungen des Geräts kompatibel sind.
- Vergewissern Sie sich, dass der elektrische Anschluss ordnungsgemäß erfolgt ist. Der Hersteller haftet nicht für Schäden, die durch einen fehlerhaften elektrischen Anschluss verursacht werden.
- Lassen Sie keine brennbaren Materialien in der Nähe des Geräts liegen.
- Vergewissern Sie sich bei der Arbeit oder Überprüfung des Geräts, dass die elektrischen Schalter ausgeschaltet sind.
- Wenn eine elektrische Störung festgestellt wird, wenden Sie sich an Ihren örtlichen Kundendienst.
- Berühren Sie das Gerät während der Überprüfung auf elektrische Fehler nicht und fassen Sie es nicht an.
- Ersetzen Sie defekte Komponenten durch originale, vom Hersteller zugelassene Ersatzteile. Die Herstellergarantie gilt nur für Geräte, die mit Originalersatzteilen gewartet wurden.
- Wenn Sie einen Fehler am Gerät feststellen, schalten Sie das Gerät aus, ziehen Sie das Netzkabel ab und wenden Sie sich an Ihren örtlichen Dienstleister.
- Stellen Sie sicher, dass das Gerät nicht benutzt wird, bevor die Reparaturen ordnungsgemäß durchgeführt wurden.
- Reparaturen, die von anderen Personen als den autorisierten Servicetechnikern durchgeführt wurden, können Schäden am Gerät verursachen.
- Alle Reparaturen müssen von autorisierten Servicetechnikern durchgeführt werden. Andernfalls verliert das Gerät den Garantieanspruch des Herstellers.





**WARNUNG - KALTE BÜFFETS**  
**BRAND- ODER EXPLOSIONSGEFAHR, BRENNBARES KÄLTEMITTEL VERWENDET.**  
**SERVICE UND REPARATUREN MÜSSEN VON GESCHULTEM SERVICEPERSONAL**  
**DURCHFÜHRT WERDEN.**



## 7. MUSTER GERÄTEAUFKLEBER

|  |                        |                      |                      |
|--|------------------------|----------------------|----------------------|
|  | Product Name           | Cold Service Trolley | TR                   |
| Model  | SLD-311                |                      |                      |
| Dimension (mm)   | 117X700X860/1390       |                      |                      |
| Power (kW)   | 0,95                   |                      |                      |
| Voltage(V)   | 220-230V NPE*/50-60 Hz |                      |                      |
| Current (Amper)  | 1,5                    |                      |                      |
| Supply Cable (mm <sup>2</sup> )                                | 3x1,5                  |                      |                      |
| Connection Type  | CBE 7/7 (TYPE F) 16A   |                      |                      |
| TR, BG, CZ, DE, EE, FI, GR, LV, LT, LU, NL, NO, RO, SE, SI, SK |                        | www.atahan.com.tr    | atahan@atahan.com.tr |
| Atahan Maçınal Eyaletleri ve İşletim San. Tic. Ort. Şti.       |                        | Product Date         | 29/03/2019           |
| Gümüşgaya Cad. Fatihpaşa Çim. No:14 Topkapı, Üsk.              |                        | Serial Number        | 00938                |
| Tel: 90(212)501 42 42 Fax: 90(212)5778957                      |                        |                      |                      |

A. PRODUKTMODELL  
B. ABMESSUNGEN  
C. STROMVERSORGUNG  
D. KABEL-TYP

## 8. ELEKTRISCHER ANSCHLUSS - MONTAGE- UND GEBRAUCHSANWEISUNG

1. Halten Sie sich beim Anschluss des Geräts an Ihr Stromnetz an die elektrischen Normen des Landes, in dem Sie sich befinden.
2. Vergewissern Sie sich, dass die Stromzufuhr zu Ihrem Gerät derjenigen entspricht, die auf dem Info-Aufkleber des Geräts angegeben ist.

## 9. MONTAGE

- 1 Nehmen Sie das Gerät vorsichtig aus der Verpackung.
- 2 Bevor Sie das Gerät zum ersten Mal einschalten, ziehen Sie die PVC-Schutzschicht von allen Oberflächen des Geräts ab. Wischen Sie die Oberflächen mit einem feuchten Tuch und anschließend mit einem trockenen Tuch ab.
3. Verwenden Sie zur Reinigung des Geräts keine alkohol- oder lösungsmittelhaltigen Chemikalien/ Reinigungsmittel. Verwenden Sie nur milde Seife/Reinigungsmittel mit Wasser für die Oberflächen aus Edelstahl. Trocknen Sie sie mit einem sauberen Tuch ab.  
⇒ Bevor Sie das Gerät zum ersten Mal benutzen, müssen Sie die folgenden Schritte durchführen.
  1. Falls das Gerät vor kurzem bewegt wurde, wodurch die Kältemittelflüssigkeit im Kompressor unruhig geworden ist, schalten Sie das Gerät für einen Zeitraum von 3 Stunden nicht ein.
  2. Wenn das Gerät betriebsbereit ist, muss es mit leeren GN-Behältern, die die Wanne abdecken, 1 Stunde lang laufen, bevor Lebensmittel / verderbliche Waren darauf gelegt werden können.

## 10. GEBRAUCHSANWEISUNG

1. Schließen Sie das Netzkabel an eine Steckdose (220-240V) an. Ein geerdeter Dreileiteranschluss ist erforderlich.
2. Schieben Sie den Netzschalter auf dem Bedienfeld in die Position ON.
3. Drücken Sie auf dem digitalen Thermostat bei gedrückter 'SET'-Taste die Pfeile nach oben oder unten, um die gewünschte Temperatur einzustellen, die das Buffet erreichen soll. Wenn Sie die SET-Taste loslassen, zeigt der Thermostat die aktuelle Temperatur im Gerät an.
4. Solange die Kontrollleuchte leuchtet, arbeitet der Kühlmotor/das Heizelement.



5. Kaltes Buffet: Damit sich die kühle Luft gleichmäßig und effizient im Gerät verteilen kann, verwenden Sie GN-Behälter, um die gesamte Wanne während des Betriebs abzudecken. Um maximale Effizienz zu erzielen, sollten Sie das Gerät nicht mit fehlenden Lebensmittelbehältern betreiben.

Warmes Buffet: Der Wasserstand kann vom Benutzer eingestellt werden. Da es einen schnellen Dampfstoß geben wird bei hohen Temperaturen, muss der Wasserstand vom Benutzer sorgfältig beobachtet werden. Es muss sichergestellt sein, dass sich in der Wanne genügend Wasser befindet, um die Bain-Marie Funktion zu gewährleisten und den ordnungsgemäßen Betrieb und die Sicherheit des Geräts sicherzustellen.

6. Um die Lebensmittel bei der eingestellten Temperatur gleichmäßig und korrekt zu konservieren, achten Sie bitte darauf, die Lebensmittel in brauchbare Portionen in GN-Behältern aufzuteilen, bevor Sie sie in das Gerät geben.

7. Kaltes Buffet: Sollte sich aufgrund von Kondenswasser an der Bodenwanne Wasser ansammeln, können Sie das Wasser in der Wanne über den mitgelieferten Ablassstopfen ablassen.

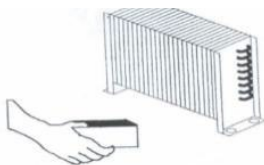
Warmes Buffet: Die Heizung muss so eingestellt werden, dass die Speisen warm gehalten werden, das Gerät kann nicht zum Kochen verwendet werden.

⇒ Um die höchste Energieeffizienz des Geräts zu erreichen, müssen die folgenden Parameter berücksichtigt werden:

1. Lassen Sie die Oberseite der Wanne während des Betriebs nicht für längere Zeit unbedeckt.
2. Geben Sie keine heißen Speisen und Getränke in das Gerät
3. Kaltes Buffet: Stellen Sie den Thermostat auf niedrigere Temperaturen ein (3 bis 5°C empfohlen)
4. Kaltes Buffet: Betreiben Sie das Gerät nicht in direktem Sonnenlicht oder bei heißen Umgebungstemperaturen (empfohlene Höchsttemperatur 25°C, relative Luftfeuchtigkeit 60%).
5. Warmes Buffet: Betreiben Sie das Gerät nicht, solange es kalten Temperaturen ausgesetzt ist und die Lebensmittel ohne Deckel aufbewahrt werden. Dies könnte zu ungleichmäßigen Temperaturen bei den Lebensmitteln führen.

## 11. REINIGUNG

1. Ziehen Sie das Netzkabel aus der Steckdose, bevor Sie mit dem Reinigungsvorgang beginnen.
2. Sie können einen weichen Schwamm mit warmem Seifenwasser verwenden, um die mit Lebensmitteln in Berührung kommenden Oberflächen des Geräts zu reinigen.
3. Verwenden Sie zur Reinigung des Geräts keine scharfen Reinigungsmittel oder giftigen Chemikalien.
4. Verwenden Sie zur Reinigung des Geräts kein Druckwasser.
5. Achten Sie darauf, dass bei der Reinigung kein Wasser in den Steuer-/Elektroschrank an der Unterseite des Geräts gelangt.
6. Kaltes Buffet: Der Kondensator muss frei von Staub und Ablagerungen gehalten werden. Staub, der sich auf dem Kondensator ansammelt, verringert die Effizienz des Geräts und muss regelmäßig mit einer trockenen Bürste gereinigt werden.



### **WARNUNG!**

Verwenden Sie keine brennbaren oder sich auflösenden Materialien wie Benzin, Farbverdünner, Säuren, etc.



## 12. WARTUNG

### Hygiene

Hygiene ist ein wesentliches Arbeitskriterium für Geräte in Lebensmittelbetrieben. Bitte achten Sie auf die Hygiene des Geräts und der Umgebung, in der es betrieben wird.

### Wartung

Die regelmäßige Wartung dieses Geräts erfolgt alle 6 Monate. Bitte stellen Sie sicher, dass alle elektrischen Komponenten funktionsfähig und die mechanischen Komponenten sauber und intakt sind. Die folgenden spezifischen Komponenten müssen überprüft werden:

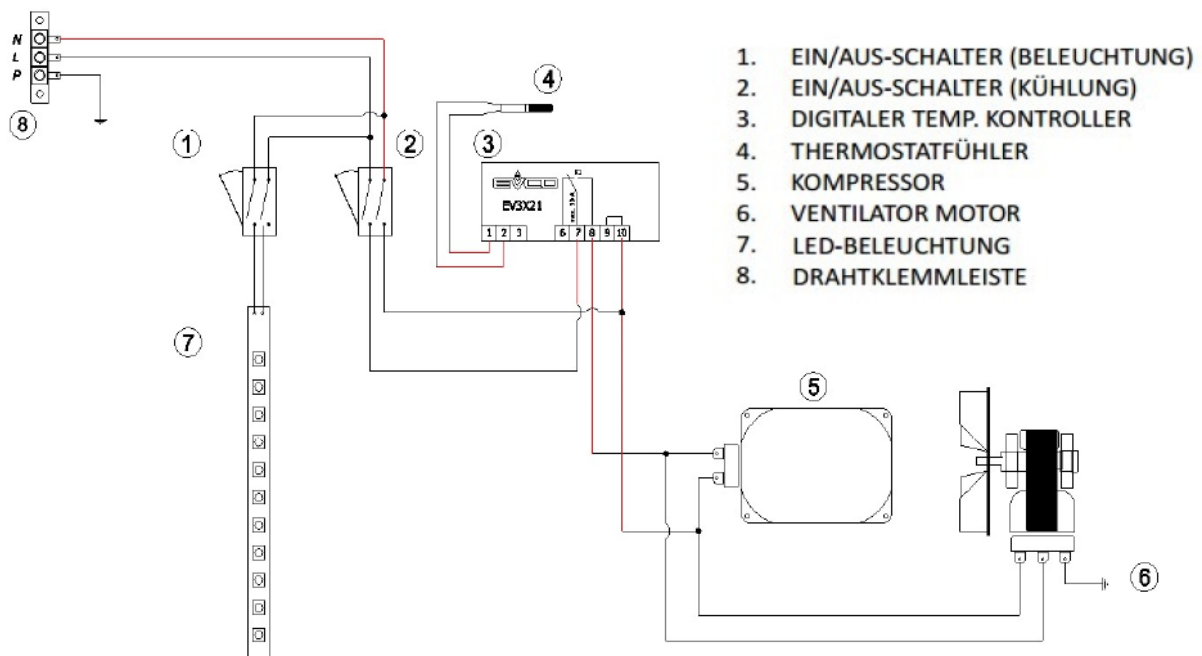
- Betrieb des Thermostats / Temperatureinstellung
- Betrieb des Heizelements unterhalb des Wasserbehälters
- Betrieb der Ventilatoreinheit, und die Flügel sind frei von Hindernissen
- Es gibt keine beschädigten oder fehlenden Gehäuseteile, die das ordnungsgemäße Funktionieren des Geräts beeinträchtigen könnten.

### Reparatur

Defekte Komponenten müssen durch originale, vom Hersteller zugelassene Ersatzteile ersetzt werden. Der Austausch von Komponenten und Teilen, die Demontage und der Wiedereinbau müssen vom Hersteller oder einem autorisierten Servicevertreter des Herstellers durchgeführt werden. Bei Reparaturen durch eine andere Partei erlischt die Garantie für das Gerät.

## 13. ELEKTRISCHER SCHALTPLAN

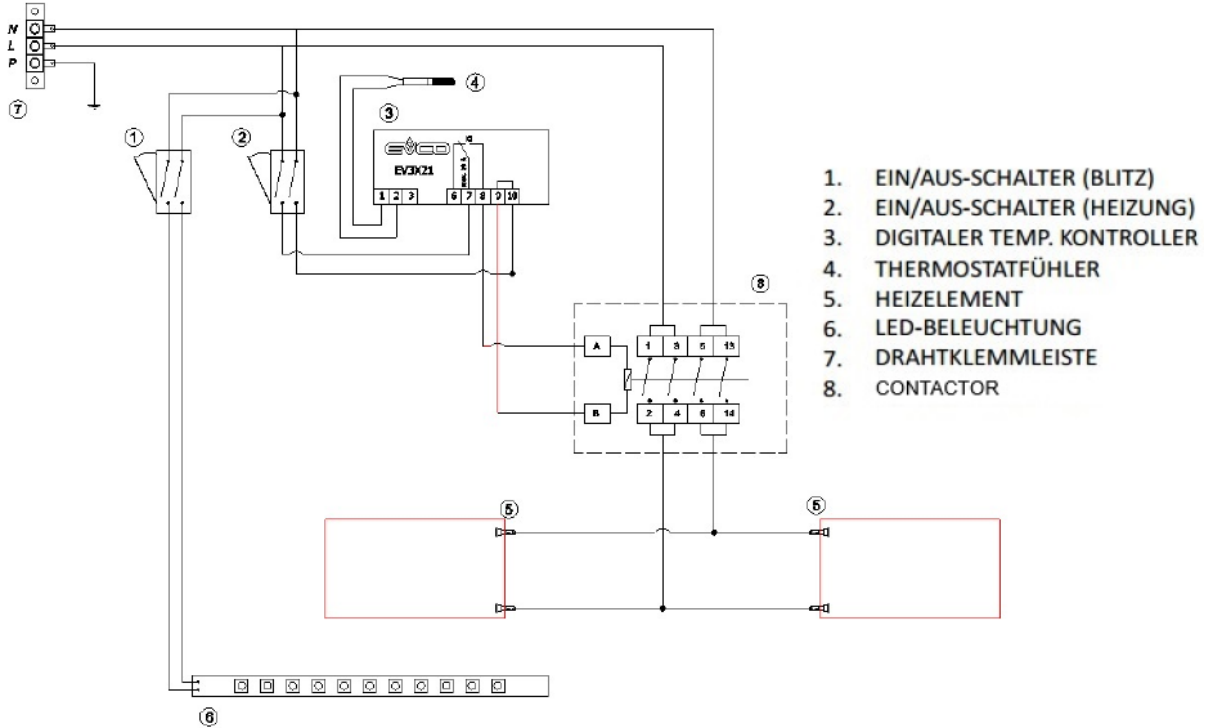
### Kaltes Buffet







## Warmes Buffet



**EINGRIFFE BEI FEHLFUNKTIONEN DÜRFEN NUR VORGENOMMEN WERDEN DURCH EINEN AUTORISIERTEN SERVICEVERTRETER DES HERSTELLERS. INTERVENTION DURCH EINE ANDERE PARTEI IST UNTERSAGT UND **ERLICHT DIE GARANTIE FÜR DAS GERÄT.****

**LASSEN SIE AUS DIESEM GRUND KEINE ANDEREN PERSONEN ALS DEN AUTORISIERTEN SERVICEVERTRETER ZUR DURCHFÜHRUNG VON REPARATUREN / AUSTAUSCHARBEITEN AM GERÄT.**

**DER HERSTELLER HAFTET NICHT FÜR FEHLERHAFT AUSGEFÜHRTE ARBEITEN DURCH NICHT AUTORISIERTE PARTEIEN. ALLE NICHT ORIGINALEN KOMPONENTEN IM GERÄT ERLICHT DIE GARANTIE FÜR DAS GERÄT.**





### **BESCHRÄNKTES GARANTIEZERTIFIKAT**

Das Produkt ist garantiert gegen Material-, Produktions- und Montagefehler, einschließlich aller Komponenten, aus denen das komplette Produkt besteht. Detaillierte Informationen zur Garantie erhalten Sie bei Ihrem Händler vor Ort.


## **14. GARANTIE - DECKUNG UND AUSSCHLÜSSE**

Fehler und Schäden, die entstehen durch:

1. falscher Gebrauch und falsche Pflege des Produkts, wie im Benutzerhandbuch beschrieben
2. Be-/Entladen, Umziehen, Auspacken des Produkts nach der Lieferung an den Kunden.
3. unregelmäßig niedrige oder hohe Versorgungsspannung, nicht geerdete Anschlüsse, fehlerhafte Anschlüsse durch andere Personen als das autorisierte Servicepersonal, Verwendung einer anderen als der auf dem Geräteaufkleber angegebenen Spannung.
4. äußere Ursachen wie Überschwemmung, Feuer usw.
5. Einwirkung von zerstörerischen Chemikalien und synthetischen Stoffen; zufällige physische Beschädigung, Vernachlässigung; Eingriffe durch nicht autorisierte Personen nach einer Fehlfunktion; jegliches Fehlverhalten oder Missbrauch; jegliche physische Beschädigung der äußeren Oberflächen.
6. Anschluss an eine Gasversorgung mit anderen Werten und Drücken als denjenigen, die auf dem Geräteaufkleber und im Benutzerhandbuch angegeben sind.
7. Anschluss an eine Stromversorgung mit anderen Werten als denjenigen, die auf dem Geräteaufkleber und im Benutzerhandbuch angegeben sind.
8. bei Geräten, die mit Flüssiggas betrieben werden, die Verwendung eines Hochdruck-Sicherheitsventils mit anderen Werten als denen, die auf dem Geräteaufkleber und im Benutzerhandbuch angegeben sind.


werden unter Ausschluss der beschränkten Garantie gehalten.



|   |   |
|---|---|
|  | <p><b>CET APPAREIL NE PEUT ÊTRE INSTALLÉ ET UTILISÉ QU'EN CONFORMITÉ AVEC LES LOIS LOCALES ET LES RÈGLES DE SÉCURITÉ ALIMENTAIRE. CE MANUEL DOIT ÊTRE LU ATTENTIVEMENT AVANT L'INSTALLATION ET L'UTILISATION DE L'APPAREIL.</b></p> |
|---|---|

## 1. INTRODUCTION

- Cet appareil, le serveur de buffet froid/chaud, est utilisé dans les lieux de service tels que les restaurants, les cafés, les bars, les établissements de restauration rapide, les hôtels, les hôpitaux et autres institutions publiques, etc. afin de conserver les aliments au froid et de les présenter dans le cadre d'un buffet.
- Ne pas utiliser cet appareil à d'autres fins.
- Le manuel qui contient les informations nécessaires au montage, à l'utilisation et à l'entretien de cet appareil doit être lu attentivement. Veuillez-vous assurer que le réseau électrique qui sera utilisé pour alimenter cet appareil doit être mis en place conformément aux réglementations locales par du personnel qualifié et qu'il doit également répondre aux critères de notre tableau technique.
- Avant de faire appel au service technique, nous vous demandons de tenir compte des instructions contenues dans le manuel. Si vous avez des questions concernant l'assemblage, l'utilisation ou l'entretien de cet appareil, veuillez appeler le service technique le plus proche de chez vous.

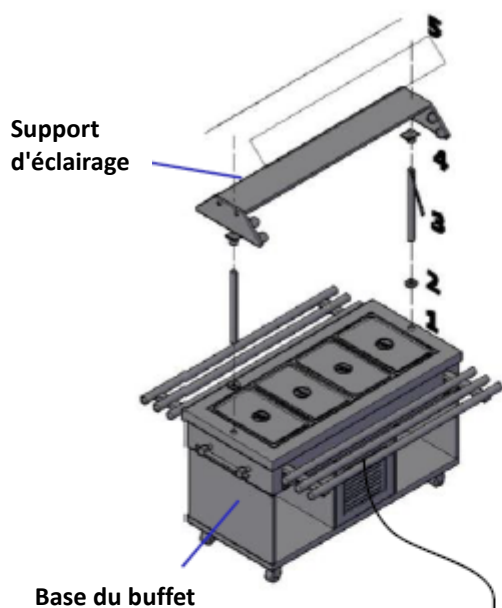
|   |   |
|---|---|
|  | <p><b>Afin de répondre à vos attentes et de maximiser les avantages de ce produit, nous vous rappelons de lire le manuel du produit et de le mettre à la disposition des autres utilisateurs.</b></p> |
|---|---|

## 2. TABLEAUX TECHNIQUES

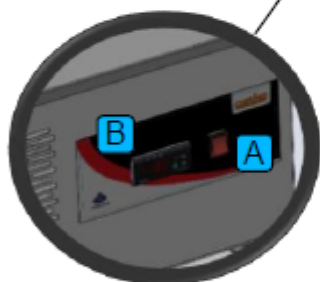
|                                       | BUFFET FROID                      |                                   |                                   | BUFFET CHAUD                       |                                    |                                    |
|---------------------------------------|-----------------------------------|-----------------------------------|-----------------------------------|------------------------------------|------------------------------------|------------------------------------|
|                                       | 7078.0005                         | 7078.0010                         | 7078.0015                         | 7078.0025                          | 7078.0030                          | 7078.0035                          |
| DIMENSIONS NETTES                     | 1200x700x<br>850/1350<br>mm       | 1500x700x<br>850/1350<br>mm       | 1900x700x<br>850/1350<br>mm       | 1200x700x<br>850/1350<br>mm        | 1500x700x<br>850/1350<br>mm        | 1900x700x<br>850/1350<br>mm        |
| PUISSANCE TOTALE<br>PUISSANCE         | 510 W                             | 510 W                             | 510 W                             | 3000 W                             | 3000 W                             | 3000 W                             |
| TENSION<br>D'ENTRÉE /<br>FRÉQUENCE    | 220-230V /<br>50Hz                | 220-230V /<br>50Hz                | 220-230V /<br>50Hz                | 220-230V /<br>50Hz                 | 220-230V /<br>50Hz                 | 220-230V /<br>50Hz                 |
| RÉFRIGÉRENT DE<br>REFROIDISSEMENT     | R290                              | R290                              | R290                              | -                                  | -                                  | -                                  |
| CLASSIFICATION<br>ÉLECTRIQUE IEEE     | 1                                 | 1                                 | 1                                 | 1                                  | 1                                  | 1                                  |
| PROTECTION IP                         | IP 21                             | IP 21                             | IP 21                             | IP 21                              | IP 21                              | IP 21                              |
| POIDS NET                             | 115 kg                            | 125 kg                            | 135 kg                            | 106 kg                             | 115 kg                             | 125 kg                             |
| CAPACITÉ DU<br>PLATEAU<br>ALIMENTAIRE | 3x 1/1 GN<br>(65mm de<br>hauteur) | 4x 1/1 GN<br>(65mm de<br>hauteur) | 5x 1/1 GN<br>(65mm de<br>hauteur) | 3x 1/1 GN<br>(100mm de<br>hauteur) | 4x 1/1 GN<br>(100mm de<br>hauteur) | 5x 1/1 GN<br>(100mm de<br>hauteur) |



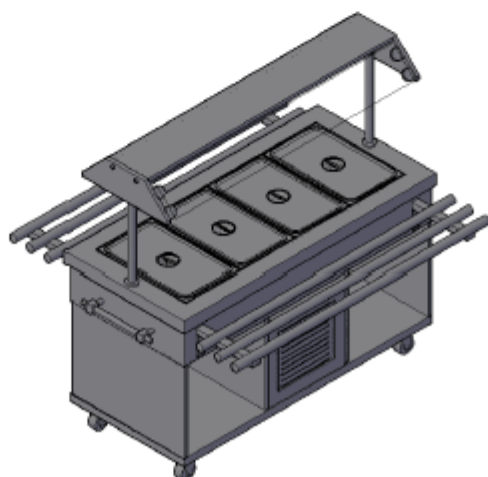
### 3. CONFIGURATION GÉNÉRALE - PANNEAU DE CONTRÔLE



1. Trou de montage
2. Capuchon chromé
3. Poteau en acier inoxydable
4. Adaptateur de connexion au poteau
5. Verre pare-haleine




- A. Interrupteur marche/arrêt et interrupteur d'éclairage  
B. Réglage de la température/ Thermorégulateur numérique




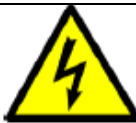




#### 4. TRANSPORT ET DÉPLACEMENT - ÉTIQUETTES D'AVERTISSEMENT DE SÉCURITÉ

|   |   |
|---|---|
|  | <b>Avant de déplacer l'appareil, assurez-vous que le câble d'alimentation est débranché d'une prise électrique.</b> |
|---|---|

- L'unité entièrement assemblée peut être déplacée manuellement sur ses roues. Assurez-vous que les freins des roues ne sont pas serrés avant de déplacer l'appareil.
- Évitez de déplacer l'appareil sur des surfaces irrégulières ou des pentes raides, car vous risqueriez de perdre le contrôle de l'appareil. Évitez également de heurter l'appareil et les pentes raides.

#### 5. ÉTIQUETTES D'AVERTISSEMENT DE SÉCURITÉ

| EMPLACEMENT DE LA TERRE   | COURANT ÉLECTRIQUE  | ENTRÉE INFO SUR LA PUISSANCE   | INFO D'AVERTISSEMENT GÉNÉRAL  |
|---|---|--|---|
|  |  |  |  |

#### VALEURS DE CONNEXION ÉLECTRIQUE

TENSION : 220 - 240 V

RACCORDEMENT AU RÉSEAU : MONOPHASÉ, AVEC MISE À LA TERRE

FRÉQUENCE : 50 Hz

#### 6. INSTRUCTIONS ET NORMES DE SÉCURITÉ

- Tout assemblage doit être effectué conformément aux normes en vigueur. Le fabricant n'est pas responsable des dysfonctionnements causés par une installation ou une utilisation défectueuse de l'appareil.
- Les points suivants doivent être vérifiés lors de l'assemblage, conformément aux lois et réglementations locales et aux instructions :
- Avant de brancher l'appareil, s'assurer que le réseau électrique et la prise de courant sont compatibles avec les exigences de l'appareil.
- S'assurer que le raccordement électrique est effectué conformément aux normes en vigueur. Le fabricant n'est pas responsable des dommages causés par un branchement électrique défectueux.
- Ne laissez pas de matériaux inflammables autour de l'appareil.
- Lorsque vous travaillez sur l'appareil ou que vous le vérifiez, assurez-vous que les interrupteurs électriques sont en position d'arrêt.
- Si un défaut électrique est détecté, contactez votre fournisseur de services local.
- Ne pas toucher ou manipuler l'appareil pendant la vérification de la présence d'un défaut électrique.
- Remplacer les composants défectueux par des pièces de rechange originales, approuvées par l'usine. La garantie du fabricant ne couvre que les appareils qui ont été réparés avec des pièces de rechange d'origine.
- Si vous détectez des défauts dans l'appareil, éteignez-le, débranchez le câble d'alimentation et contactez votre fournisseur de services local.
- Veillez à ce que l'appareil ne soit pas utilisé avant d'avoir été correctement réparé.
- Les réparations effectuées par des personnes autres que les techniciens de maintenance agréés peuvent endommager l'appareil.
- Toutes les réparations doivent être effectuées par des techniciens agréés. Dans le cas contraire, l'appareil ne sera plus couvert par la garantie d'usine.





**AVERTISSEMENT - BUFFETS FROIDS  
RISQUE D'INCENDIE OU D'EXPLOSION, FLUIDE  
FRIGORIGÈNE INFLAMMABLE UTILISÉ.  
L'ENTRETIEN ET LES RÉPARATIONS DOIVENT ÊTRE  
EFFECTUÉS PAR DU PERSONNEL QUALIFIÉ.**



## 7. SAMPLE DEVICE STICKER

|  |                                 |  |         |
|--|---------------------------------|--|---------|
|  | Product Name                    | Cold Service Trolley                                       | TR      |
|  | Model                           | SLD-311  |         |
|  | Dimension (mm)                  | 117X700X860/1390   |         |
|  | Power (kW)                      | 0,95   |         |
|  | Voltage(V)                      | 220-230V NPE**/50-60 Hz                                    |         |
|  | Current (Amper)                 | 1,5  |         |
|  | Supply Cable (mm <sup>2</sup> ) | 3x1,5  |         |
|  | Connection Type                 | CBE 7/7 (TYPE F) 16A                                       |         |
|  |                                 | TR, BG, CZ, DE, EE, FI, GR, LV, LT, PL, PT, RO, SE, SI, SK |         |
|  |                                 | www.athan.com.tr<br>athan@athan.com.tr                     |         |
|  | Product Date                    | 29/03/2019   |         |
|  | Serial Number                   | 00948  |         |
|  |                                 | CE   | SLD-311 |

a. MODÈLE DE PRODUIT

b. DIMENSIONS

c. PUISSANCE

d. TYPE DE CÂBLE

## 8. CONNEXION ÉLECTRIQUE - INSTRUCTIONS DE MONTAGE ET D'UTILISATION

1. Respectez les normes électriques du pays dans lequel vous vous trouvez lorsque vous connectez l'appareil à votre réseau électrique.
2. Assurez-vous que l'alimentation électrique de votre appareil est conforme à celle indiquée sur l'autocollant d'information de l'appareil.

## 9. ASSEMBLAGE

- 1 Retirer soigneusement l'appareil de son emballage.
  - 2 Avant d'allumer l'appareil pour la première fois, décollez le revêtement de protection en PVC de toutes les surfaces de l'appareil. Essayez les surfaces avec un chiffon humide suivi d'un chiffon sec.
  3. N'utilisez pas de produits chimiques ou de détergents contenant de l'alcool ou des solvants pour nettoyer l'appareil. N'utilisez que du savon doux ou du détergent avec de l'eau sur les surfaces en acier inoxydable. Sécher avec un chiffon propre.
- Avant la première utilisation de l'appareil, la procédure suivante doit être effectuée.
1. Si l'appareil a été déplacé récemment, ce qui a provoqué une instabilité du liquide réfrigérant dans le compresseur, ne pas mettre l'appareil en marche pendant une période de 3 heures.
  2. Lorsque l'appareil est prêt à fonctionner, il doit fonctionner avec des récipients GN vides recouvrant la cuve, pendant une période d'une heure avant que des aliments / denrées périssables puissent être placés dessus.

## 10. INSTRUCTIONS D'UTILISATION

1. Branchez le câble d'alimentation sur une prise électrique (220-240V). Une connexion à trois fils avec mise à la terre est nécessaire.
2. Placer l'interrupteur d'alimentation du panneau de commande en position ON.
3. Sur le thermostat numérique, tout en appuyant sur le bouton "SET", appuyez sur les flèches vers le haut ou vers le bas pour régler la température que vous souhaitez que le buffet atteigne. Lorsque vous relâchez le bouton "SET", le thermostat affiche la température actuelle à l'intérieur de l'appareil.
4. Lorsque le témoin lumineux est allumé, le moteur de refroidissement/élément de chauffage fonctionne.



5. Buffet froid : Pour que l'air frais se répande uniformément et efficacement à l'intérieur de l'appareil, utilisez des récipients GN pour couvrir l'ensemble de la cuve pendant le fonctionnement. Pour une efficacité maximale, ne pas faire fonctionner l'appareil s'il manque des récipients alimentaires.

Buffet chaud : le niveau d'eau peut être réglé par l'utilisateur. Étant donné qu'il y a une production rapide de vapeur à haute température, le niveau d'eau doit être réglé.

à haute température, le niveau d'eau doit être observé attentivement par l'utilisateur. Il faut s'assurer que la cuve contient suffisamment d'eau pour la fonction bain-marie et pour le bon fonctionnement et la sécurité de l'appareil.

6. Afin de conserver les aliments à la température réglée de manière uniforme et correcte, veuillez prendre soin de diviser les aliments en portions utilisables dans des récipients GN avant de les placer dans l'appareil.

7. Buffet froid : En cas d'accumulation d'eau due à la condensation sur le plateau inférieur, l'eau de la cuve peut être évacuée par le bouchon de vidange prévu à cet effet.

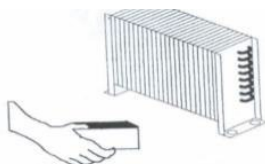
Buffet chaud : le réglage du chauffage doit être effectué de manière à maintenir les aliments au chaud ; l'appareil ne peut pas être utilisé pour la cuisson.

➤ Pour obtenir le meilleur rendement énergétique de l'appareil, les paramètres suivants doivent être pris en compte :

1. Ne laissez pas le dessus de la baignoire découvert pendant de longues périodes lorsqu'elle fonctionne.
2. Ne pas mettre d'aliments ou de boissons chaudes dans l'appareil.
3. Buffet froid : Régler le thermostat sur des températures plus basses (3 à 5°C recommandés).
4. Buffet froid : ne pas faire fonctionner l'appareil lorsqu'il est exposé à la lumière directe du soleil ou à des températures ambiantes élevées (température maximale recommandée de 25°C, humidité relative de 60%).
5. Buffet chaud : Ne pas faire fonctionner l'appareil lorsqu'il est exposé à des températures froides et que les aliments sont découverts sans couvercle. Cela pourrait entraîner des températures inégales dans les aliments.

## 11. NETTOYAGE

1. Débranchez le cordon d'alimentation de la prise avant de commencer le nettoyage.
2. Vous pouvez utiliser une éponge douce avec de l'eau chaude savonneuse pour nettoyer les surfaces de l'appareil en contact avec les aliments.
3. N'utilisez pas de nettoyeurs agressifs ou de produits chimiques toxiques pour nettoyer l'appareil.
4. N'utilisez pas d'eau sous pression pour nettoyer l'appareil.
5. Veillez à ce que l'eau ne pénètre pas dans l'armoire de commande/électrique située au bas de l'appareil lors du nettoyage.
6. Buffet froid : le condenseur doit être maintenu exempt de poussière et de débris. La poussière qui s'accumule sur le condenseur réduit l'efficacité de l'appareil et doit être nettoyée périodiquement à l'aide d'une brosse sèche.



### **AVERTISSEMENT !**

**Ne pas utiliser de produits inflammables ou dissolvants tels que l'essence, le diluant, les acides, etc.**



## 12. MAINTENANCE

### Hygiène

L'hygiène est un critère de travail essentiel pour les appareils utilisés dans les établissements de restauration. Veillez à l'hygiène de l'appareil et de l'environnement dans lequel il fonctionne.

### Maintenance

L'entretien périodique de cet appareil est prévu tous les 6 mois. Assurez-vous que tous les composants électriques sont opérationnels et que les composants mécaniques sont propres et intacts. Les éléments spécifiques suivants doivent être vérifiés :

- Fonctionnement du thermostat / réglage de la température
- Fonctionnement de l'élément chauffant situé sous le réservoir d'eau
- Le fonctionnement du ventilateur et l'absence d'obstacles sur les pales.
- Il n'y a pas d'éléments endommagés ou manquants qui pourraient affecter le bon fonctionnement de l'appareil.

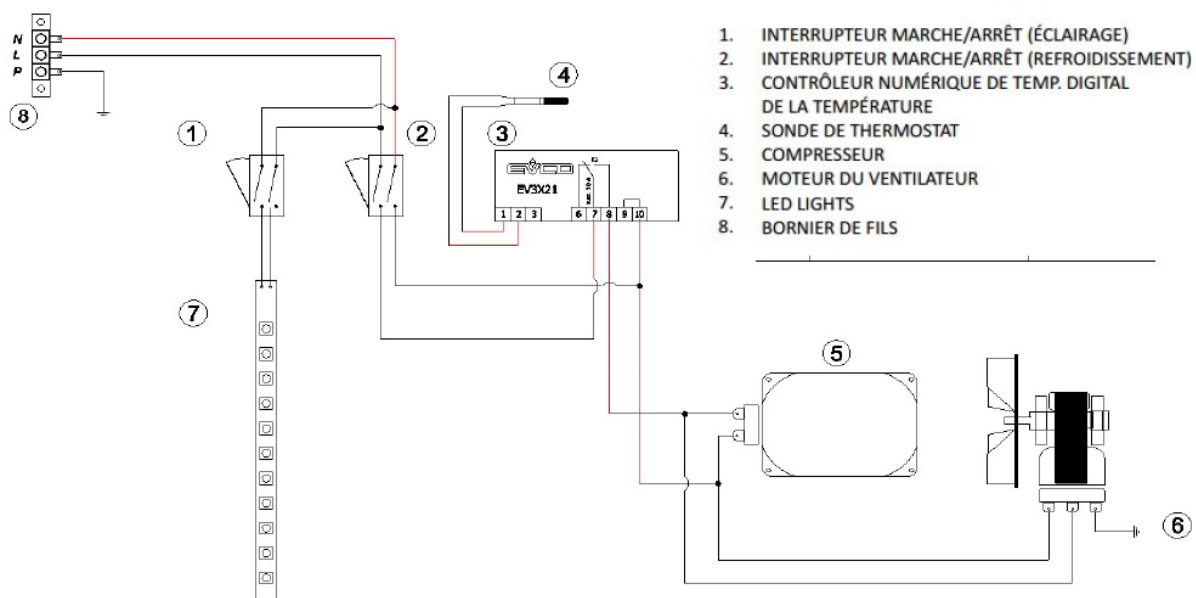
### Réparation

Les composants défectueux doivent être remplacés par des pièces de rechange originales, approuvées par l'usine. Le remplacement des composants et des pièces, le démontage et le remontage doivent être effectués par le fabricant ou un représentant autorisé du fabricant.

autorisé du fabricant. Toute réparation effectuée par une autre personne annulera la garantie de l'appareil.

## 13. SCHÉMA DU CIRCUIT ÉLECTRIQUE

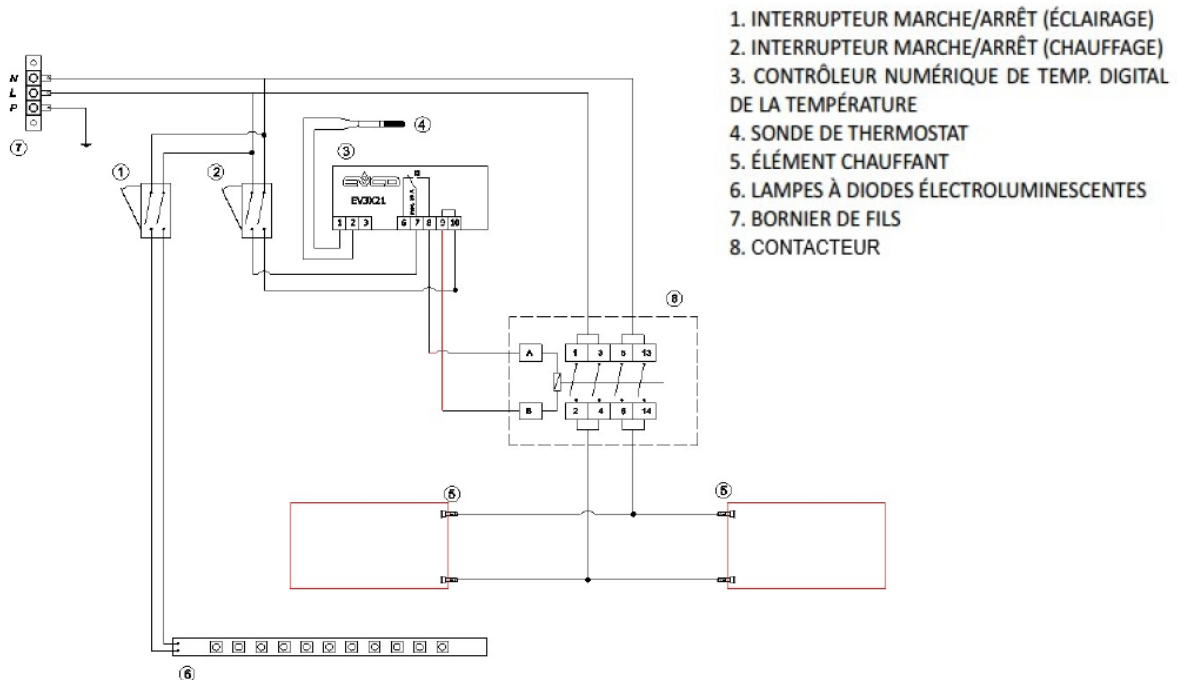
### Buffet froid







## Buffet chaud



*L'INTERVENTION EN CAS DE DYSFONCTIONNEMENT NE PEUT ÊTRE EFFECTUÉE QUE PAR UN REPRÉSENTANT AUTORISÉ DU FABRICANT. L'INTERVENTION DE TOUTE AUTRE PERSONNE EST INTERDITE ET **ANNULE LA GARANTIE DE L'APPAREIL.***

*POUR CETTE RAISON, NE LAISSEZ PERSONNE D'AUTRE QUE LES REPRÉSENTANTS AGRÉÉS DU SERVICE APRÈS-VENTE EFFECTUER DES TRAVAUX DE RÉPARATION OU DE REMPLACEMENT SUR L'APPAREIL.*

*LE FABRICANT N'EST PAS RESPONSABLE EN CAS DE TRAVAUX DÉFECTUEUX EFFECTUÉS PAR DES PERSONNES NON AUTORISÉES. TOUT COMPOSANT DE L'APPAREIL QUI N'EST PAS D'ORIGINE **ANNULERA LA GARANTIE DE L'APPAREIL.***





#### **CERTIFICAT DE GARANTIE LIMITÉE**

Le produit est garanti contre les défauts de matériaux, de production et d'assemblage, y compris tous les composants qui constituent le produit complet. Veuillez contacter votre revendeur local pour obtenir des informations détaillées sur la garantie.

#### **14. GARANTIE - COUVERTURE ET EXCLUSIONS**

Les défauts et les dommages résultant :

1. d'une mauvaise utilisation ou d'un mauvais entretien du produit, comme indiqué dans le manuel d'utilisation
2. chargement/déchargement, déplacement, déballage du produit après sa livraison au client.
3. une tension d'alimentation basse ou élevée irrégulière, des connexions non mises à la terre, des connexions défectueuses effectuées par des personnes autres que le personnel d'entretien autorisé, l'utilisation d'une tension autre que celle indiquée sur l'autocollant de l'appareil.
4. les causes extérieures telles que les inondations, les incendies, etc.
5. l'exposition à des produits chimiques et synthétiques destructeurs ; les dommages physiques accidentels, la négligence ; l'intervention de personnes non autorisées à la suite d'un dysfonctionnement ; toute mauvaise conduite ou utilisation ; tout dommage physique aux surfaces extérieures.
6. le raccordement à une alimentation en gaz dont les valeurs et les pressions sont différentes de celles indiquées sur l'autocollant de l'appareil et dans le manuel d'utilisation.
7. le raccordement à l'alimentation électrique avec des valeurs différentes de celles indiquées sur l'autocollant de l'appareil et dans le manuel de l'utilisateur.
8. sur les appareils utilisant du GPL, utilisation d'une soupape de sécurité haute pression avec des valeurs différentes de celles indiquées sur l'autocollant de l'appareil et dans le manuel de l'utilisateur.

... la garantie limitée ne s'applique pas à ces appareils.