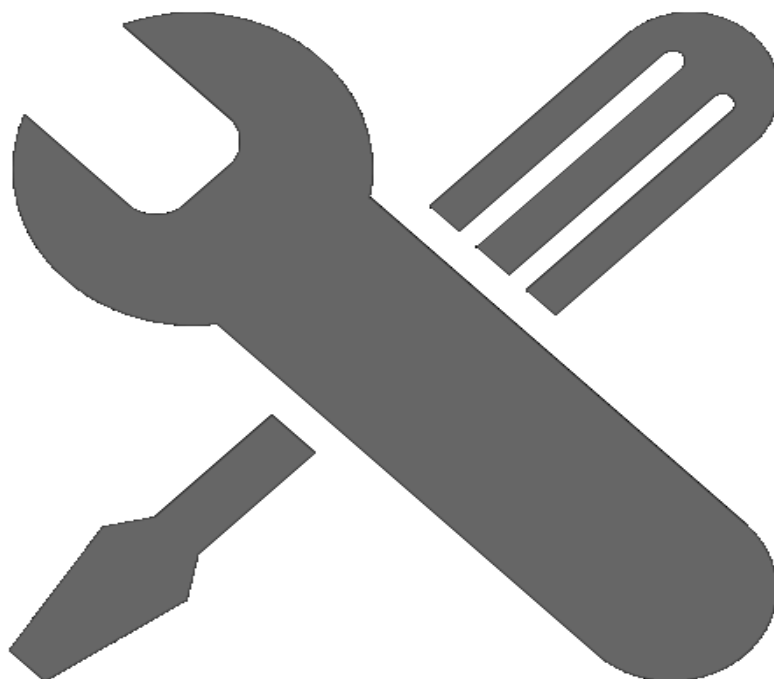




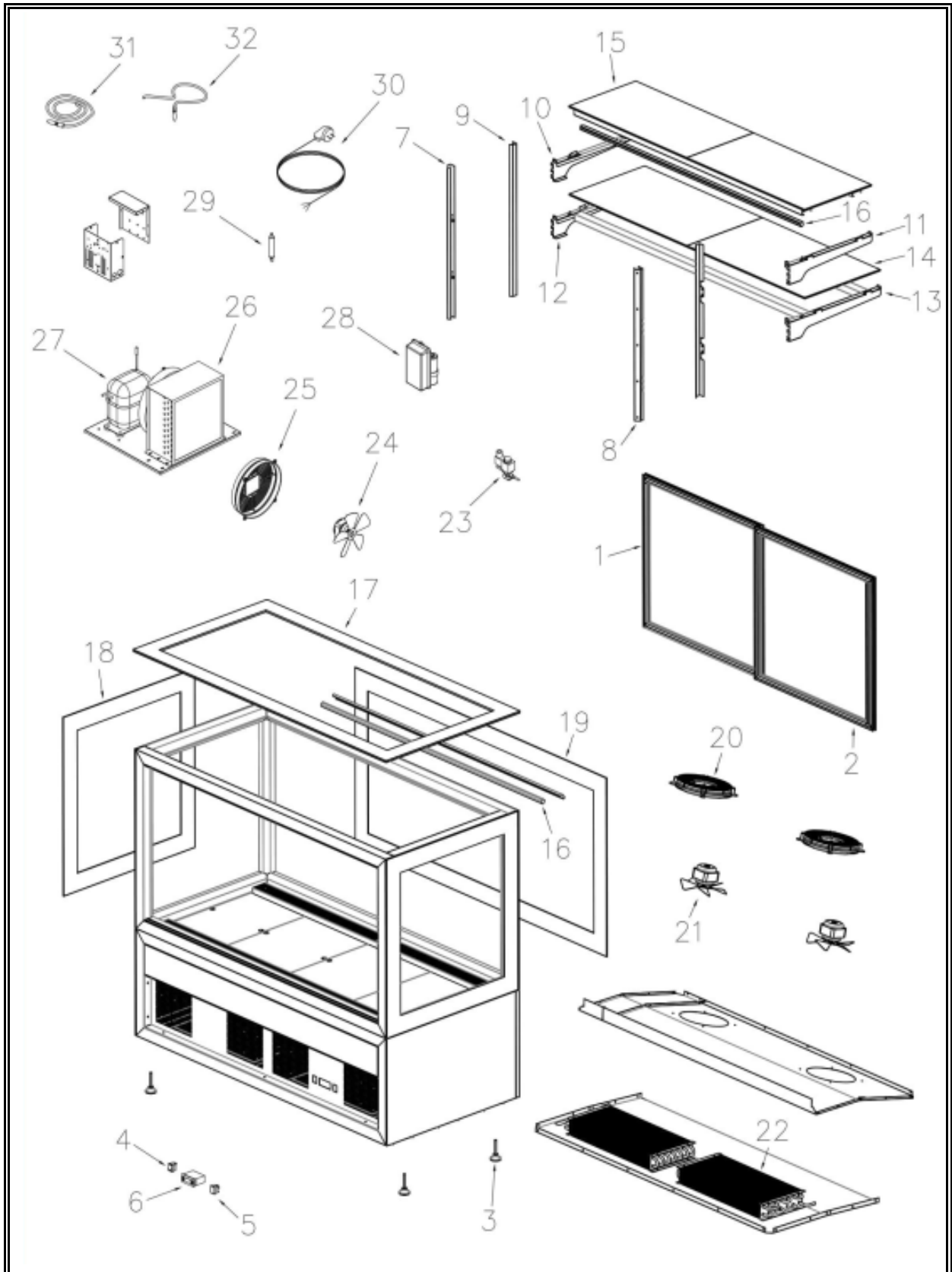
**7489.5465**

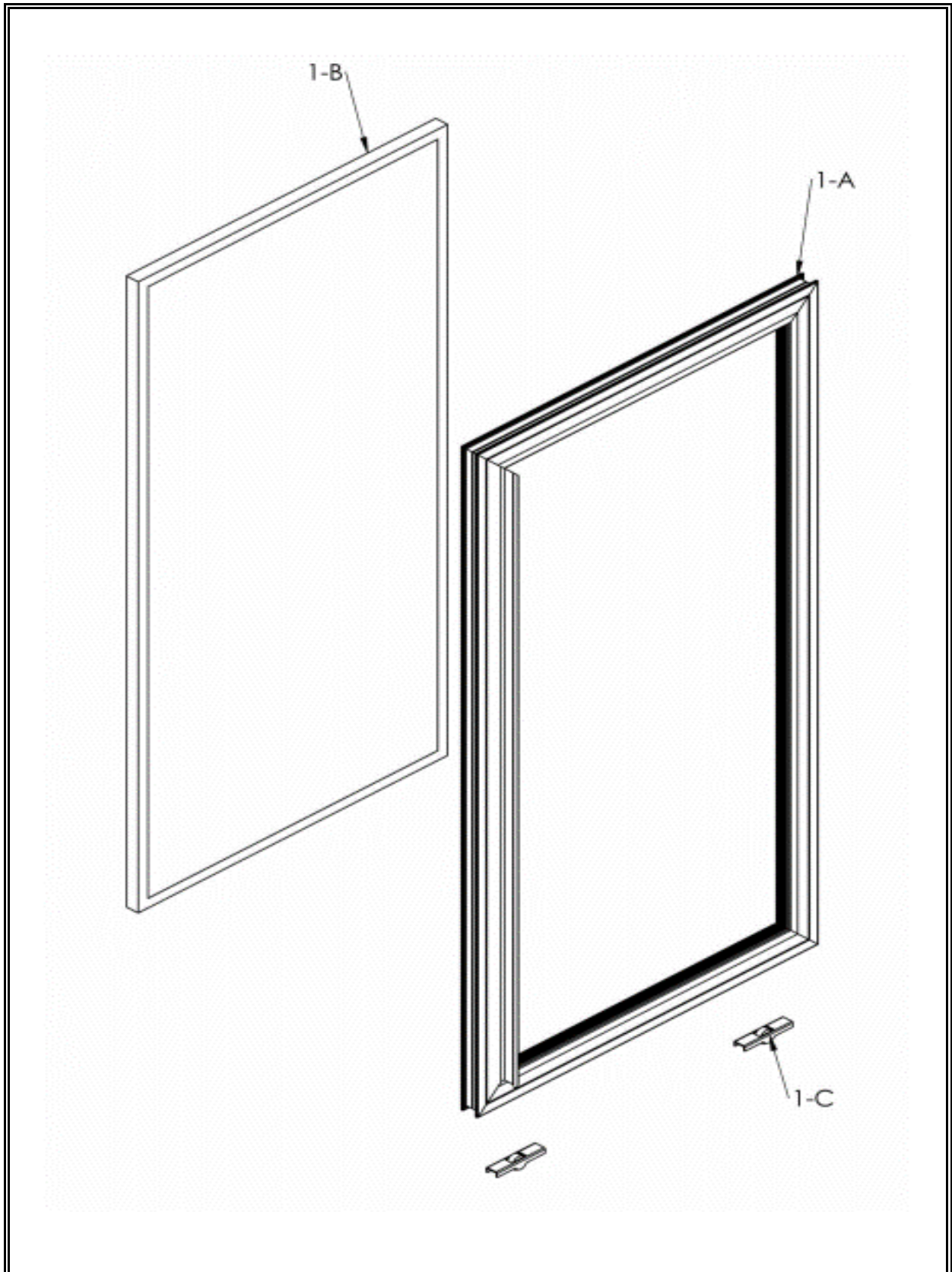
**R290**

Onderdelen informatie  
Erzatzteil information  
Spare part information  
Information de pièces









| POS: | Art.No.:    | Omschrijving:                        | Aantal: |
|------|-------------|--------------------------------------|---------|
| 1    |             | SLIDING DOOR LEFT - VTN160           | 1       |
| 1-A  |             | SLIDING DOOR PLASTIC - VTN160        | 1       |
| 1-B  |             | SLIDING DOOR GLASS - VTN160          | 1       |
| 1-C  |             | WHEEL - VTN                          | 2       |
| 2    |             | SLIDIING DOOR RIGHT - VTN160         | 1       |
| 3    |             | M12 ROTIL FOOT                       | 9       |
| 4    | CS9108.0254 | ON - OFF SWITCH                      | 1       |
| 5    | CS9113.0675 | POWER SWITCH                         | 1       |
| 6    |             | DIGITAL THERMOSTAT TWO PROPE(DIXELL) | 1       |
| 7    |             | SHELF STANDARD LEFT                  | 1       |
| 8    |             | SHELF STANDARD RIGHT                 | 1       |
| 9    |             | SHELF STANDARD COVER                 | 2       |
| 10   |             | SHELF GUIDE TOP LEFT                 | 1       |
| 11   |             | SHELF GUIDE TOP RIGHT                | 1       |
| 12   |             | SHELF GUIDE BOTTOM LEFT              | 1       |
| 13   |             | SHELF GUIDE BOTTOM RIGHT             | 1       |
| 14   |             | GLASS SHELF BOTTOM - VTN160          | 2       |
| 15   |             | GLASS SHELF TOP - VTN160             | 2       |
| 16   |             | LED - VTN160                         | 5       |
| 17   |             | BLACK TOP GLASS - VTN160             | 1       |
| 17   |             | WHITE TOP GLASS - VTN160             | 1       |
| 18   |             | BLACK SIDE GLASS - VTN160            | 2       |
| 18   |             | WHITE SIDE GLASS - VTN160            | 2       |
| 19   |             | BLACK REAR GLASS - VTN160            | 1       |
| 19   |             | WHITE REAR GLASS - VTN160            | 1       |
| 20   | CS9113.0225 | PLASTIC FAN COVERING GRILL           | 2       |
| 21   | CS9113.1525 | 10W ELCO FAN                         | 2       |
| 22   |             | EVAPORATOR 600 VTN 80                | 2       |
| 23   | CS9113.0595 | SOLENOID VALVE 1/4                   | 2       |
| 24   | CS9113.1525 | 10W ELCO FAN                         | 2       |
| 25   | CS9113.0230 | CONDENSER FAN PLASTIC                | 2       |
| 26   |             | VTN80 R290 CONDENSER WITHOUT FAN     | 2       |
| 27   | CS9113.2045 | COMPRESSOR NEK 6181 U 50HZ - R290    | 2       |
| 28   |             | RELAY BOX                            | 2       |
| 29   | CS9113.2410 | DRYER                                | 4       |
| 30   |             | PLUG CABLE                           | 1       |
| 31   | CS9390.2290 | PROBE                                | 1       |
| 32   | CS9181.2051 | PROBE                                | 1       |