



7482.0017

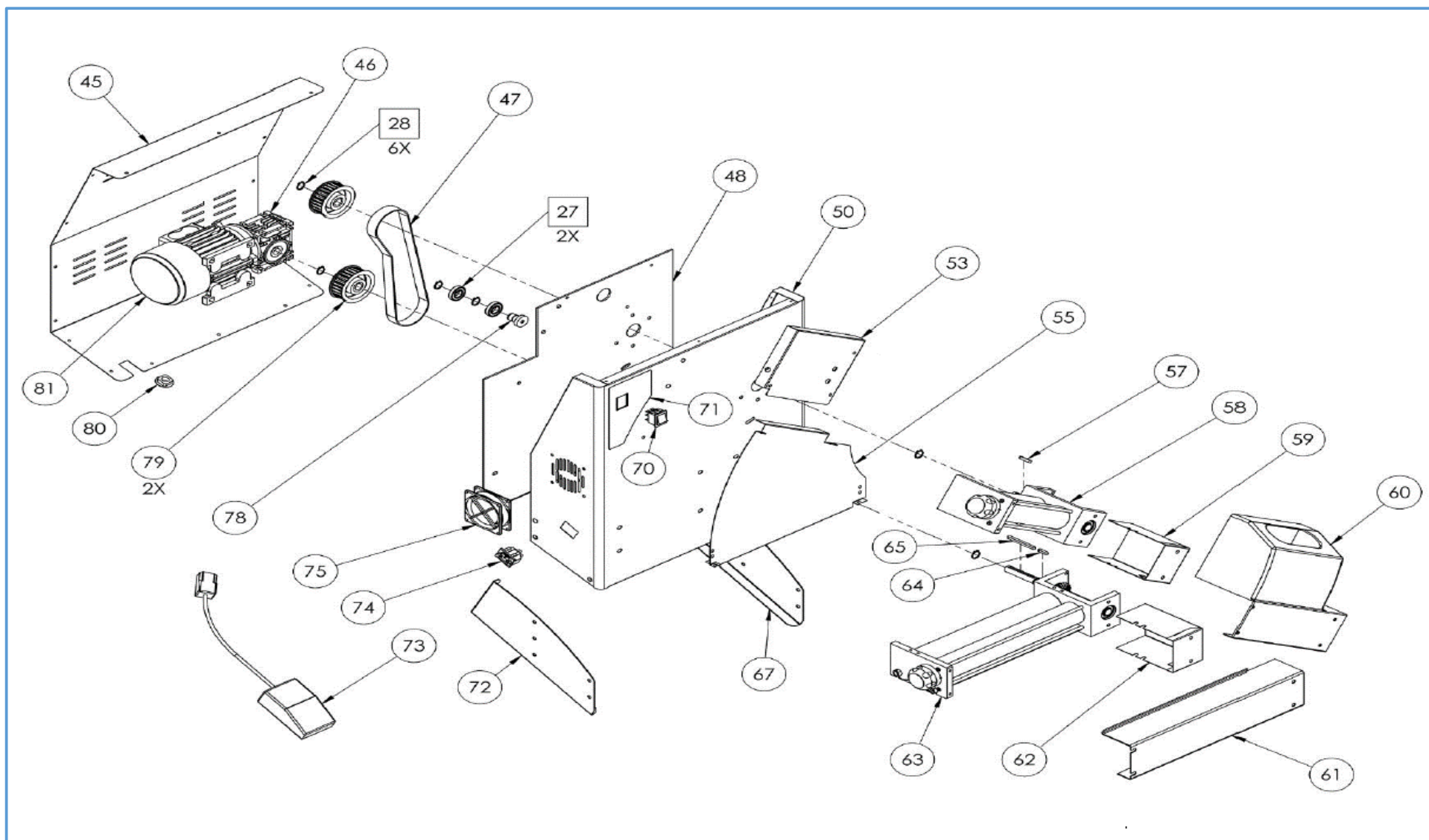
Onderdelen informatie

Erzatzteil information

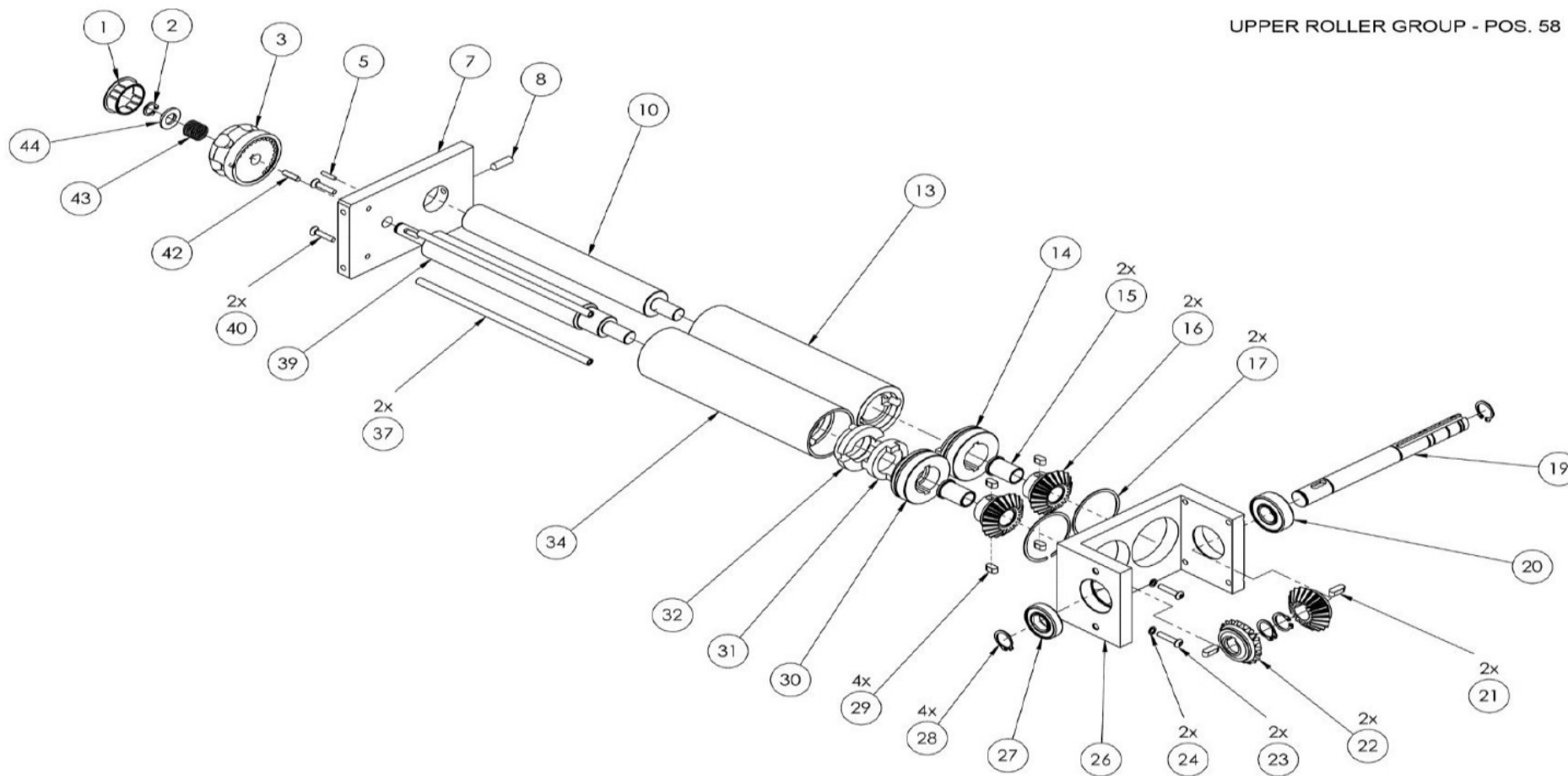
Spare part information

Information de pièces

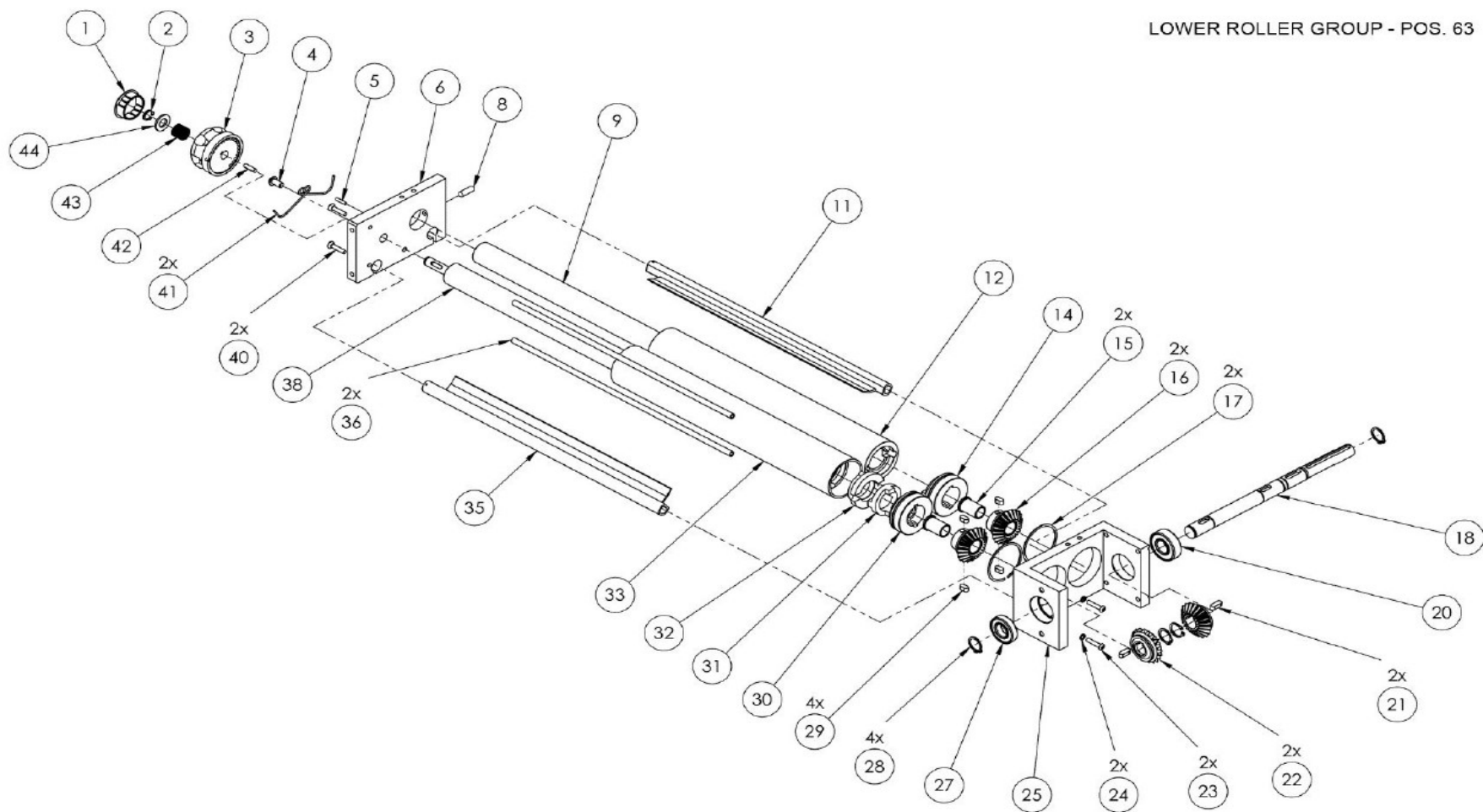




UPPER ROLLER GROUP - POS. 58



LOWER ROLLER GROUP - POS. 63



Onderdelenlijst 7482.0017

POS:	Art.No.:	Omschrijving:	Aantal:
1		PLUG STRAP	
2	9094.0510	SEEGER Ø10 UNI 7435	
3	9094.0340	KNOB CONTROL	
5		CILINDRIC SHEET 3X14	
6		LOWER ROLLERS SUPPORT	
7		UPPER ROLLERS SUPPORT	
9		LOWER CILINDRIC SHAFT 420	
10		LOWER CILINDRIC SHAFT 310	
11	9331.1085	BACK DOUGH SCRAPER 420	
12	9356.0120	LOWER CILINDRIC ROLLER 420	
13		UPPER CILINDRIC ROLLER 420	
17	9094.0435	ELASTIC RING	
18	9094.0355	LOWER MOTOR SHAFT	
19		UPPER MOTOR SHAFT RP	
20	9094.0440	KBC 6202 ZZ BEARING	
21	9094.0347	UNI 6604-A 5X5X14 KEY	
22	9094.0205	DRIVING GEAR	
25	9094.0300	LOWER GEARS SUPPORT	
26		UPPER GEARS SUPPORT RP	
27	9094.0445	16002 ZZ BEARING	
28	9094.0455	SEEGER Ø15 UNI 7435	
31	9094.0238	MALE COUPLING	
32	9094.0240	FEMALE COUPLING	
33		LOWER ECCENTRIC ROLLER 420	
34		UPPER ECCENTRIC ROLLER 310 RP	
35	9331.1086	FRONT DOUGH SCRAPER 420	
36		LOWER STAY ROD 420	
37		LOWER STAY ROD 310	
38		LOWER ECCENTRIC SHAFT 420	
39		LOWER ECCENTRIC SHAFT 310	
41	9094.0430	DOUGH SCRAPER SPRING	
42	9094.0348	UNI 6604-A 4X4X15 KEY	
43	9094.0400	KNOB REGULATION SPRING	
45	9094.0590	BACK COVER 420 NEW	
46		NMRV30 REDUCER	
47	9356.0101	310 ROLL MACHINE BELT	
48		420 RP NEW PLATE	
50		420 RP NEW CHASSIS	
53		420 RP UPPER SLIDE	
55		420 RP NEW LOWER SLIDE	
57	9094.0346	UNI 6604-A 5X5X20 KEY	
58		420 RP NEW UPPER ROLLER GROUP	
59		UPPER PROTECTION GEAR SUPPORT RP	
60	9094.0275	420 RP UPPER PROTECTION	
61	9094.0285	420 LOWER PROTECTION	
62		PROTECTION GEAR SUPPORT	
63		420 NEW LOWER ROLLER GROUP	

Onderdelenlijst 7482.0017

POS:	Art.No.:	Omschrijving:	Aantal:
64	9094.0346	UNI 6604-A 5X5X20 KEY	
65	9094.0345	UNI 6604-A 5X5X60 KEY	
67		DX FOOT 420 NEW	
70	9094.0425	SWITCH	
72		SX FOOT 420 NEW	
73		PEDAL	
74		PEDAL POWER	
75	9094.0410	230V FAN	
78		ROLL MACHINE HOLDING BELT	
79		ROLL MACHINE PULLEY	
80		Ø 6-10,5 CABLE PRESS	
81		ROLL MACHINE MOTOR 0,25KW 230V	
Ass	9094.0245	COMPLETE ECCENTRIC DUCT GEAR	
30		ECCENTRIC GEAR HUB	
16	9094.0200	STEEL DUCT GEAR	
15	9094.0600	BUSH	
29 (2x)		UNI 6604-A 5X5X10 KEY	
Ass	9094.0246	COMPLETE CYLINDRICAL DUCT GEAR	
14		CYLINDRICAL GEAR HUB	
16	9094.0200	STEEL DUCT GEAR	
15	9094.0600	BUSH	
29 (2x)		UNI 6604-A 5X5X10 KEY	