



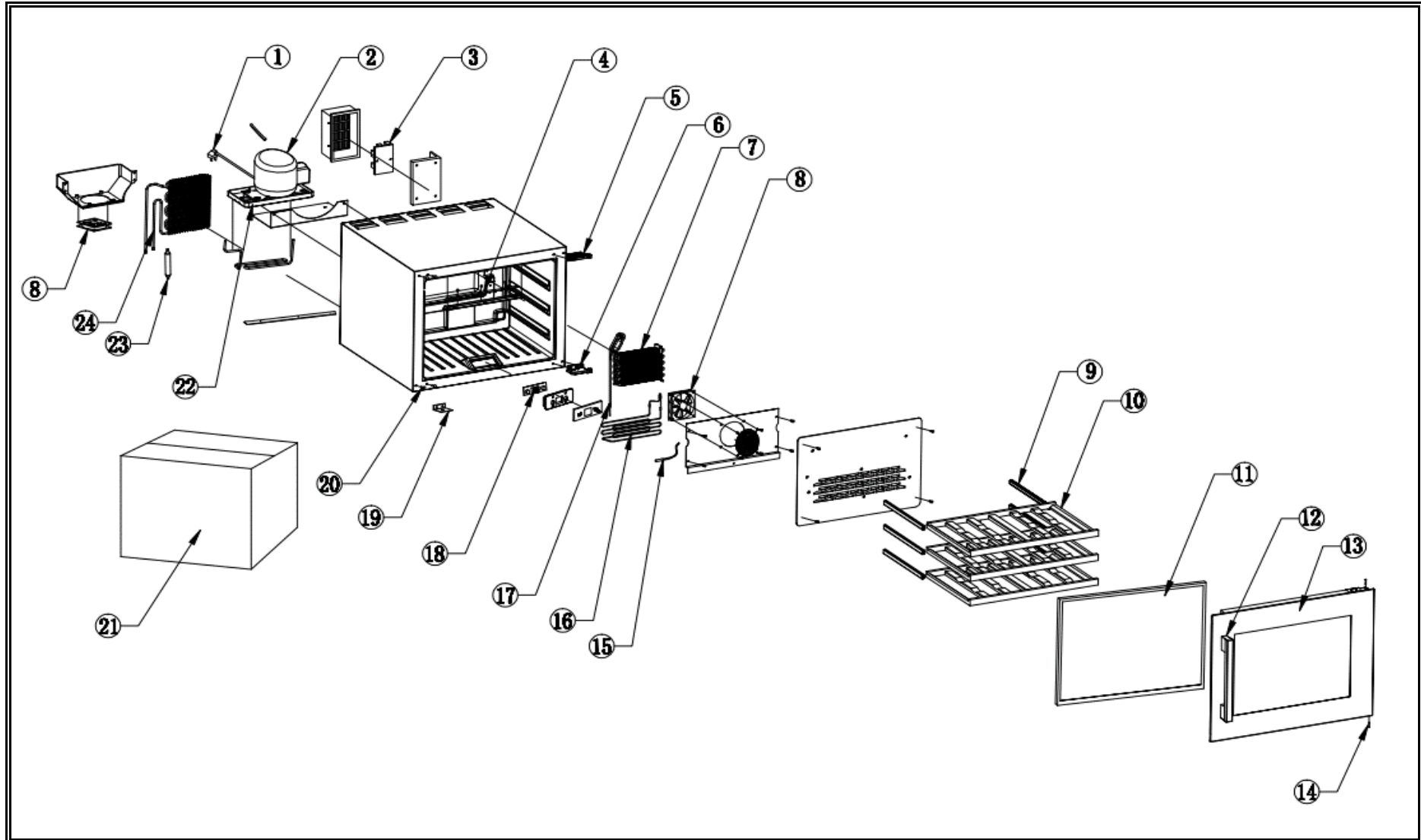
**7525.0020**

**V1.1**

Onderdelen informatie  
Erzatzteil information  
Spare part information  
Information de pièces







| POS: | Art.No.:    | Omschrijving:        | Aantal: |
|------|-------------|----------------------|---------|
| 1    | CS9392.0830 | Power cord           | 1       |
| 2    | **          | Compressor           | 1       |
| 3    | CS9338.4952 | Control board        | 1       |
| 4    | CS9338.4908 | LED light            | 1       |
| 5    | CS9338.4938 | Top hinge module     | 1       |
| 6    | CS9338.4940 | Lower hinge module   | 1       |
| 7    | CS9338.5056 | Evaporator           | 1       |
| 8    | CS9338.4922 | Evaporator fan       | 2       |
| 9    | **          | Sliding rail         | 6       |
| 10   | **          | Wooden shelf         | 3       |
| 11   | CS9338.4934 | Gasket               | 1       |
| 12   | CS9338.4936 | Handle               | 1       |
| 13   | **          | Door                 | 1       |
| 14   | CS9338.4942 |                      | 1       |
| 15   | CS9338.4914 | Senser               | 1       |
| 16   | CS9338.5076 |                      | 1       |
| 17   | **          | Air-circulating pipe | 1       |
| 18   | CS9338.5082 | White display board  | 1       |
| 18A  | CS9338.5084 | Electronic Board     | 1       |
| 19   | **          | Install fixing piece | 1       |
| 20   | CS9338.5002 | Decorative nail      | 4       |
| 21   | **          | Carton               | 1       |
| 22   | **          | Water tank           | 1       |
| 23   | **          | Dryer filter         | 1       |
| 24   | **          | Condenser            | 1       |