



DEEP FAT FRYER W/ GAS, COUNTER TOP

7178.0080



Model : _____

Item : _____

Name: _____

Main Features

- Accessible security switches
- Operating temperature range (0-180 ° C)
- Operation and heating temperature control lights
- Single or double tank options
- Stainless steel baskets
- Thermostat controlled heating
- Operation and heating control indicator lights
- Operation and heating temperature control lights
- Piezo spark ignition
- Scratch-proof enamelled back iron cast chimney
- Single or double container models
- Single or double tank options
- Stainless steel baskets
- Stainless steel tube heaters (For electrical products)

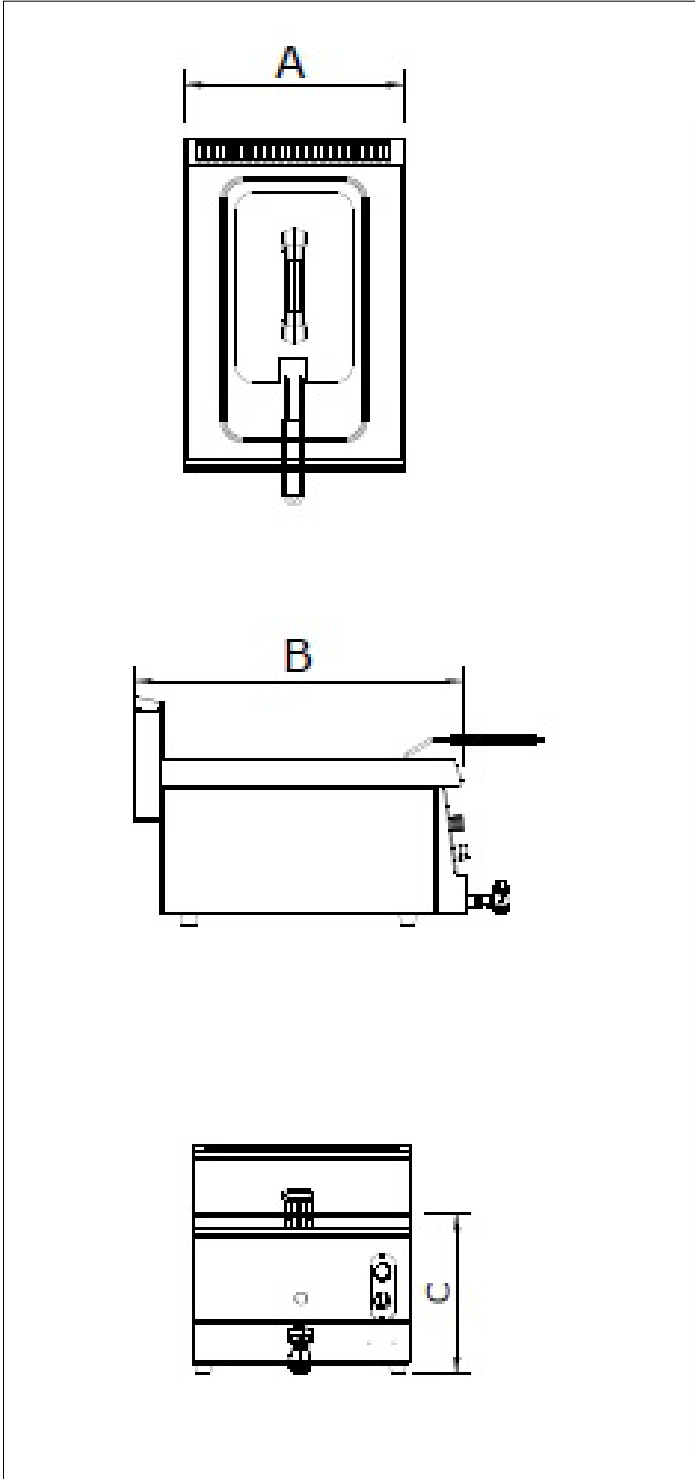
Short Form Specification

Construction

APPROVAL: _____



7178.0080



Code	7178.0080
Width (A)	400
Depth (B)	600
Height (C)	300
Gross Weight (kg)	24,5 kg
Gross Volume (m3)	0,15 m3
Gas Inlet	R . 1/2"
Electrical Inlet	
Power	6 kW
Capacity	8 lt