

CombiSteel

7280.0060

2023

v1.0

Onderdelen informatie

Erzatzteil information

Spare part information

Information de pièces

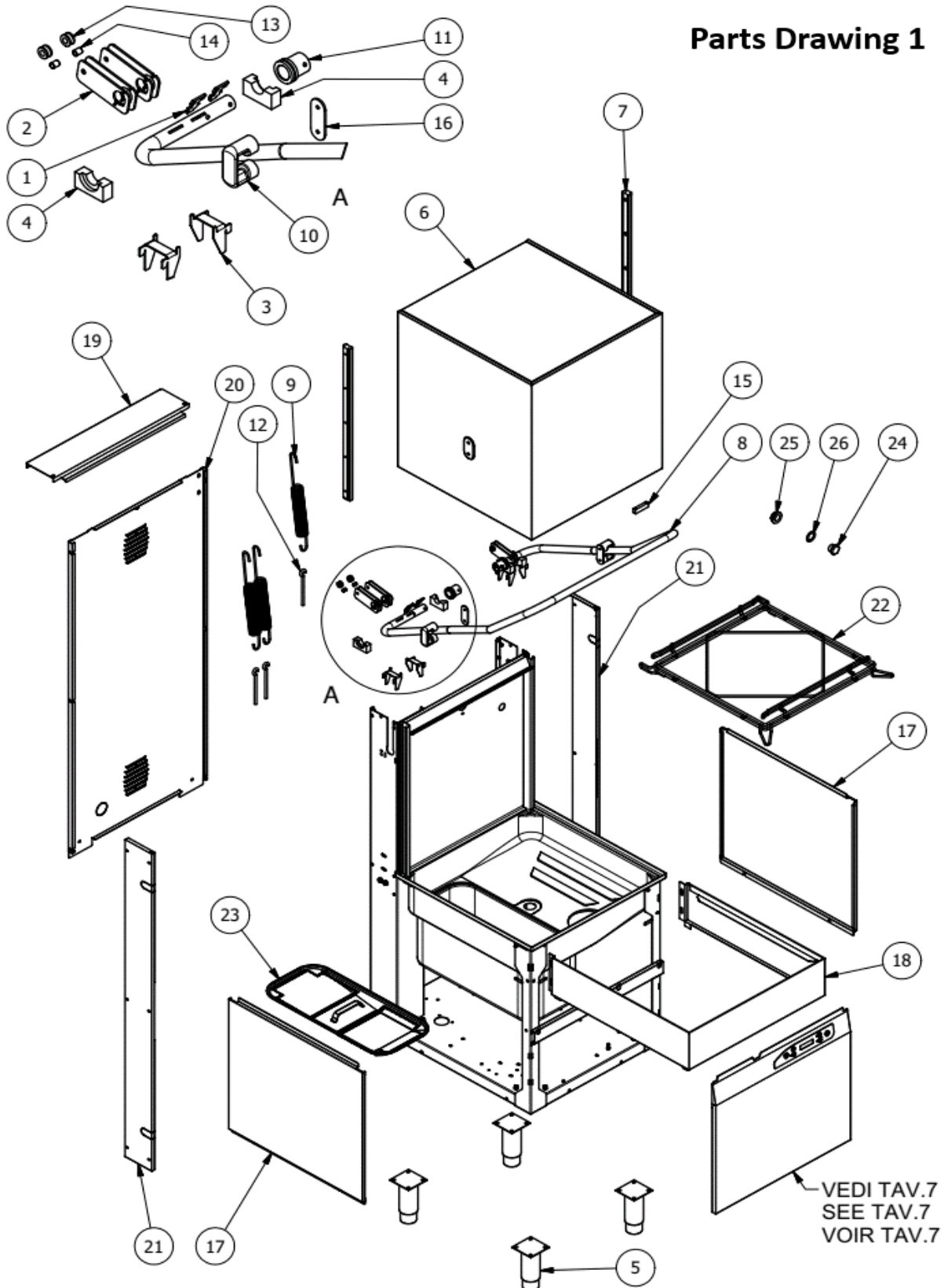


CombiSteel

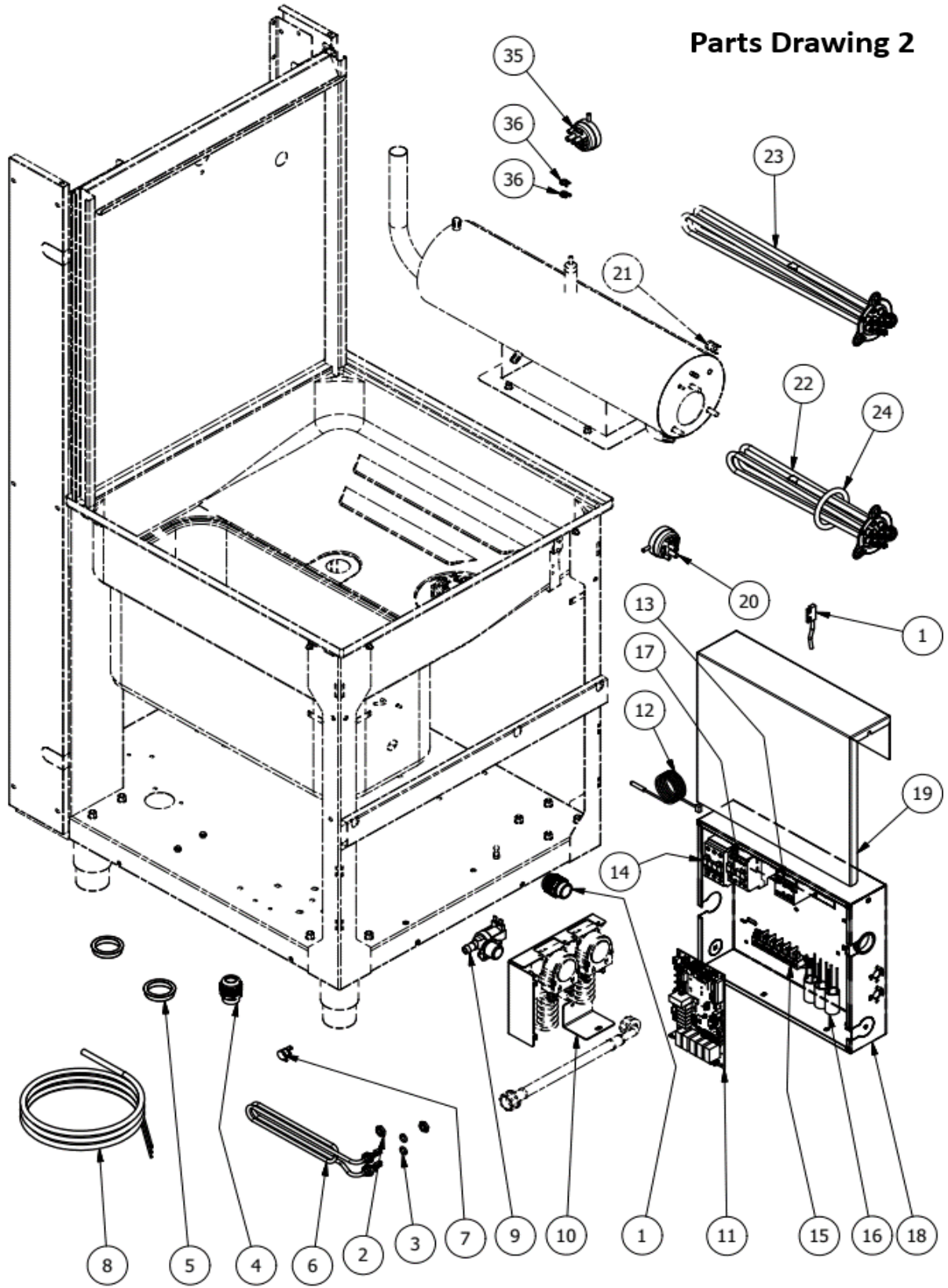
7280.0060



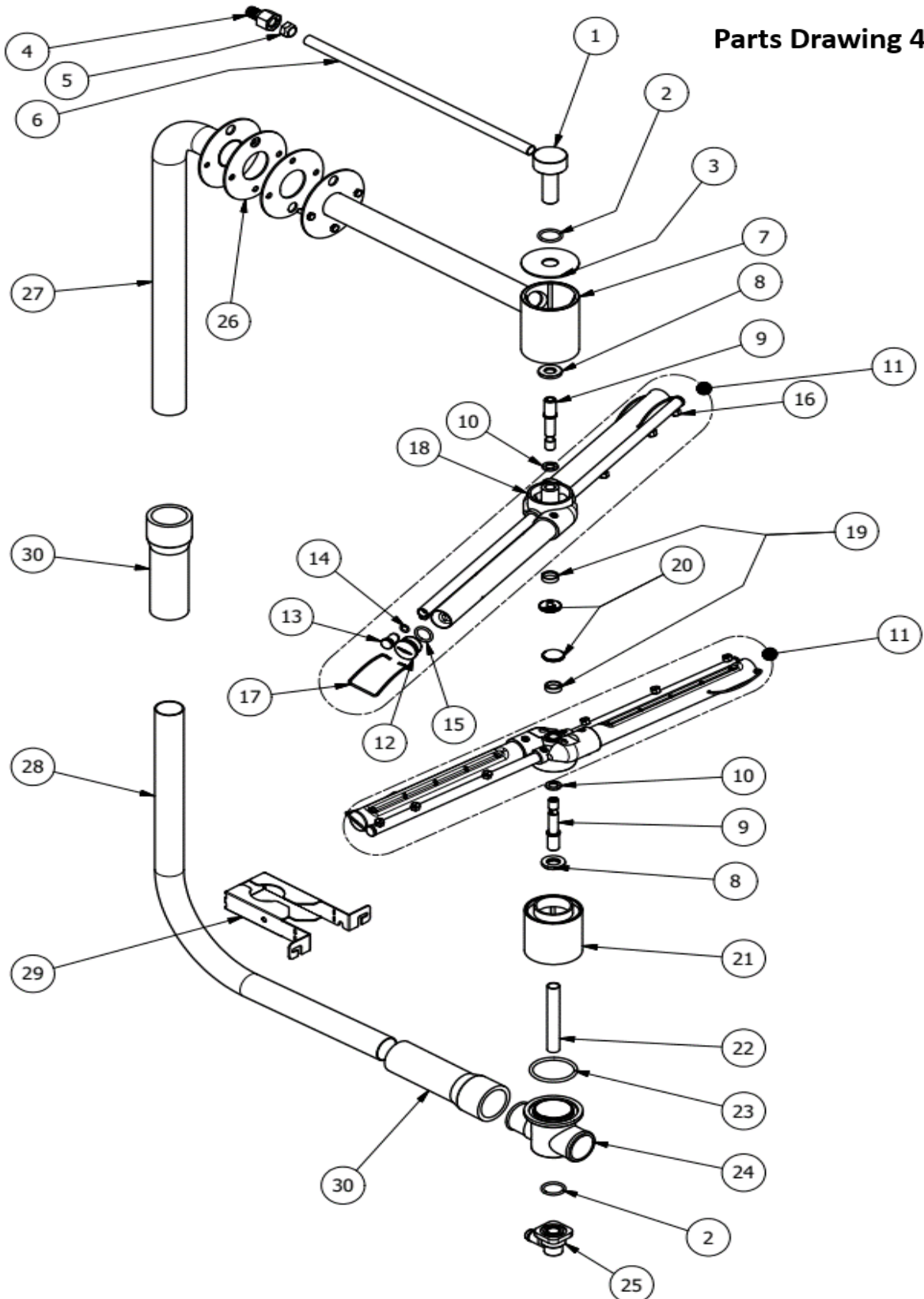
Parts Drawing 1



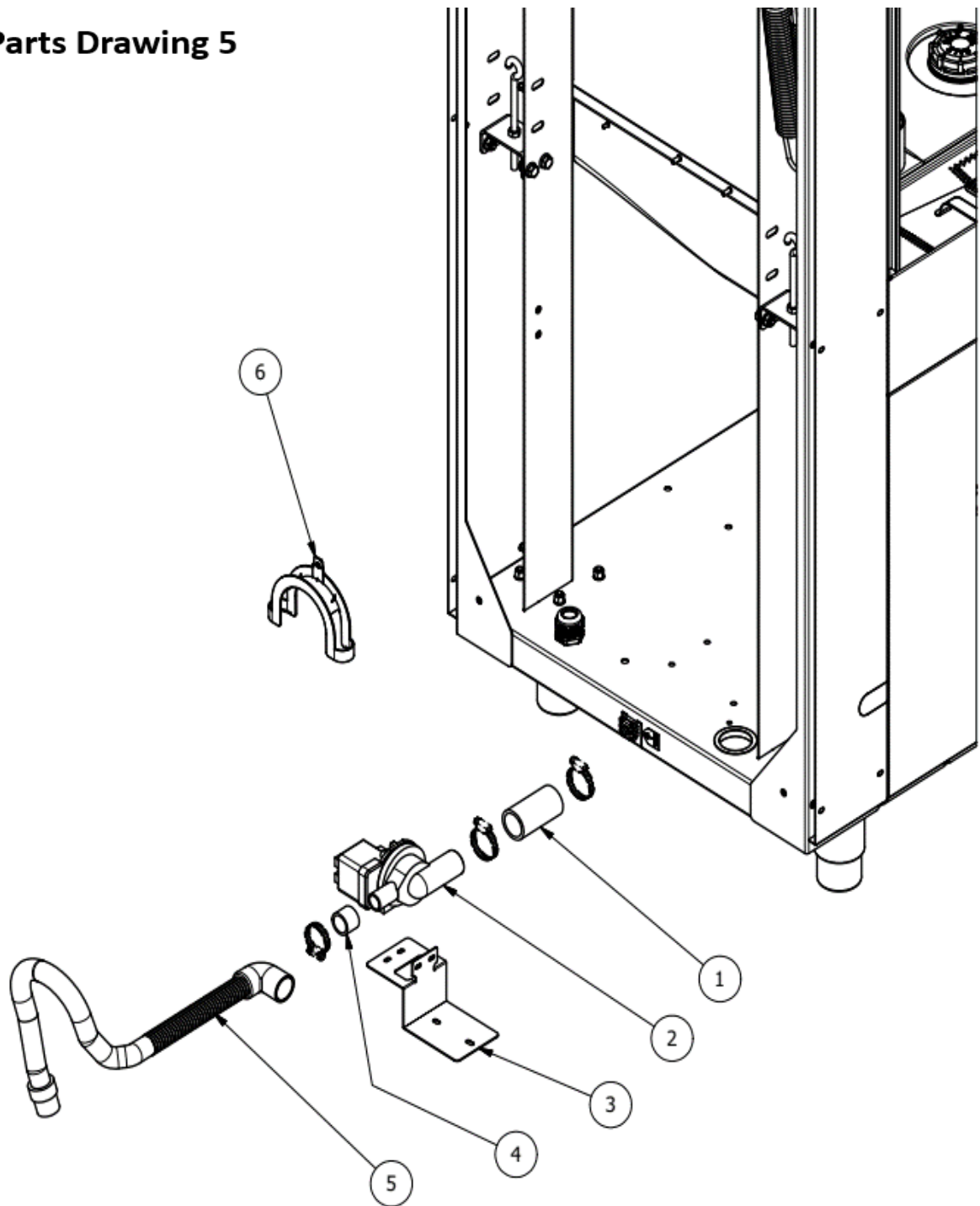
Parts Drawing 2



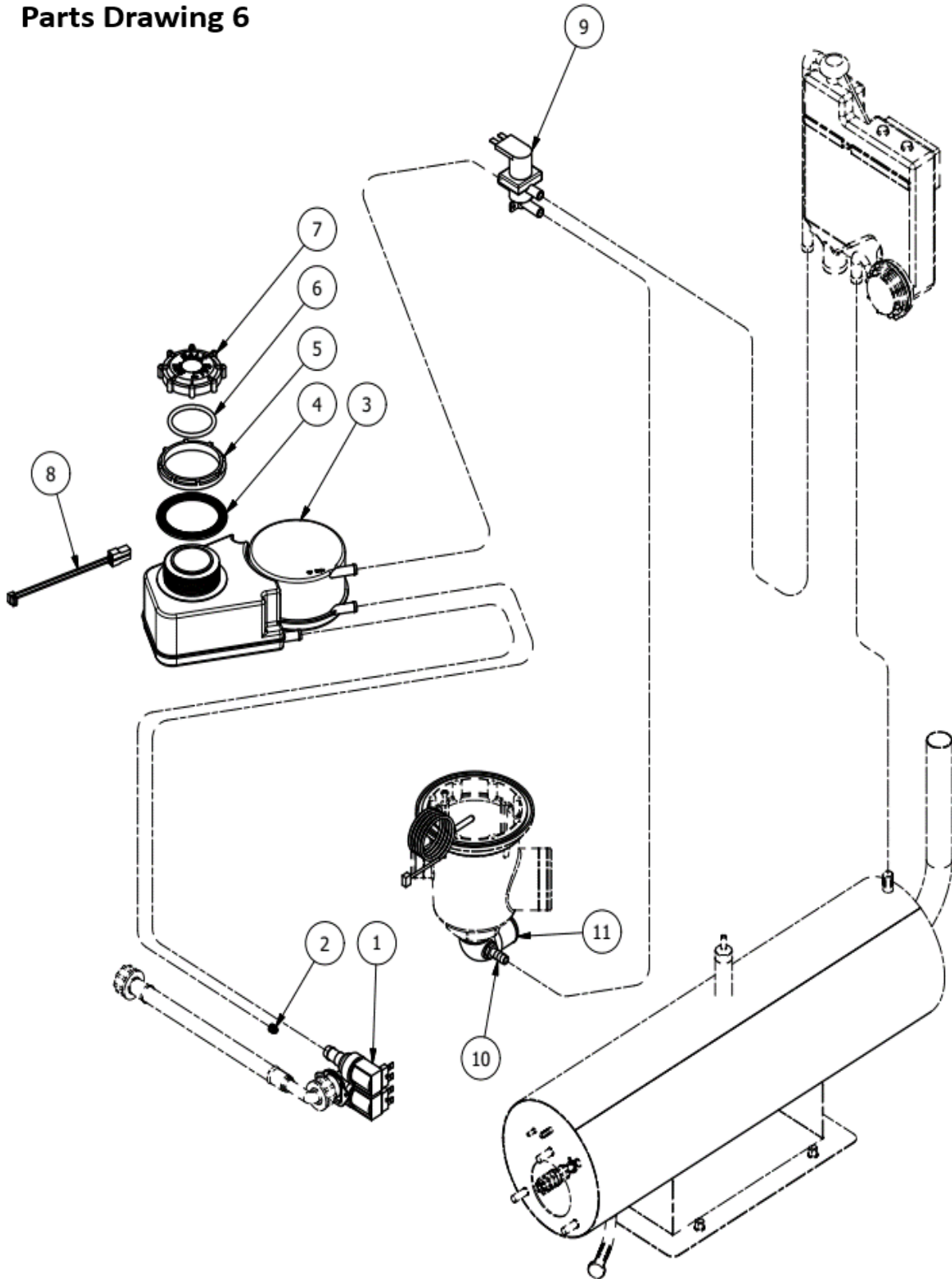
Parts Drawing 4



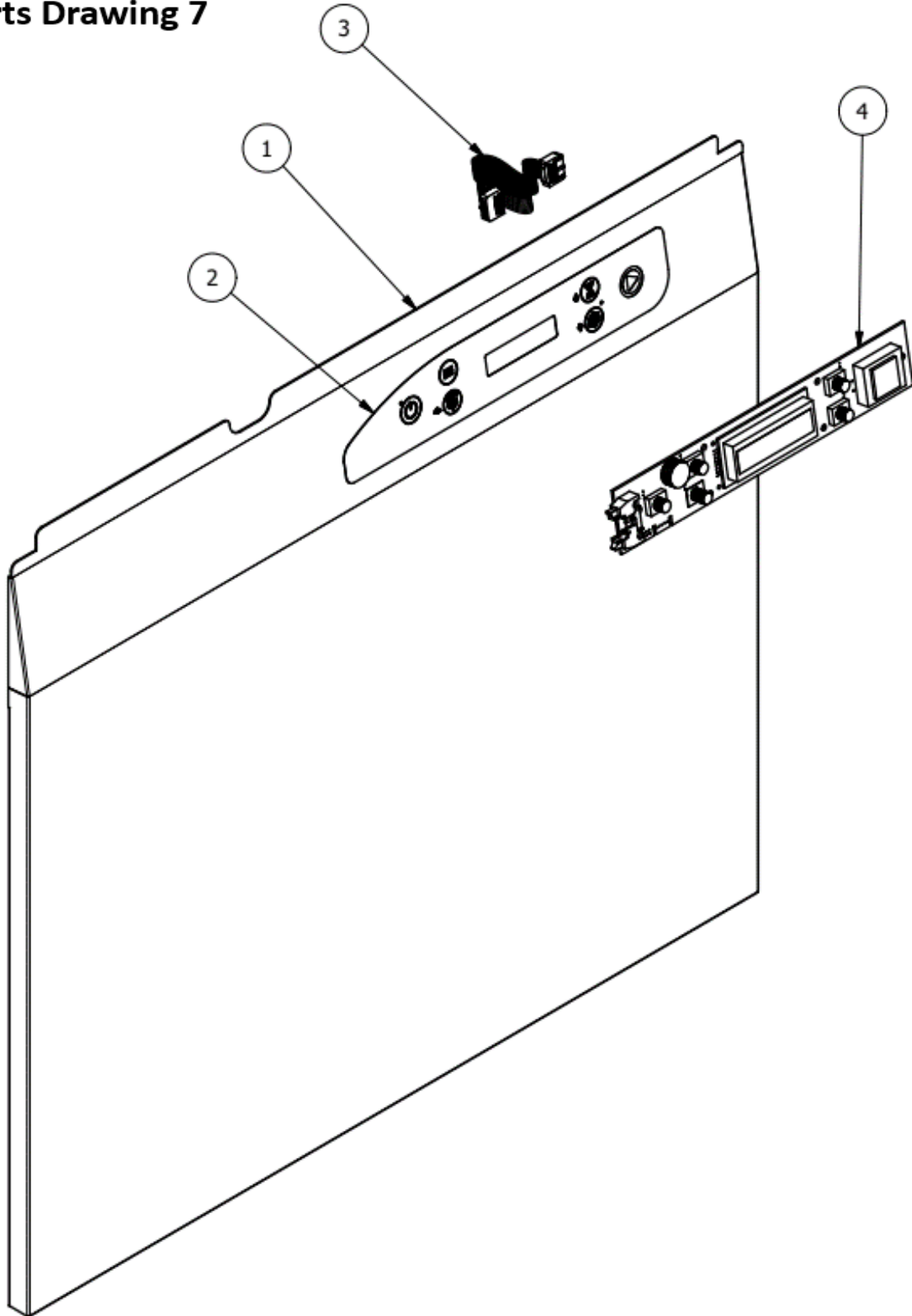
Parts Drawing 5



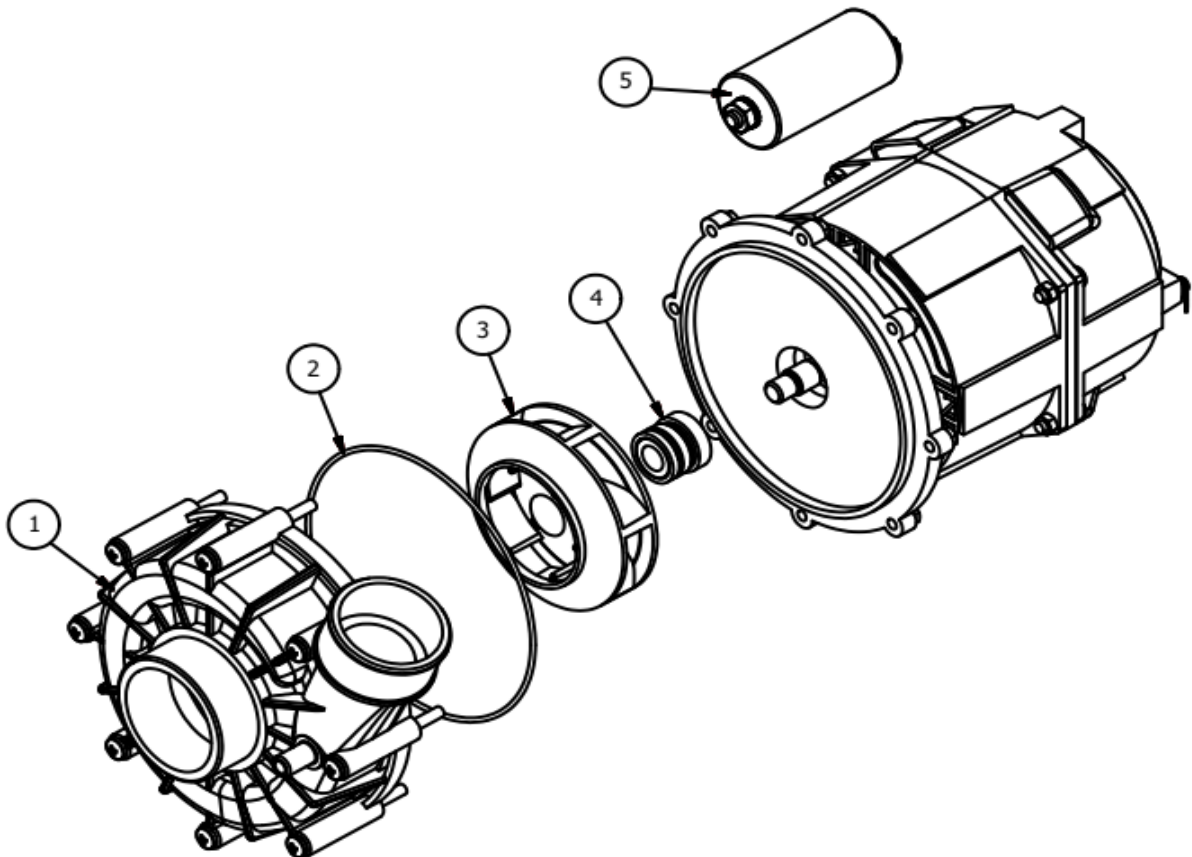
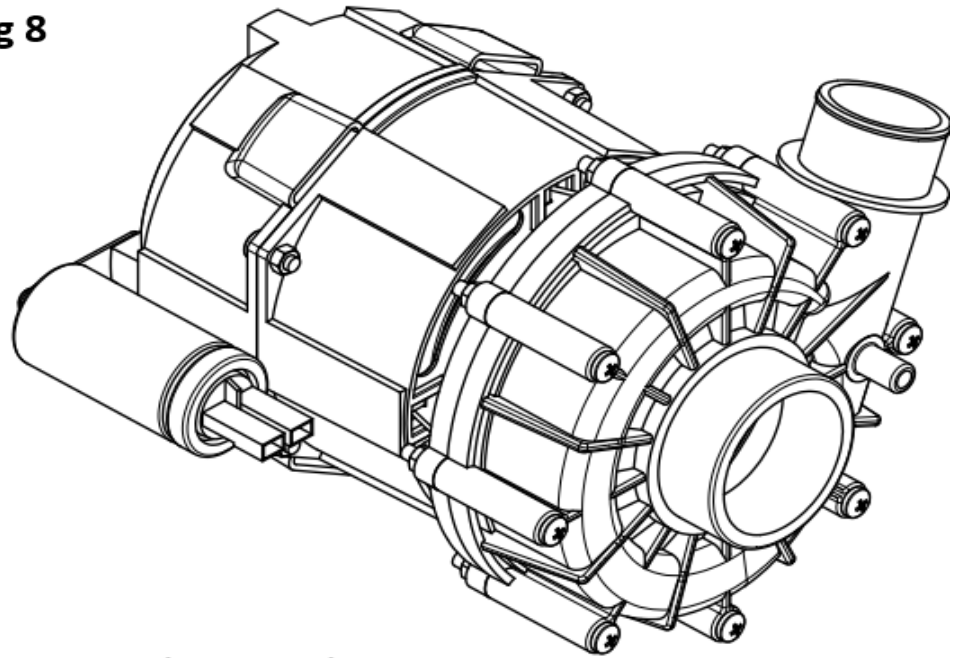
Parts Drawing 6



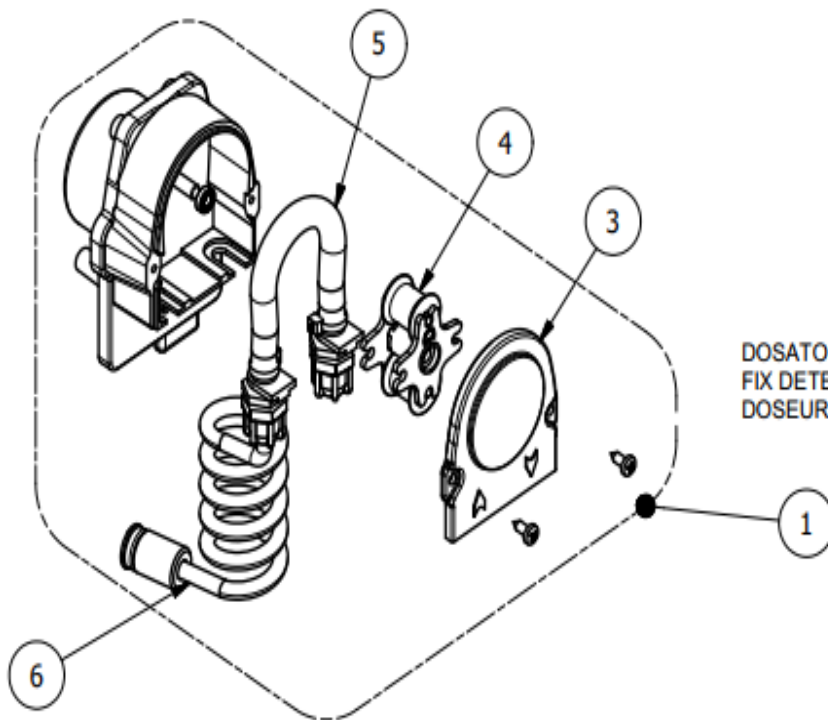
Parts Drawing 7



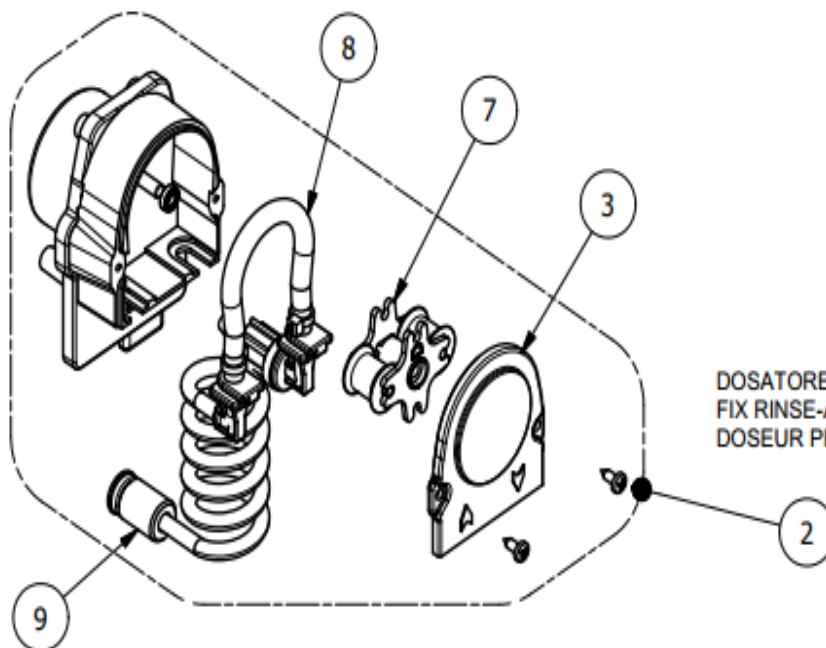
Parts Drawing 8



Parts Drawing 9



DOSATORE DETERSIVO FISSO
FIX DETERGENT DISPENSER
DOSEUR PRODUIT DE LAVAGE FIXÉ



DOSATORE BRILLANTANTE FISSO
FIX RINSE-AID DISPENSER
DOSEUR PRODUIT DE RINCAGE FIXÉ



Onderdelenlijst 7280.0060

POS:	Art.No.:	Omschrijving:	Aantal:
1-1		SPRING PLATE LOCK	
1-2		SPRING PLATE	
1-3		HANDLE FIXING PLATE	
1-4	CS9136.2877	HANDLE SUPPORT	
1-5	CS9136.2626	ADJUSTABLE FEET	
1-6		SINGLE SKINNED HOOD ASSY	
1-6A		DOUBLE SKINNED HOODASSY (OPT)	
1-7	CS9136.2878	RAIL GUIDE	
1-8	CS9136.3152	HOOD LIFT HANDLE	
1-9	CS9136.0705	TRACTION SPRING (*)	
1-10	CS9136.2935	GUIDE FOR HOOD LIFTHANDLE	
1-11	CS9136.2925	BUSHING FOR HOOD LIFTHANDLE	
1-12	CS9136.1753	HOOK M8x120	
1-13	CS9136.0713	SPRING ROLLER	
1-14	CS9136.0712	SLEEVE BEARING	
1-15	CS9136.3090	MAGNETIC UNIT (*)	
1-16		INTERNAL PLATE	
1-17		SIDE PANEL RH-LH	
1-18		TANK COVER BAND	
1-19		UPPER PANEL	
1-20		REAR PANEL	
1-21		ROOF PANEL RH-LH	
1-22	CS9136.2997	BASKET FRAME ASSY	
1-23	CS9136.2939	TANK FILTER	
1-24		CAP 3/4" PP	
1-25		THREADED RING FOR CAP3/4" PP	
1-26	CS9136.0837	RUBBER GASKET	
2-1	CS9136.2706	MICRO SWITCH (*)	
2-2	CS9136.0162	M10 BRASS NUT	
2-3	CS9136.0260	OR 112	
2-4	CS9136.0206	PG 21 CABLE CLAMP	
2-5		CABLE GUIDE	
2-6	CS9136.2938	RESISTANCE 230V 2.8kW (*)	
2-7	CS9136.1075	MANUAL RESET SAFETYTHERMOSTAT (*)	
2-8	CS9136.0534	POWER CABLE 5G 4	
2-9	CS9136.0193	SINGLE SOLEN. VALVE 90°230V (*)	
2-10	CS9136.2869	DETERGENT DISPENSERSUPPORT	
2-11		12 RELAYS ELECTRONICCARDBOARD (*)	
2-12		NTC PROBE AMP MODU II FOR BOILER/TANK (*)	
2-13	CS9136.1389	CONTACTOR 230V 50-60Hz (*)	
2-14		CONTACTOR BF26 230 45	
2-15		TERMINAL BOARD FV122 40A450V	
2-16	CS9136.0787	FILTER 0,47 uF	



Onderdelenlijst 7280.0060

POS:	Art.No.:	Omschrijving:	Aantal:
2-17	CS9136.1147	CONTACTOR 230V 50Hz BF09 4.2kW	
2-18		WIRING METAL BOX	
2-19		WIRING METAL BOX COVER	
2-20	CS9136.3094	PRESSURE SWITCH 125/45 (*)	
2-21	CS9136.1314	MANUAL RESET SAFETY THERMOSTAT (*)	
2-22	CS9136.3132	RESISTANCE 230V 6kW	
2-23	CS9136.2940	RESISTANCE 230V 9kW (OPT)	
2-24	CS9998.5876	OR FOR BOILER FLANGE (*)	
2-35	CS9136.3118	PRESSURE SWITCH 28/12 (*)	
2-36	CS9136.0607	CLAMP Ø9.8-10.4 ZN	
3-1	CS9136.0128	WATER INLET HOSE L=2000mm	
3-2	CS9136.3033	12L BOILER ASSY	
3-3	CS9136.3081	BOILER INSULATION BAND	
3-4	CS9136.0141	DRAIN SCREW	
3-5	CS9136.3173	FILTER OF FILT. GROUP	
3-6	CS9136.3174	THREADED RING	
3-7	CS9136.3176	DRAIN	
3-8	CS9136.3175	EXHAUST COCKPIT	
3-9	CS9136.0142	EXHAUST COCKPIT GASKET	
3-10	CS9136.1042	AIR TRAP (*)	
3-11	CS9136.0816	OR 4081	
3-12	CS9136.2995	OR 4500	
3-13	CS9136.1043	NUT FOR AIR TRAP	
3-14	CS9136.3179	OVERFLOW GASKET	
3-15	CS9136.3177	OVERFLOW	
3-16	CS9136.0614	WATER OUTLET HOSE L=2000mm	
3-17	CS9136.1088	THREEWAY DISTRIBUTOR	
3-18	CS9136.2983	W. PUMP 230V 50Hz 0.75 kW	
3-18A		W. PUMP 230V 60Hz 0.75 kW	
3-19	CS9136.2973	INLET PUMP HOSE	
3-20	CS9136.2971	OUTLET PUMP HOSE	
3-21	CS9136.2970	WASHING PUMP SUPP.	
3-22	CS9136.0815	AIR TRAP JUNCTION	
3-23	CS9136.0190	CLAMP Ø14.4X15.1	
3-24	CS9136.0814	FITTING	
3-25	CS9136.0192	CLAMP Ø19.6x20.6	
3-26	CS9136.3083	AIR BREAK	
3-27	CS9136.3055	PLANAR GASKET AIR BREAK	
3-28	CS9136.3054	ORING AIR BREAK	
3-29	CS9136.3056	THREADED RING FOR AIRBREAK	
3-30	CS9136.3092	PROTECTION	
3-31	CS9136.3002	RINSE PUMP 230V 50Hz	
3-31A		RINSE PUMP 230V 60Hz	



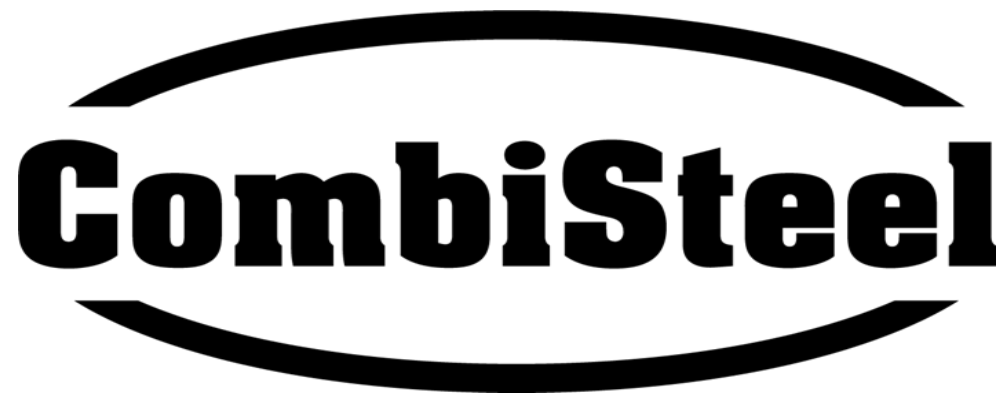
Onderdelenlijst 7280.0060

POS:	Art.No.:	Omschrijving:	Aantal:
3-32	CS9136.3119	INLET REG. 8 L/min	
4-1		90° ELBOW	
4-2		OR128	
4-3	CS9136.2872	WASHER	
4-4		SS TENSIONER CONNECTION	
4-5	CS9136.0905	NUT M12x1	
4-6	CS9136.2873	UPPER RINSE PIPE	
4-7	CS9136.2874	WASHING PIPE ASSY	
4-8	CS9136.1242	SUPPORTING WASHER	
4-9	CS9136.0608	SS WASHING SHAFT PIN	
4-10	CS9136.0463	WASHING ARM WASHER (*)	
4-11		WASHING ARM	
4-12	CS9136.0741	WASHING ARM CAP (*)	
4-13	CS9136.0690	RINSE ARM PLUG (*)	
4-14	CS9136.0700	OR 106	
4-15	CS9136.0112	OR 121	
4-16	CS9136.3172	RINSE NOZZLE	
4-17	CS9136.0743	SPRING	
4-18	CS9136.0580	CONNECTOR (*)	
4-19	CS9136.0796	PTFE RING (*)	
4-20	CS9136.0451	S.S. KNURLED SCREW (*)	
4-21	CS9136.2876	COVER	
4-22	CS9136.2460	FIXING PART	
4-23	CS9999.6637	OR147	
4-24	CS9999.6638	DOUBLE WASH DISTRIBUTOR	
4-25	CS9136.2422	90° M13x1 CONNECTION	
4-26	CS9136.2504	GASKET FOR WASHINGFLANGE	
4-27	CS9136.2503	REAR SUP. WASHING PIPEASSY	
4-28	CS9136.2931	WASHING PIPE	
4-29	CS9136.2999	WASHING PIPE SUPPORT	
4-30	CS9136.0835	HOSE	
5-1	CS9136.0835	HOSE	
5-2	CS9136.0186	DRAIN PUMP 230V 50Hz (*)	
5-2A		DRAIN PUMP 230V 60Hz (*)	
5-3	CS9136.2924	DRAIN PUMP SUPPORT	
5-4		EPDM HOSE	
5-5	CS9136.5000	DRAIN HOSE L= 2500 mm	
5-6	CS9136.3116	DRAIN HOSE SUPPORT	
6-1		SOLENOID VALVE 90° 230V50/60 Hz (*)	
6-2	CS9136.1748	FLOW REDUCER 0.5 L/MIN	
6-3		AUTOM. WATER SOFTNERASSY	
6-4	CS9136.1622	GASKET	
6-5		THREADED RING OF WATERSOFTNER	



Onderdelenlijst 7280.0060

POS:	Art.No.:	Omschrijving:	Aantal:
6-6		CAP OR	
6-7		WATER SOFTNER CAP	
6-8		WATER SOFTNERCONNECTION CABLE	
6-9	CS9136.4011	SOLENOID VALVE DOBLE EXIT(*)	
6-10		SS FITTING 1/4"	
6-11		DRAIN CUP	
7-1		FRONT PANEL	
7-2		ADHESIVE LABEL	
7-3		10-WIRES FLAT CABLE (*)	
7-4		6-KEYS DISPLAY (*)	
8-A1	CS9136.2983	WASH PUMP (230V 50Hz)	
8-A2		WASH PUMP (230V 60Hz)	
8-1		PUMP CASE	
8-2		GASKET	
8-3		IMPELLER FOR 50Hz PUMP	
8-3A		ROUE POUR 60hz POMPE	
8-4	CS9136.2907	SEAL KIT	
8-5		CAPACITOR 12.5uF	
9-1	CS9136.3105	FIX DETER. DISPENSER 3Lt/h	
9-2		FIX RINSE AID DISPENSER0.5Lt/h	
9-3		COVER ASSY	
9-4	CS9136.1783	DETERGENT DISPENSER ROLL HOLDER ASSY (*)	
9-5	CS9136.3167	INTERNAL DETERG.DISPENSER HOSE (*)	
9-6	CS9136.1361	DETERG. DISPENS. FILTERASSY	
9-7		RINSE AID DISPENSER ROLLHOLDER ASSY (*)	
9-8		INTERNAL RINSE AID DISP.HOSE WITH VALVE (*)	
9-9	CS9136.1362	RINSE AID DISPENS. FILTERASSY	



Combisteel BV

Lichtschip 63
3991CP Houten
The Netherlands

+31 (0)30 285 00 90
info@combisteel.com
www.combisteel.com