


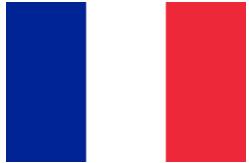


# CombiSteel

	<b>User and Maintenance Instructions</b>	<b>Induction Cooker (Electric)</b>
	<b>Handleiding Voor Bediening En Onderhoud</b>	<b>Inductiekookplaat (Elektrisch)</b>
	<b>Betriebs- und Wartungsanleitung</b>	<b>Induktionsherd (Elektrisch)</b>
	<b>Manuel d'Utilisation et de Maintenance</b>	<b>Plaque À Induction (Électrique)</b>

# **Table of Contents / Inhoudsopgave /** **Inhaltsverzeichnis / Table des Matières**

<b>I.</b>	<b>ENGLISH .....</b>	<b>3</b>
	A. <i>Description</i>	
	B. <i>Products</i>	
	C. <i>Mounting Instructions</i>	
	D. <i>Operator Instructions and Attention Points</i>	
	E. <i>Figures</i>	
	F. <i>Product Drawings</i>	
	G. <i>Electrical Connection Drawing</i>	
<b>II.</b>	<b>NEDERLANDS .....</b>	<b>23</b>
	A. <i>Beschrijving</i>	
	B. <i>Producten</i>	
	C. <i>Montage-Instructies</i>	
	D. <i>Instructies van de bediener en aandachtspunten</i>	
	E. <i>Figuur</i>	
	F. <i>Producttekeningen</i>	
	G. <i>Elektrische Aansluittekeningen</i>	
<b>III.</b>	<b>DEUTSCH .....</b>	<b>44</b>
	A. <i>Beschreibung</i>	
	B. <i>Produkte</i>	
	C. <i>Installationsanleitung</i>	
	D. <i>Benutzerhinweise und zu Beachtende Punkte</i>	
	E. <i>Abbildung</i>	
	F. <i>Produktzeichnungen</i>	
	G. <i>Elektrische Anschlusszeichnung</i>	
<b>IV.</b>	<b>FRANÇAIS .....</b>	<b>65</b>
	A. <i>Explications</i>	
	B. <i>Des Produits</i>	
	C. <i>Instructions de Montage</i>	
	D. <i>Instructions a L'utilisateur et Points a Considérer</i>	
	E. <i>Les Figures</i>	
	F. <i>Dessins des Produits</i>	
	G. <i>Dessin de connexion électrique</i>	



# **User and Maintenance Instructions**

---

## **Induction Cooker (Electric)**

## **A. DESCRIPTION**

Our dear customer,

Your preferred COMBISTEEL is nature and technology friendly. We thank you for your choice.

COMBISTEEL has been produced with the understanding of "Total Quality" in modern production facilities.

### **Important Safety Information**

**Carefully read this guide and keep it for future review.**

**WARNING:** Installation of the devices must be done by an authorized service person.

**WARNING:** Equipment must be grounded.

**WARNING:** If the surface is cracked, immediately disconnect the appliance or appropriate part of the appliance from the supply.



Indicates that there is a risk of personal injury or property damage.



Explosion / fire hazard



High voltage, be careful when repairing operation, non-professionals do not disassemble



Induction cooker generates a magnetic field when it is working, pay attention when operating.

- The instructions in this manual contain important information on the safe mounting, usage, cleaning and maintenance of the device. Thus, keep the manual at a place easily accessible by the person who will use the machine, and the technician.
- Mounting, electrical connection and maintenance works of the device should be performed by a specialist authorized in this subject and in accordance with the instructions of the manufacturer company.
- Electrical connection of the device should be arranged according to the tables and electrical diagram given in this manual.
- Manufacturer Company accepts no responsibility for the final damages incurred in humans or properties that are caused by any procedure not conforming to the instruction manual, or maintenance or technical interventions that are not performed by authorized people.
- The instructions for appliances with hob surfaces of glass-ceramic or similar material shall state that aluminium foil and plastic vessels are not to be placed on the hot surfaces.
- They shall also state that these surfaces are not to be used for storage

- Metallic objects such as kitchen utensils, cutlery etc. shall not be placed on the hob surface within the cooking zones since they could get hot;
- Take care when operating the appliance, as rings, watches and similar objects worn by the user could get hot when in close proximity to the hob surface;
- Only use vessels of the type and size recommended.

## **B. PRODUCTS**

<b>CODE</b>	<b>DESCRIPTION</b>	<b>SERIE</b>
7178.0130	Electric induction cooker, tabletop model, 1 round plate	600
7178.0570	Electric induction cooker, 2 round plates	700
7178.0575	Electric induction cooker, 4 round plates	700
7178.0580	Electric wok cooker, 1 round plate	700
7178.0330	Electric induction cooker, tabletop model, 2 round plates	700S
7178.0335	Electric induction cooker, tabletop model, 4 round plates	700S
7178.0340	Electric wok cooker, tabletop model 1 round plate	700S
7178.3140	Electric induction cooker, 2 round plates	900
7178.3145	Electric induction cooker, 4 round plates	900

## **C. MOUNTING INSTRUCTION**

### **Placement**

- Installation and adjustment of the device should be carried out by technical staff of the Authorized Service.
- Place the device beneath a filtered exhaust hood in order to eliminate smell and fume that may be emitted during cooking.
- Device should be placed on a flat surface by suitably balancing on the four adjustable legs. (Figure A)
- Remove the protective nylon on the device. Clean the adhesive particles left on the device with a suitable cleaner.
- Leave a space of about 20cm behind the stove to facilitate the fan to dissipate heat.

### **Electrical Connection**

- Connect the device to the electrical installation according to the electrical standards of the relevant country.
- Feed the device with suitable network voltage written on the information plate.

- Connect to the electrical installation over a suitable automatic fuse. Fix the said fuse on a place that is easily accessible in case of a danger.
- The cable connecting the device to the electrical installation should be at least type H07 RNF.
- Before connecting the electrical inlet cable to the inlet clamp on the device, connect the cable by passing it through the inlet coupling. And then tighten the coupling cover in a manner that does not allow cable return.
- Electrical inlet is indicated with a label on the device.
- If the device will be used in a commercial kitchen, apply a correct grounding system. Here, consider DIN VDE D100 Article 540.
- Grounding screw "⏏" is indicated with a label behind the device.

## **D. OPERATOR INSTRUCTIONS AND ATTENTION POINTS**

- The induction cooker is a new type of stove in the kitchen ware market. It breaks the traditional open flame cooking method. The working principle of electromagnetic heating is to pass a high-frequency current through the coil disk to generate a magnetic field on both sides of the coil disk. When the iron pot is within the magnetic field, the pot cuts the alternating magnetic field lines produce alternating currents in the pot (ie. eddy current). The eddy current causes the iron molecules of the pot to move randomly at high speed. The molecules collide with each other and rub against each other to generate heat energy to make the appliance itself heat up at high speed for heating and cooking food. So as to achieve the purpose of

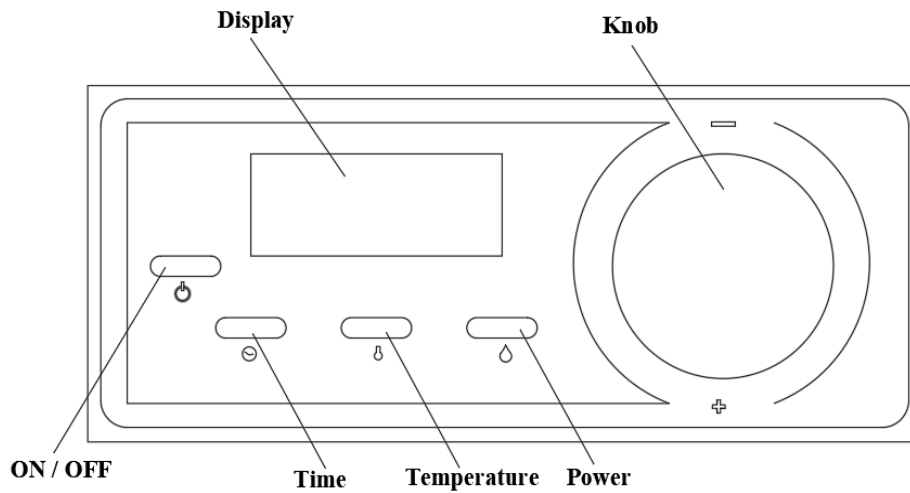
### **BEFORE USE**

#### **Electrical system check**

- After mounting, check the controlling members and heaters by operating at different temperatures.
- After the installation and maintenance, check the heating power of device.
- During first operation, device will emit fume and smell for a short period. This fume and smell is the result of the insulation material and the substances such as oil, etc. on the metal sheet surfaces. This is not dangerous and will disappear by itself.

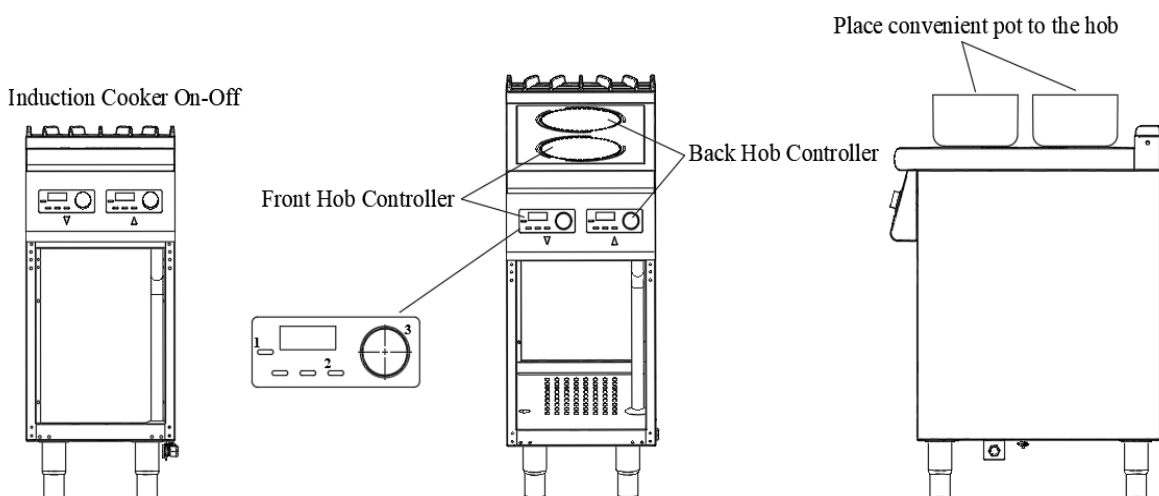
#### **STARTING-UP COOKERS**

- Power on: Turn on the power, the indicator lights are all on, and the digital tube displays the corresponding model, such as "P350" for 3500W flat-hearth furnace series, "A350" for 3500W concave furnace series, " P250" for 2500W flat-head furnace series, "A250" "Means 2500W concave furnace series, "P500" means 5000W flat-top furnace series, and "A500" means 5000W concave furnace series. "P-15" means 15KW flat-top stove series, "A-20" means 20KW concave type frying stove series. After about 2S, the indicator light is off, the power light flashes, and the digital display " ----" indicates the standby state.



## TURN ON

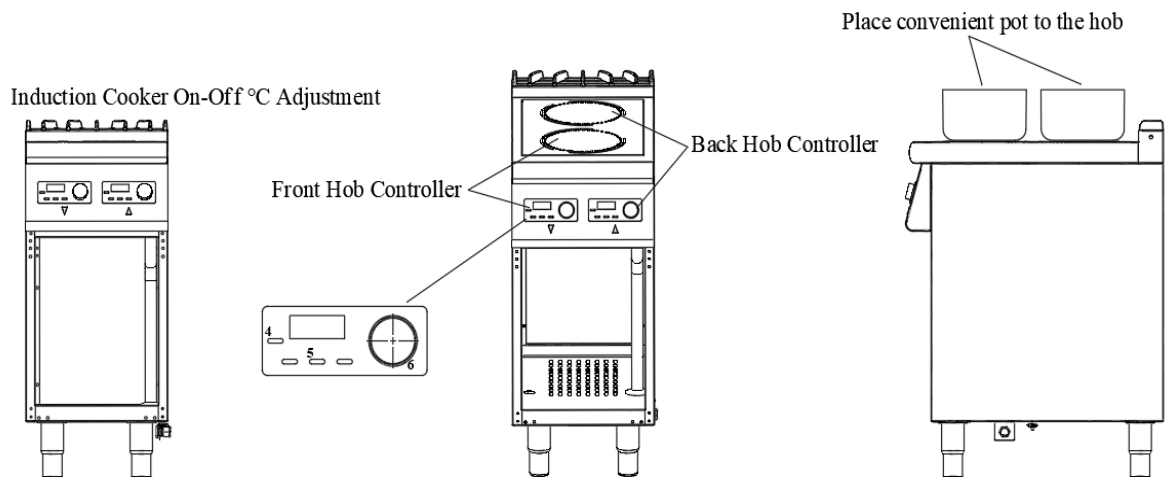
- After about 2S, the indicator light is off, the power light flashes, and the digital display "----" indicates the standby state.
- **Power on:** Press the power "switch"(1) button once (Note: When all touch buttons are operated, press the finger at the center of the corresponding button pattern. Each time you press it, you should stay for a while, and then let go. Because the button has the function of preventing misoperation, the button. The action should not be too fast, otherwise the key will be invalid, the digital display "on", press the "firepower"(2) key again, the corresponding power will be displayed, the default maximum gear; or press the "fixed temperature" key once to display the corresponding set temperature, The default is 200°C. All the indicator lights are on, and it can be heated after putting the pot. If you press the "Firepower" key during the constant temperature process, it can also be set to the heating function.
- **Firepower/Temperature Adjustment:** Adjust the appropriate power (firepower) and temperature through the knob (3). Turn clockwise to increase firepower (temperature), and turn counterclockwise to decrease firepower (temperature). The gears are divided into 9 levels (3).



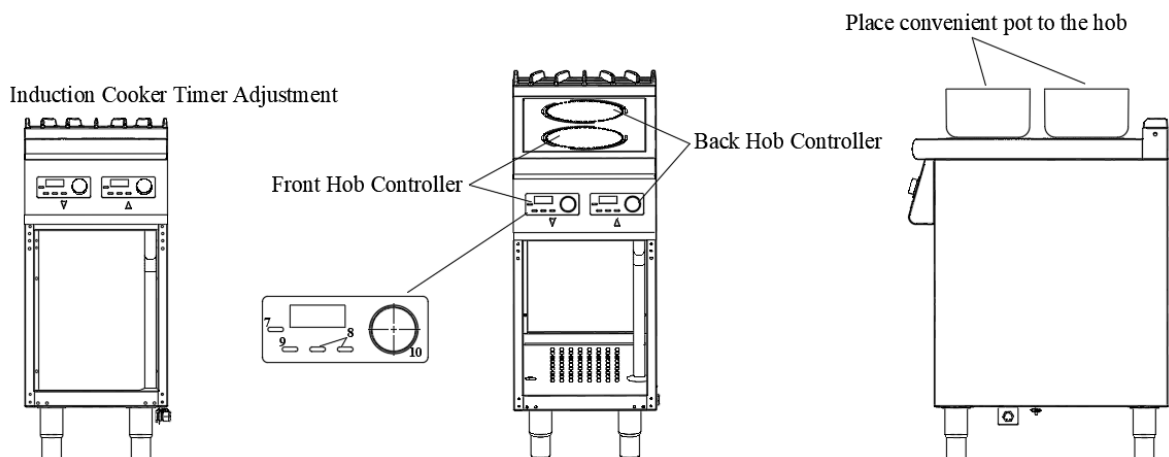
- **Constant Temperature Function:** Turn on, press the "fixed temperature" button, or press the "fixed temperature" button (5) once when the induction cooker is working in the heating function, the display will show the gear position, such as the digital display "200C" means 200°C, enter the temperature function, the appropriate temperature can be adjusted through the knob (6). Clockwise rotation temperature increases, counter clockwise rotation temperature decreases, and the gears are divided into 9 gears.

## TIME SETTING

- The timing function can be set for the heating mode or constant temperature mode of the induction cooker. Firstly press power mode or temperature mode button(8) once, after press the time button(9) then the number flashes, enter the timing shutdown setting. When the time key is pressed for the first time
- The nixie tube displays "00:00" flashing, indicating that the timing time is 0 minutes (that is, there is no timing).
- The required timing time can be adjusted through the knob(10). The clockwise rotation time adds 10 minutes, and the counterclockwise rotation time subtracts 1 minute. The maximum timing time can be set to 23:59. If you do not adjust the knob, it will automatically confirm after about 5 seconds and enter the countdown. If you press the "timing" key again within 5 seconds, the timing setting will be cancelled; in addition, the timing will not work when it displays 00:00.



- After the time setting is completed, the timing starts. After the timer is started, the display will switch back and forth between time and firepower (temperature).





## SHUT DOWN

- During the operation of the induction cooker, press the power switch button (7) once, the power light flashes, the digital tube displays " --- ", and the other indicator lights are off, indicating that it enters the standby state.

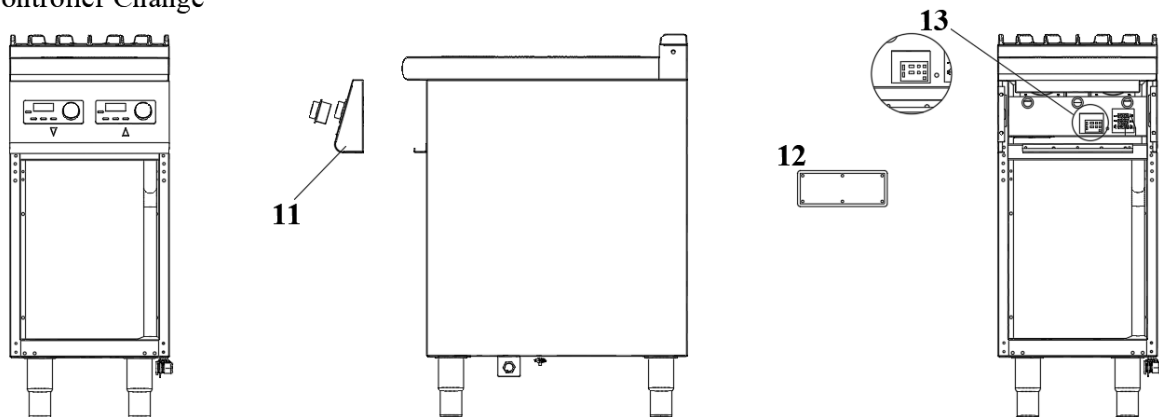
## MAINTENANCE

- Do not perform maintenance when the device is loaded with electrical power.
- Before it cools down completely, wipe the device with a cloth immersed in warm soapy water.
- Do not use cleaning substances and tools that may cause scratches on device surface.
- Do not clean the device with water or vapour pressure. Otherwise, you may cause electrical plate failure.
- If the device will not be used for a long period, coat the surfaces with a thin layer of Vaseline. In case of any dangerous condition with the device, notify to the authorized service. Never let unauthorized people to interfere in the device.
- Do not perform maintenance when the device is loaded with electrical power.

## CONTROL PANEL CHANGE

- Remove the front panel with appropriate screwdriver from panel bottom. (11)
- Turn the panel to back for easy remove and after remove the panel screws from back with screw driver. (12)
- Remove the control panel cable connection socket with hand from the PCB. (13)

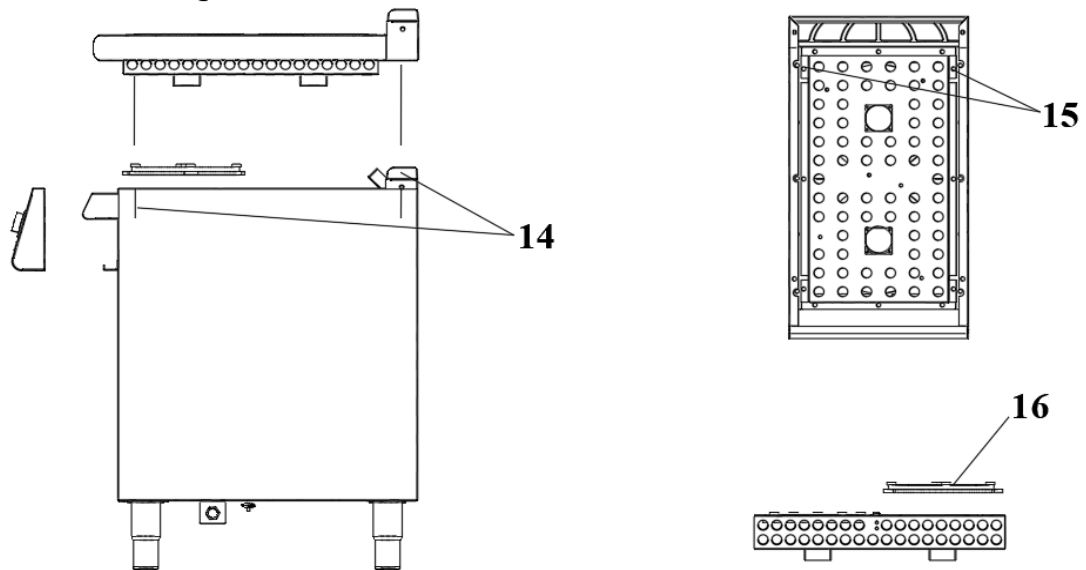
### Controller Change



## COIL CHANGE

- Unscrew the top plate with the appropriate wrench from the inside and turn the top plate sideways (14)
- Remove the coil fixing part screw by suitable wrench (15)
- Unscrew the coil connection screw with suitable wrench (16)

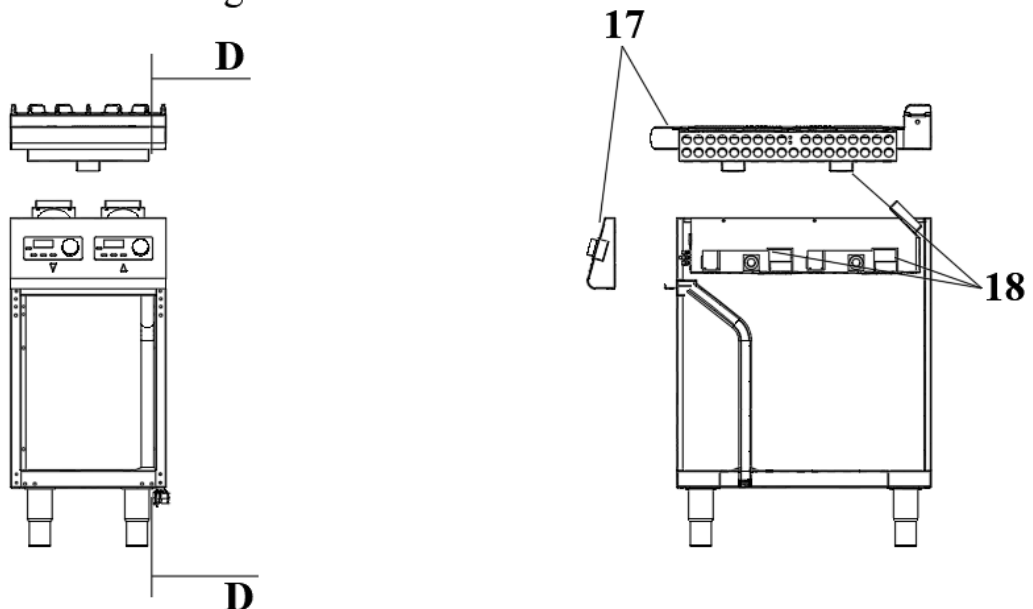
### Coil Change



### PCB&FAN CHANGE

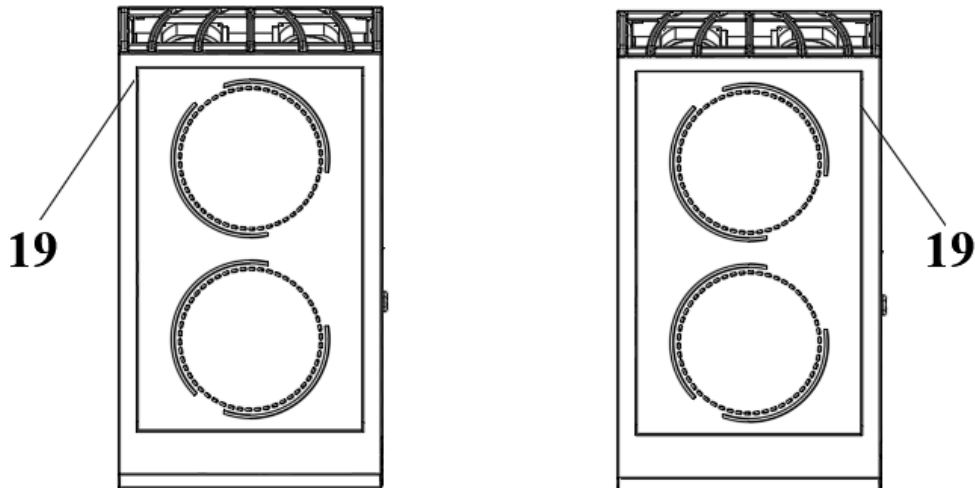
- Remove the front panel and top table from bottom with suitable wrench (17)
- After removing front panel and top table, remove the fan sockets with hand and coil cables from screws. (18)

### PCB & Fan Change



### CERAMIC GLASS CHANGE

- Remove the glass by cleaning the silicon around the ceramic glass.
- Clean the surface on which the glass will be attached with a silicone cleaner spray, squeeze the appropriate silicone and place the glass in the middle.
- After placing a suitable weight on it, smooth the overflowing silicones with the plastic apparatus and wait for it to dry for 12 hours.



### ATTENTIONS


- Dry burning in empty pot is strictly prohibited;
- Before the power is disconnected, the induction cooker must be turned off and in a standby state;
- Please disconnect the power if not used for a long time;
- When the stove has glass-ceramics, please avoid being hit by hard objects and use matching pots;
- If the glass-ceramic is damaged, please stop using it immediately and disconnect the power supply;
- Please pay attention to waterproofing when cleaning the stove (cannot be cleaned with jet water);
- This induction cooker cannot be used to cook porridge or soy milk, otherwise it will easily cause dry burning and danger;
- The concave cookware used in this stove is matched with the manufacturer. If the user needs to replace it, please choose the same size and material (iron) as the manufacturer, or contact the manufacturer to purchase. Otherwise, the firepower may not meet the requirements, and it may even break the glass and cause danger. Table-top flat pots should be made of iron pots with a bottom diameter greater than 26cm. Pots with a diameter less than 33cm should not exceed 10kg in total weight. Pots with a diameter greater than 33cm should not exceed 20kg in total weight to avoid damage. Glass is dangerous.
- During the use of the stove, metal objects such as kitchen utensils, knives and forks are not allowed
- Put it in the cooking area on the cooktop, otherwise, when it is near the wok (within the magnetic field), it will automatically heat up and cause danger;
- Do not place aluminum foil or plastic containers on a hot surface, and do not stack objects on the surface of the stove;
- During operation, if the operator wears metal (iron) jewelry (rings, bracelets, watches, etc.) on his hands, the jewelry may automatically heat up when his hands are near the wok (within the magnetic field). At this time, stop the operation immediately and remove the accessories.
- Users with pacemakers should consult with the manufacturer before operating the stove;
- When the stove fails, it can only be repaired by personnel trained or recommended by the manufacturer.

## Troubleshooting

<b>Error Code</b>	<b>Failure Phenomenon</b>	<b>Method of Exclusion</b>
"E01" flashes	IGBT sensor open circuit	1.Check whether the IGBT sensor is open 2.Check whether the IGBT terminal is loose
"E02" flashes	IGBT sensor short circuit	1.Check whether the IGBT sensor is open 2.Check whether the IGBT terminal is loose
"E03" flashes	Wire reel sensor open circuit	1.Check whether the IGBT sensor is damaged 2.Check whether the sensor cable is disconnected and whether there is poor contact.
"E04" flashes	The wire reel temperature is high or the wire reel sensor is short-circuit	1.Check whether the sensor is damaged 2.Check whether the sensor cable is disconnected 3.Check whether the sensor interface is loose 4.Check whether the coil disk cooling fan rotates or the speed or the speed is too slow 5.Check whether the air inlet or exhaust vent is blocked.
"E05" flashes	Furnace sensor open circuit	1.Check whether the sensor cable is disconnected and whether there is poor contact
"E06" flashes	Furnace sensor open circuit	1.Check whether the sensor is damaged 2.Check whether the sensor line is short-circuited
"E07" flashes	Grid voltage is too low	1.For 220V models, check whether the grid voltage is lower than 150V, and for 380V models, check whether the grid voltage is lower than 350V 2.Check whether the core power transformer is damaged
"E08" flashes	Grid voltage is too high	1.For the 220V models, check whether the grid voltage is higher than 260V, and for 380V, check whether the grid voltage is higher than 450V
"F" flashes	IGBT temperature is too high	1.Check whether the movement fan rotates or the speed is too slow 2.Check whether the air inlet or exhaust vent is blocked
"E00" flashes	No pot or inappropriate pot	1.Check whether the wire reel and the wire reel terminal are loose 2. Check whether the pot is severely deformed 3. Check whether the pot material used is suitable whether the bottom of the pot is seriously deformed, and whether the pot is placed in the correct position.

## Compatibility Information

This device is designed and manufactured in accordance with the following directives and standards.

 marking directive, 93/68/CEE

TS EN 60335-1:2012/AC

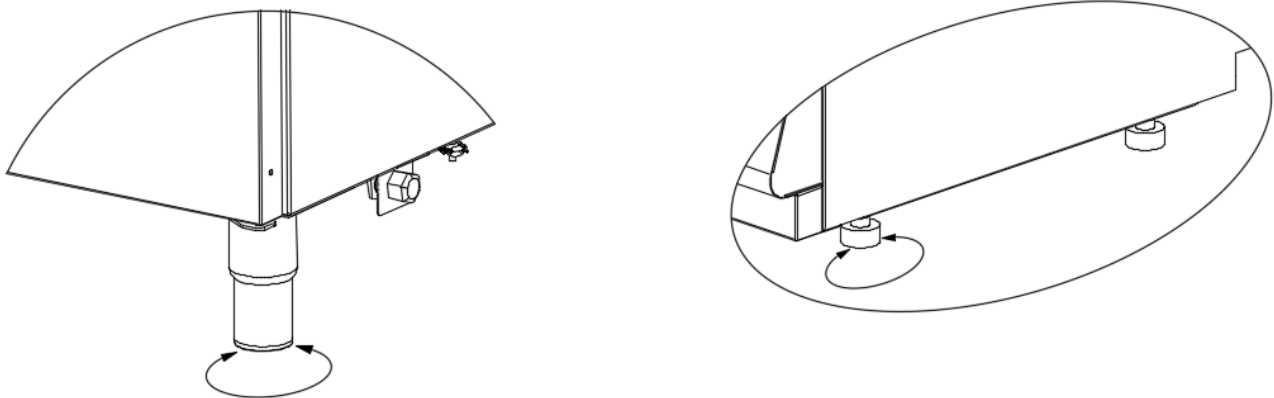
TS EN 60335-2:37

Related to CE Directive(s):

2014/35/EU (Low Voltage)

- **Limitation of Liability:** All technical information contained in this manual, operating instructions, operation and maintenance of the device, contains the latest information on your device. The manufacturer accepts no responsibility for damage or injury which may result from failure to follow the instructions in this manual, use outside of the intended use, unauthorized repair, unauthorized modifications to the device, or use of spare parts not approved by the manufacturer.

## E. FIGURES

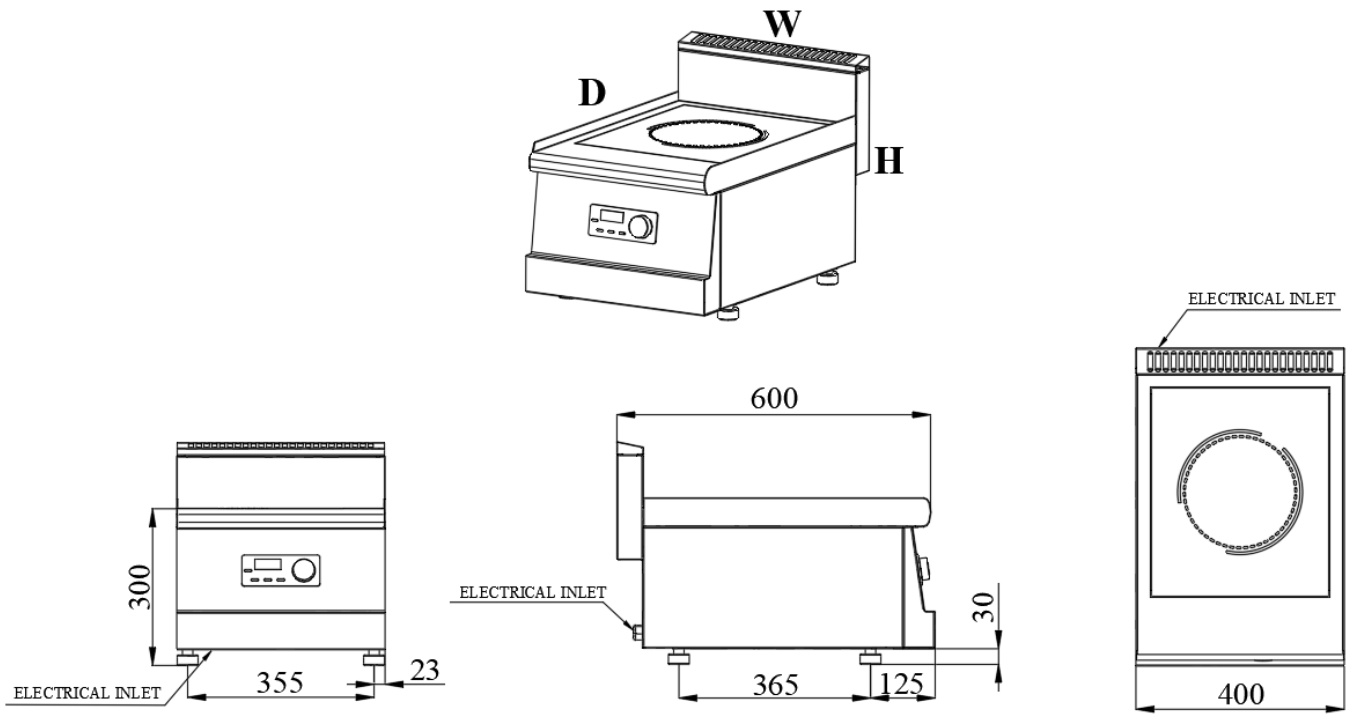


**Figure A**

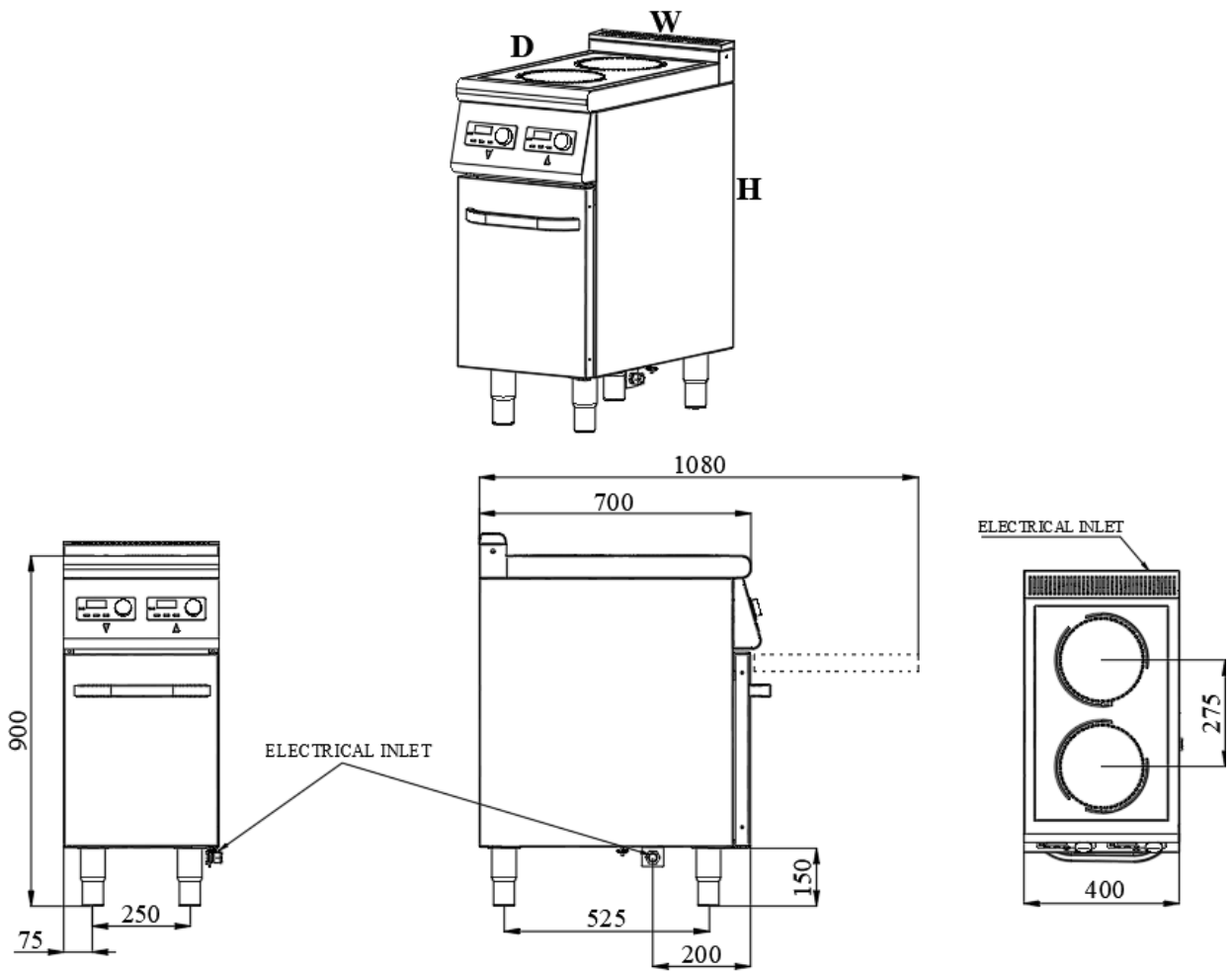
## F. PRODUCT DRAWINGS

<b>Product</b>	<b>Width (W)</b>	<b>Depth (D)</b>	<b>Height (H)</b>	<b>Electrical Inlet</b>	<b>Power</b>	<b>Cable Sections</b>	<b>Weight</b>	<b>Volume</b>
<b>7178.0130</b>	400 mm	600 mm	300 mm	230V AC 1N PE	3,5 kW	3x1.5 H05RNF	30 kg	0.18 m <sup>3</sup>
<b>7178.0570</b>	400 mm	700 mm	900 mm	230V AC 1N PE	7 kW	3x2.5 H05RNF	36 kg	0.44 m <sup>3</sup>
<b>7178.0575</b>	800 mm	700 mm	900 mm	400V AC 3N PE	14 kW	5x4 H05RNF	57 kg	0.84 m <sup>3</sup>
<b>7178.0580</b>	400 mm	700 mm	900 mm	230V AC 1N PE	5 kW	3x2.5 H05RNF	45 kg	0.44 m <sup>3</sup>
<b>7178.0330</b>	400 mm	700 mm	300 mm	230V AC 1N PE	7 kW	3x2.5 H05RNF	34 kg	0.21 m <sup>3</sup>
<b>7178.0335</b>	800 mm	700 mm	300 mm	400V AC 3N PE	14 kW	5x4 H05RNF	52 kg	0.36 m <sup>3</sup>
<b>7178.0340</b>	400 mm	700 mm	300 mm	230V AC 1N PE	5 kW	3x2.5 H05RNF	29 kg	0.21 m <sup>3</sup>
<b>7178.3140</b>	400 mm	900 mm	900 mm	400V AC 3N PE	10 kW	5x4 H05RNF	90 kg	0.55 m <sup>3</sup>
<b>7178.3145</b>	800 mm	900 mm	900 mm	400V AC 3N PE	20 kW	5x4 H05RNF	185 kg	1.05 m <sup>3</sup>

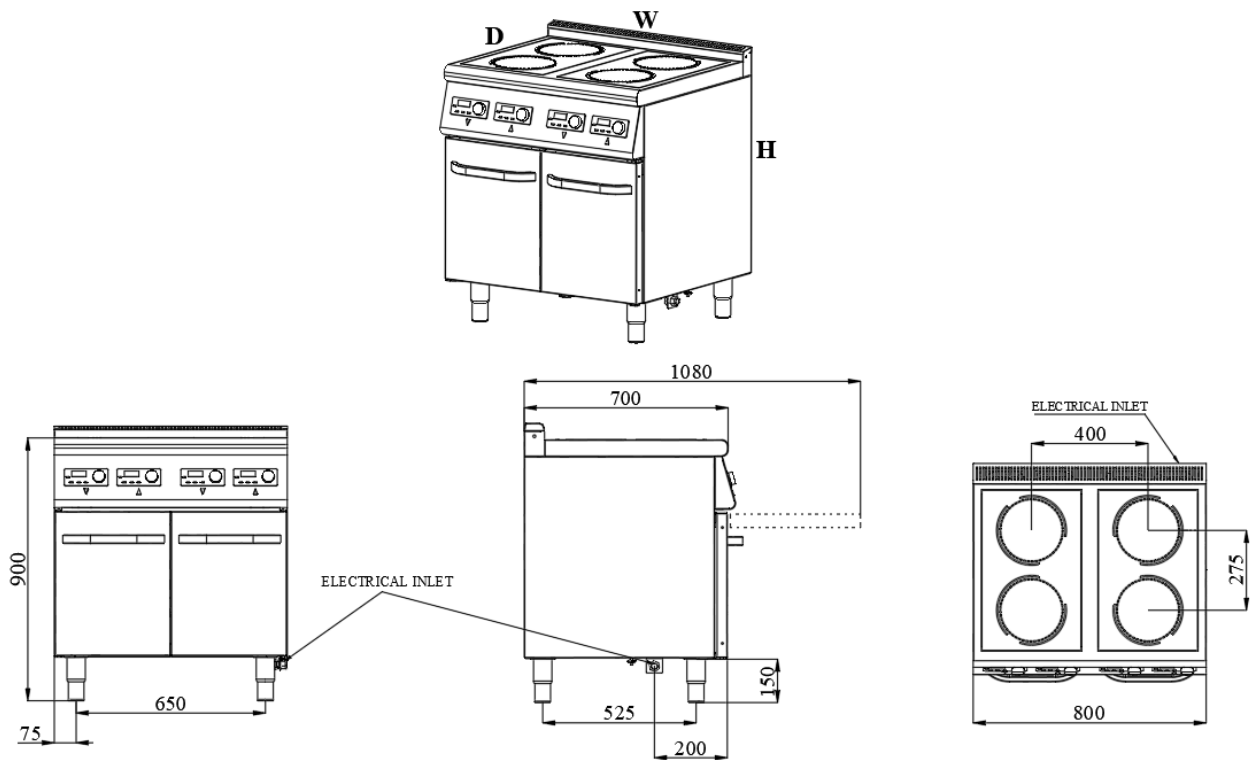
7178.0130



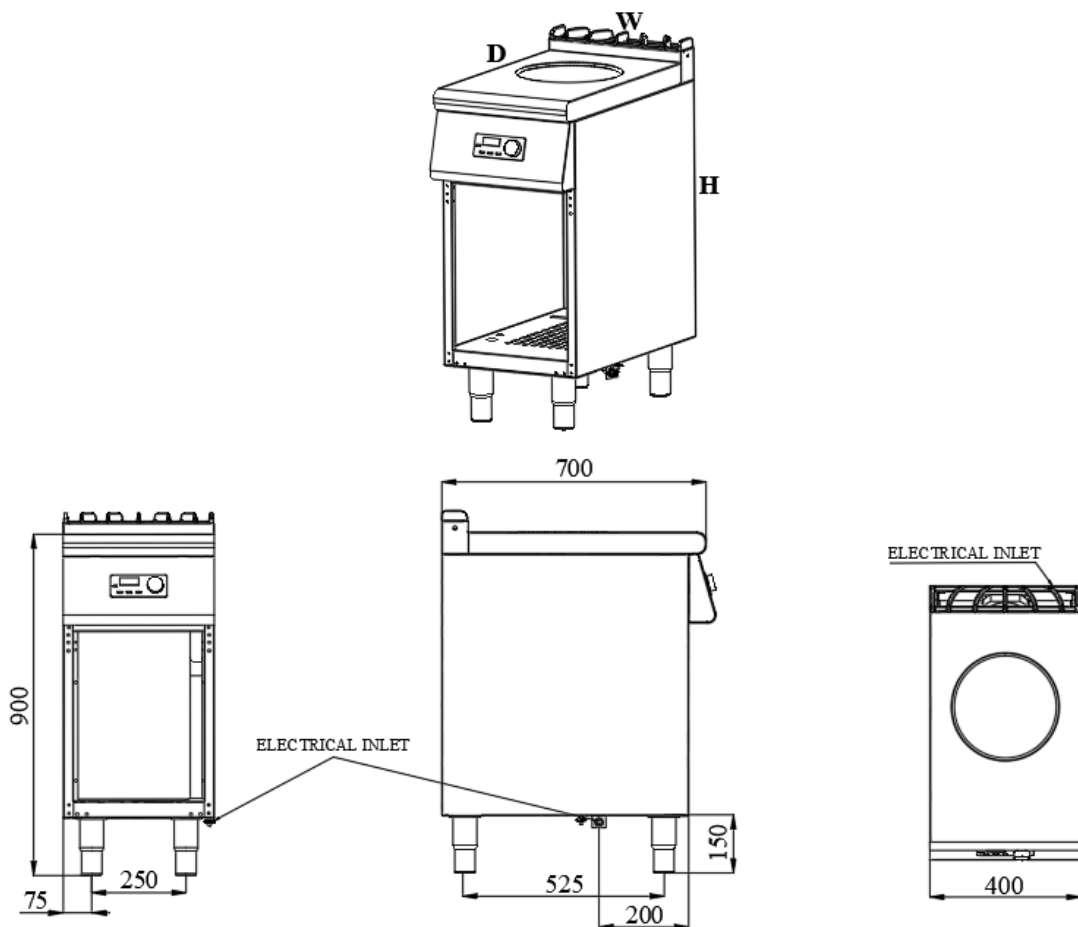
7178.0570



7178.0575

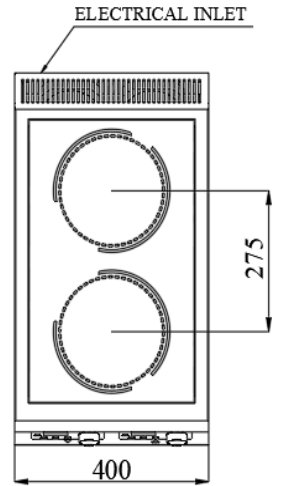
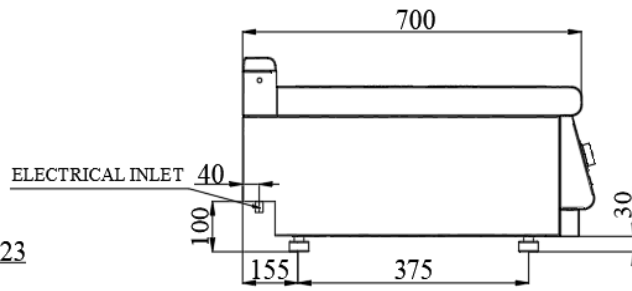
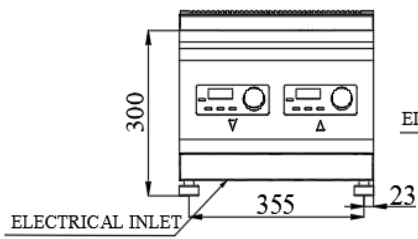
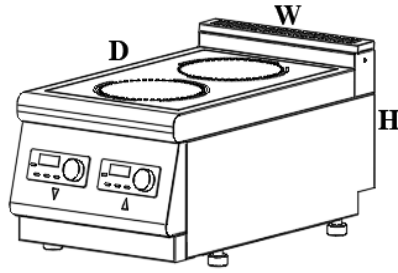


7178.0580

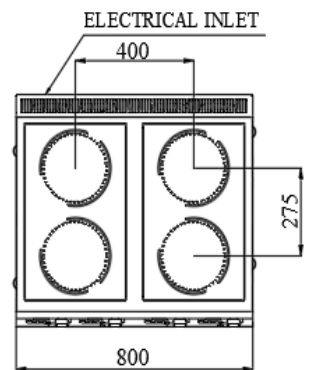
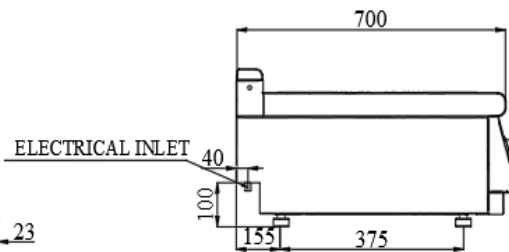
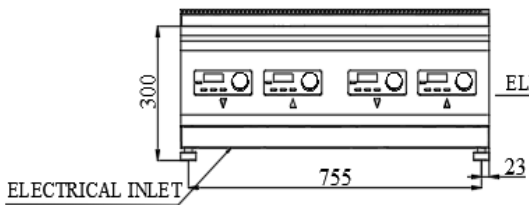
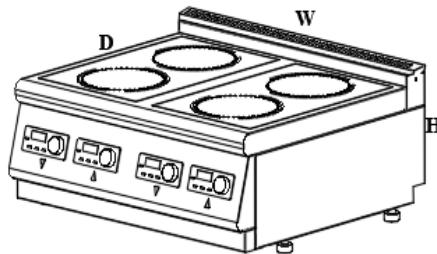




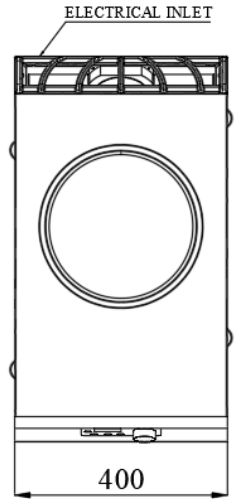
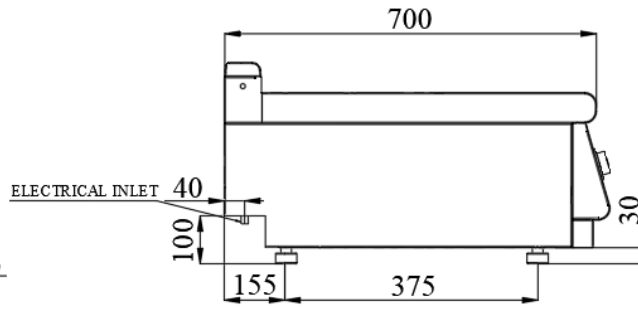
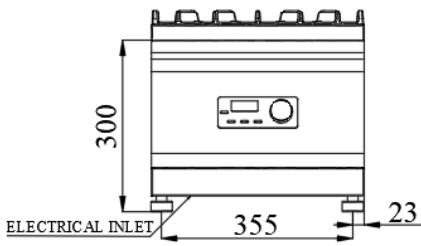
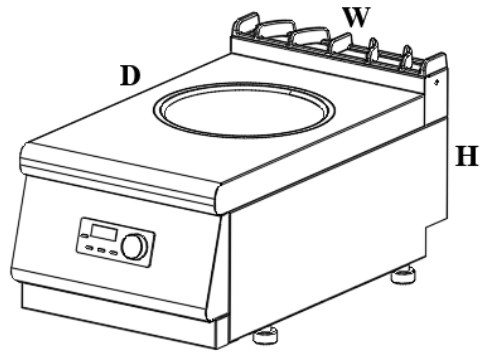
# 7178.0330



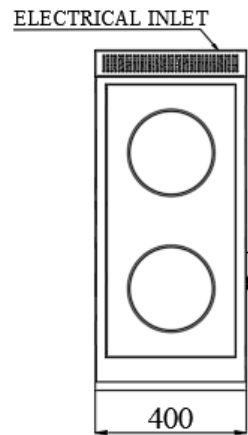
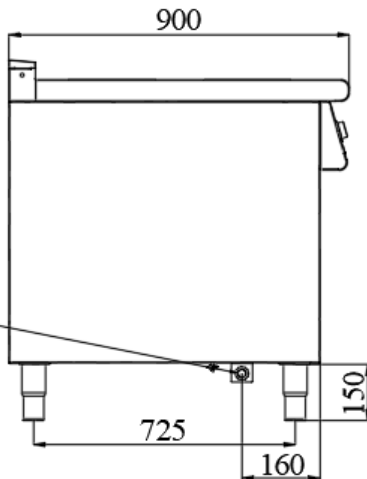
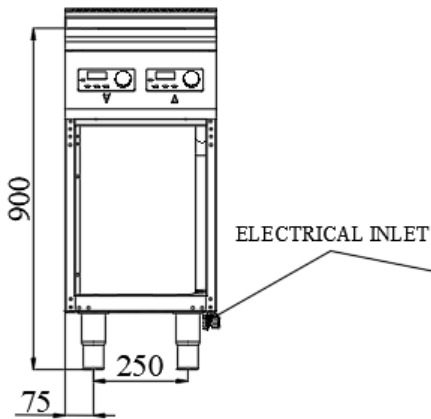
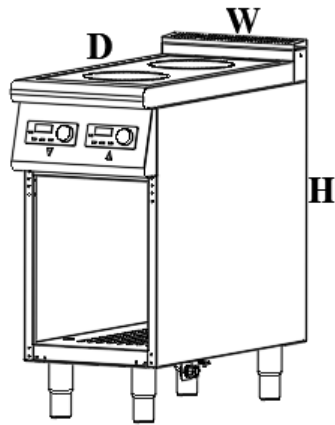
# 7178.0335



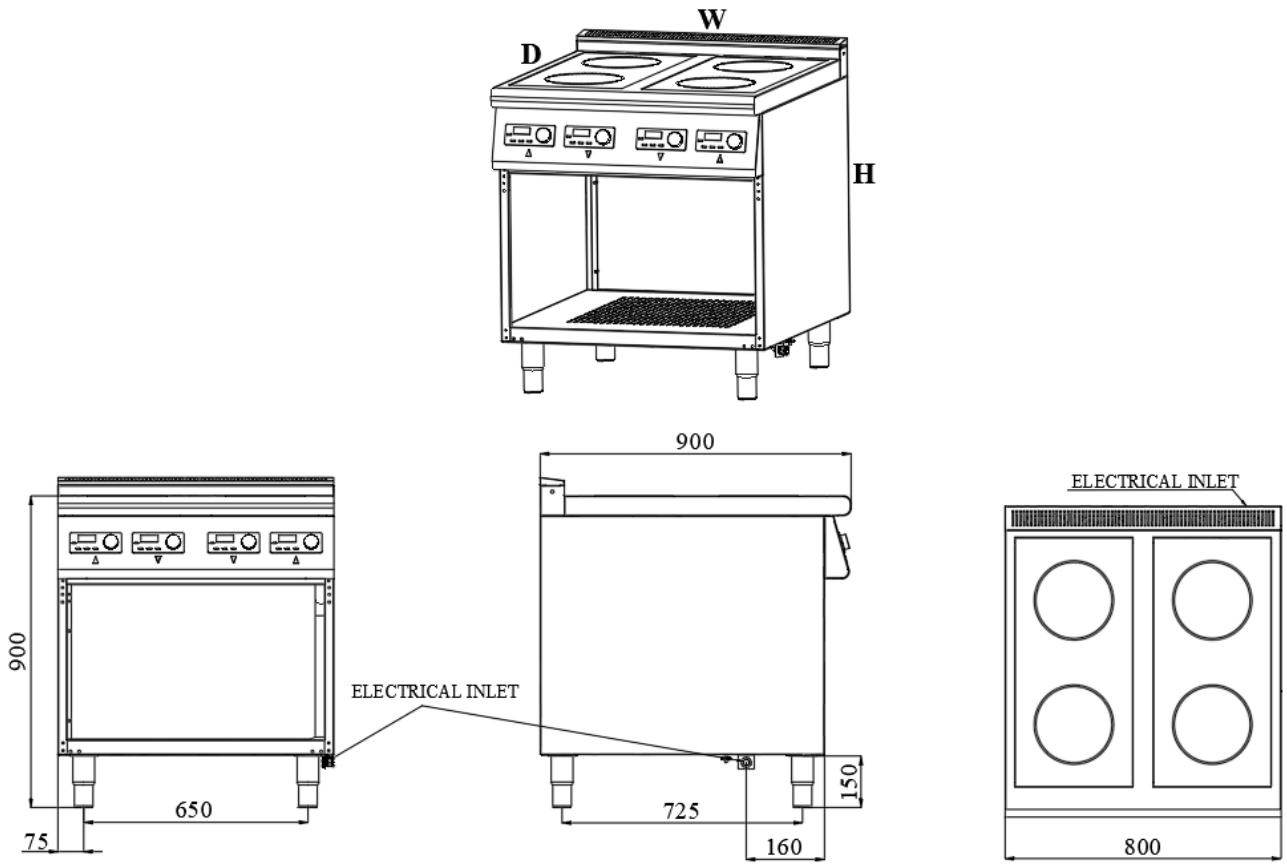
# 7178.0340



# 7178.3140

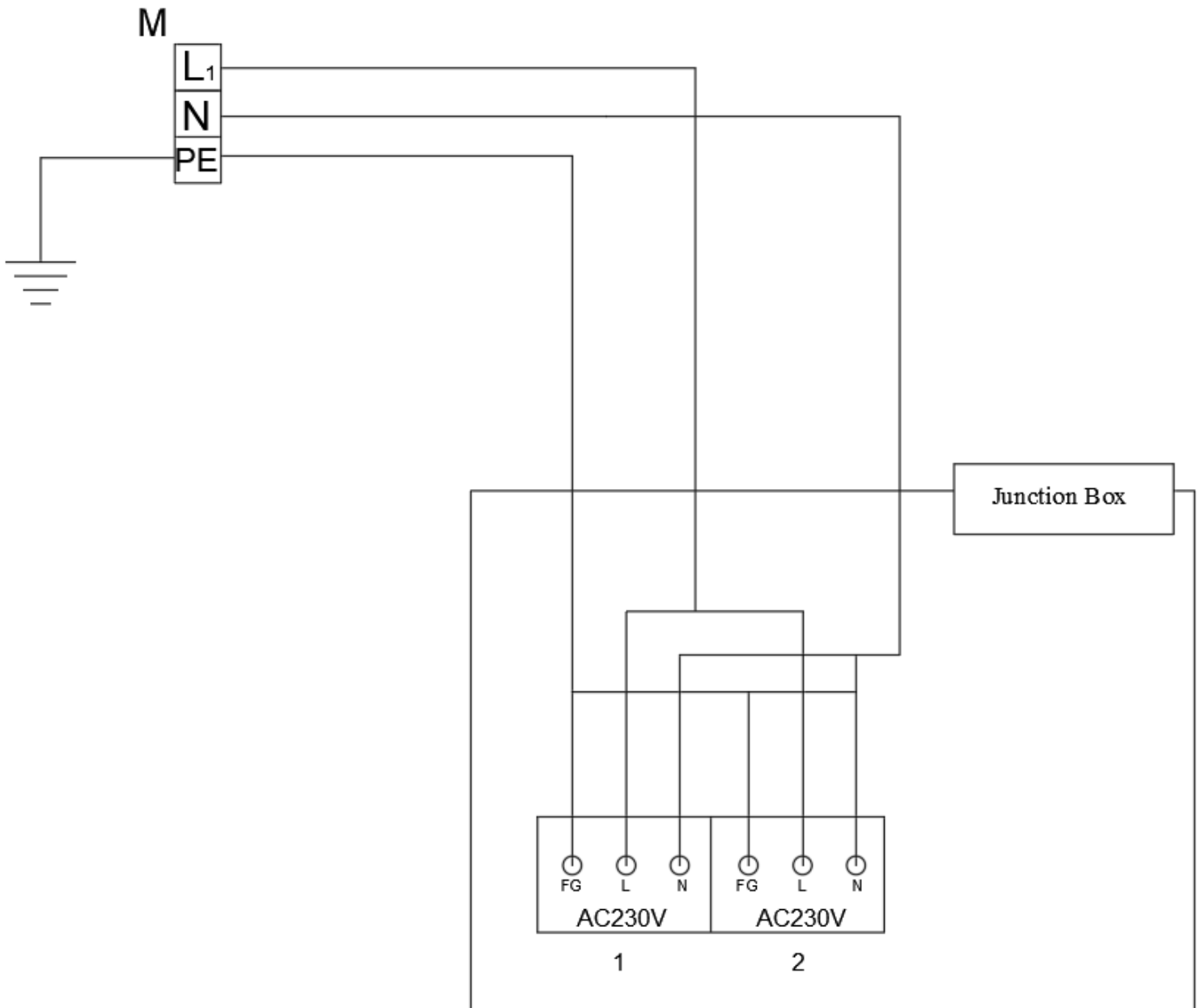


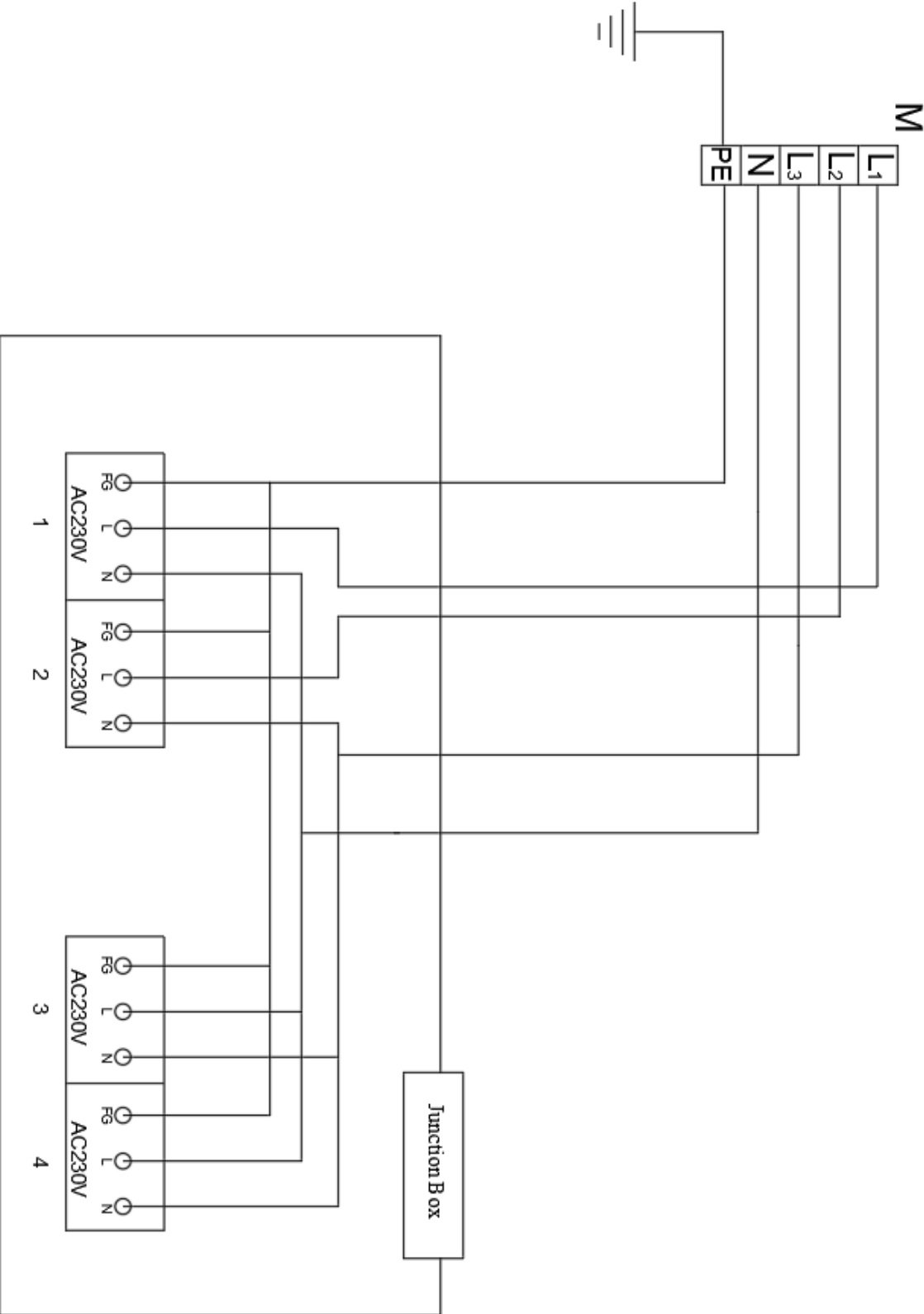
7178.3145

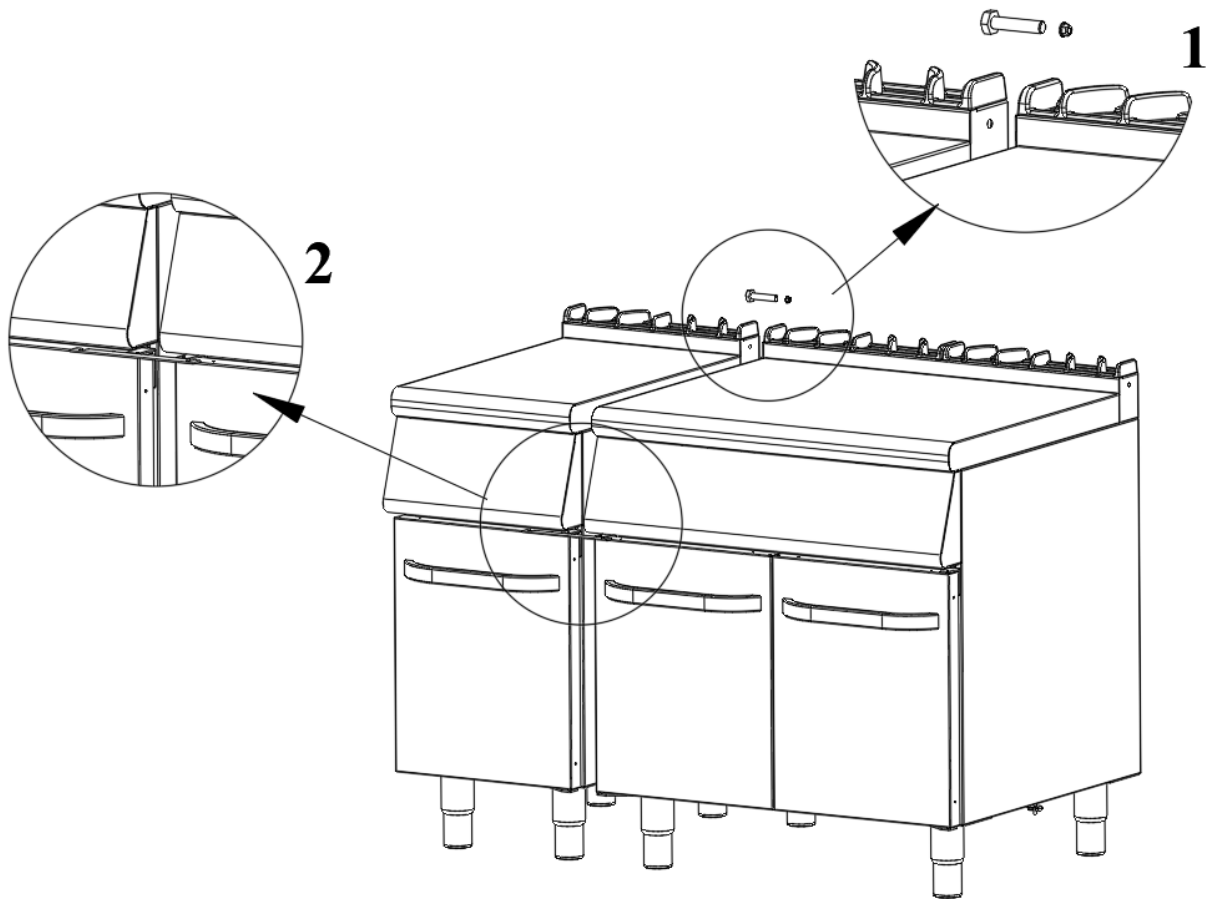


# G.ELECTRICAL CONNECTION DRAWING

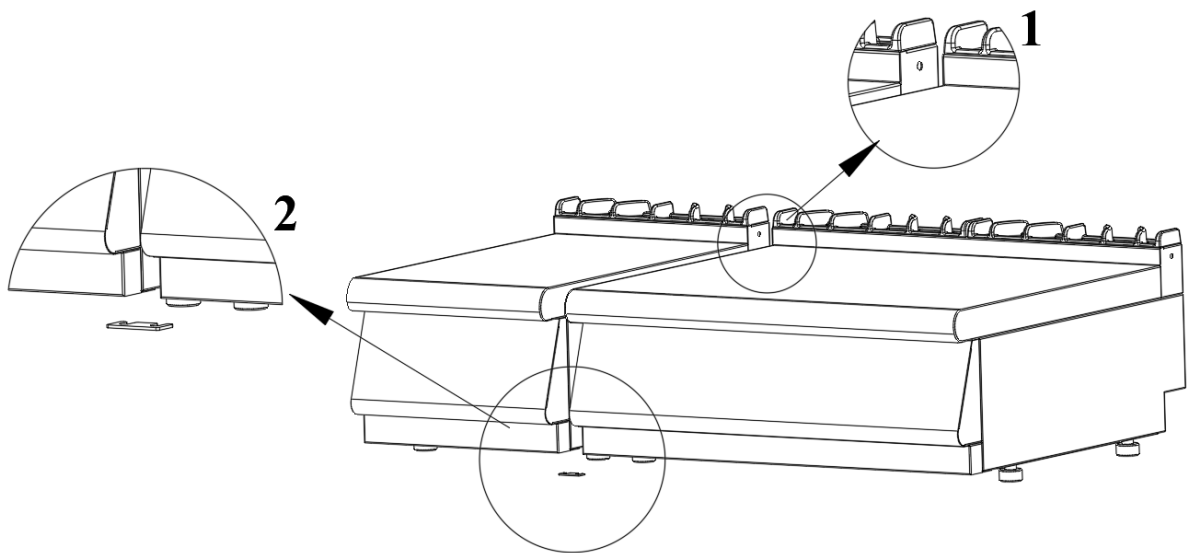
7178.0130 / 7178.0570 / 7178.0580 / 7178.0330 / 7178.0340 /  
7178.3140







**SERIE 700 / 900 Fixation**



**600 / 700-S series equipment fixation scheme**



# **Handleiding Voor Bediening En Onderhoud**

---

**Inductiekookplaat (Elektrisch)**

## A. BESCHRIJVING

Beste klanten,

Uw gewenste COMBISTEEL-product is natuur- en technologievriendelijk. Wij danken u voor uw keuze.

COMBISTEEL is vervaardigd met het begrip "Volledige Kwaliteit" in zijn moderne productiefaciliteiten.

### **Belangrijke veiligheidsinformatie**

**Lees deze handleiding aandachtig door en bewaar deze voor toekomstige beoordelingen.**

**WAARSCHUWING:** De apparaten moeten worden geïnstalleerd door een gekwalificeerdeonderhoudsmonteur.

**WAARSCHUWING:** De apparatuur moet worden geaard.

**WAARSCHUWING:** Als het oppervlak gebarsten is, moet u het apparaat of een geschikt onderdeel van het apparaat onmiddellijk loskoppelen van de voeding.



Geeft aan dat er een risico bestaat op persoonlijk letsel of materiële schade.



Explosie / brandgevaar.



High voltage, be careful when repairing operation, non-professionals do not disassemble



Induction cooker generates a magnetic field when it is working, pay attention when operating.

- De instructies in deze handleiding bevatten belangrijke informatie over veilige montage, gebruik, reiniging en onderhoud van het apparaat. Bewaar de handleiding daarom op een plaats die gemakkelijk toegankelijk is voor de persoon die de machine gaat gebruiken en de technicus.
- Montage, elektrische aansluiting en onderhoudswerkzaamheden aan het apparaat moeten worden uitgevoerd door een ter zake geautoriseerde specialist en in overeenstemming met de instructies van de fabrikant.
- De elektrische aansluiting van het apparaat moet worden geregeld volgens de tabellen en het elektrische schema in deze handleiding.



- Fabrikant Bedrijf aanvaardt geen verantwoordelijkheid voor de uiteindelijke schade opgelopen bij mensen of eigendommen die is veroorzaakt door een procedure die niet in overeenstemming is met de instructiehandleiding, of onderhoud of technische interventies die niet zijn uitgevoerd door geautoriseerde personen.
- In de instructies voor apparaten met kookplaten van glaskeramik of soortgelijk materiaal moet worden vermeld dat aluminiumfolie en plastic schalen niet op de hete oppervlakken mogen worden geplaatst.
- Ze moeten ook vermelden dat deze oppervlakken niet voor opslag mogen worden gebruikt
- Metalen voorwerpen zoals keukengerei, bestek enz. mogen niet op de kookplaat in de kookzones worden geplaatst, aangezien deze heet kunnen worden;
- Wees voorzichtig bij het gebruik van het apparaat, aangezien ringen, horloges en soortgelijke voorwerpen die door de gebruiker worden gedragen, heet kunnen worden wanneer ze zich in de buurt van het kookplaatoppervlak bevinden;
- Gebruik alleen vaten van het aanbevolen type en formaat.

## **B. PRODUCTEN**

CODE	BESCHRIJVING	SERIÉ
7178.0130	Elektrische inductiekookplaat, tafelmodel, 1 rond plaat	600
7178.0570	Elektrische inductiekookplaat, 2 ronde platen	700
7178.0575	Elektrische inductiekookplaat, 4 ronde platen	700
7178.0580	Elektrische wokpan, 1 ronde plaat	700
7178.0330	Elektrische inductiekookplaat, tafelmodel, 2 ronde platen	700S
7178.0335	Elektrische inductiekookplaat, tafelmodel, 4 ronde platen	700S
7178.0340	Elektrische wokpan, tafelmodel, 1 ronde plaat	700S
7178.3140	Elektrische inductiekookplaat, 2 ronde platen	900
7178.3145	Elektrische inductiekookplaat, 4 ronde platen	900

## **C. MONTAGE-INSTRUCTIES**

### **Plaatsing**

- Installatie en afstelling van het apparaat moet worden uitgevoerd door technisch personeel van de Geautoriseerde Dienst.
- Plaats het apparaat onder een gefilterde afzuigkap om geuren en dampen die tijdens het koken kunnen ontstaan, te verwijderen.

- Het apparaat moet op een vlakke ondergrond worden geplaatst door goed te balanceren op de vier verstelbare poten. (Afbeelding A)
- Verwijder het beschermende nylon op het apparaat. Reinig de achtergebleven lijmdeeltjes op het apparaat met een geschikt reinigingsmiddel.
- Laat een ruimte van ongeveer 20 cm achter de kachel om de warmteafvoer van de ventilator te vergemakkelijken.

### **Elektrische Aansluiting**

- Sluit het apparaat aan op de elektrische installatie volgens de elektrische normen van het betreffende land.
- Voed het apparaat met de juiste netspanning die op het typeplaatje staat vermeld.
- Sluit aan op de elektrische installatie via een geschikte automatische zekering. Bevestig de genoemde zekering op een plaats die gemakkelijk toegankelijk is in geval van gevaar.
- De kabel die het apparaat verbindt met de elektrische installatie dient minimaal van het type H07 RNF te zijn.
- Voordat u de elektrische invoerkabel aansluit op de invoerklem op het apparaat, sluit u de kabel aan door deze door de invoerkoppeling te leiden. Draai vervolgens het koppelingsdeksel zodanig vast dat de kabel niet kan terugkeren.
- Elektrische ingang wordt aangegeven met een label op het apparaat.
- Als het apparaat in een commerciële keuken wordt gebruikt, zorg dan voor een correct aardingsstelsel. Denk hierbij aan DIN VDE D100 artikel 540.
- Aardingsschroef "⏏" wordt aangegeven met een label achter het apparaat.

## **D. INSTRUCTIES VAN DE BEDIENER EN AANDACHTSPUNTEN**

- De inductiekookplaat is een nieuw type fornuis op de markt voor keukengerei. Het doorbreekt de traditionele manier van koken met open vuur. Het werkingsprincipe van elektromagnetische verwarming is om een hoogfrequente stroom door de spoelschijf te laten gaan om aan beide zijden van de spoelschijf een magnetisch veld op te wekken. Wanneer de ijzeren pot zich binnen het magnetische veld bevindt, snijdt de pot de wisselende magnetische veldlijnen die wisselstromen in de pot produceren (d.w.z. wervelstroom). De wervelstroom zorgt ervoor dat de ijzermoleculen van de pot willekeurig met hoge snelheid bewegen. De moleculen botsen met elkaar en wrijven tegen elkaar om warmte-energie te genereren om het apparaat zelf met hoge snelheid te laten opwarmen voor het opwarmen en koken van voedsel. Om het doel van te bereiken

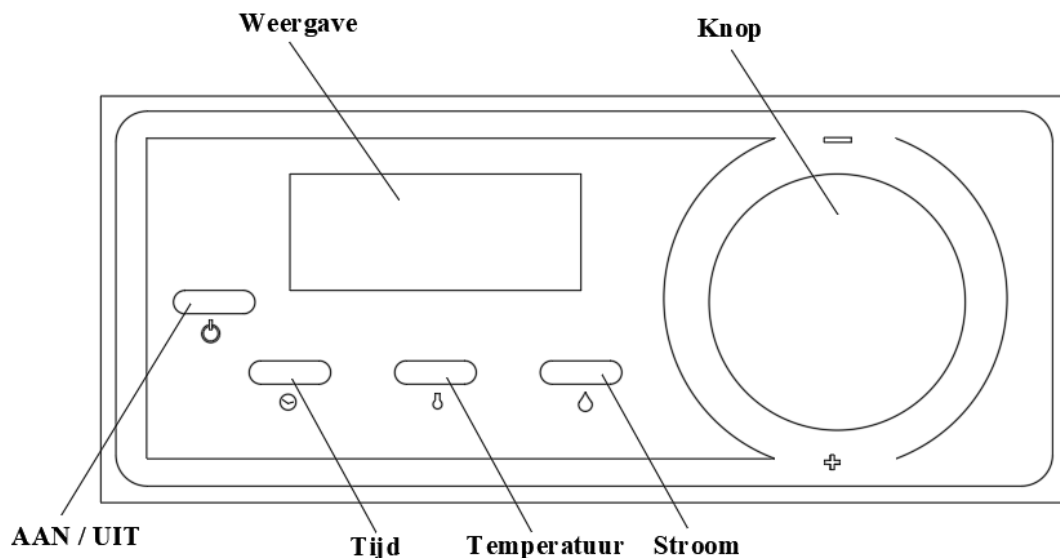
### **VOOR GEBRUIK**

#### **Controle van het elektrische systeem**

- Controleer na montage de regelorganen en verwarmers door bij verschillende temperaturen te werken.
- Controleer na installatie en onderhoud het verwarmingsvermogen van het apparaat.
- Tijdens het eerste gebruik zal het apparaat korte tijd dampen en geuren afgeven. Deze rook en geur is het resultaat van het isolatiemateriaal en de stoffen zoals olie etc. op de metalen plaatoppervlakken. Dit is niet gevaarlijk en verdwijnt vanzelf.

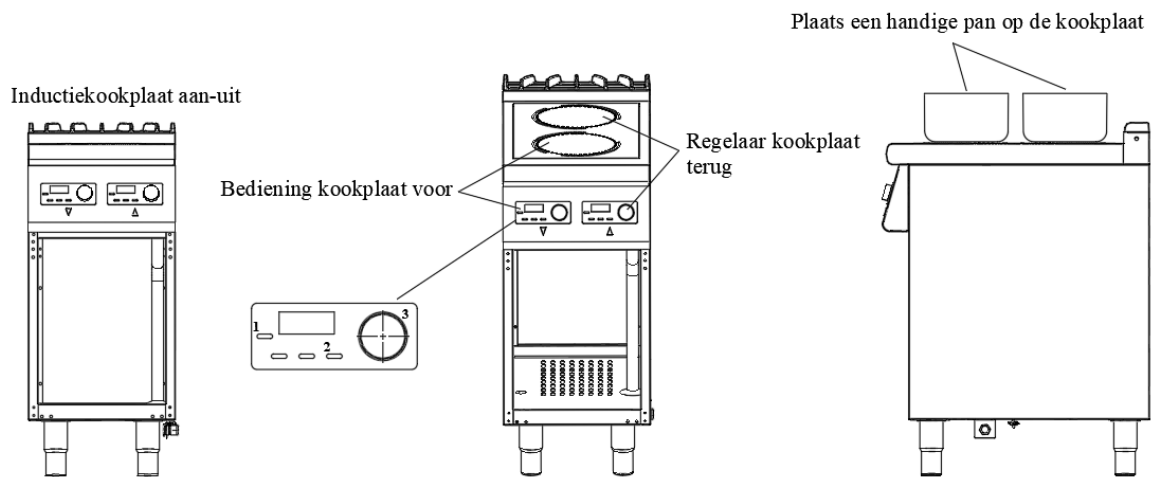
## OPSTARTEN FORNUIZEN

- **Inschakelen:** schakel de stroom in, de indicatielampjes branden allemaal en de digitale buis geeft het overeenkomstige model weer, zoals "P350" voor 3500W flat-hearth ovenseries, "A350" voor 3500W concave ovenseries, "P250" voor 2500W flat-top ovenserie, "A250" "Betekent 2500W concave ovenserie, "P500" betekent 5000W flat-top ovenserie, en "A500" betekent 5000W concave ovenserie. "P-15" betekent 15KW flat-top kachel serie, "A-20" betekent 20KW concaaf type frituurpan serie. Na ongeveer 2S is het indicatielampje uit, het aan/uit-lampje knippert en het digitale display "---" geeft de stand-bystatus aan.

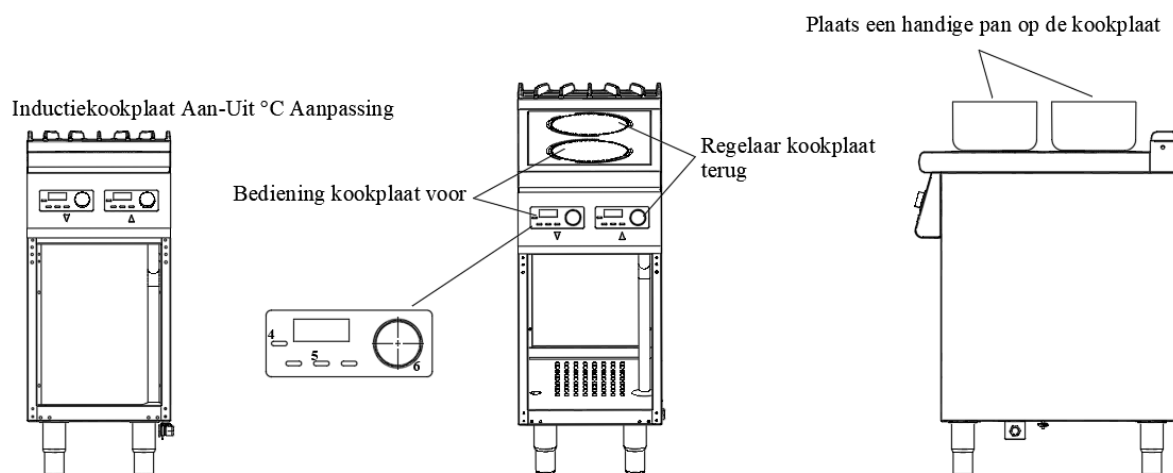


## AANZETTEN

- Na ongeveer 2 seconden is het indicatielampje uit, het aan/uit-lampje knippert en het digitale display "----" geeft de stand-bystatus aan.
- **Inschakelen:** druk één keer op de aan/uit-knop (1) (Opmerking: als alle aanraakknoppen zijn bediend, drukt u op de vinger in het midden van het overeenkomstige knoppatroon. Elke keer dat u erop drukt, moet u even blijven staan, en laat dan los. Omdat de knop de functie heeft om verkeerde bediening te voorkomen, de knop. De actie mag niet te snel zijn, anders is de sleutel ongeldig, het digitale display "aan", druk nogmaals op de "vuurkracht" (2) toets, het bijbehorende vermogen wordt weergegeven, de standaard maximale versnelling; of druk eenmaal op de toets "vaste temperatuur" om de bijbehorende ingestelde temperatuur weer te geven, de standaard is 200 ° C. Alle indicatielampjes branden en deze kan worden verwarmd na het plaatsen Als u tijdens het constante temperatuurproces op de toets "Vuurkracht" drukt, kan deze ook op de verwarmingsfunctie worden gezet.
- **Aanpassing vuurkracht/temperatuur:** Pas het juiste vermogen (vuurkracht) en temperatuur aan met de knop (3). Draai met de klok mee om de vuurkracht (temperatuur) te vergroten en draai tegen de klok in om de vuurkracht (temperatuur) te verlagen. De versnellingen zijn verdeeld in 9 niveaus (3).



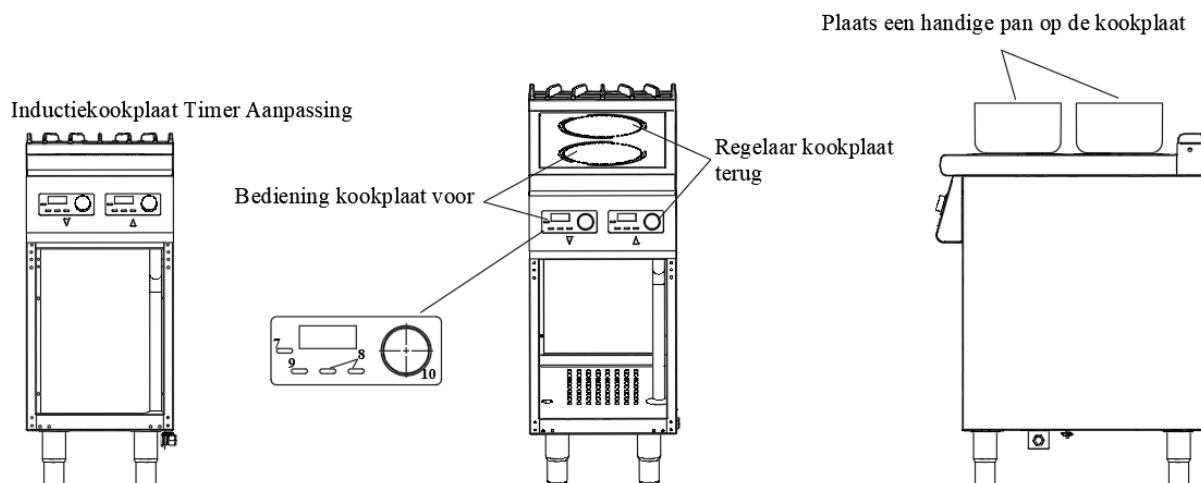
- **Constante temperatuurfunctie:** schakel in, druk op de knop "vaste temperatuur" of druk eenmaal op de knop "vaste temperatuur" (5) wanneer de inductiekookplaat in de verwarmingsfunctie werkt, het display toont de versnellingspositie, zoals de digitale weergave "200C" betekent 200°C, voer de temperatuurfunctie in, de juiste temperatuur kan worden aangepast via de knop (6). Met de klok mee draaiende temperatuur neemt toe, tegen de klok in draaiende temperatuur neemt af en de versnellingen zijn verdeeld in 9 versnellingen.



## TIJD INSTELLING

- De timerfunctie kan worden ingesteld voor de verwarmingsmodus of de constante temperatuurmodus van de inductiekookplaat. Druk eerst eenmaal op de knop voor de energiemodus of de temperatuurmodus (8), druk daarna op de tijdknop (9) en het nummer knippert, voer de instelling voor het uitschakelen van de timing in. Wanneer de tijdtoets voor het eerst wordt ingedrukt
- Op de Nixie Tube knippert "00:00", wat aangeeft dat de timing 0 minuten is (er is dus geen timing).
- De gewenste timingtijd kan worden aangepast met de knop (10). De draaitijd met de klok mee voegt 10 minuten toe en de draaitijd tegen de klok in trekt er 1 minuut van af. De maximale timingtijd kan worden ingesteld op 23:59. Als u de knop niet aanpast, wordt deze na ongeveer 5 seconden automatisch bevestigd en begint het aftellen. Als u binnen 5 seconden nogmaals op de "timing"-toets drukt, wordt de timing-instelling geannuleerd; bovendien werkt de timing niet wanneer deze 00:00 weergeeft.

- Nadat de tijdstelling is voltooid, begint de timing. Nadat de timer is gestart, schakelt het display heen en weer tussen tijd en vuurkracht (temperatuur).



## AFSLUITEN

- Druk tijdens de werking van de inductiekookplaat één keer op de aan/uit-knop (7), het aan/uit-lampje knippert, de digitale buis geeft " --- " weer en de andere indicatielampjes zijn uit, wat aangeeft dat het apparaat in stand-by staat.

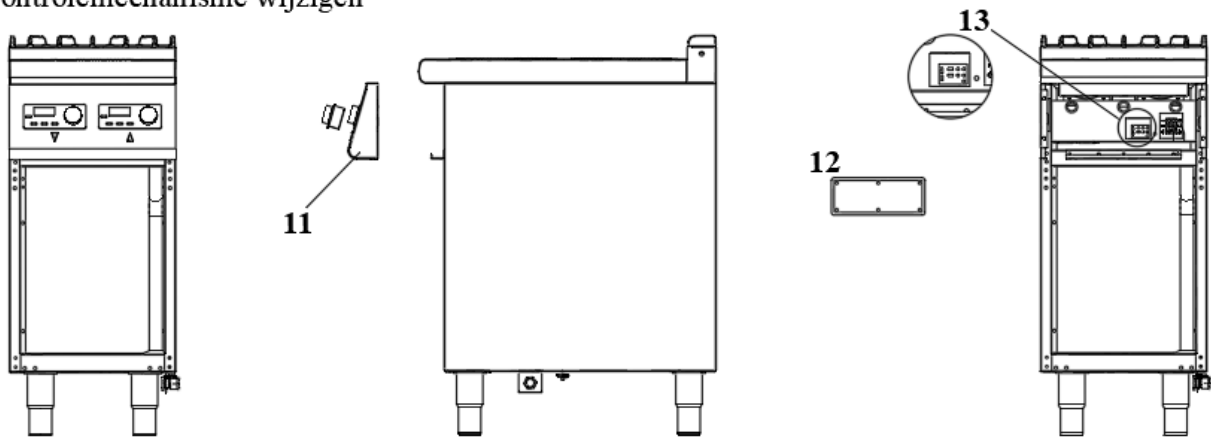
## ONDERHOUD

- Voer geen onderhoud uit wanneer het apparaat onder stroom staat.
- Voordat het volledig is afgekoeld, veegt u het apparaat schoon met een doek die is ondergedompeld in een warm sopje.
- Gebruik geen schoonmaakmiddelen en gereedschappen die krassen op het oppervlak van het apparaat kunnen veroorzaken.
- Reinig het apparaat niet met water- of dampdruk. Anders kunt u een defecte elektrische plaat veroorzaken.
- Als het apparaat gedurende een lange periode niet zal worden gebruikt, bedek de oppervlakken dan met een dun laagje vaseline. In geval van een gevaarlijke situatie met het apparaat, waarschuw dan de geautoriseerde service. Laat nooit onbevoegden zich met het apparaat bemoeien.
- Voer geen onderhoud uit wanneer het apparaat onder stroom staat.

## WIJZIGING VAN HET BEDIENINGSPANEEL

- Verwijder het voorpaneel met een geschikte schroevendraaier van de onderkant van het paneel. (11)
- Draai het paneel naar achteren om het gemakkelijk te kunnen verwijderen en verwijder daarna de paneelschroeven van achteren met een schroevendraaier. (12)
- Verwijder de kabelaanluitbus van het bedieningspaneel met de hand van de printplaat. (13)

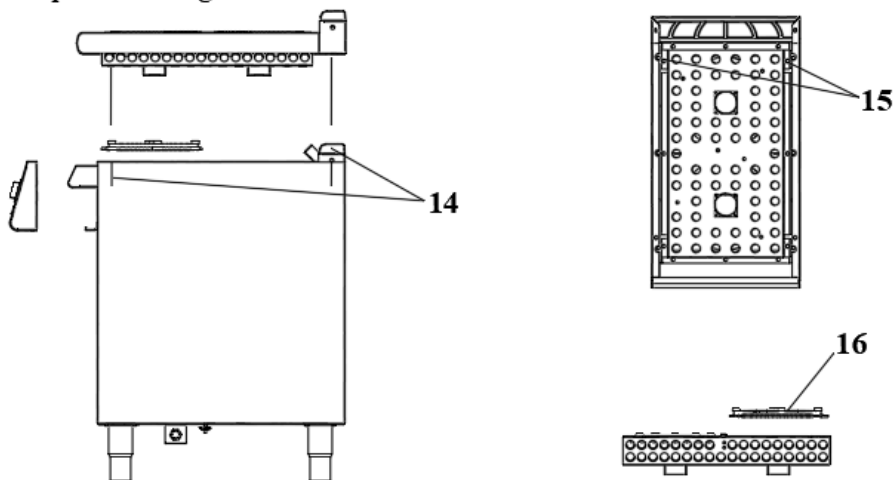
### Controlemechanisme wijzigen



### SPOEL WISSELEN

- Draai de bovenplaat met de juiste sleutel van binnenuit los en draai de bovenplaat zijwaarts (14)
- Verwijder de schroef van het bevestigingsdeel van de spoel met een geschikte sleutel (15)
- Schroef de aansluitschroef van de spoel los met een geschikte sleutel (16)

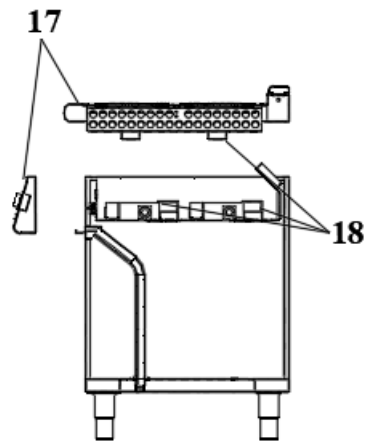
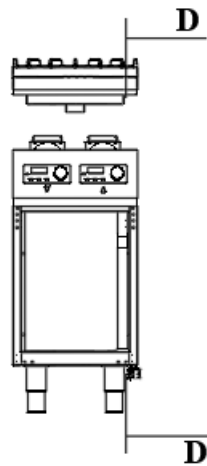
### Spoel vervangen



### PCB & VENTILATOR WISSELEN

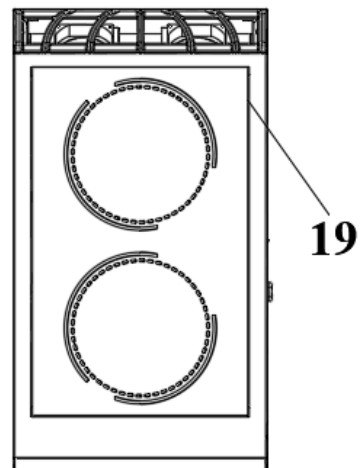
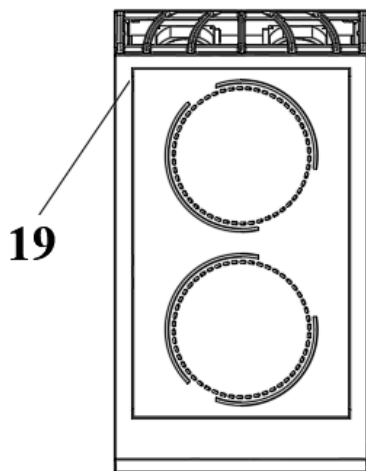
- Verwijder het voorpaneel en de bovenste tafel van onderen met een geschikte sleutel (17)
- Verwijder na het verwijderen van het voorpaneel en de boventafel de ventilatorvoeten met hand- en spoelkabels van de schroeven. (18)

## PCB - en ventilatorwissel



## VERANDERING VAN KERAMISCH GLAS

- Verwijder het glas door de siliconen rondom het keramisch glas schoon te maken.
- Reinig het oppervlak waarop het glas wordt bevestigd met een siliconenspray, knijp de juiste siliconen uit en plaats het glas in het midden.
- Nadat u er een geschikt gewicht op hebt geplaatst, strijkt u de overlopende siliconen glad met het plastic apparaat en wacht u tot het 12 uur droog is.



## AANDACHT

- Droog stoken in lege pot is ten strengste verboden;
- Voordat de stroom wordt losgekoppeld, moet de inductiekookplaat zijn uitgeschakeld en stand-by staan;
- Koppel de stroom los als u deze lange tijd niet gebruikt;
- Als de kachel glaskeramik heeft, zorg dan dat u niet geraakt wordt door harde voorwerpen en gebruik bijpassende pannen;
- Als het glaskeramik beschadigd is, stop dan onmiddellijk met het gebruik en koppel de stroomtoevoer los;
- Let bij het reinigen van de kachel op de waterdichtheid (kan niet met straalwater worden gereinigd)
- Deze inductiekookplaat kan niet worden gebruikt voor het koken van pap of sojamelk, anders zal het snel droogbranden en gevaar opleveren;
- Het concave kookgerei dat in deze kachel wordt gebruikt, is afgestemd op de fabrikant. Als de gebruiker het moet vervangen, kies dan dezelfde maat en hetzelfde materiaal (ijzer) als de fabrikant, of neem contact op met de fabrikant om het te kopen. Anders voldoet de vuurkracht mogelijk niet aan de vereisten en kan zelfs het glas breken en gevaar veroorzaken. Platte tafelpotten moeten gemaakt zijn van ijzeren potten met een bodemdiameter van meer dan 26 cm. Potten met een diameter kleiner dan 33 cm mogen in totaal niet zwaarder zijn dan 10 kg. Potten met een diameter groter dan 33 cm mogen in totaal niet zwaarder zijn dan 20 kg om schade te voorkomen. Glas is gevaarlijk.
- Tijdens het gebruik van het fornuis zijn metalen voorwerpen zoals keukengerei, messen en vorken niet toegestaan
- Plaats het in de kookruimte op de kookplaat, anders zal het, wanneer het zich in de buurt van de wok bevindt (binnen het magnetische veld), automatisch opwarmen en gevaar opleveren;
- Plaats geen aluminiumfolie of plastic bakjes op een heet oppervlak en stapel geen voorwerpen op het oppervlak van de kachel;
- Als de operator tijdens het gebruik metalen (ijzeren) sieraden (ringen, armbanden, horloges, enz.) aan zijn handen draagt, kunnen de sieraden automatisch opwarmen wanneer zijn handen in de buurt van de wok komen (binnen het magnetische veld). Stop op dat moment de werking onmiddellijk en verwijder de accessoires.
- Gebruikers met pacemakers dienen de fabrikant te raadplegen alvorens de kachel te gebruiken;
- Als de kachel defect is, kan deze alleen worden gerepareerd door personeel dat is opgeleid of aanbevolen door de fabrikant.



## Probleemoplossen

<b>Foutcode</b>	<b>Falen fenomeen</b>	<b>Wijze van uitsluiting</b>
"E01" knippert	IGBT-sensor open circuit	1. Controleer of de IGBT-sensor open is 2. Controleer of de IGBT-aansluiting los zit
"E02" knippert	IGBT-sensor kortsluiting	1. Controleer of de IGBT-sensor open is 2. Controleer of de IGBT-aansluiting los zit
"E03" knippert	Draadhaspelsensor open circuit	1. Controleer of de IGBT-sensor beschadigd is 2. Controleer of de sensorkabel is losgekoppeld en of er slecht contact is.
"E04" knippert	De draadhaspeltemperatuur is hoog of de draadhaspelsensor is kortgesloten	1. Controleer of de sensor beschadigd is 2. Controleer of de sensorkabel is losgekoppeld 3. Controleer of de sensorinterface los zit 4. Controleer of de koelventilator van de spoelschijf draait of dat de snelheid of de snelheid te laag is 5. Controleer of de luchtinlaat of uitlaatopening is geblokkeerd.
"E05" knippert	Ovensensor open circuit	1. Controleer of de sensorkabel is losgekoppeld en of er slecht contact is
"E06" knippert	Ovensensor open circuit	1. Controleer of de sensor beschadigd is 2. Controleer of de sensorlijn is kortgesloten
"E07" knippert	Netspanning is te laag	1. Controleer voor 220V-modellen of de netspanning lager is dan 150V en voor 380V-modellen of de netspanning lager is dan 350V 2. Controleer of de kerntransformator beschadigd is
"E08" knippert	De netspanning is te hoog	1. Controleer voor de 220V-modellen of de netspanning hoger is dan 260V en voor de 380V-modellen of de netspanning hoger is dan 450V
"F" knippert	IGBT-temperatuur is te hoog	1. Controleer of de bewegingsventilator draait of de snelheid te laag is 2. Controleer of de luchtinlaat of uitlaatopening is geblokkeerd
"E00" knippert	Geen pot of ongepaste pot	1. Controleer of de draadhaspel en de draadhaspelaansluiting los zitten 2. Controleer of de pot ernstig vervormd is 3. Controleer of het gebruikte potmateriaal geschikt is of de bodem van de pot ernstig vervormd is en of de pot in de juiste stand staat.

### **Informatie over compatibiliteit**

Dit apparaat is ontworpen en vervaardigd in overeenstemming met de volgende richtlijnen en normen.



markeringsrichtlijn, 93/68 / EEG

TS EN 60335-1:2012/AC

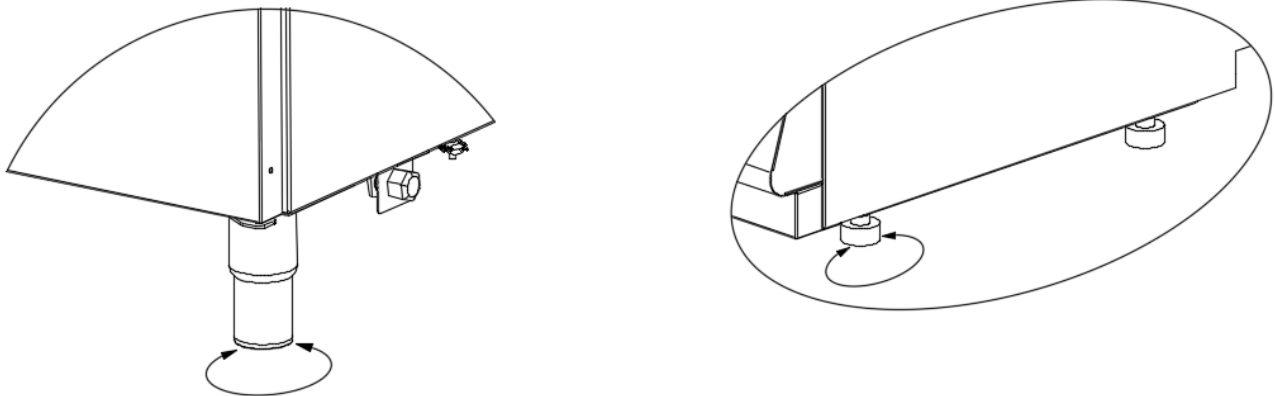
TS EN 60335-2-37

CE-gerelateerd Instructie(s):

2014/35 / EU (laagspanning)

- Aansprakelijkheidsbeperking: Alle technische informatie, bedieningsinstructies en bedienings- en onderhoudsinformatie in deze handleiding bevatten de meest actuele informatie over uw apparaat. De fabrikant aanvaardt geen aansprakelijkheid voor schade of letsel veroorzaakt door het niet volgen van de instructies in deze handleiding, gebruik van het apparaat voor het beoogde doel, ongeoorloofde reparatie of aanpassing of gebruik van reserveonderdelen die niet zijn goedgekeurd door de fabrikant.

### **E. FIGUUR**

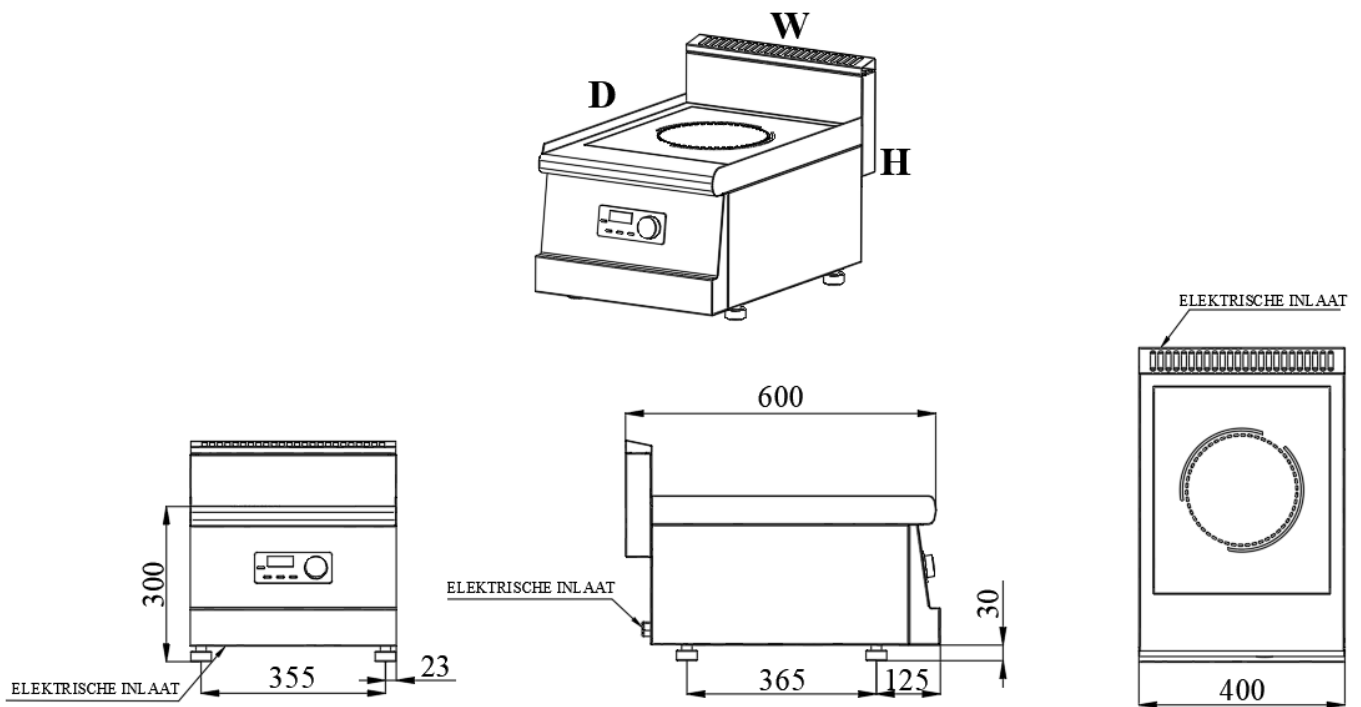


**Figuur A**

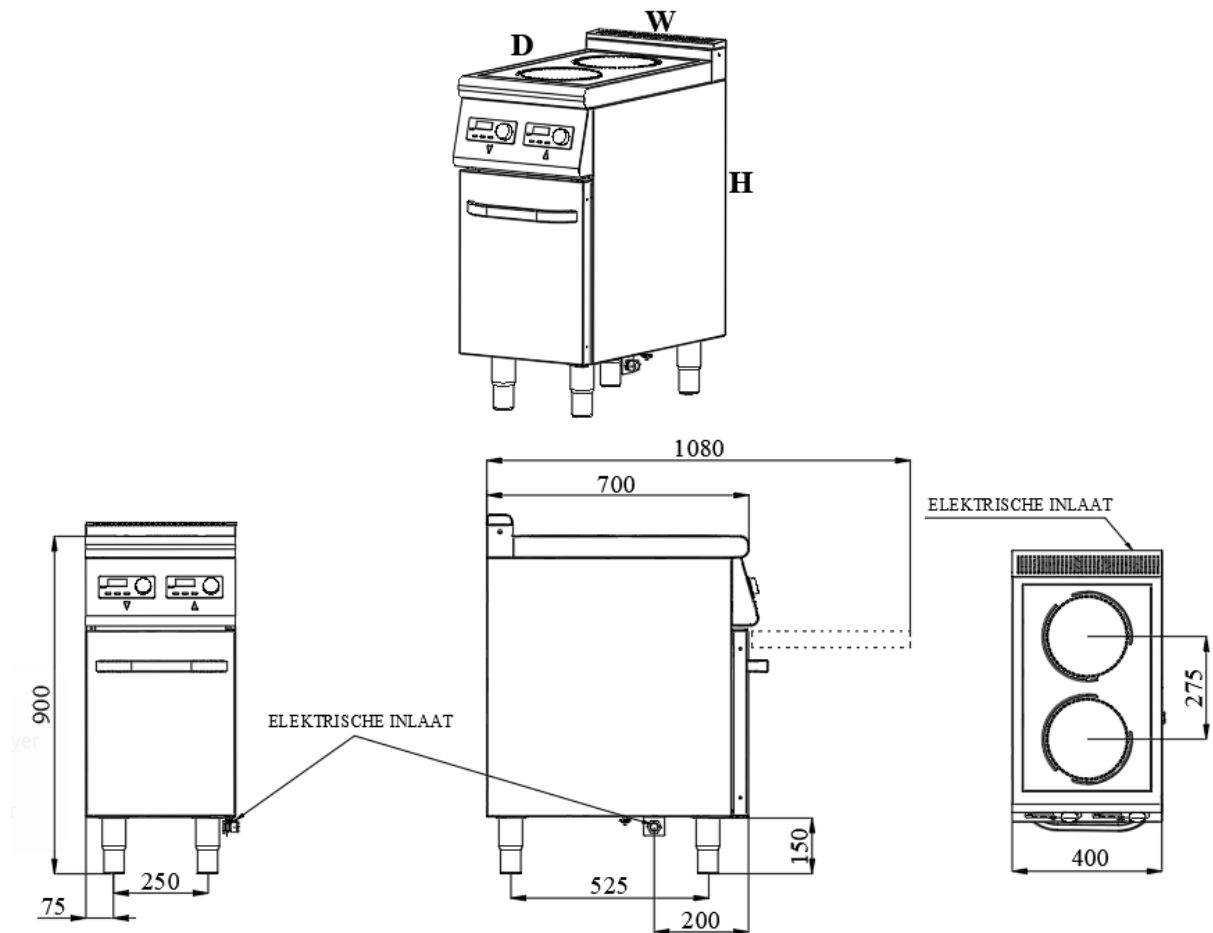
## F. PRODUCTTEKENINGEN

<b>Product</b>	<b>Diepte (W)</b>	<b>Breedte (D)</b>	<b>Hoogte (H)</b>	<b>Elektrischeingang</b>	<b>Vermogen</b>	<b>Kabel Componenten</b>	<b>Gewicht</b>	<b>Volume</b>
<b>7178.0130</b>	400 mm	600 mm	300 mm	230V AC 1N PE	3,5 kW	3x1.5 H05RNF	30 kg	0.18 m <sup>3</sup>
<b>7178.0570</b>	400 mm	700 mm	900 mm	230V AC 1N PE	7 kW	3x2.5 H05RNF	36 kg	0.44 m <sup>3</sup>
<b>7178.0575</b>	800 mm	700 mm	900 mm	400V AC 3N PE	14 kW	5x4 H05RNF	57 kg	0.84 m <sup>3</sup>
<b>7178.0580</b>	400 mm	700 mm	900 mm	230V AC 1N PE	5 kW	3x2.5 H05RNF	45 kg	0.44 m <sup>3</sup>
<b>7178.0330</b>	400 mm	700 mm	300 mm	230V AC 1N PE	7 kW	3x2.5 H05RNF	34 kg	0.21 m <sup>3</sup>
<b>7178.0335</b>	800 mm	700 mm	300 mm	400V AC 3N PE	14 kW	5x4 H05RNF	52 kg	0.36 m <sup>3</sup>
<b>7178.0340</b>	400 mm	700 mm	300 mm	230V AC 1N PE	5 kW	3x2.5 H05RNF	29 kg	0.21 m <sup>3</sup>
<b>7178.3140</b>	400 mm	900 mm	900 mm	400V AC 3N PE	10 kW	5x4 H05RNF	90 kg	0.55 m <sup>3</sup>
<b>7178.3145</b>	800 mm	900 mm	900 mm	400V AC 3N PE	20 kW	5x4 H05RNF	185 kg	1.05 m <sup>3</sup>

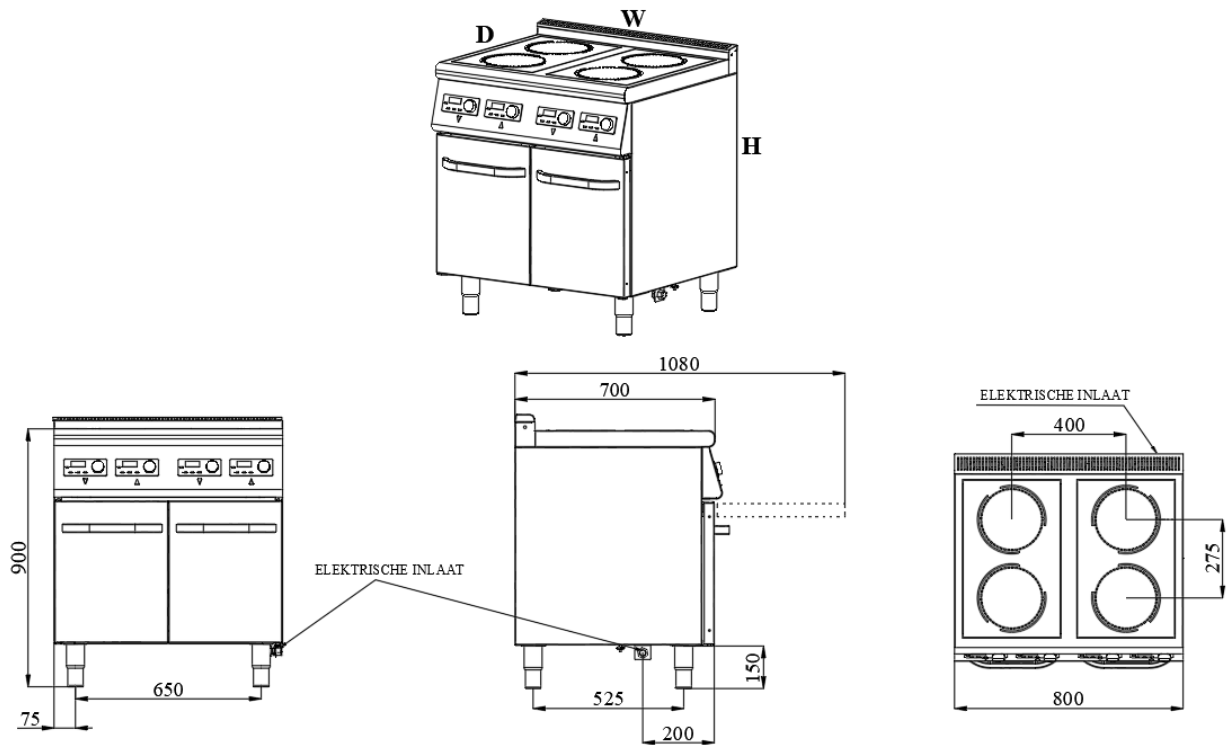
7178.0130



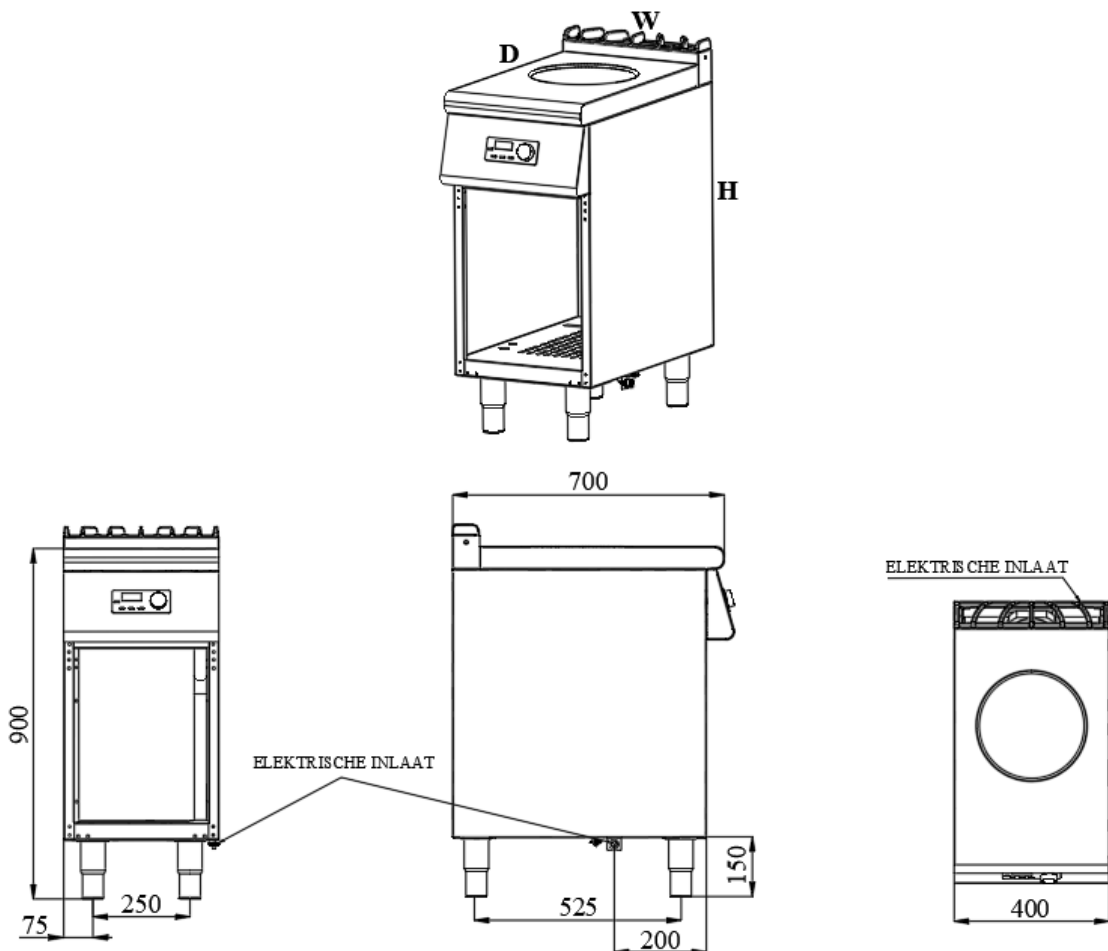
7178.0570



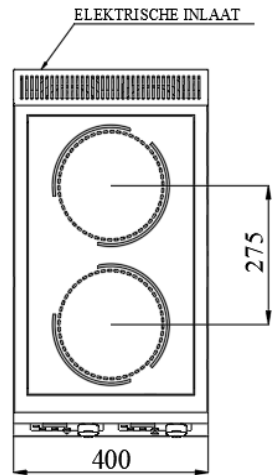
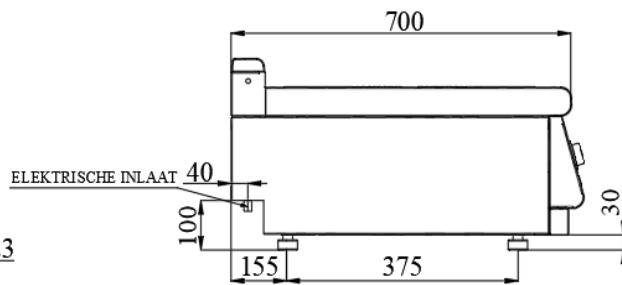
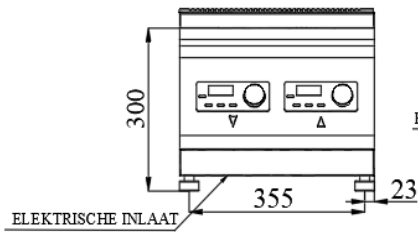
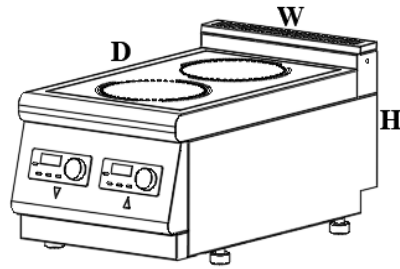
7178.0575



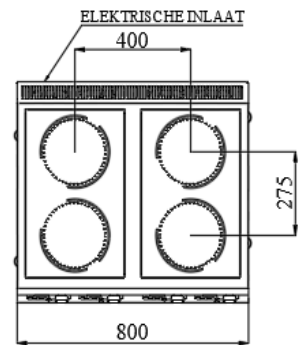
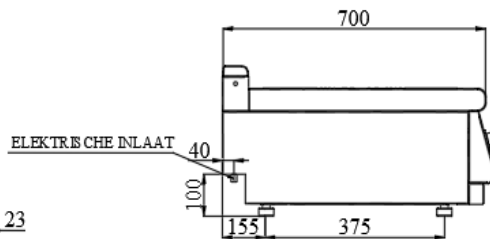
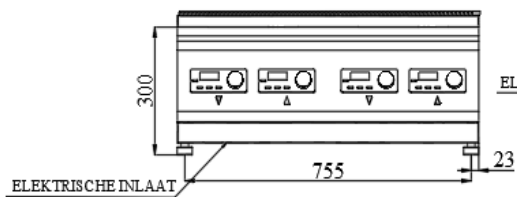
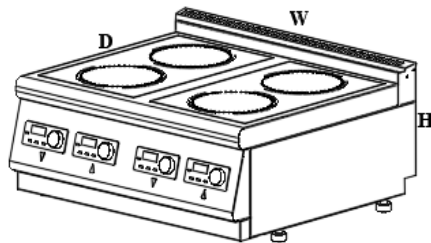
7178.0580



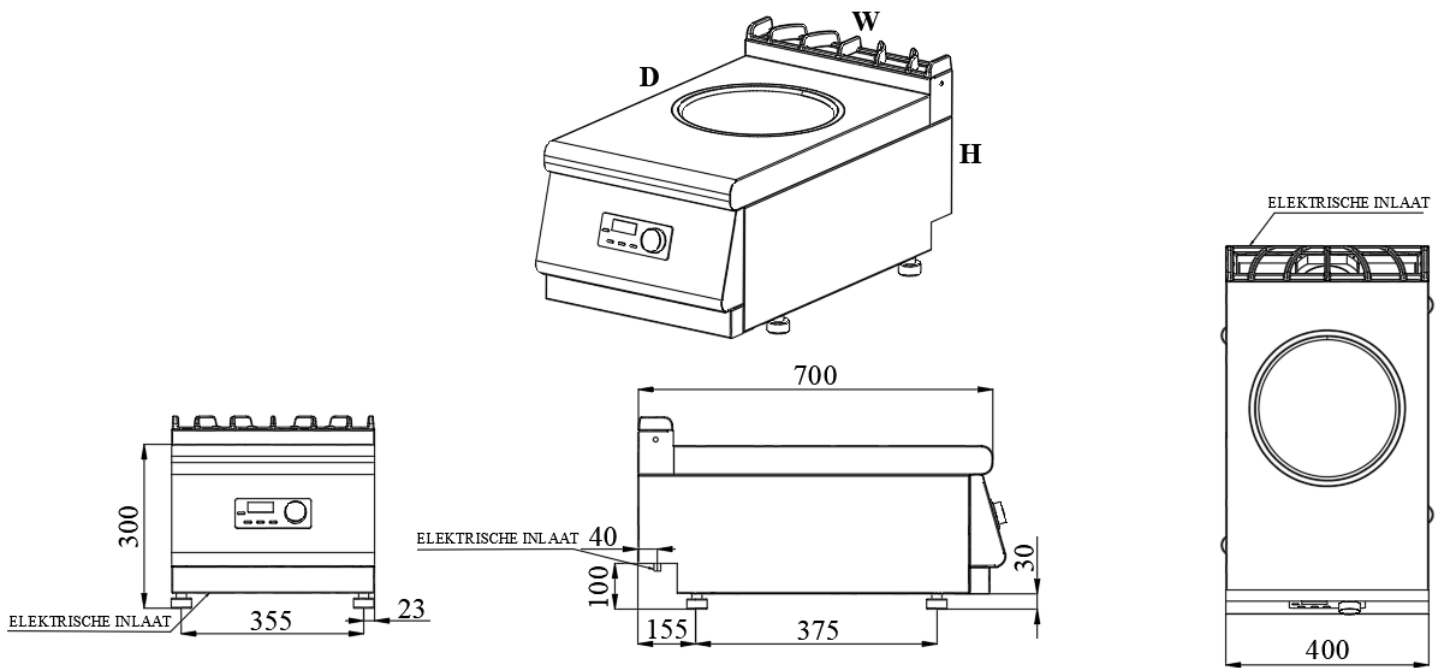
7178.0330



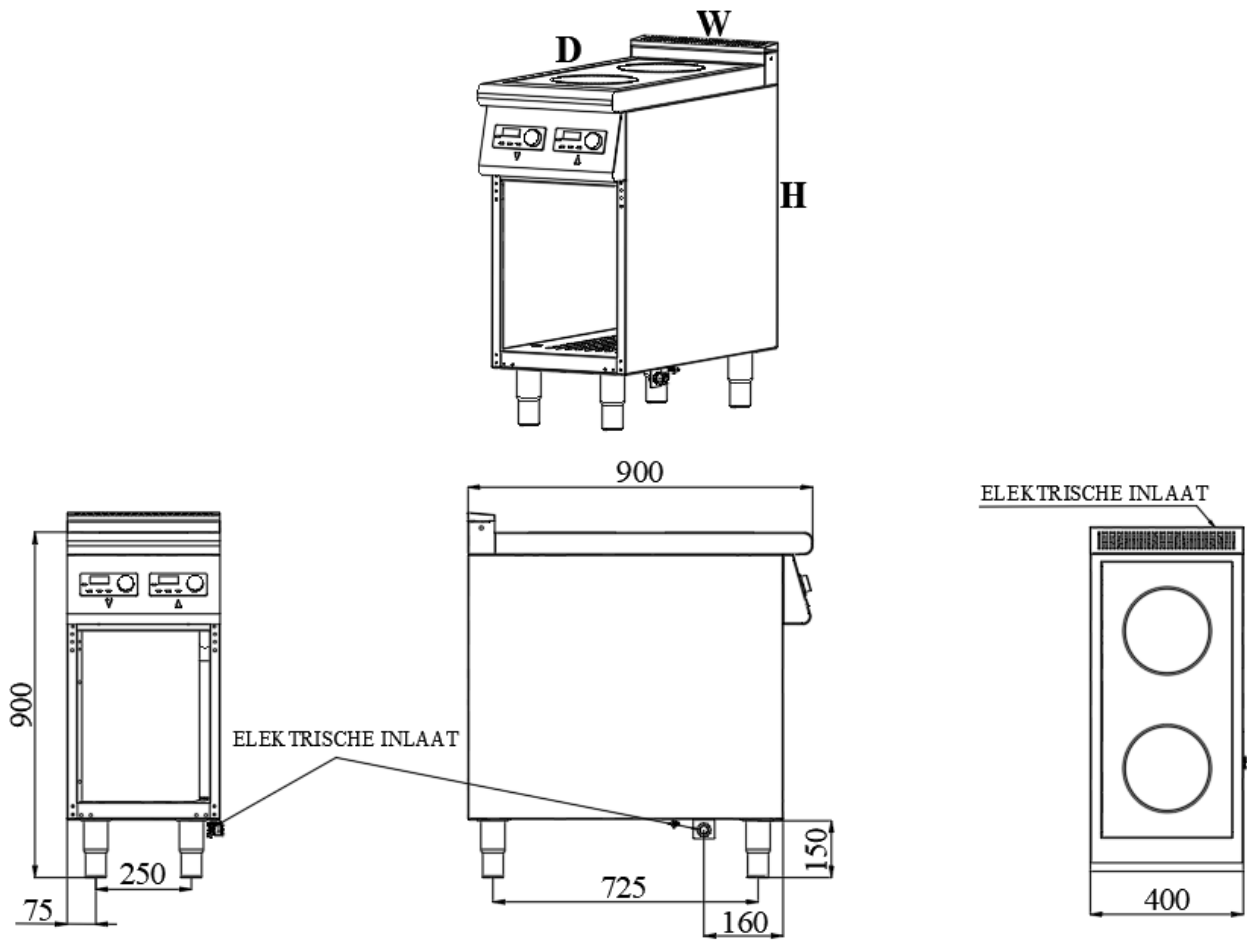
7178.0335



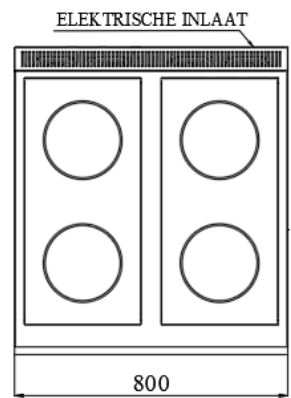
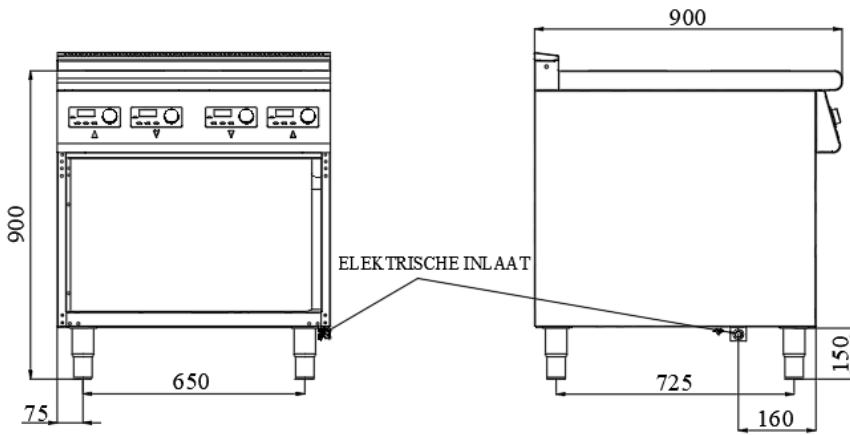
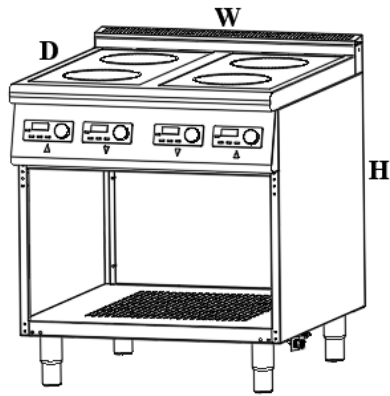
7178.0340



7178.3140



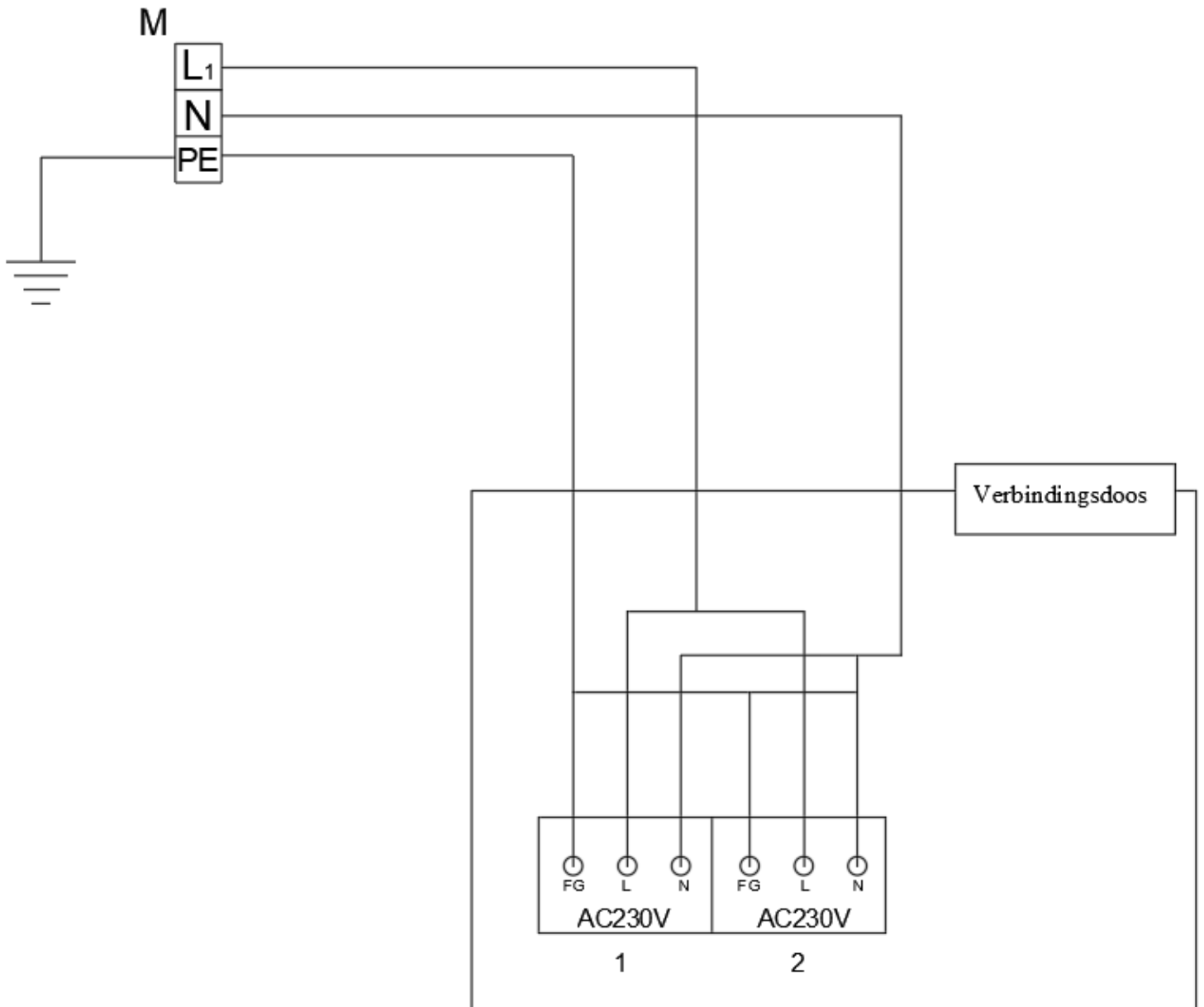
7178.3145

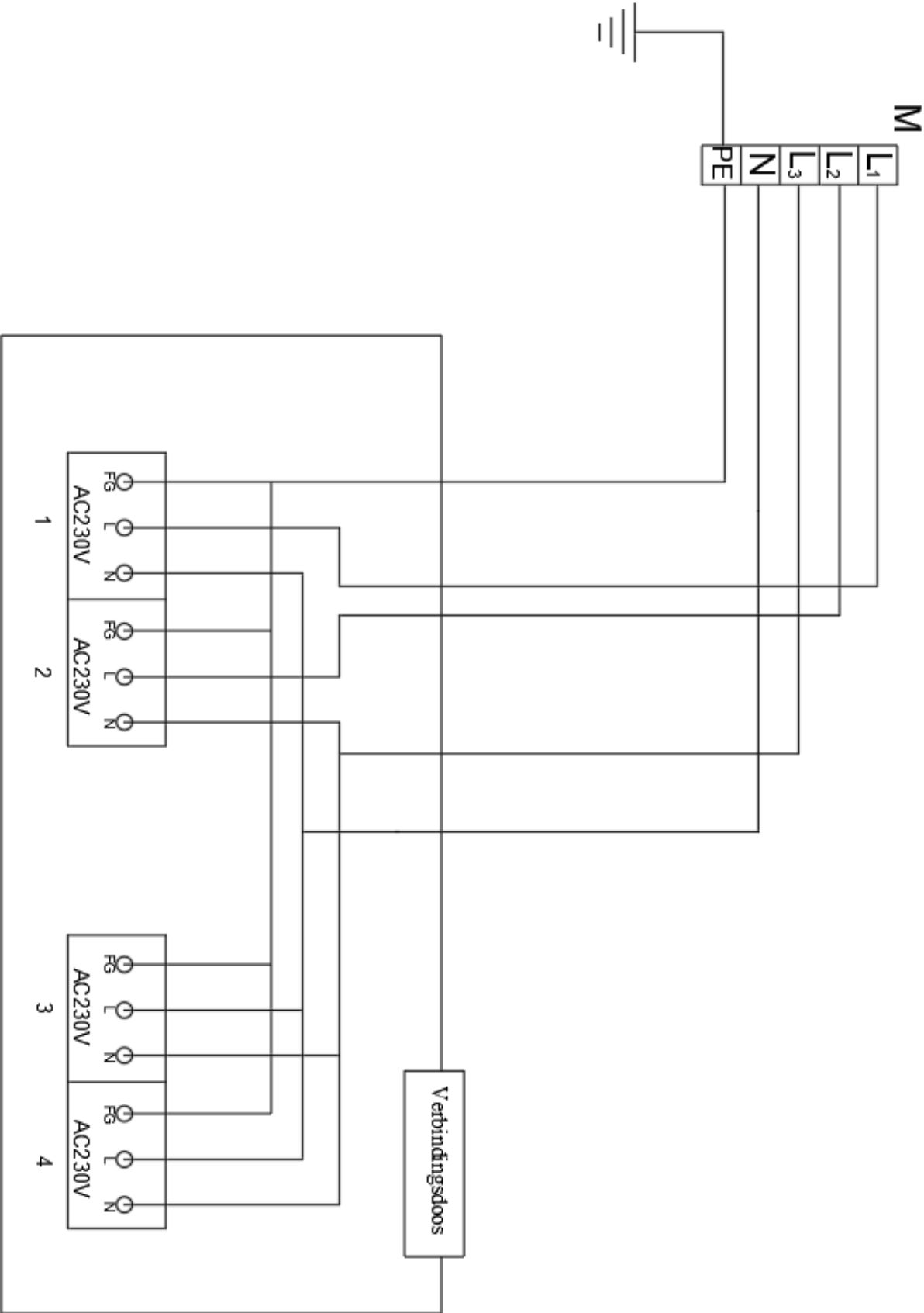


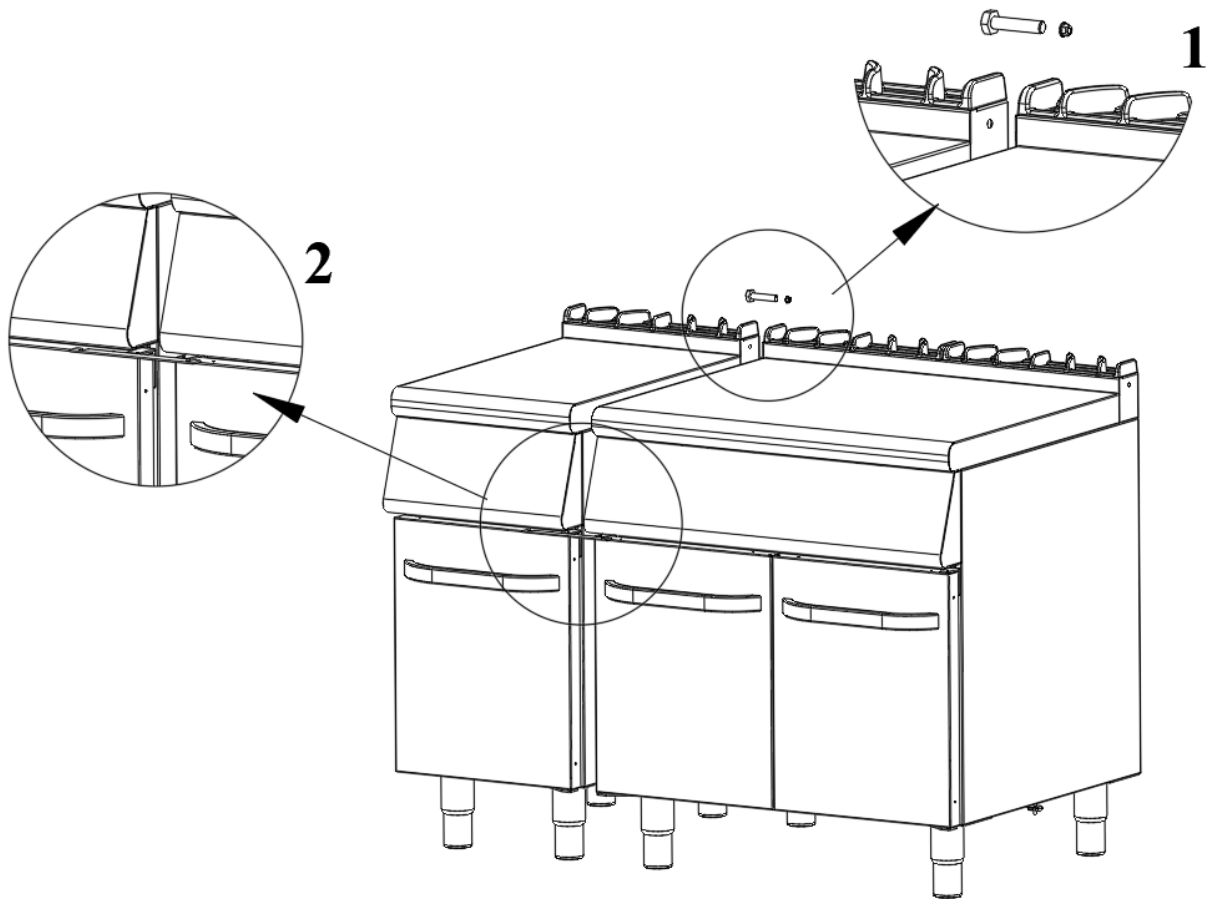


## G. ELEKTRISCHE AANSLUITTEKENINGEN

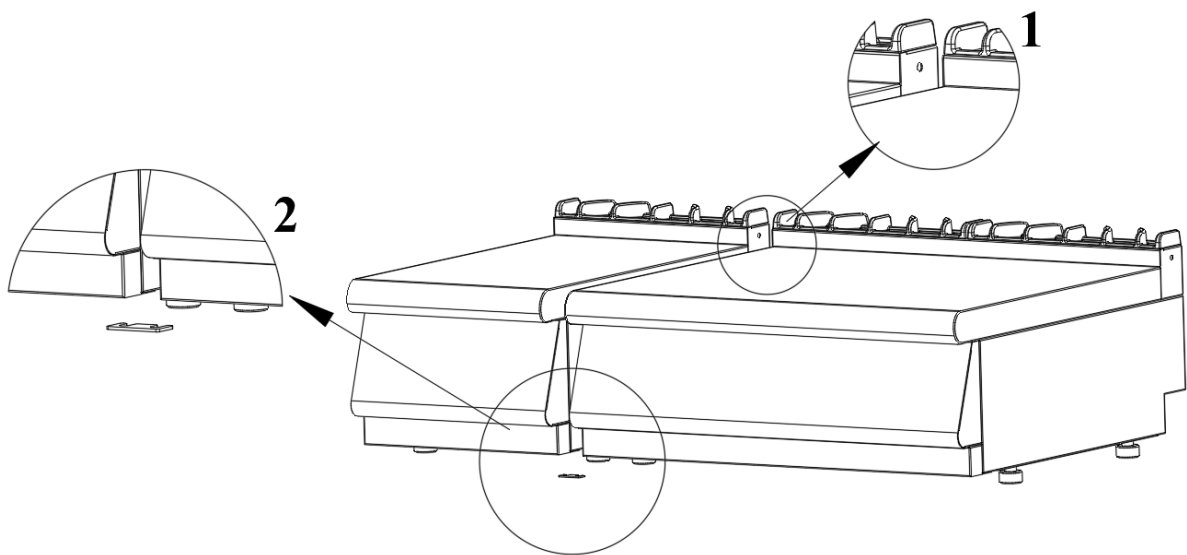
7178.0130 / 7178.0570 / 7178.0580 / 7178.0330 / 7178.0340 /  
7178.3140







**SERIE 700 / 900 Bevestiging**



**600 / 700-S serie apparatuur bevestigings schema**



# **Betriebs- und Wartungsanleitung**

---

**Induktionsherd (Elektrisch)**

## A.BESCHREIBUNG

Sehr geehrter Kunde,

Das von Ihnen bevorzugte COMBISTEEL - Produkt ist umwelt- und technologiefreundlich. Wir bedanken uns für Ihre Wahl.

COMBISTEEL wurde mit dem "Full Quality"- Verständnis in modernen Produktionsanlagen hergestellt.

### **Wichtige Sicherheitsinformationen**

**Lesen Sie dieses Handbuch sorgfältig durch und bewahren Sie es für zukünftige Anwendungen auf.**

**WARNUNG:** Die Geräte müssen von einem autorisierten Servicetechniker installiert werden.

**WARNUNG:** Das Gerät muss geerdet sein.

**WARNUNG:** Wenn die Oberfläche Risse aufweist, trennen Sie das Gerät oder einen entsprechenden Teil des Geräts sofort von der Stromversorgung.



Weist darauf hin, dass die Gefahr von Personen- oder Sachschäden besteht.



Explosions- / Brandgefahr



Hochspannung, seien Sie vorsichtig bei der Reparatur des Betriebs, Nichtfachleute zerlegen nicht



Der Induktionsherd erzeugt während des Betriebs ein Magnetfeld, achten Sie beim Betrieb darauf.

- Die Anweisungen in diesem Handbuch enthalten wichtige Informationen zur sicheren Montage, Verwendung, Reinigung und Wartung des Geräts. Bewahren Sie das Handbuch daher an einem Ort auf, der für die Person, die die Maschine verwendet, und den Techniker leicht zugänglich ist.
- Montage-, Elektroanschluss- und Wartungsarbeiten des Gerätes sind von einer hierzu autorisierten Fachkraft und nach den Anweisungen der Herstellerfirma durchzuführen.
- Der elektrische Anschluss des Geräts sollte gemäß den Tabellen und dem Schaltplan in dieser Anleitung erfolgen.
- Die Herstellerfirma übernimmt keine Verantwortung für die endgültigen Schäden an Menschen oder Sachen, die durch Verfahren verursacht werden, die nicht der Bedienungsanleitung entsprechen, oder Wartungsarbeiten oder technische Eingriffe, die nicht von autorisiertem Personal durchgeführt wurden.

- Bei Geräten mit Kochfeldern aus Glaskeramik oder ähnlichem Material ist in der Gebrauchsanweisung darauf hinzuweisen, dass Alufolie und Kunststoffgefäße nicht auf die heißen Flächen gestellt werden dürfen.
- Sie müssen auch darauf hinweisen, dass diese Flächen nicht zur Lagerung verwendet werden sollen
- Metallische Gegenstände wie Küchenutensilien, Besteck usw. dürfen nicht auf der Kochfeldoberfläche innerhalb der Kochzonen abgelegt werden, da sie heiß werden könnten;
- Seien Sie beim Betrieb des Geräts vorsichtig, da vom Benutzer getragene Ringe, Uhren und ähnliche Gegenstände heiß werden können, wenn sie sich in unmittelbarer Nähe der Kochfeldoberfläche befinden;
- Verwenden Sie nur Gefäße der empfohlenen Art und Größe.

## **B. PRODUCKTE**

CODE	BEZEICHNUNG	SERIE
7178.0130	Elektrischer Induktionsherd, Tischmodell, 1 runde Platten	600
7178.0570	Elektrischer Induktionsherd, 2 runde Platten	700
7178.0575	Elektrischer Induktionsherd, 4 runde Platten	700
7178.0580	Elektro-Wokkocher, 1 runde Platten	700
7178.0330	Elektrischer Induktionsherd, Tischmodell, 2 runde Platten	700S
7178.0335	Elektrischer Induktionsherd, Tischmodell, 4 runde Platten	700S
7178.0340	Elektro-Wokkocher, Tischmodell, 1 runde Platten	700S
7178.3140	Elektrischer Induktionsherd, 2 runde Platten	900
7178.3145	Elektrischer Induktionsherd, 4 runde Platten	900

## **C. INSTALLATIONSANLEITUNG**

### **Aufstellen**

- Die Installation und Einstellung des Geräts sollte von technischem Personal des autorisierten Kundendiensts durchgeführt werden.
- Stellen Sie das Gerät unter eine Dunstabzugshaube mit Filter, um Gerüche und Dämpfe zu beseitigen, die beim Kochen entstehen können.
- Das Gerät sollte auf einer ebenen Fläche aufgestellt werden, indem es angemessen auf den vier verstellbaren Beinen balanciert wird. (Abbildung A)
- Entfernen Sie das Schutznylon am Gerät. Reinigen Sie die auf dem Gerät verbliebenen Klebpartikel mit einem geeigneten Reinigungsmittel.

- Lassen Sie hinter dem Ofen einen Freiraum von ca. 20 cm, damit der Lüfter die Wärme abführen kann.

### **Elektrischer Anschluss**

- Schließen Sie das Gerät gemäß den elektrischen Normen des jeweiligen Landes an die Elektroinstallation an.
- Versorgen Sie das Gerät mit der auf dem Typenschild angegebenen geeigneten Netzspannung.
- Über eine geeignete automatische Sicherung mit der Elektroinstallation verbinden. Bringen Sie die besagte Sicherung an einer im Gefahrenfall leicht zugänglichen Stelle an.
- Das Kabel, das das Gerät mit der Elektroinstallation verbindet, sollte mindestens vom Typ H07 RNF sein.
- Bevor Sie das elektrische Eingangskabel an die Eingangsklemme am Gerät anschließen, schließen Sie das Kabel an, indem Sie es durch die Eingangskupplung führen. Ziehen Sie dann die Kupplungsabdeckung so fest, dass kein Kabelrücklauf möglich ist.
- Elektrischer Eingang ist mit einem Aufkleber am Gerät gekennzeichnet.
- Wenn das Gerät in einer gewerblichen Küche verwendet wird, wenden Sie ein korrektes Erdungssystem an. Beachten Sie hier DIN VDE D100 Artikel 540.
- Erdungsschraube "⚡" ist mit einem Aufkleber hinter dem Gerät gekennzeichnet.

## **D. BENUTZERHINWEISE UND ZU BEACHTENDE PUNKTE**

- Der Induktionsherd ist eine neue Herdart auf dem Küchengerätemarkt. Es bricht die traditionelle Kochmethode mit offener Flamme. Das Funktionsprinzip der elektromagnetischen Erwärmung besteht darin, einen Hochfrequenzstrom durch die Spulenscheibe zu leiten, um auf beiden Seiten der Spulenscheibe ein Magnetfeld zu erzeugen. Wenn sich der Eisentopf im Magnetfeld befindet, schneidet der Topf die magnetischen Wechselfeldlinien und erzeugt im Topf Wechselströme (dh Wirbelströme). Der Wirbelstrom bewirkt, dass sich die Eisenmoleküle des Topfes zufällig mit hoher Geschwindigkeit bewegen. Die Moleküle kollidieren miteinander und reiben aneinander, um Wärmeenergie zu erzeugen, damit sich das Gerät selbst mit hoher Geschwindigkeit zum Erhitzen und Garen von Speisen aufheizt. Um den Zweck zu erreichen

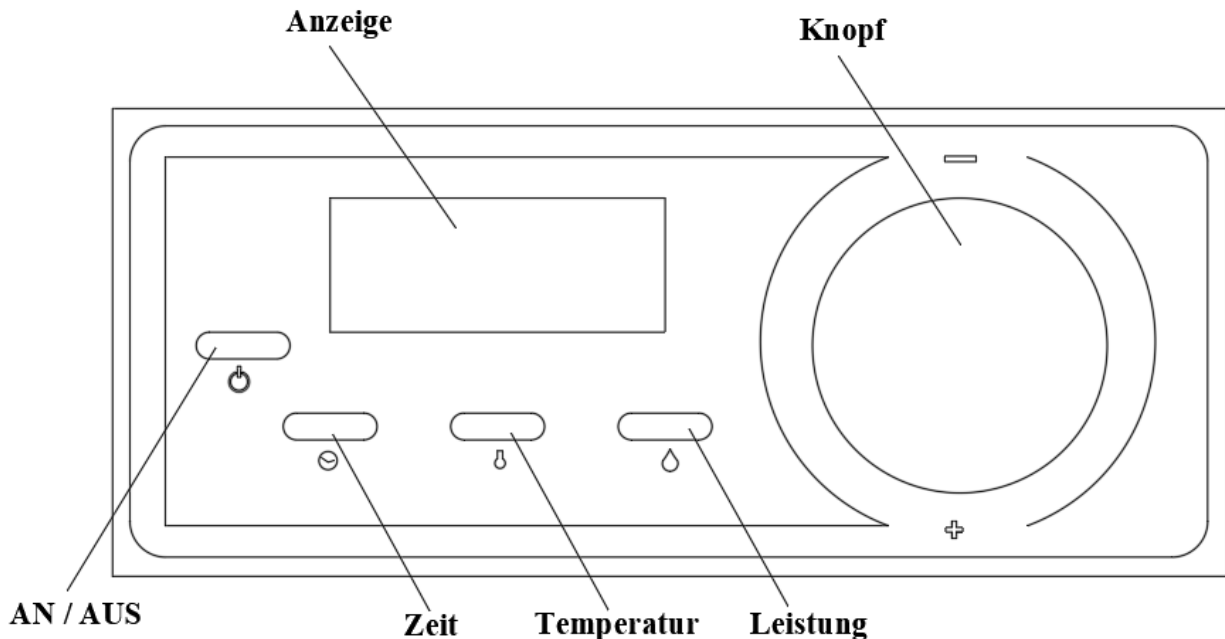
### **VOR DEM GEBRAUCH**

#### **Kontrolle der elektrischen Anlage**

- Kontrollieren Sie nach der Montage die Regelorgane und Heizungen durch Betrieb bei unterschiedlichen Temperaturen.
- Überprüfen Sie nach der Installation und Wartung die Heizleistung des Geräts.
- Bei der Erstinbetriebnahme gibt das Gerät für kurze Zeit Rauch und Gerüche ab. Dieser Rauch und Geruch ist das Ergebnis des Isolationsmaterials und der Substanzen wie Öl usw. auf den Blechoberflächen. Dies ist nicht gefährlich und verschwindet von selbst.

## INBETRIEBNAHME VON HERDEN

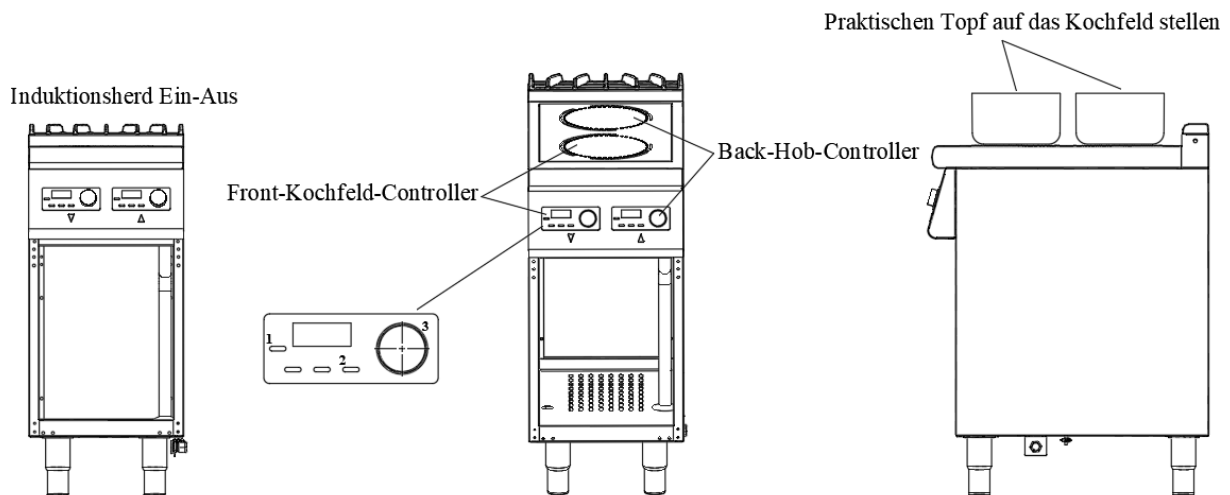
- Einschalten: Schalten Sie den Strom ein, die Anzeigeleuchten sind alle eingeschaltet, und die digitale Röhre zeigt das entsprechende Modell an, z. B. "P350" für 3500-W-Flachherdofenserie, "A350" für 3500-W-Konkavofenserie, "P250" Für die 2500-W-Flachkopfofenserie bedeutet "A250" "2500-W-Konkavofenserie", "P500" bedeutet 5000-W-Flachofenserie und "A500" bedeutet 5000-W-Konkavofenserie. "P-15" bedeutet 15-KW-Flachofen Serie, "A-20" bedeutet konkave Bratofenserie mit 20 kW. Nach etwa 2 Sekunden ist die Kontrollleuchte aus, die Betriebsanzeige blinkt und die Digitalanzeige "---" zeigt den Standby-Zustand an.



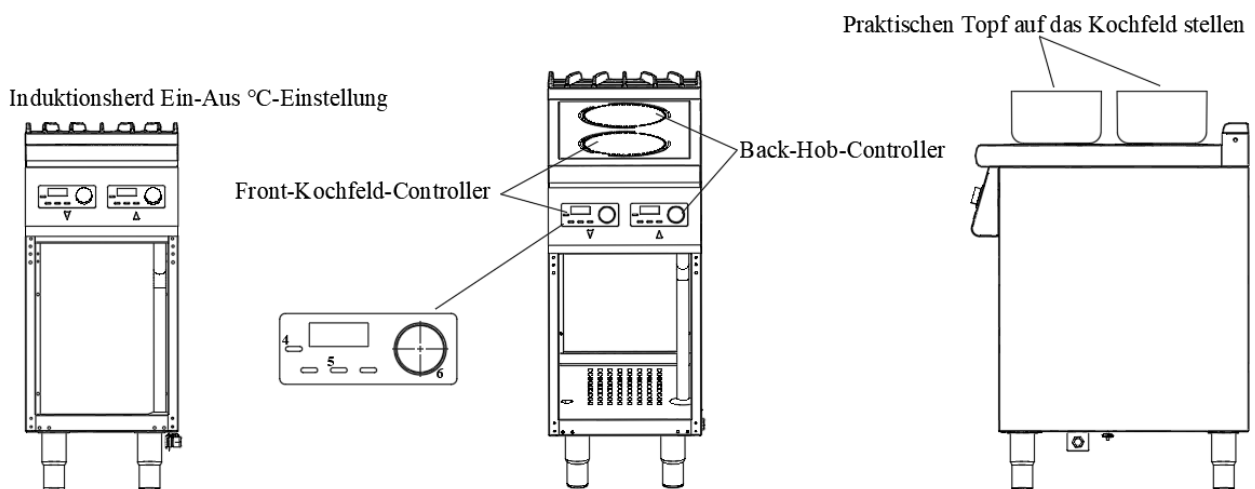
## ANMACHEN

- Nach etwa 2 Sekunden erlischt die Kontrollleuchte, die Betriebsanzeige blinkt und die Digitalanzeige "----" zeigt den Standby-Zustand an.
- **Einschalten:** Drücken Sie einmal die Einschalttaste (1) (Hinweis: Wenn alle Touch-Tasten bedient werden, drücken Sie den Finger in der Mitte des entsprechenden Tastenmusters. Jedes Mal, wenn Sie ihn drücken, sollten Sie eine Weile bleiben, und dann loslassen. Da der Taster die Funktion hat, Fehlbedienungen zu verhindern, sollte der Taster nicht zu schnell betätigt werden, sonst ist der Schlüssel ungültig, die Digitalanzeige "on", Taste "Feuerkraft" (2) erneut drücken, die entsprechende Leistung wird angezeigt, der standardmäßige maximale Gang; oder drücken Sie einmal die Taste "feste Temperatur", um die entsprechende eingestellte Temperatur anzuzeigen Wenn Sie während des Konstanttemperaturvorgangs die Taste "Feuerkraft" drücken, kann auch auf die Heizfunktion umgestellt werden.
- **Feuerkraft-/Temperatureinstellung:** Stellen Sie die entsprechende Leistung (Feuerkraft) und Temperatur mit dem Knopf (3) ein. Im Uhrzeigersinn drehen, um die Feuerkraft (Temperatur) zu erhöhen, und gegen den Uhrzeigersinn drehen, um die Feuerkraft (Temperatur) zu verringern. Die Gänge sind in 9 Stufen (3) unterteilt.





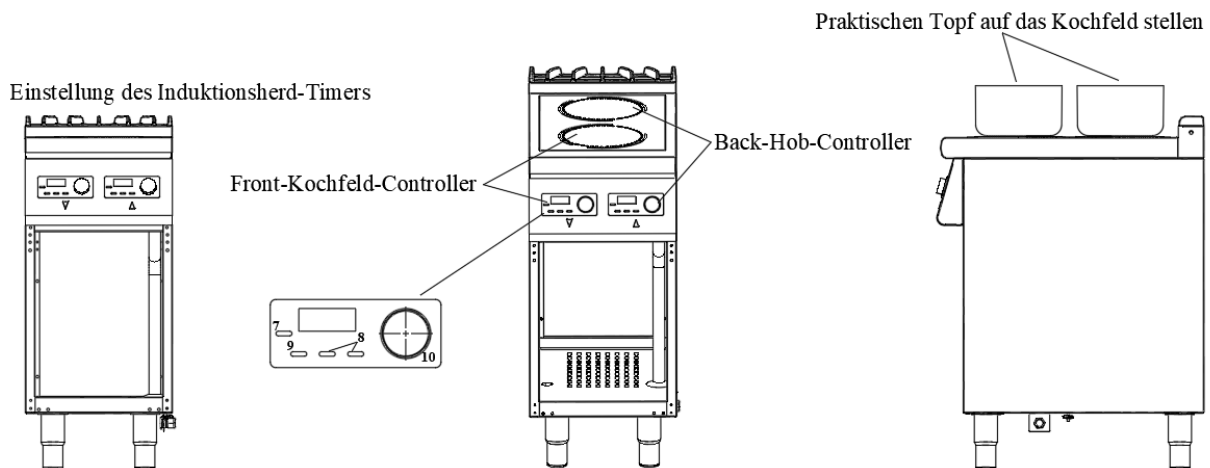
- Konstante Temperaturfunktion:** Schalten Sie ein, drücken Sie die Taste „Feste Temperatur“ oder drücken Sie einmal die Taste "Feste Temperatur" (5), wenn der Induktionsherd in der Heizfunktion arbeitet, das Display zeigt die Gangposition an, z. B. die digitale Anzeige "200C" bedeutet 200°C, Eingabe der Temperaturfunktion, die entsprechende Temperatur kann über den Drehknopf (6) eingestellt werden. Die Rotationstemperatur im Uhrzeigersinn steigt, die Rotationstemperatur im Gegenuhrzeigersinn sinkt und die Gänge sind in 9 Gänge unterteilt.



## ZEITEINSTELLUNG

- Die Timing -Funktion kann für den Heizmodus oder den konstanten Temperaturmodus des Induktionskochers eingestellt werden. Drücken Sie zunächst einmal die Taste oder Temperaturmodus (8), nachdem Sie die Zeittaste (9) drücken und dann die Nummer blinkt und die Einstellung des Timing -Stillstands eingeben. Wenn die Zeitstaste zum ersten Mal gedrückt wird.
- Das Nixie -Röhrchen zeigt "00:00" Blinken, was darauf hinweist, dass die Timing -Zeit 0 Minuten beträgt (dh kein Timing).

- Die erforderliche Zeitzeit kann durch den Knopf eingestellt werden (10). Die Rotationszeit im Uhrzeigersinn fügt 10 Minuten hinzu, und die Rotationszeit gegen den Uhrzeigersinn subtrahiert 1 Minute. Die maximale Zeitzeit kann auf 23:59 festgelegt werden. Wenn Sie den Knopf nicht einstellen, bestätigt er nach etwa 5 Sekunden automatisch und tritt den Countdown ein. Wenn Sie innerhalb von 5 Sekunden die Taste "Timing" erneut drücken, wird die Timing -Einstellung storniert. Darüber hinaus funktioniert das Timing nicht, wenn es 00:00 angezeigt wird.
- Nach Abschluss der Zeiteinstellung beginnt das Timing. Nach dem Start des Timers wechselt das Display zwischen Zeit und Feuerkraft (Temperatur) hin und her.



## ABSCHALTEN

- Drücken Sie während des Betriebs des Induktionsherds einmal den Netzschalter (7), die Netzanzeige blinkt, die digitale Röhre zeigt " --- " an und die anderen Anzeigeleuchten sind aus, was darauf hinweist, dass er in den Standby-Zustand wechselt.

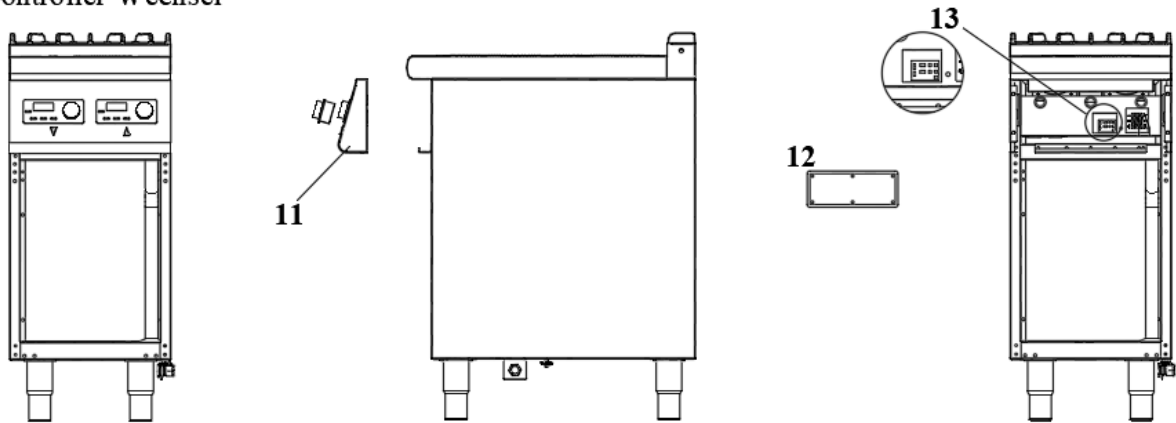
## WARTUNG

- Führen Sie keine Wartungsarbeiten durch, wenn das Gerät mit elektrischer Energie geladen ist.
- Wischen Sie das Gerät vor dem vollständigen Abkühlen mit einem in warme Seifenlauge getauchten Tuch ab.
- Verwenden Sie keine Reinigungsmittel und Werkzeuge, die Kratzer auf der Geräteoberfläche verursachen können.
- Reinigen Sie das Gerät nicht mit Wasser oder Dampfdruck. Andernfalls kann es zu einem Ausfall der elektrischen Platte kommen.
- Wenn das Gerät längere Zeit nicht benutzt wird, bestreichen Sie die Oberflächen mit einer dünnen Schicht Vaseline. Im Falle eines gefährlichen Zustands mit dem Gerät benachrichtigen Sie den autorisierten Service. Lassen Sie niemals unbefugte Personen in das Gerät eingreifen.
- Führen Sie keine Wartungsarbeiten durch, wenn das Gerät mit elektrischer Energie geladen ist.

## ÄNDERUNG DES BEDIENFELDS

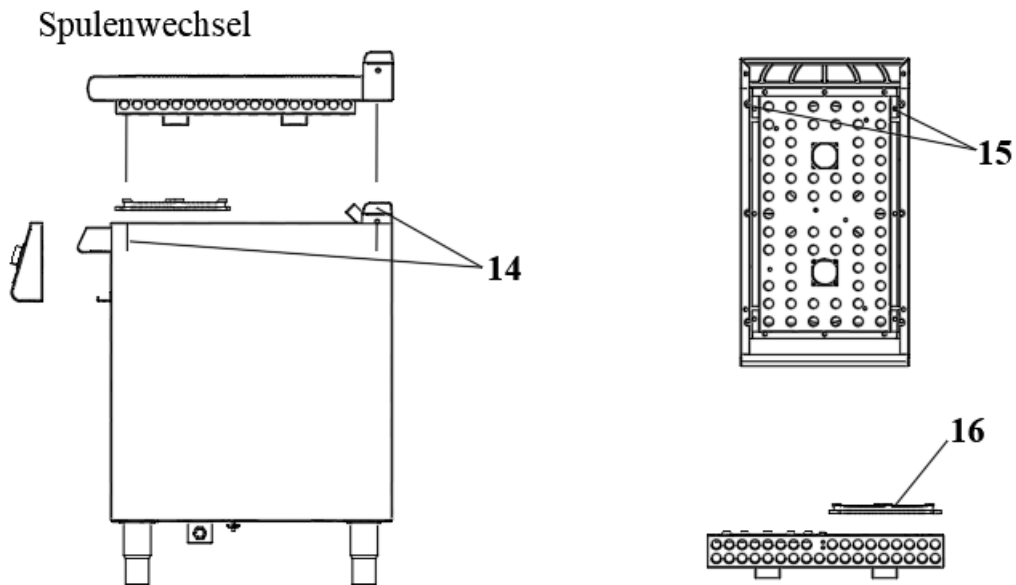
- Entfernen Sie die Frontplatte mit entsprechendem Schraubendreher vom Feld unten. (11)
- Drehen Sie die Platte nach hinten, um das Entfernen zu entfernen, und entfernen Sie nach dem Entfernen der Plattenschrauben von der Rückseite mit Schraubendreher. (12)
- Entfernen Sie die Anschlusssocket der Bedienfeldkabel mit der Hand aus der Leiterplatte. (13)

## Controller-Wechsel



## SPULENWECHSEL

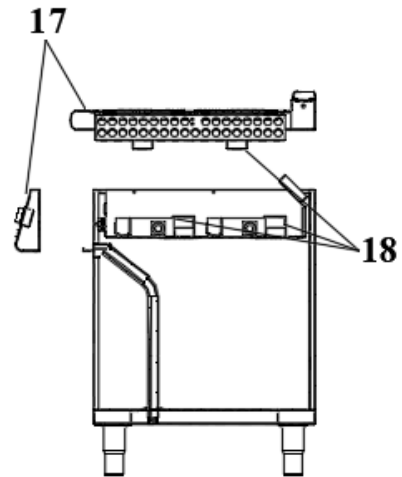
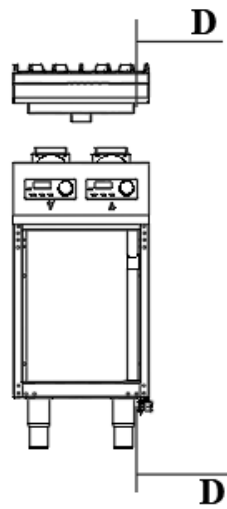
- Oberplatte mit passendem Schraubenschlüssel von innen abschrauben und Oberplatte seitlich drehen (14)
- Entfernen Sie die Schraube des Spulenbefestigungsteils mit einem geeigneten Schraubenschlüssel (15)
- Lösen Sie die Verbindungsschraube der Spule mit einem geeigneten Schlüssel (16)



## PCB & LÜFTER WECHSELN

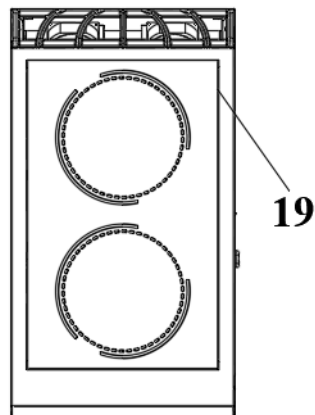
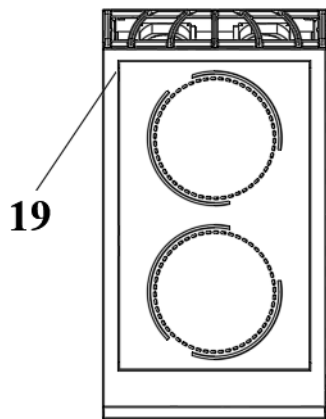
- Entfernen Sie die Frontplatte und den oberen Tisch von unten mit einem geeigneten Schlüssel (17)
- Nach dem Entfernen der Frontplatte und des oberen Tisches die Lüftersockel mit Hand- und Spiralkabel von den Schrauben lösen. (18)

## PCB - und Lüfterwechsel



## KERAMIK GLASWECHSEL

- Entfernen Sie das Glas, indem Sie das Silikon um das Keramikglas herum reinigen.
- Reinigen Sie die Oberfläche, auf der das Glas befestigt werden soll, mit einem Silikon-Reinigungsspray, drücken Sie das entsprechende Silikon aus und platzieren Sie das Glas in der Mitte.
- Nachdem Sie ein geeignetes Gewicht darauf gelegt haben, glätten Sie das überlaufende Silikon mit dem Kunststoffgerät und warten Sie 12 Stunden, bis es getrocknet ist.



## ACHTUNG

- Trockenes Brennen im leeren Topf ist streng verboten;
- Bevor die Stromversorgung unterbrochen wird, muss der Induktionsherd ausgeschaltet und in einen Standby-Zustand versetzt werden;
- Bitte trennen Sie das Gerät von der Stromversorgung, wenn es längere Zeit nicht benutzt wird;
- Achten Sie bei Herden mit Glaskeramik darauf, nicht von harten Gegenständen getroffen zu werden und verwenden Sie passende Töpfe;
- Sollte die Glaskeramik beschädigt sein, stellen Sie die Benutzung sofort ein und trennen Sie die Stromversorgung;
- Bitte achten Sie bei der Reinigung des Kaminofens auf Wasserdichtigkeit (kann nicht mit Strahlwasser gereinigt werden);
- Dieser Induktionsherd kann nicht zum Kochen von Haferbrei oder Sojamilch verwendet werden, da es sonst leicht zu Trockenverbrennungen und Gefahren kommen kann;
- Das in diesem Herd verwendete konkave Kochgeschirr ist mit dem Hersteller abgestimmt. Wenn der Benutzer es ersetzen muss, wählen Sie bitte die gleiche Größe und das gleiche Material (Eisen) wie der Hersteller oder wenden Sie sich zum Kauf an den Hersteller. Andernfalls entspricht die Feuerkraft möglicherweise nicht den Anforderungen und kann sogar das Glas zerbrechen und Gefahren verursachen. Flache Tischtöpfe sollten aus Eisentöpfen mit einem Bodendurchmesser von mehr als 26 cm bestehen. Töpfe mit einem Durchmesser von weniger als 33 cm sollten ein Gesamtgewicht von 10 kg nicht überschreiten. Töpfe mit einem Durchmesser von mehr als 33 cm sollten ein Gesamtgewicht von 20 kg nicht überschreiten, um Schäden zu vermeiden. Glas ist gefährlich.
- Metallgegenstände wie Küchenutensilien, Messer und Gabeln sind während der Benutzung des Kochers nicht erlaubt
- Stellen Sie es in den Kochbereich auf das Kochfeld, sonst wird es in der Nähe des Woks (innerhalb des Magnetfelds) automatisch heiß und stellt eine Gefahr dar;
- Stellen Sie keine Aluminiumfolie oder Plastikbehälter auf eine heiße Oberfläche und stapeln Sie keine Gegenstände auf der Oberfläche des Ofens;
- Wenn der Bediener während des Betriebs Schmuck aus Metall (Eisen) (Ringe, Armbänder, Uhren usw.) an den Händen trägt, kann sich der Schmuck automatisch aufheizen, wenn sich seine Hände in der Nähe des Woks befinden (innerhalb des Magnetfelds). Stoppen Sie zu diesem Zeitpunkt sofort den Betrieb und entfernen Sie das Zubehör.
- Benutzer mit Herzschrittmachern sollten den Hersteller konsultieren, bevor sie den Kocher in Betrieb nehmen;
- Wenn der Ofen ausfällt, darf er nur durch vom Hersteller geschultes oder empfohlenes Personal repariert werden.

## Fehlerbehebung

<b>Fehlercode</b>	<b>Ausfallphänomen</b>	<b>Methode des Ausschlusses</b>
"E01" blinkt	Unterbrechung des IGBT-Sensors	1.Prüfen Sie, ob der IGBT-Sensor offen ist 2.Prüfen Sie, ob der IGBT-Anschluss locker ist
"E02" blinkt	Kurzschluss des IGBT-Sensors	1.Prüfen Sie, ob der IGBT-Sensor offen ist 2.Prüfen Sie, ob der IGBT-Anschluss locker ist
"E03" blinkt	Unterbrechung des Drahtspulensensors	1.Prüfen Sie, ob der IGBT-Sensor beschädigt ist 2.Prüfen Sie, ob das Sensorkabel abgeklemmt ist und ob ein schlechter Kontakt besteht.
"E04" blinkt	Die Drahtrollentemperatur ist hoch oder der Drahtrollensensor hat einen Kurzschluss	1.Prüfen Sie, ob der Sensor beschädigt ist 2.Prüfen Sie, ob das Sensorkabel abgezogen ist 3.Prüfen Sie, ob die Sensorschnittstelle locker ist 4.Prüfen Sie, ob sich der Lüfter der Spulenscheibe dreht oder die Geschwindigkeit oder die Geschwindigkeit zu langsam ist 5.Prüfen Sie, ob die Lufteinlass- oder -auslassöffnung blockiert ist.
"E05" blinkt	Unterbrechung des Ofensensors	1.Prüfen Sie, ob das Sensorkabel abgezogen ist und ob ein schlechter Kontakt besteht
"E06" blinkt	Unterbrechung des Ofensensors	1. Prüfen Sie, ob der Sensor beschädigt ist 2.Überprüfen Sie, ob die Sensorleitung kurzgeschlossen ist
"E07" blinkt	Netzspannung ist zu niedrig	1.Überprüfen Sie bei 220-V-Modellen, ob die Netzspannung unter 150 V liegt, und bei 380-V-Modellen, ob die Netzspannung unter 350 V liegt 2.Prüfen Sie, ob der Kerntransformator beschädigt ist
"E08" blinkt	Netzspannung ist zu hoch	1.Überprüfen Sie bei den 220-V-Modellen, ob die Netzspannung höher als 260 V ist, und bei 380 V, ob die Netzspannung höher als 450 V ist
"F" blinkt	IGBT-Temperatur ist zu hoch	1.Prüfen Sie, ob sich der Bewegungslüfter dreht oder die Geschwindigkeit zu langsam ist 2.Prüfen Sie, ob die Lufteinlass- oder -auslassöffnung blockiert ist
"E00" blinkt	Kein Topf oder ungeeigneter Topf	1.Prüfen Sie, ob die Drahtrolle und der Drahtrollenanschluss lose sind 2.Prüfen Sie, ob der Topf stark verformt ist 3.Prüfen Sie, ob das verwendete Topfmaterial geeignet ist, ob der Topfboden stark verformt ist und ob der Topf in der richtigen Position steht.

## Informationen zur Kompatibilität

Dieses Gerät wurde gemäß den folgenden Richtlinien und Normen entwickelt und hergestellt.



Kennzeichnungsrichtlinie 93/68/CEE

TS EN 60335-1:2012/AC

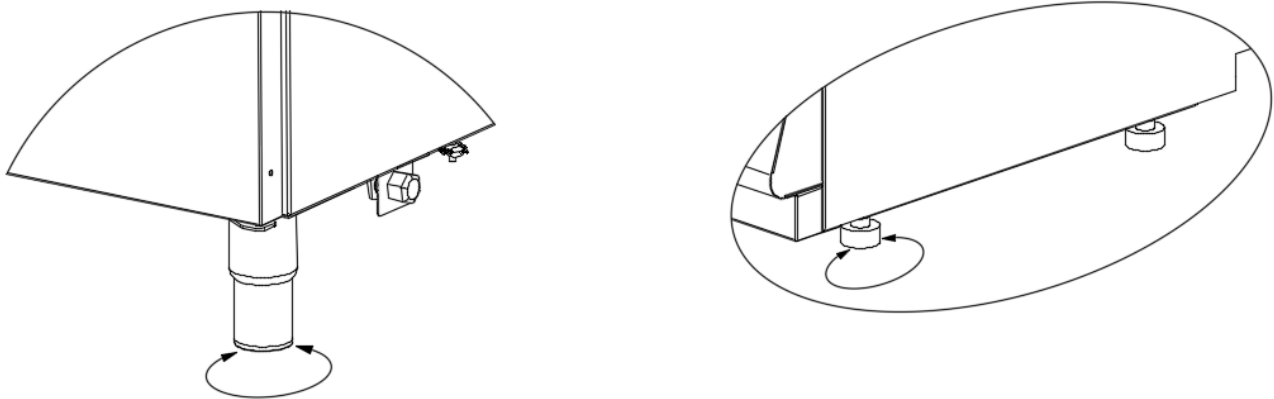
TS EN 60335-2:37

Bezogen auf CE-Richtlinie(n):

2014/35/EU (Niederspannung)

- Haftungsbeschränkung: Alle technischen Informationen, Bedienungsanleitungen sowie Informationen über den Betrieb und Wartung in diesem Handbuch enthalten die neuesten Informationen zu Ihrem Gerät. Der Hersteller übernimmt keine Verantwortung für Schäden oder Verletzungen, die durch die Nichtbeachtung der Anweisungen in diesem Handbuch, die bestimmungsgemäße Verwendung des Geräts, nicht autorisierte Reparaturen oder Änderungen oder die Verwendung von nicht vom Hersteller genehmigten Ersatzteilen verursacht wurden.

## E. ABBILDUNG



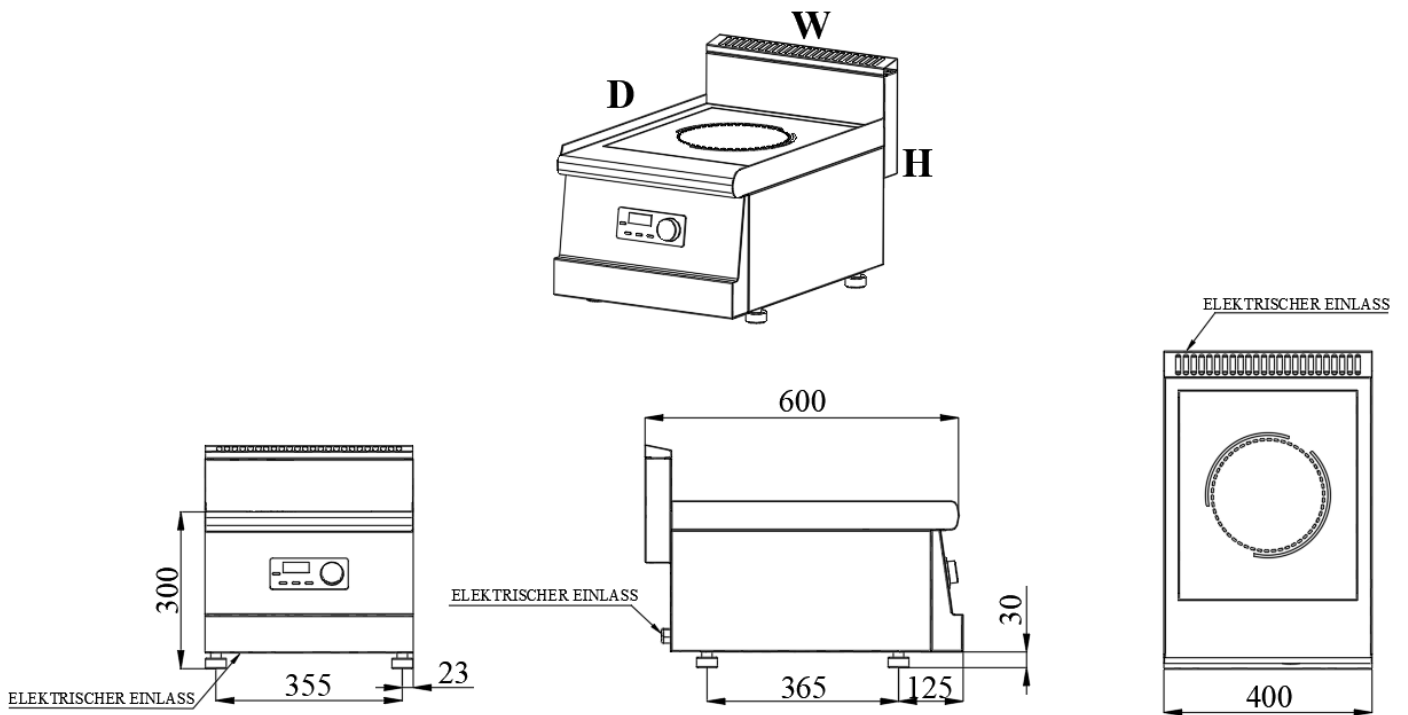
**Abbildung A**

## F. PRODUKTZEICHNUNGEN

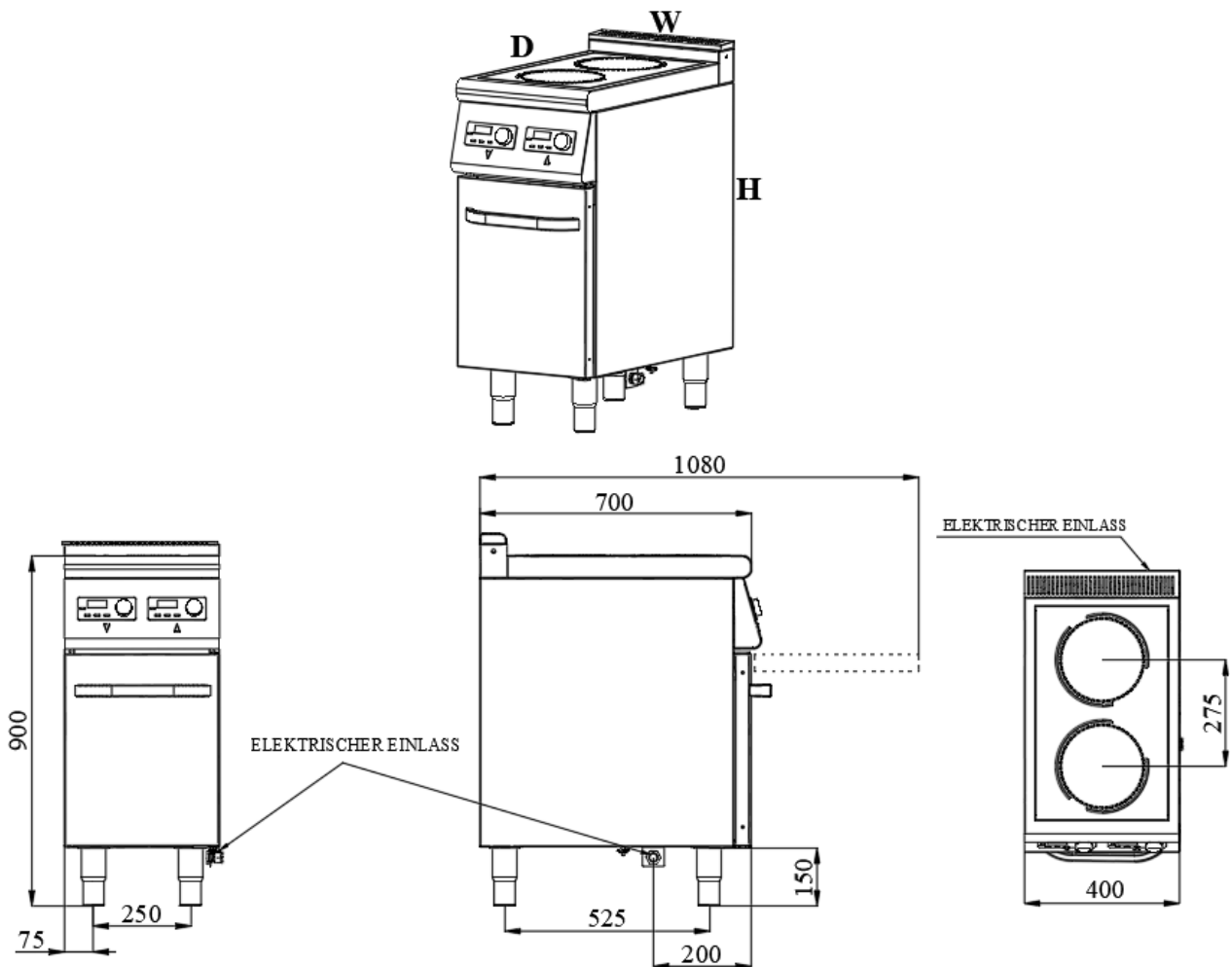
<b>Produkt</b>	<b>Breite (W)</b>	<b>Tiefe (D)</b>	<b>Höhe (H)</b>	<b>Stromzufuhr</b>	<b>Leistung</b>	<b>Verkabelung</b>	<b>Gewicht</b>	<b>Volumen</b>
<b>7178.0130</b>	400 mm	600 mm	300 mm	230V AC 1N PE	3,5 kW	3x1.5 H05RNF	30 kg	0.18 m <sup>3</sup>
<b>7178.0570</b>	400 mm	700 mm	900 mm	230V AC 1N PE	7 kW	3x2.5 H05RNF	36 kg	0.44 m <sup>3</sup>
<b>7178.0575</b>	800 mm	700 mm	900 mm	400V AC 3N PE	14 kW	5x4 H05RNF	57 kg	0.84 m <sup>3</sup>
<b>7178.0580</b>	400 mm	700 mm	900 mm	230V AC 1N PE	5 kW	3x2.5 H05RNF	45 kg	0.44 m <sup>3</sup>
<b>7178.0330</b>	400 mm	700 mm	300 mm	230V AC 1N PE	7 kW	3x2.5 H05RNF	34 kg	0.21 m <sup>3</sup>
<b>7178.0335</b>	800 mm	700 mm	300 mm	400V AC 3N PE	14 kW	5x4 H05RNF	52 kg	0.36 m <sup>3</sup>
<b>7178.0340</b>	400 mm	700 mm	300 mm	230V AC 1N PE	5 kW	3x2.5 H05RNF	29 kg	0.21 m <sup>3</sup>
<b>7178.3140</b>	400 mm	900 mm	900 mm	400V AC 3N PE	10 kW	5x4 H05RNF	90 kg	0.55 m <sup>3</sup>
<b>7178.3145</b>	800 mm	900 mm	900 mm	400V AC 3N PE	20 kW	5x4 H05RNF	185 kg	1.05 m <sup>3</sup>



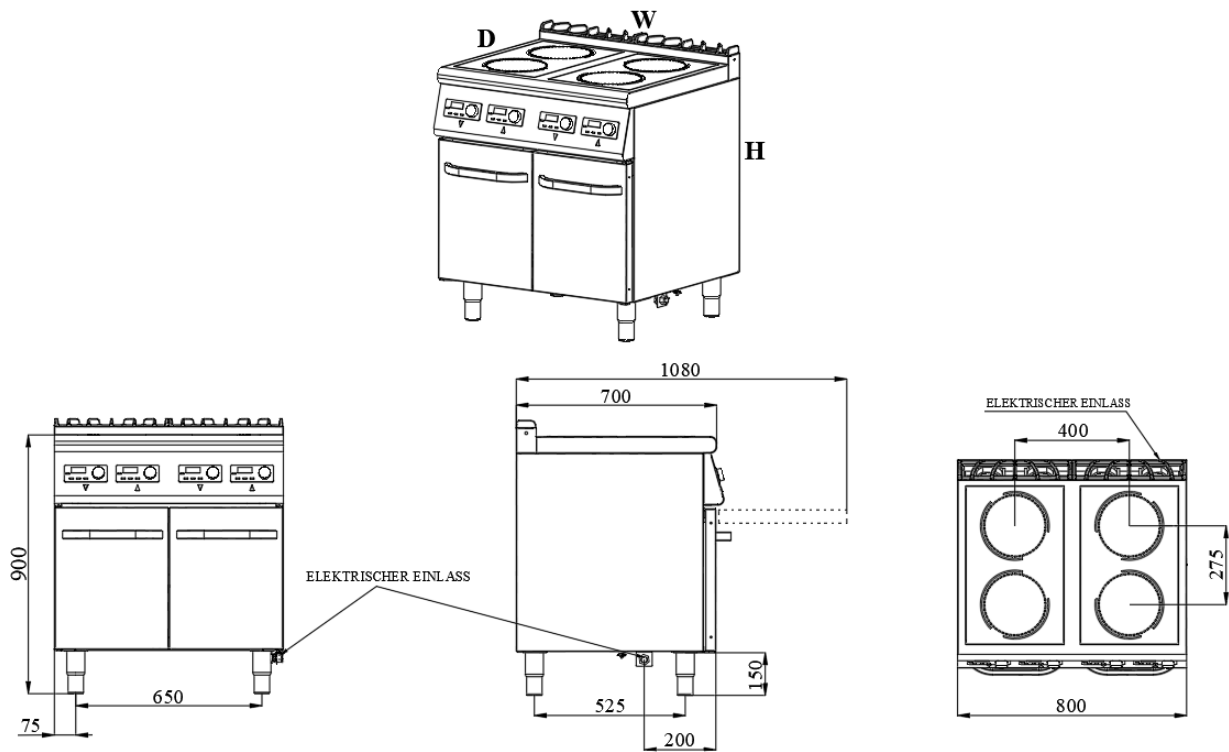
7178.0130



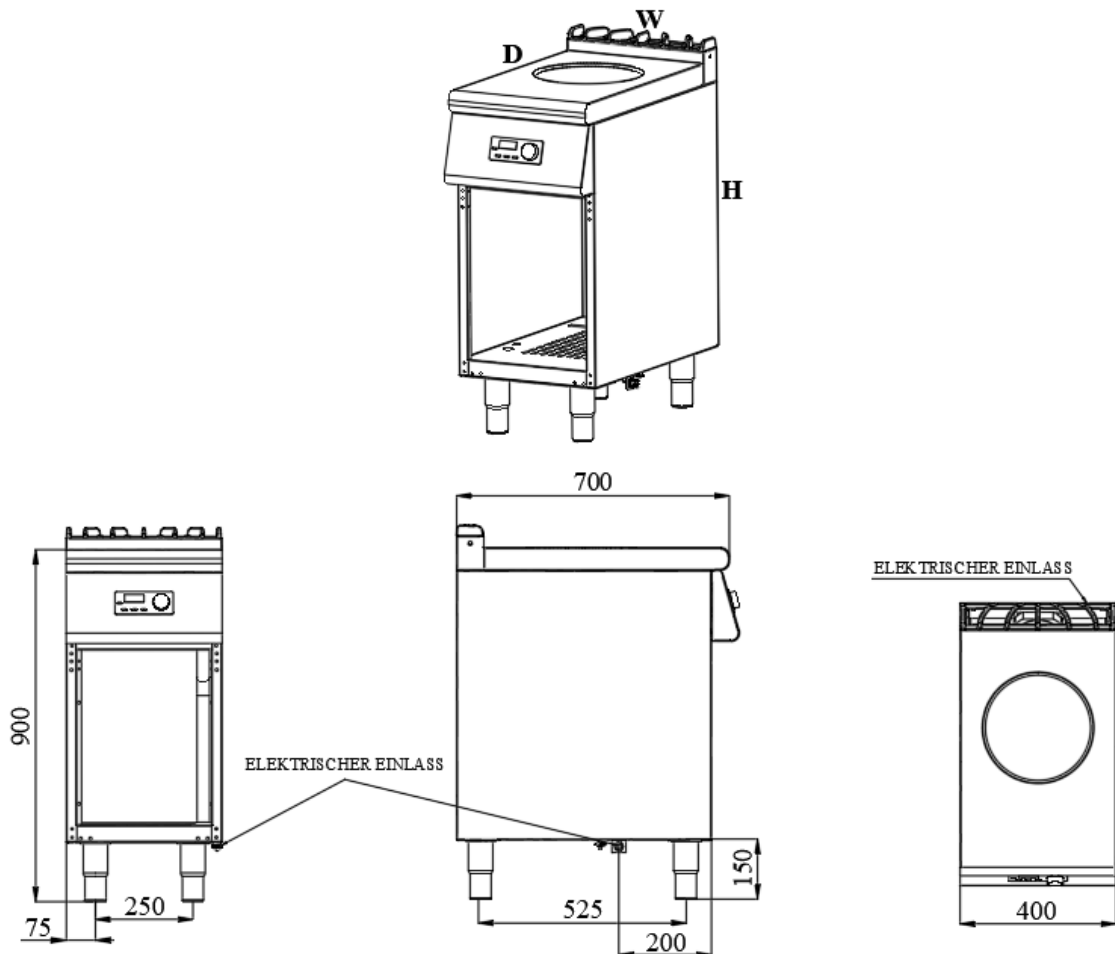
7178.0570



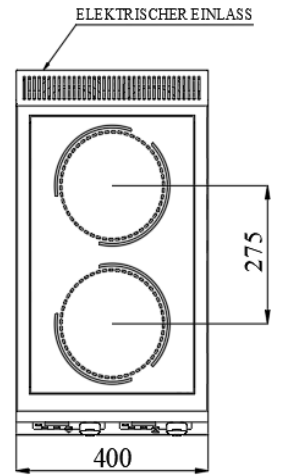
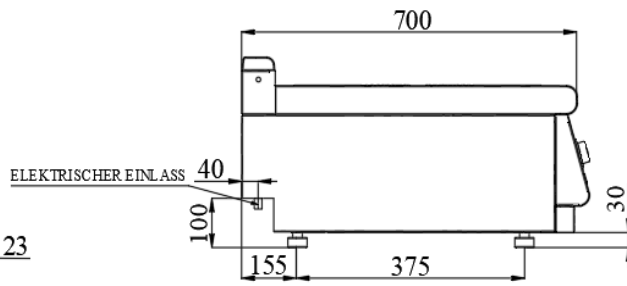
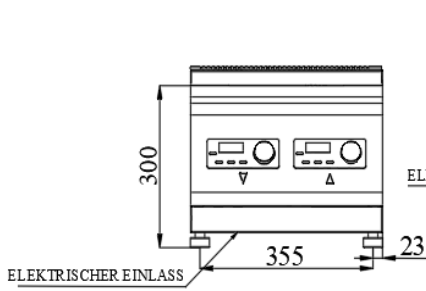
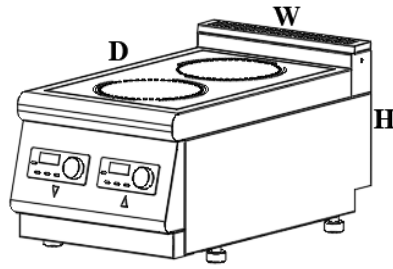
7178.0575



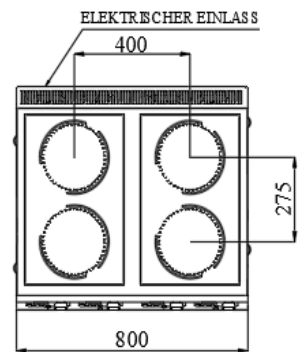
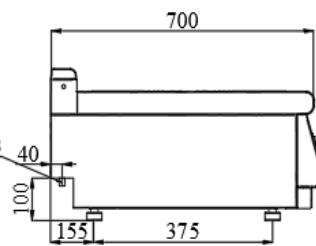
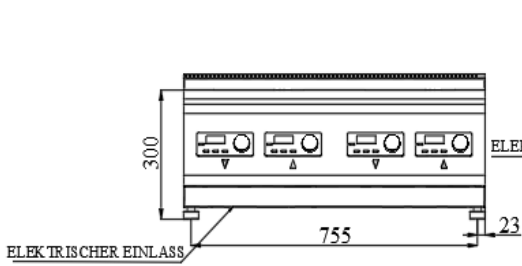
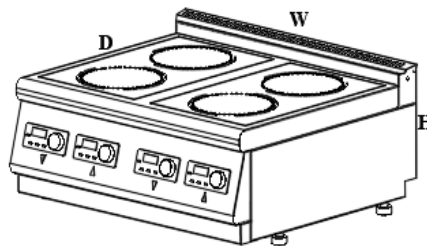
7178.0580



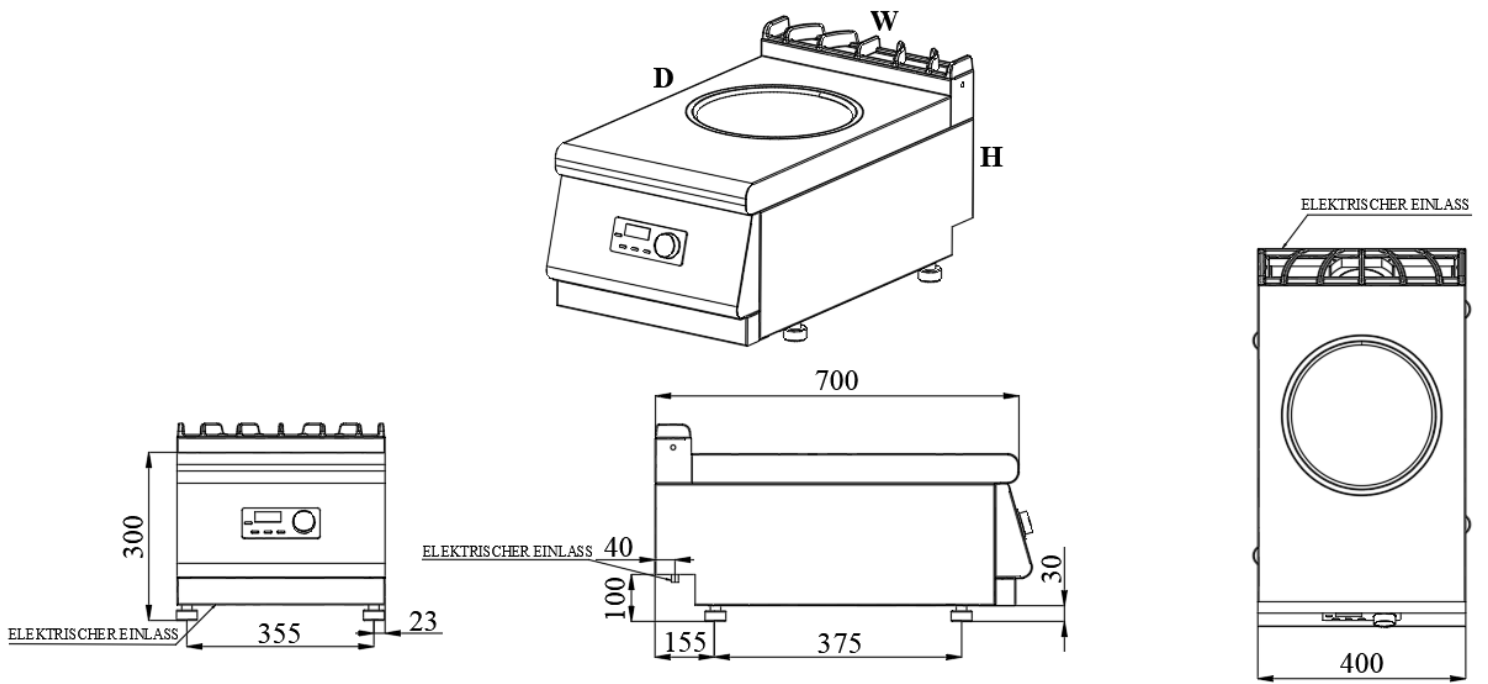
# 7178.0330



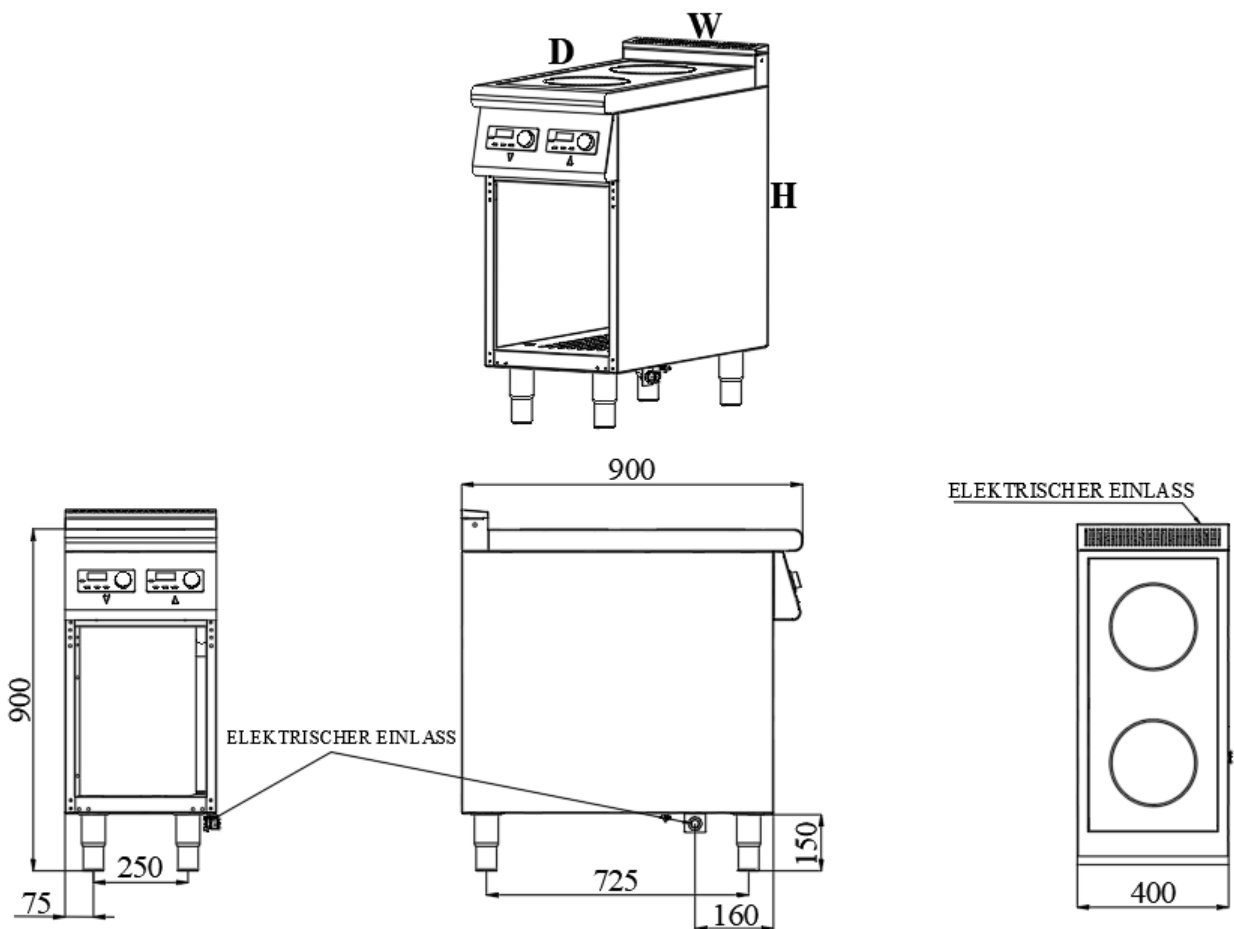
# 7178.0335



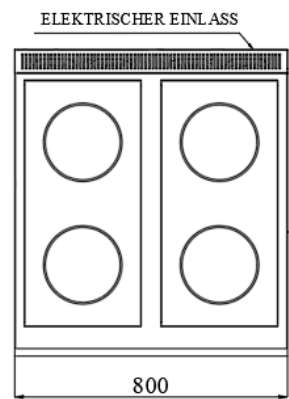
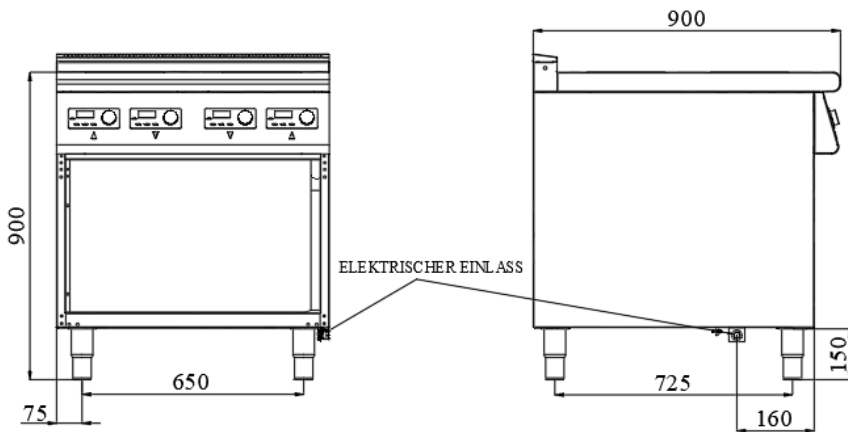
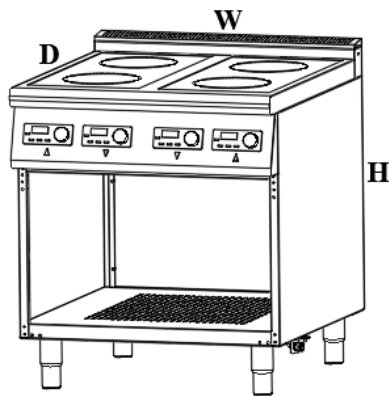
# 7178.0340



# 7178.3140

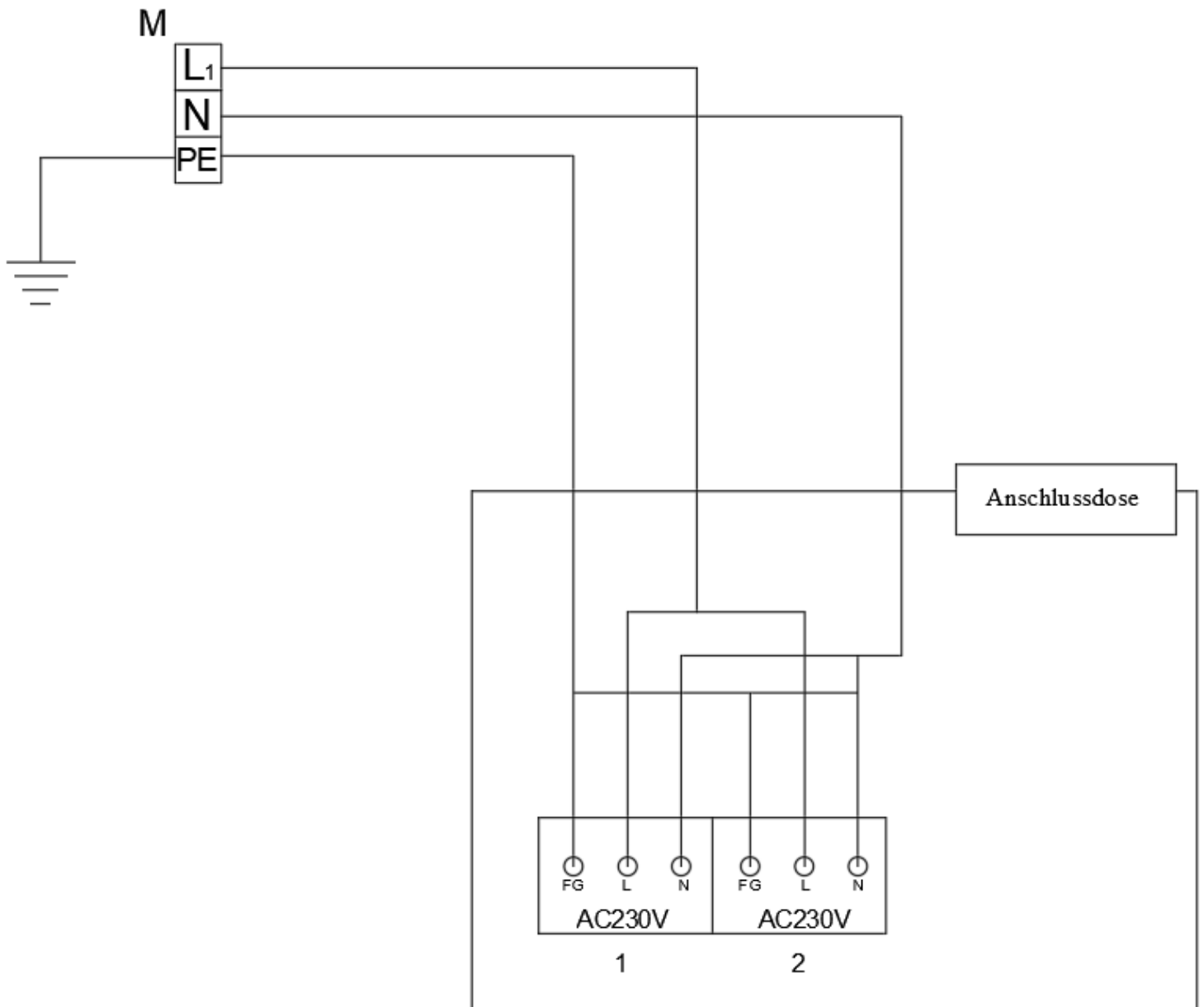


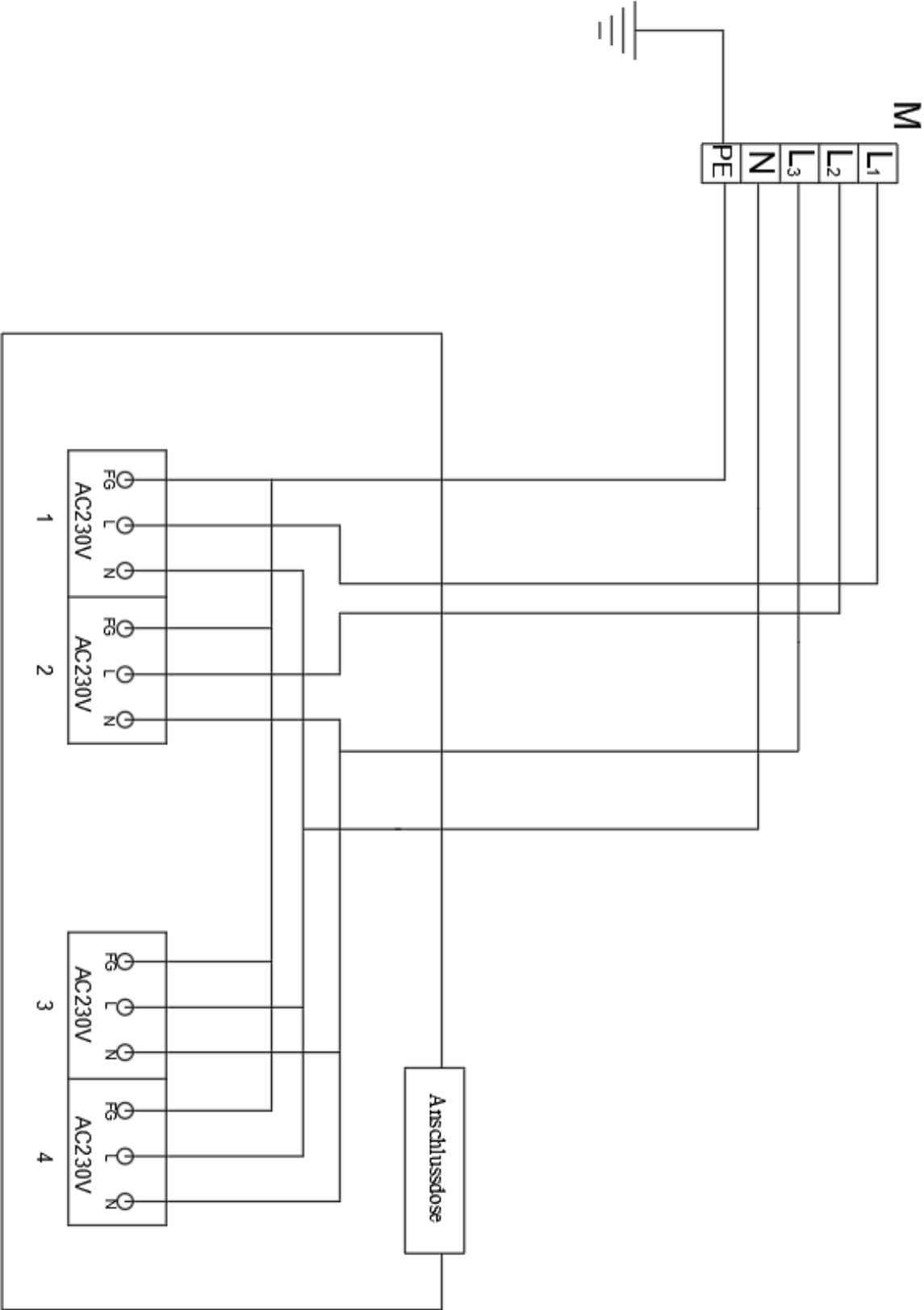
7178.3145

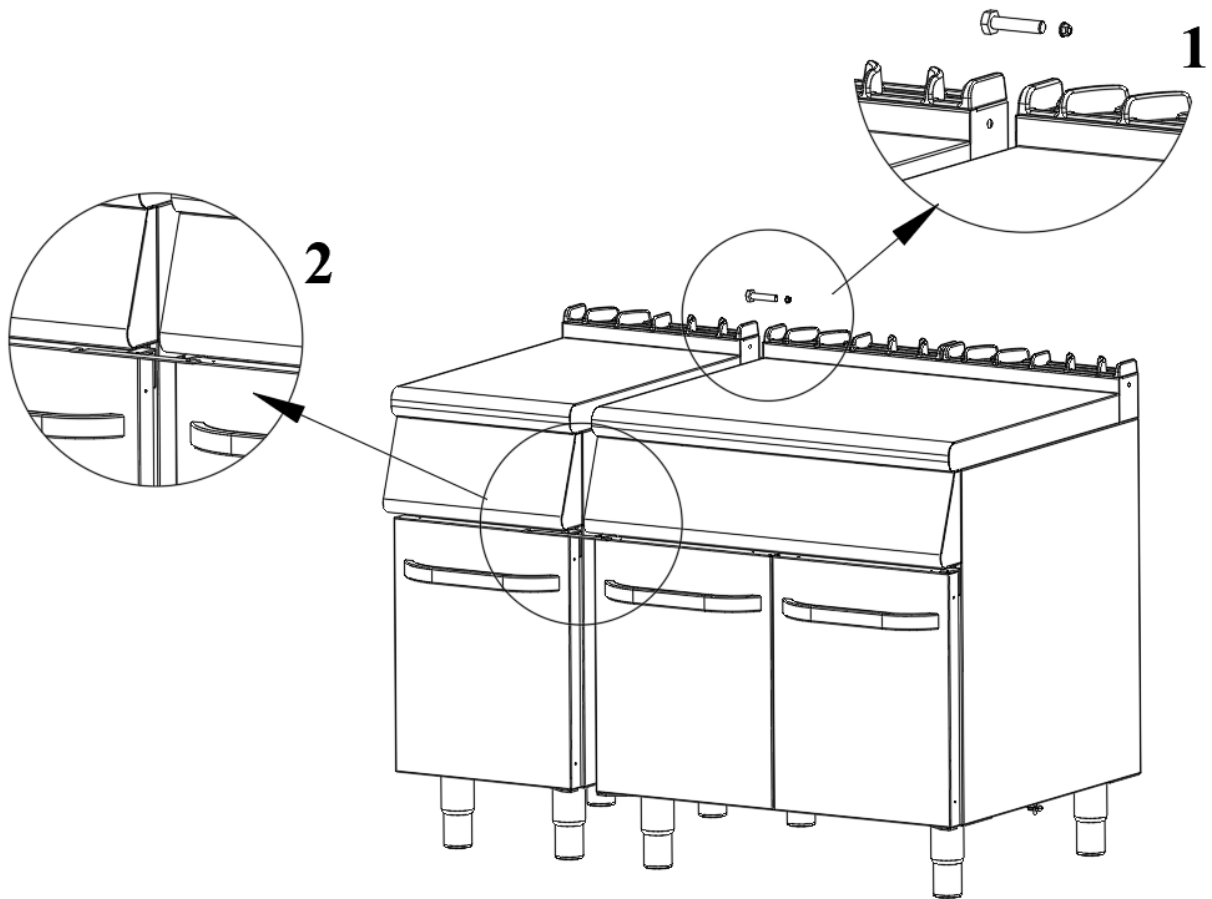


## G. ELEKTRISCHE ANSCHLUSSZEICHNUNG

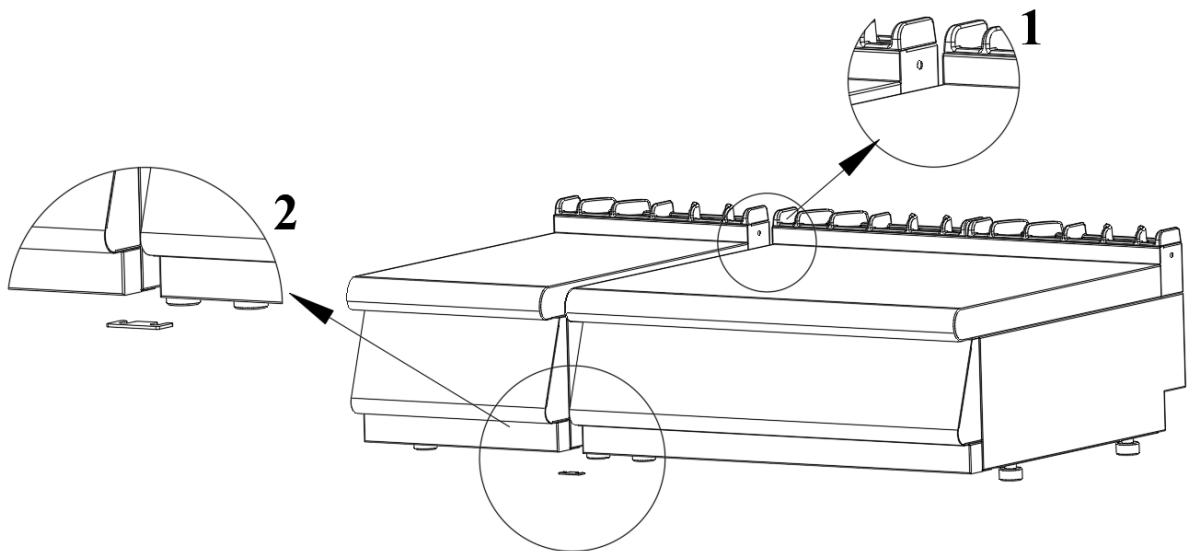
7178.0130 / 7178.0570 / 7178.0580 / 7178.0330 / 7178.0340 /  
7178.3140





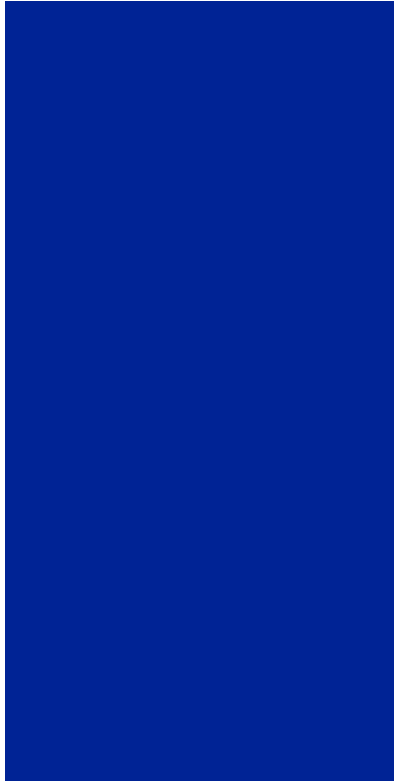


**SERIE 700 / 900 Fixierung**



**Gerätefixierungsschema der Serie 600 / 700-S**





# **Manuel d'Utilisation et de Maintenance**

---

## **Plaque À Induction (Électrique)**

## A.EXPLICATIONS

Chère, cher client,

Votre produit COMBISTEEL préféré est respectueux de l'environnement et technologique. Nous vous remercions pour votre choix.

COMBISEEL est fabriqué conformément d'une compréhension de la "Pleine Qualité" dans les installations de fabrication modernes.

### **Informations importantes sur la sécurité**

**Lisez attentivement ce manuel et conservez-le pour se référer ultérieurement .**

**AVERTISSEMENT :** L'installation des appareils doit être effectuée par un personnel de service agréé.

**AVERTISSEMENT :** L'équipement doit être mis à la terre.

**AVERTISSEMENT :** Si la surface est fissurée, débranchez immédiatement l'appareil ou la partie appropriée de l'appareil de l'alimentation.



Cela signifie qu'il existe un risque de blessure ou de dommage matériel.



Risque d'explosion et d'incendie.



Haute tension, soyez prudent lors de la réparation des opérations, les non-professionnels ne démontent pas



La cuisinière à induction génère un champ magnétique lorsqu'elle fonctionne, faites attention lors de son fonctionnement.

- Les instructions de ce manuel contiennent des informations importantes sur le montage, l'utilisation, le nettoyage et l'entretien de l'appareil en toute sécurité. Ainsi, conservez le manuel dans un endroit facilement accessible par la personne qui utilisera la machine et le technicien.
- Les travaux de montage, de raccordement électrique et d'entretien de l'appareil doivent être effectués par un spécialiste agréé en la matière et conformément aux instructions de l'entreprise du fabricant.
- Le raccordement électrique de l'appareil doit être organisé conformément aux tableaux et au schéma électrique fournis dans ce manuel.
- La société du fabricant décline toute responsabilité pour les dommages finaux causés aux personnes ou aux biens causés par toute procédure non conforme au manuel d'instructions, ou par des interventions de maintenance ou techniques non effectuées par des personnes autorisées.

- Les instructions pour les appareils avec des surfaces de cuisson en vitrocéramique ou matériau similaire doivent indiquer que le papier d'aluminium et les récipients en plastique ne doivent pas être placés sur les surfaces chaudes.
- Ils doivent également indiquer que ces surfaces ne doivent pas être utilisées pour le stockage
- Les objets métalliques tels que les ustensiles de cuisine, les couverts, etc. ne doivent pas être placés sur la surface de la table de cuisson à l'intérieur des zones de cuisson car ils pourraient devenir chauds ;
- Faites attention lors de l'utilisation de l'appareil, car les bagues, montres et objets similaires portés par l'utilisateur peuvent devenir chauds à proximité de la surface de la table de cuisson.
- Utilisez uniquement des récipients du type et de la taille recommandés.

## **B. DES PRODUITS**

CODE	LA DESCRIPTION	SÉRIÉ
7178.0130	Cuisinière à induction électrique, modèle de table, 1 plaque ronde	600
7178.0570	Cuisinière à induction électrique, 2 plaques rondes	700
7178.0575	Cuisinière à induction électrique, 4 plaques rondes	700
7178.0580	Cuisinière wok électrique, 1 plaque ronde	700
7178.0330	Cuisinière à induction électrique, modèle de table, 2 plaque rondes	700S
7178.0335	Cuisinière à induction électrique, modèle de table, 4 plaque rondes	700S
7178.0340	Cuisinière wok électrique, modèle de table, 1 plaque ronde	700S
7178.140	Cuisinière à induction électrique, 2 plaques rondes	900
7178.3145	Cuisinière à induction électrique, 4 plaques rondes	900

## **C. INSTRUCTIONS DE MONTAGE**

### **Installation**

- L'installation et le réglage de l'appareil doivent être effectués par le personnel technique du Service Agréé.
- Placez l'appareil sous une hotte aspirante filtrée afin d'éliminer les odeurs et les fumées pouvant être émises pendant la cuisson.
- L'appareil doit être placé sur une surface plane en s'équilibrant convenablement sur les quatre pieds réglables. (Figure A)

- Retirez le nylon protecteur de l'appareil. Nettoyez les particules de colle restées sur l'appareil avec un nettoyant adapté.
- Laissez un espace d'environ 20 cm derrière le poêle pour permettre au ventilateur de dissiper la chaleur.

### **Raccordement Électrique**

- Raccordez l'appareil à l'installation électrique conformément aux normes électriques du pays concerné.
- Alimentez l'appareil avec une tension de réseau appropriée indiquée sur la plaque signalétique.
- Connecter à l'installation électrique via un fusible automatique approprié. Fixez ledit fusible à un endroit facilement accessible en cas de danger.
- Le câble reliant l'appareil à l'installation électrique doit être au minimum de type H07 RNF.
- Avant de connecter le câble d'arrivée électrique à la pince d'arrivée sur l'appareil, connectez le câble en le faisant passer à travers le raccord d'arrivée. Et serrez ensuite le couvercle d'accouplement d'une manière qui ne permet pas le retour du câble.
- L'entrée électrique est indiquée par une étiquette sur l'appareil.
- Si l'appareil est utilisé dans une cuisine commerciale, appliquez un système de mise à la terre correct. Tenez compte de l'article 540 de la norme DIN VDE D100.
- La vis de mise à la terre "⚡" est indiquée par une étiquette derrière l'appareil.

## **D. INSTRUCTIONS A L'UTILISATEUR ET POINTS A CONSIDÉRER**

- La cuisinière à induction est un nouveau type de cuisinière sur le marché des ustensiles de cuisine. Il rompt avec la méthode de cuisson traditionnelle à flamme nue. Le principe de fonctionnement du chauffage électromagnétique consiste à faire passer un courant haute fréquence à travers le disque de la bobine pour générer un champ magnétique des deux côtés du disque de la bobine. Lorsque le pot en fer se trouve dans le champ magnétique, le pot coupe les lignes de champ magnétique alternatif qui produisent des courants alternatifs dans le pot (c'est-à-dire des courants de Foucault). Le courant de Foucault fait que les molécules de fer du pot se déplacent de manière aléatoire à grande vitesse. Les molécules entrent en collision les unes avec les autres et se frottent les unes contre les autres pour générer de l'énergie thermique afin de faire chauffer l'appareil lui-même à grande vitesse pour chauffer et cuire les aliments. Afin d'atteindre l'objectif de

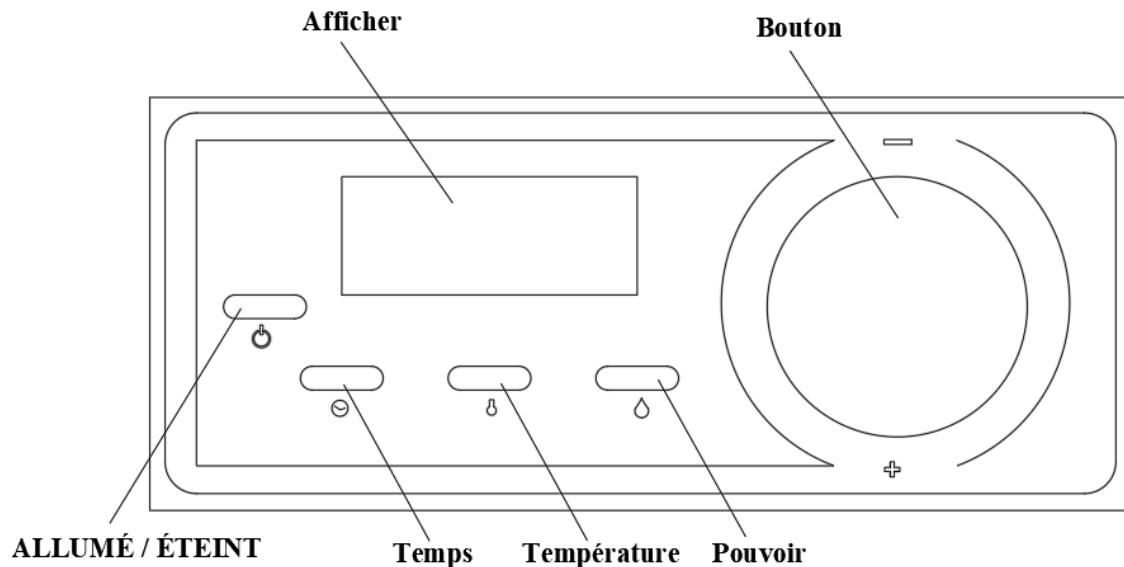
### **AVANT UTILISATION**

#### **Vérification du système électrique**

- Après le montage, vérifiez les organes de commande et les résistances chauffantes en opérant à différentes températures.
- Après l'installation et l'entretien, vérifiez la puissance de chauffage de l'appareil.
- Lors de la première utilisation, l'appareil émettra de la fumée et des odeurs pendant une courte période. Ces fumées et odeurs sont le résultat du matériau isolant et des substances telles que l'huile, etc. sur les surfaces des tôles. Ce n'est pas dangereux et disparaîtra tout seul.

## CUISEURS DE DÉMARRAGE

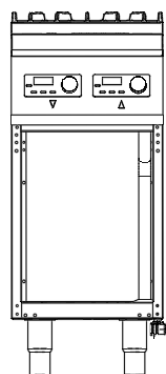
- Mise sous tension : allumez l'alimentation, les voyants sont tous allumés et le tube numérique affiche le modèle correspondant, tel que "P350" pour la série de fours à foyer plat 3 500 W, "A350" pour la série de fours concaves 3 500 W, "P250" pour la série de fours à tête plate de 2500 W, "A250" signifie une série de fours concaves de 2500 W, "P500" signifie une série de fours à dessus plat de 5000 W et "A500" signifie une série de fours concaves de 5000 W. "P-15" signifie un poêle à dessus plat de 15KW série, "A-20" signifie série de poêles à frire de type concave 20KW. Après environ 2S, le voyant est éteint, le voyant d'alimentation clignote et l'affichage numérique "----" indique l'état de veille.



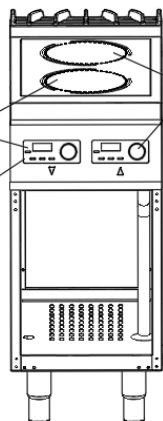
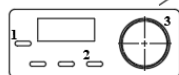
## ALLUMER

- Après environ 2S, le voyant s'éteint, le voyant d'alimentation clignote et l'affichage numérique "----" indique l'état de veille.
- **Mise sous tension** : appuyez une fois sur le bouton d'alimentation "interrupteur" (1) (Remarque : lorsque tous les boutons tactiles sont actionnés, appuyez sur le doigt au centre du motif de bouton correspondant. Chaque fois que vous appuyez dessus, vous devez rester pendant un certain temps, puis relâchez. Parce que le bouton a pour fonction d'empêcher les erreurs de fonctionnement, le bouton. L'action ne doit pas être trop rapide, sinon la clé sera invalide, l'affichage numérique "on", appuyez à nouveau sur la touche "firepower" (2) , la puissance correspondante sera affichée, la vitesse maximale par défaut ; ou appuyez une fois sur la touche "température fixe" pour afficher la température de consigne correspondante, la valeur par défaut est de 200 ° C. Tous les voyants sont allumés et il peut être chauffé après avoir mis Si vous appuyez sur la touche "Firepower" pendant le processus de température constante, il peut également être réglé sur la fonction de chauffage.
- **Réglage de la puissance de feu/température** : réglez la puissance (puissance de feu) et la température appropriées à l'aide du bouton (3). Tournez dans le sens horaire pour augmenter la puissance de feu (température) et tournez dans le sens antihoraire pour diminuer la puissance de feu (température). Les engrenages sont divisés en 9 niveaux (3).

Cuisinière à induction Marche-Arrêt

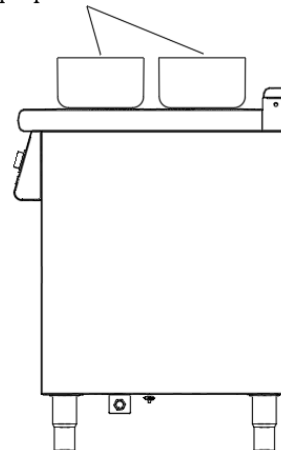


Contrôleur de table de cuisson avant



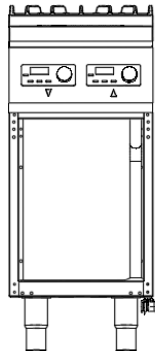
Contrôleur de table de cuisson arrière

Placez une casserole pratique sur la plaque de cuisson

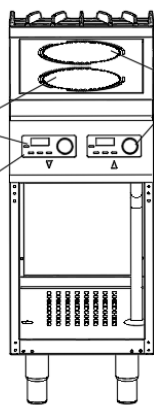
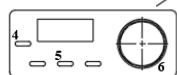


- **Fonction de température constante :** allumez, appuyez sur le bouton "température fixe" ou appuyez une fois sur le bouton "température fixe" (5) lorsque la cuisinière à induction fonctionne dans la fonction de chauffage, l'écran affichera la position de l'engrenage, comme le numérique l'affichage "200 C" signifie 200 °C, entrez dans la fonction de température, la température appropriée peut être réglée à l'aide du bouton (6). La température de rotation dans le sens des aiguilles d'une montre augmente, la température de rotation dans le sens inverse des aiguilles d'une montre diminue et les engrenages sont divisés en 9 engrenages.

Cuisinière à induction On-Off °C Réglage

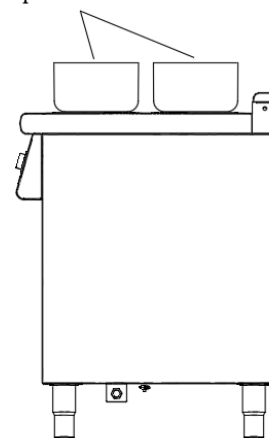


Contrôleur de table de cuisson avant



Contrôleur de table de cuisson arrière

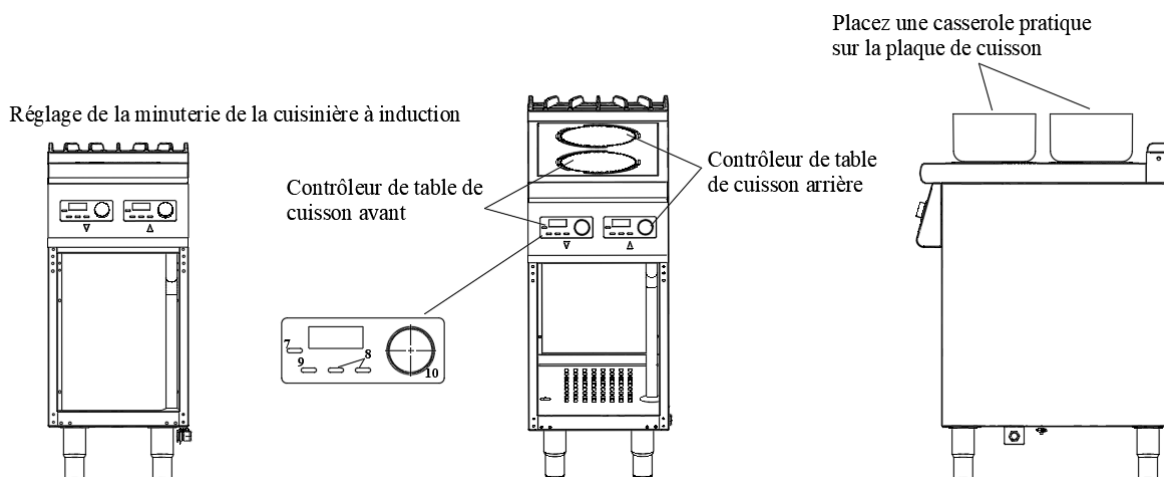
Placez une casserole pratique sur la plaque de cuisson



## RÉGLAGE DE L'HEURE

- La fonction de minuterie peut être réglée pour le mode de chauffage ou le mode de température constante de la cuisinière à induction. Appuyez d'abord une fois sur le bouton de mode d'alimentation ou de mode de température (8), après avoir appuyé sur le bouton de temps (9), puis le numéro clignote, entrez le réglage d'arrêt de la minuterie. Lorsque la touche de temps est enfoncée pour la première fois
- Le tube nixie affiche "00:00" clignotant, indiquant que le temps de chronométrage est de 0 minutes (c'est-à-dire qu'il n'y a pas de chronométrage).

- Le temps de minutage requis peut être réglé à l'aide du bouton (10). Le temps de rotation dans le sens des aiguilles d'une montre ajoute 10 minutes et le temps de rotation dans le sens inverse des aiguilles d'une montre soustrait 1 minute. La durée maximale de synchronisation peut être réglée sur 23:59. Si vous ne réglez pas le bouton, il confirmera automatiquement après environ 5 secondes et entrera dans le compte à rebours. Si vous appuyez à nouveau sur la touche "timing" dans les 5 secondes, le réglage de la synchronisation sera annulé ; de plus, le chronométrage ne fonctionnera pas lorsqu'il affichera 00:00.
- Une fois le réglage de l'heure terminé, le chronométrage démarre. Après le démarrage de la minuterie, l'affichage alternera entre le temps et la puissance de feu (température).



## FERMER

- Pendant le fonctionnement de la cuisinière à induction, appuyez une fois sur le bouton de l'interrupteur d'alimentation (7), le voyant d'alimentation clignote, le tube numérique affiche " --- " et les autres voyants sont éteints, indiquant qu'il entre en état de veille.

## ENTRETIEN

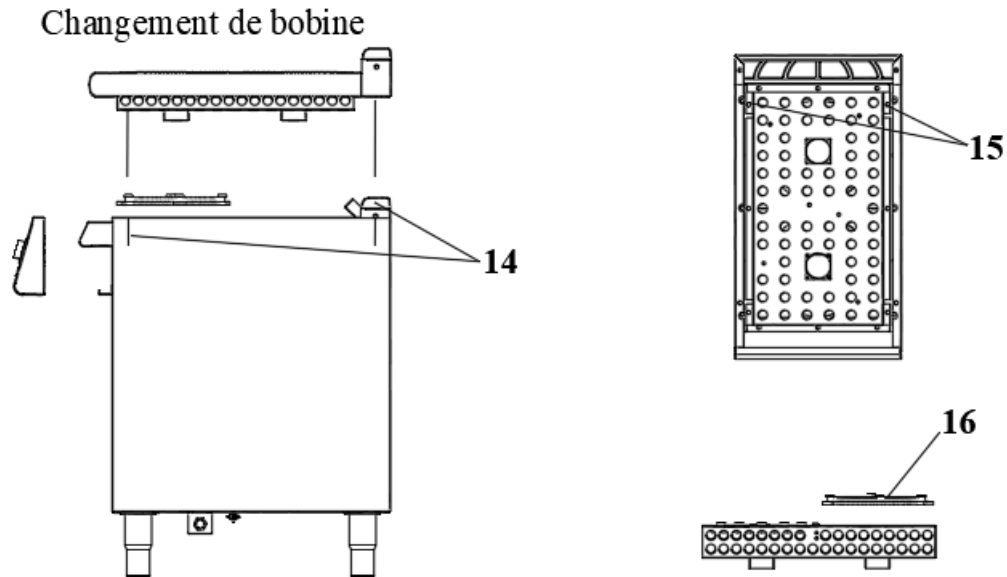
- N'effectuez pas d'entretien lorsque l'appareil est sous tension électrique.
- Avant qu'il ne refroidisse complètement, essuyez l'appareil avec un chiffon imbibé d'eau tiède savonneuse.
- N'utilisez pas de substances et d'outils de nettoyage susceptibles de rayer la surface de l'appareil.
- Ne nettoyez pas l'appareil avec de l'eau ou de la vapeur sous pression. Sinon, vous risquez de provoquer une défaillance de la plaque électrique.
- Si l'appareil n'est pas utilisé pendant une longue période, enduisez les surfaces d'une fine couche de vaseline. En cas de condition dangereuse avec l'appareil, informez-en le service autorisé. Ne laissez jamais des personnes non autorisées intervenir dans l'appareil.
- N'effectuez pas d'entretien lorsque l'appareil est sous tension électrique.

## CHANGEMENT DE TABLEAU DE COMMANDE

- Retirez le panneau avant avec un tournevis approprié du bas du panneau. (11)
- Tournez le panneau vers l'arrière pour un retrait facile et retirez ensuite les vis du panneau à l'arrière avec un tournevis. (12)
- Retirez la prise de connexion du câble du panneau de commande avec la main du PCB. (13)

## CHANGEMENT DE BOBINE

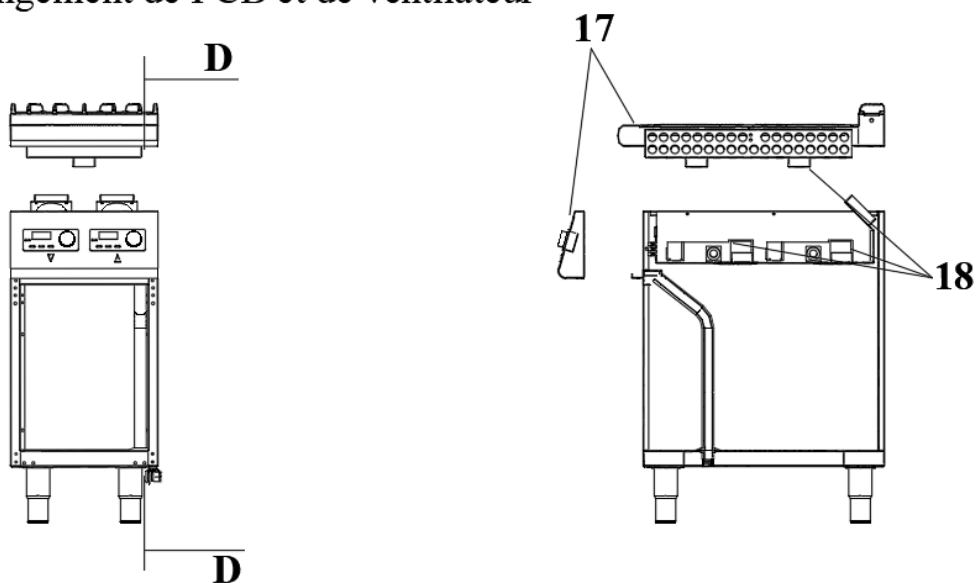
- Dévissez la plaque supérieure avec la clé appropriée de l'intérieur et tournez la plaque supérieure latéralement (14)
- Retirer la vis de la pièce de fixation de la bobine à l'aide d'une clé appropriée (15)
- Dévisser la vis de connexion de la bobine avec une clé appropriée (16)



## CHANGEMENT DE PCB ET DE VENTILATEUR

- Retirez le panneau avant et la table supérieure du bas avec une clé appropriée (17)
- Après avoir retiré le panneau avant et la table supérieure, retirez les douilles du ventilateur à la main et les câbles de la bobine des vis. (18)

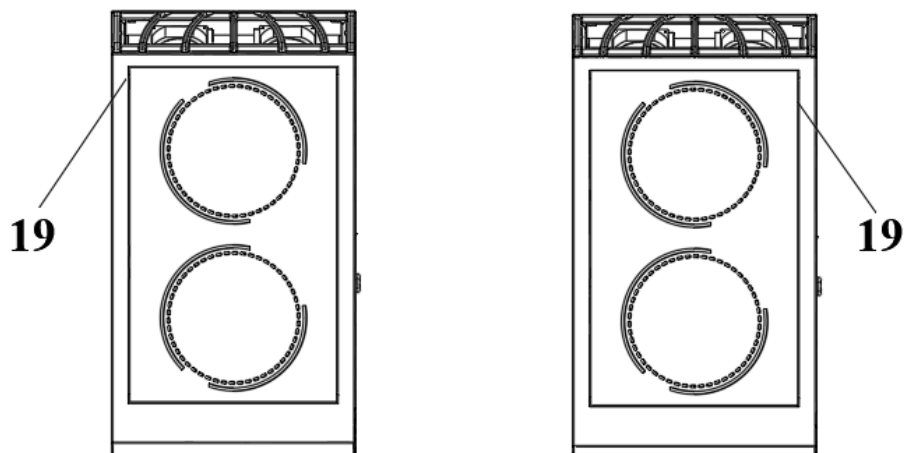
### Changement de PCB et de ventilateur





## CHANGEMENT DE VITRE CÉRAMIQUE

- Retirez la vitre en nettoyant le silicone autour de la vitrocéramique.
- Nettoyez la surface sur laquelle le verre sera fixé avec un spray nettoyant pour silicone, pressez le silicone approprié et placez le verre au milieu.
- Après y avoir placé un poids adapté, lissez les silicones qui débordent avec l'appareil en plastique et attendez qu'il sèche pendant 12 heures.



## ATTENTION

- La combustion à sec dans un pot vide est strictement interdite ;
- Avant de débrancher l'alimentation, la cuisinière à induction doit être éteinte et en état de veille ;
- Veuillez débrancher l'alimentation si elle n'est pas utilisée pendant une longue période ;
- Lorsque le poêle est en vitrocéramique, évitez d'être heurté par des objets durs et utilisez des casseroles assorties ;
- Si la vitrocéramique est endommagée, veuillez cesser immédiatement de l'utiliser et débrancher l'alimentation électrique ;
- Veuillez faire attention à l'étanchéité lors du nettoyage du poêle (ne peut pas être nettoyé au jet d'eau);
- Cette cuisinière à induction ne peut pas être utilisée pour cuire de la bouillie ou du lait de soja, sinon elle provoquera facilement des brûlures à sec et des dangers ;
- La batterie de cuisine concave utilisée dans ce réchaud correspond au fabricant. Si l'utilisateur doit le remplacer, veuillez choisir la même taille et le même matériau (fer) que le fabricant, ou contactez le fabricant pour acheter. Sinon, la puissance de feu peut ne pas répondre aux exigences, et elle peut même briser le verre et causer un danger. Les pots plats de table doivent être constitués de pots en fer dont le diamètre inférieur est supérieur à 26 cm. Les pots d'un diamètre inférieur à 33 cm ne doivent pas dépasser 10 kg de poids total. Les pots d'un diamètre supérieur à 33 cm ne doivent pas dépasser 20 kg de poids total pour éviter tout dommage. Le verre est dangereux.
- Pendant l'utilisation du poêle, les objets métalliques tels que les ustensiles de cuisine, les couteaux et les fourchettes ne sont pas autorisés
- Placez-le dans la zone de cuisson sur la table de cuisson, sinon, lorsqu'il est à proximité du wok (dans le champ magnétique), il chauffera automatiquement et provoquera un danger ;
- Ne placez pas de papier d'aluminium ou de récipients en plastique sur une surface chaude et n'empilez pas d'objets sur la surface du poêle ;
- Pendant le fonctionnement, si l'opérateur porte des bijoux en métal (fer) (bagues, bracelets, montres, etc.) sur ses mains, les bijoux peuvent automatiquement chauffer lorsque ses mains sont près du wok (dans le champ magnétique). A ce moment, arrêtez immédiatement l'opération et retirez les accessoires.
- Les utilisateurs de stimulateurs cardiaques doivent consulter le fabricant avant d'utiliser le poêle ;
- Lorsque le poêle tombe en panne, il ne peut être réparé que par du personnel formé ou recommandé par le fabricant.

## Dépannage

Code d'erreur	Phénomène de défaillance	Méthode d'exclusion
"E01" clignote	Circuit ouvert du capteur IGBT	1.Vérifiez si le capteur IGBT est ouvert 2.Vérifiez si le terminal IGBT est desserré
"E02" clignote	Court-circuit du capteur IGBT	1.Vérifiez si le capteur IGBT est ouvert 2.Vérifiez si le terminal IGBT est desserré
"E03" clignote	Circuit ouvert du capteur de bobine de fil	1.Vérifiez si le capteur IGBT est endommagé 2.Vérifiez si le câble du capteur est déconnecté et s'il y a un mauvais contact.
"E04" clignote	La température de la bobine de fil est élevée ou le capteur de la bobine de fil est en court-circuit	1.Vérifiez si le capteur est endommagé 2.Vérifiez si le câble du capteur est déconnecté 3.Vérifiez si l'interface du capteur est lâche 4.Vérifiez si le ventilateur de refroidissement du disque de bobine tourne ou si la vitesse ou la vitesse est trop lente 5.Vérifiez si l'entrée d'air ou la sortie d'air est obstruée.
"E05" clignote	Circuit ouvert du capteur de la fournaise	1.Vérifiez si le câble du capteur est déconnecté et s'il y a un mauvais contact
"E06" clignote	Circuit ouvert du capteur de la fournaise	1.Vérifiez si le capteur est endommagé 2.Vérifiez si la ligne du capteur est court-circuitée
"E07" clignote	La tension du réseau est trop faible	1.Pour les modèles 220V, vérifiez si la tension du réseau est inférieure à 150V, et pour les modèles 380V, vérifiez si la tension du réseau est inférieure à 350V 2.Vérifiez si le transformateur de puissance central est endommagé
"E08" clignote	La tension du réseau est trop élevée	1.Pour les modèles 220V, vérifiez si la tension du réseau est supérieure à 260V, et pour 380V, vérifiez si la tension du réseau est supérieure à 450V
"F" clignote	La température IGBT est trop élevée	1.Vérifiez si le ventilateur de mouvement tourne ou si la vitesse est trop lente 2.Vérifiez si l'entrée d'air ou l'évent d'échappement est bloqué
"E00" clignote	Pas de pot ou pot inapproprié	1.Vérifiez si la bobine de fil et la borne de la bobine de fil sont desserrées 2.Vérifiez si le pot est gravement déformé 3.Vérifiez si le matériau du pot utilisé convient, si le fond du pot est sérieusement déformé et si le pot est placé dans la bonne position.

### Information sur la conformité

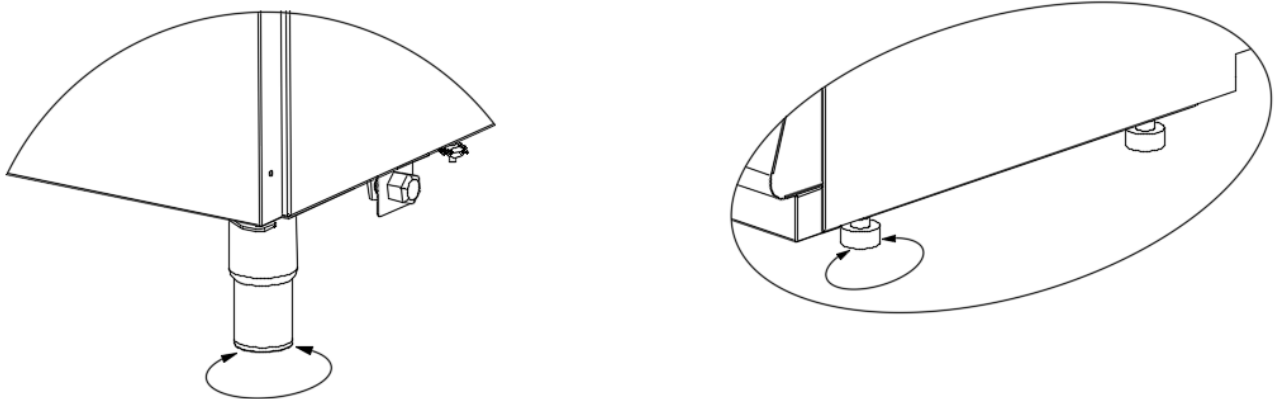
Cet appareil a été conçu et fabriqué conformément aux directives et normes suivantes.



Directive de marquage, 93/68/ CEE  
TS EN 60335-1:2012/AC  
TS EN 60335-2-37  
Directive(s) concernant  
CE: 2014/35/UE (Basse Tension)

- Restrictions d'obligation : Toutes les informations techniques, les instructions de mise en service et les informations d'utilisation et de maintenance contenues dans ce manuel contiennent les informations les plus récentes sur votre appareil. Le fabricant ne pourra être tenu responsable des dommages ou blessures personnelles résultant de la réalisation de toute procédure non conforme aux instructions d'utilisation, de toute utilisation, réparation ou modification non autorisée de l'appareil ou utilisation de pièces de rechange non approuvées par le fabricant.

## E. LES FIGURES

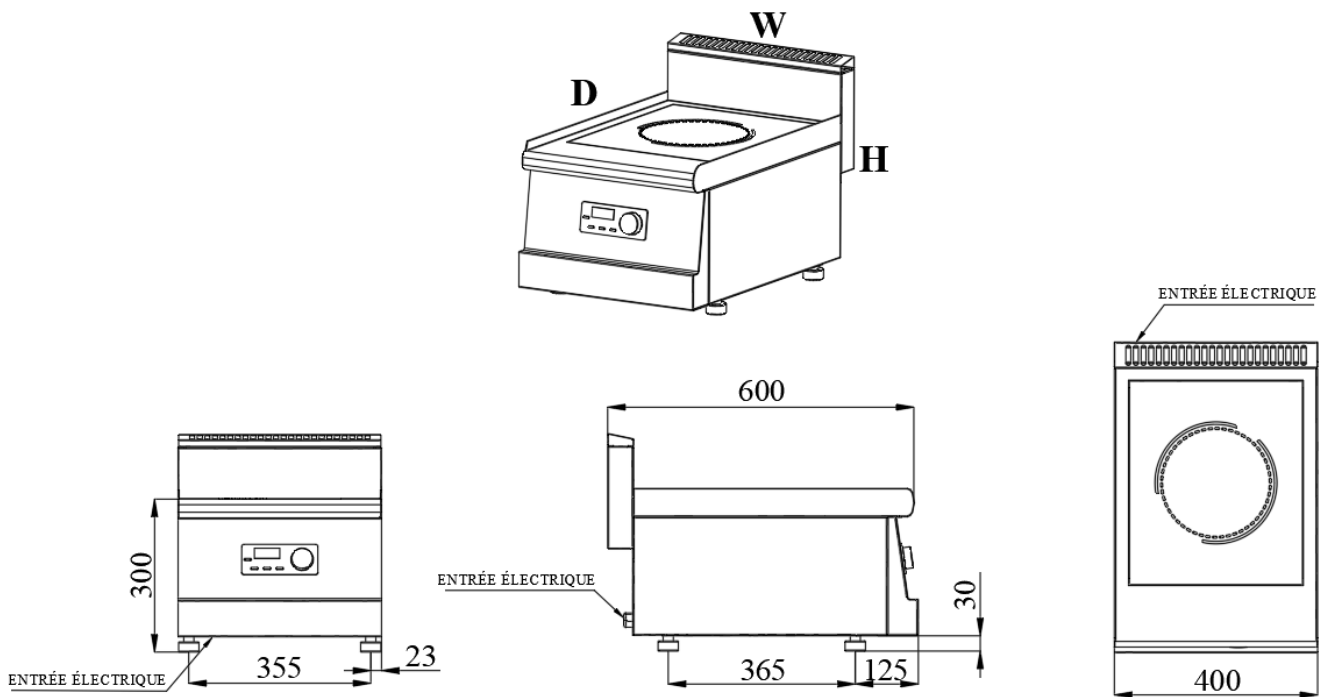


**Figure A**

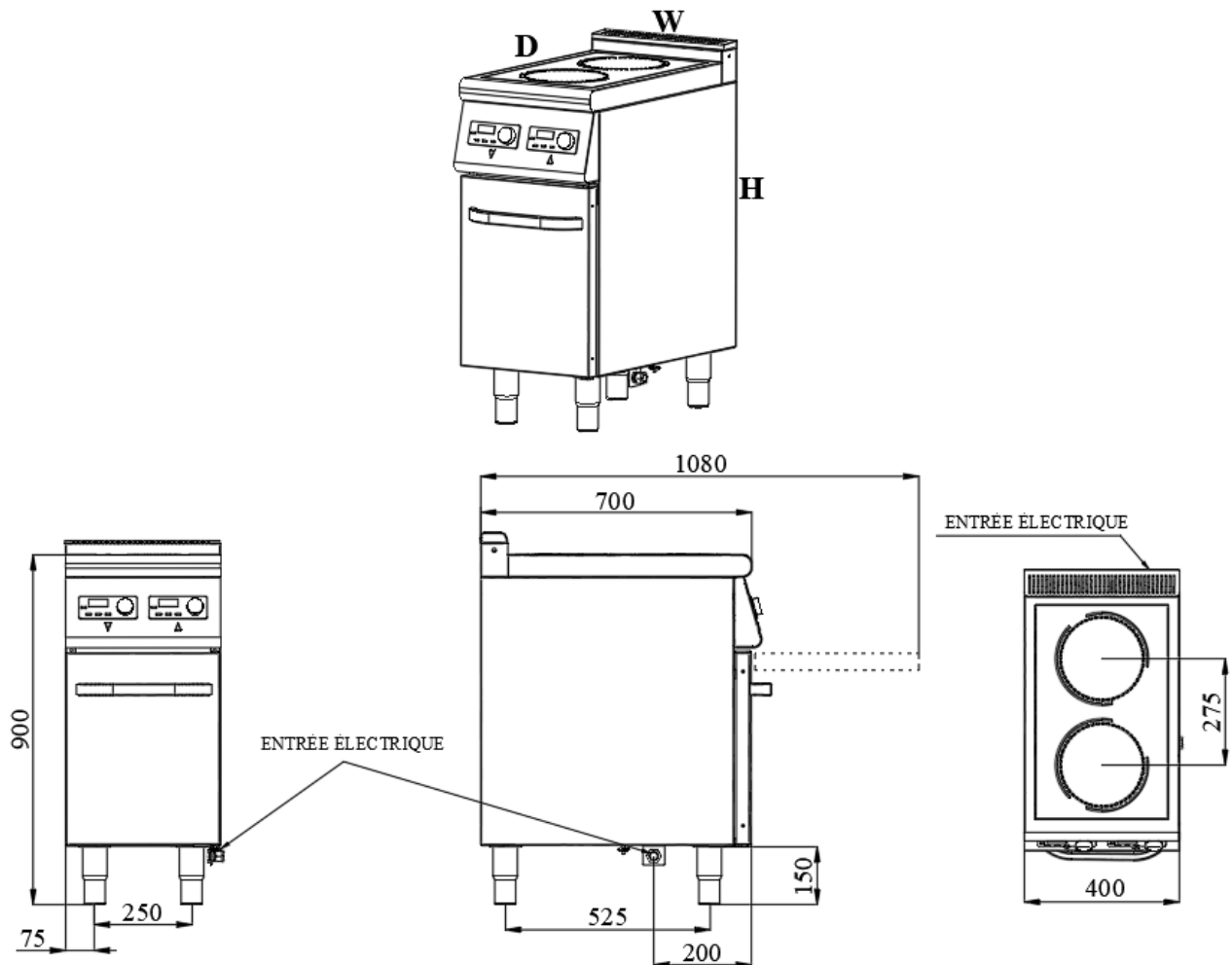
## F. DESSINS DES PRODUITS

<b>Produit</b>	<b>Largeur (W)</b>	<b>Profondeur (D)</b>	<b>Hauteur (H)</b>	<b>Source de Courant</b>	<b>Puissance</b>	<b>Câblage</b>	<b>Poids</b>	<b>Volume</b>
<b>7178.0130</b>	400 mm	600 mm	300 mm	230V AC 1N PE	3,5 kW	3x1.5 H05RNF	30 kg	0.18 m <sup>3</sup>
<b>7178.0570</b>	400 mm	700 mm	900 mm	230V AC 1N PE	7 kW	3x2.5 H05RNF	36 kg	0.44 m <sup>3</sup>
<b>7178.0575</b>	800 mm	700 mm	900 mm	400V AC 3N PE	14 kW	5x4 H05RNF	57 kg	0.84 m <sup>3</sup>
<b>7178.0580</b>	400 mm	700 mm	900 mm	230V AC 1N PE	5 kW	3x2.5 H05RNF	45 kg	0.44 m <sup>3</sup>
<b>7178.0330</b>	400 mm	700 mm	300 mm	230V AC 1N PE	7 kW	3x2.5 H05RNF	34 kg	0.21 m <sup>3</sup>
<b>7178.0335</b>	800 mm	700 mm	300 mm	400V AC 3N PE	14 kW	5x4 H05RNF	52 kg	0.36 m <sup>3</sup>
<b>7178.0340</b>	400 mm	700 mm	300 mm	230V AC 1N PE	5 kW	3x2.5 H05RNF	29 kg	0.21 m <sup>3</sup>
<b>7178.3140</b>	400 mm	900 mm	900 mm	400V AC 3N PE	10 kW	5x4 H05RNF	90 kg	0.55 m <sup>3</sup>
<b>7178.3145</b>	800 mm	900 mm	900 mm	400V AC 3N PE	20 kW	5x4 H05RNF	185 kg	1.05 m <sup>3</sup>

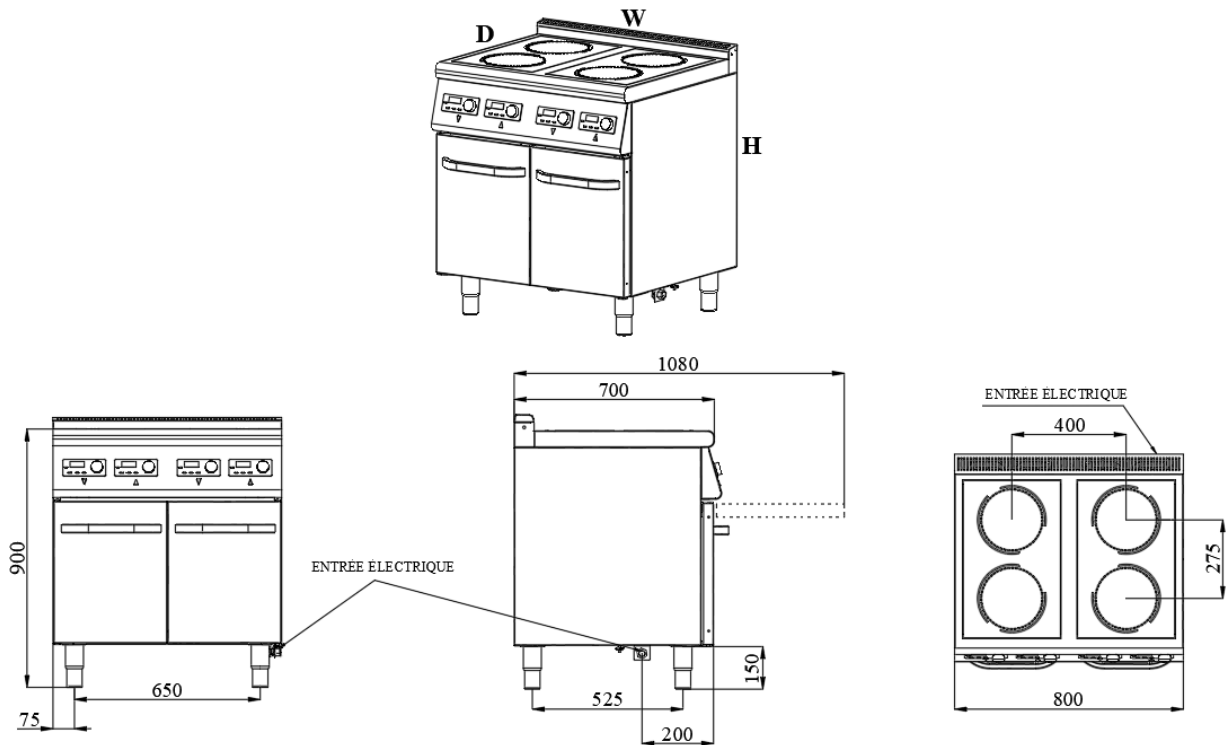
7178.0130



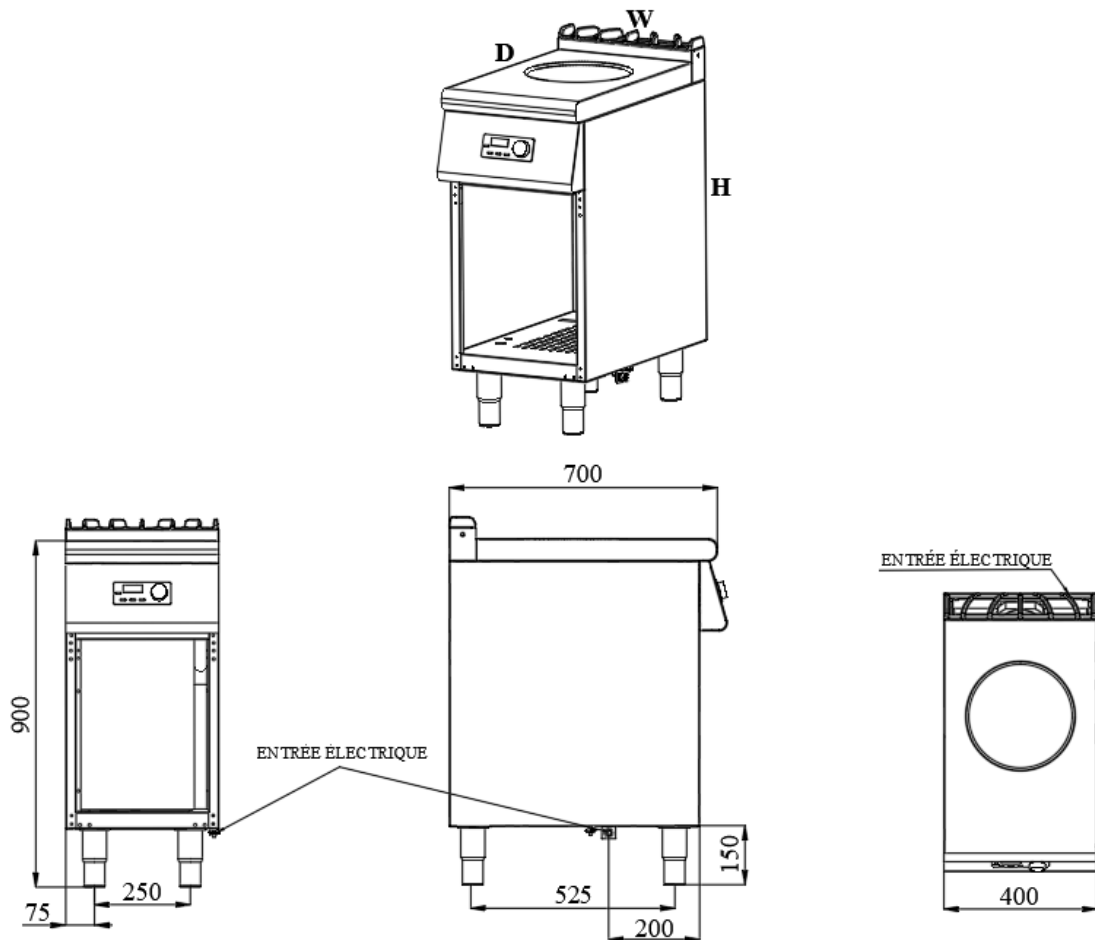
7178.0570



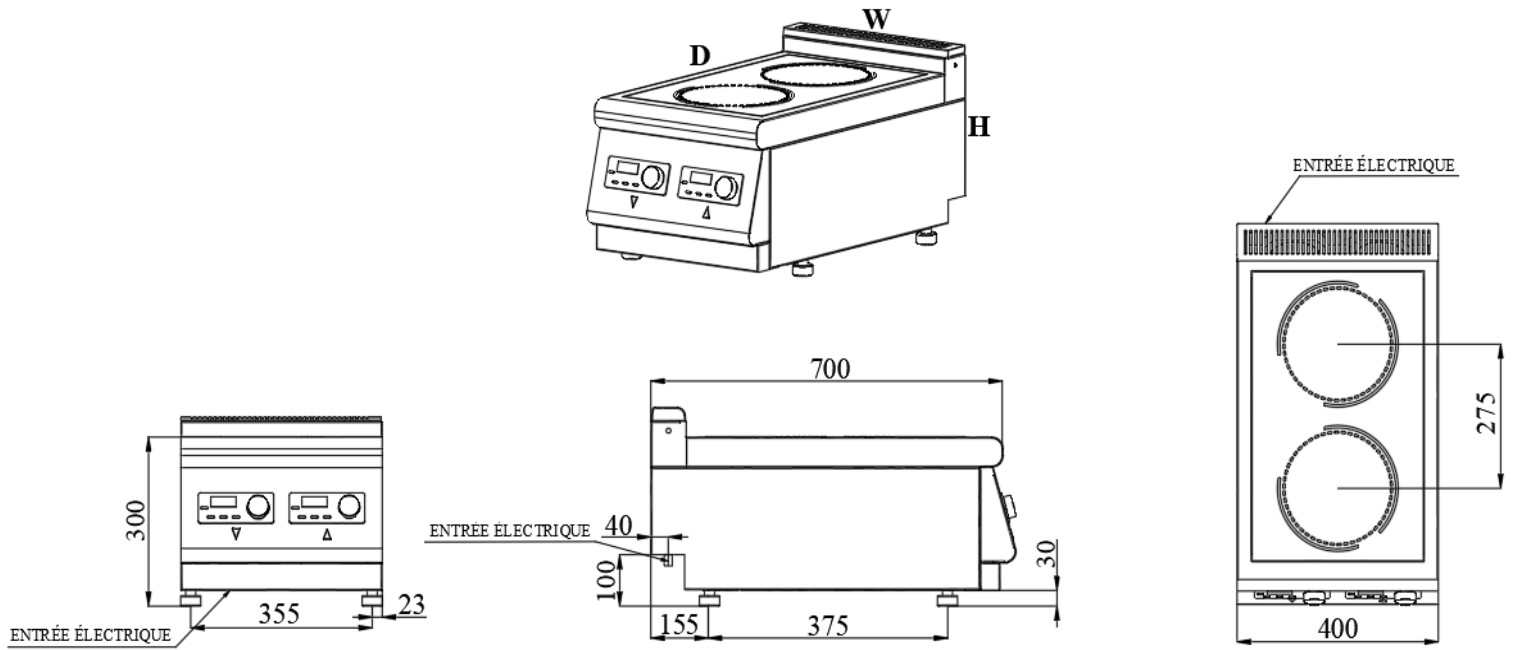
7178.0575



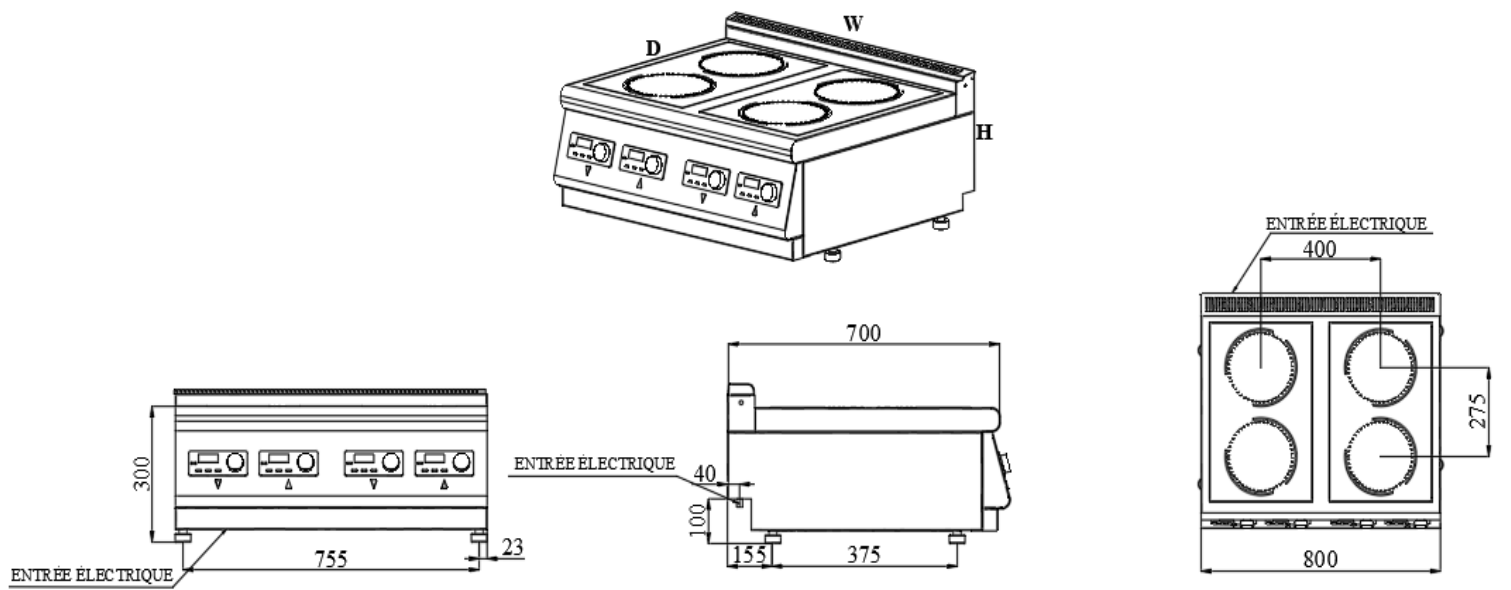
7178.0580



# 7178.0330

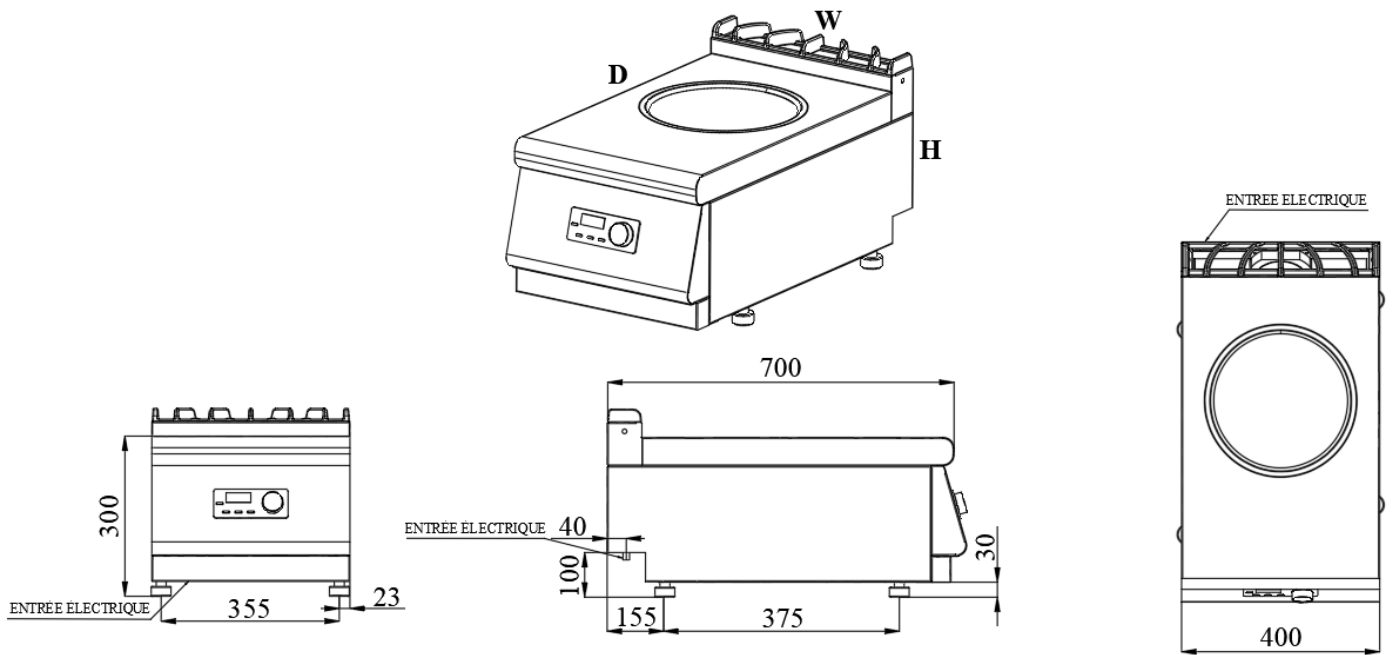


# 7178.0335

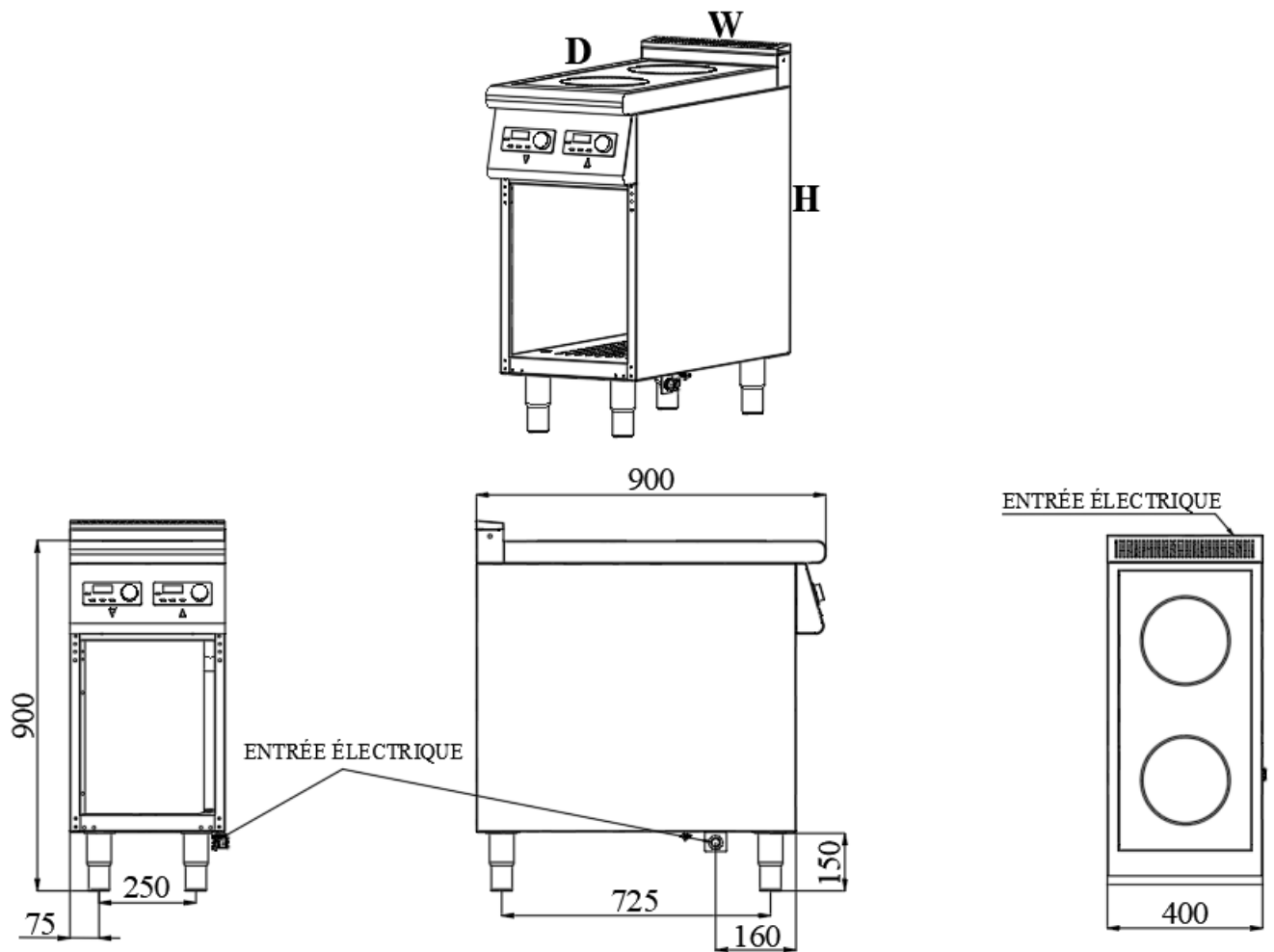




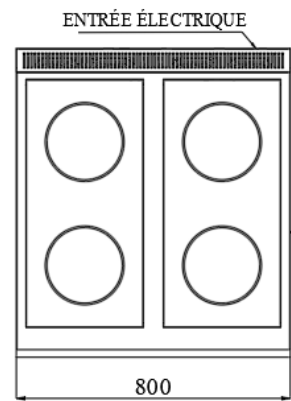
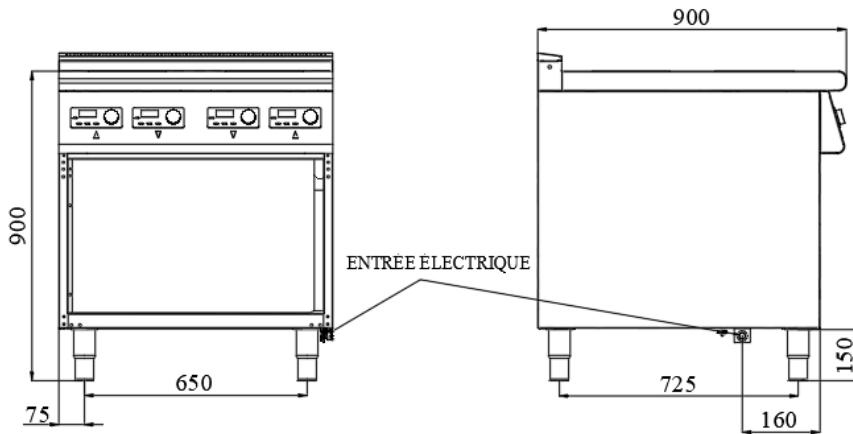
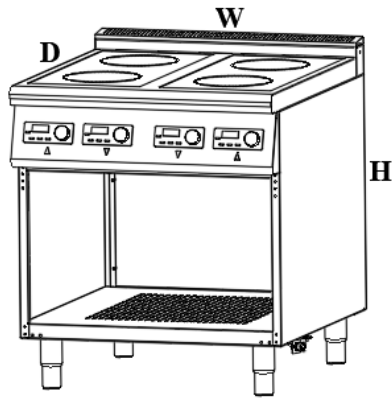
# 7178.0340



# 7178.3140

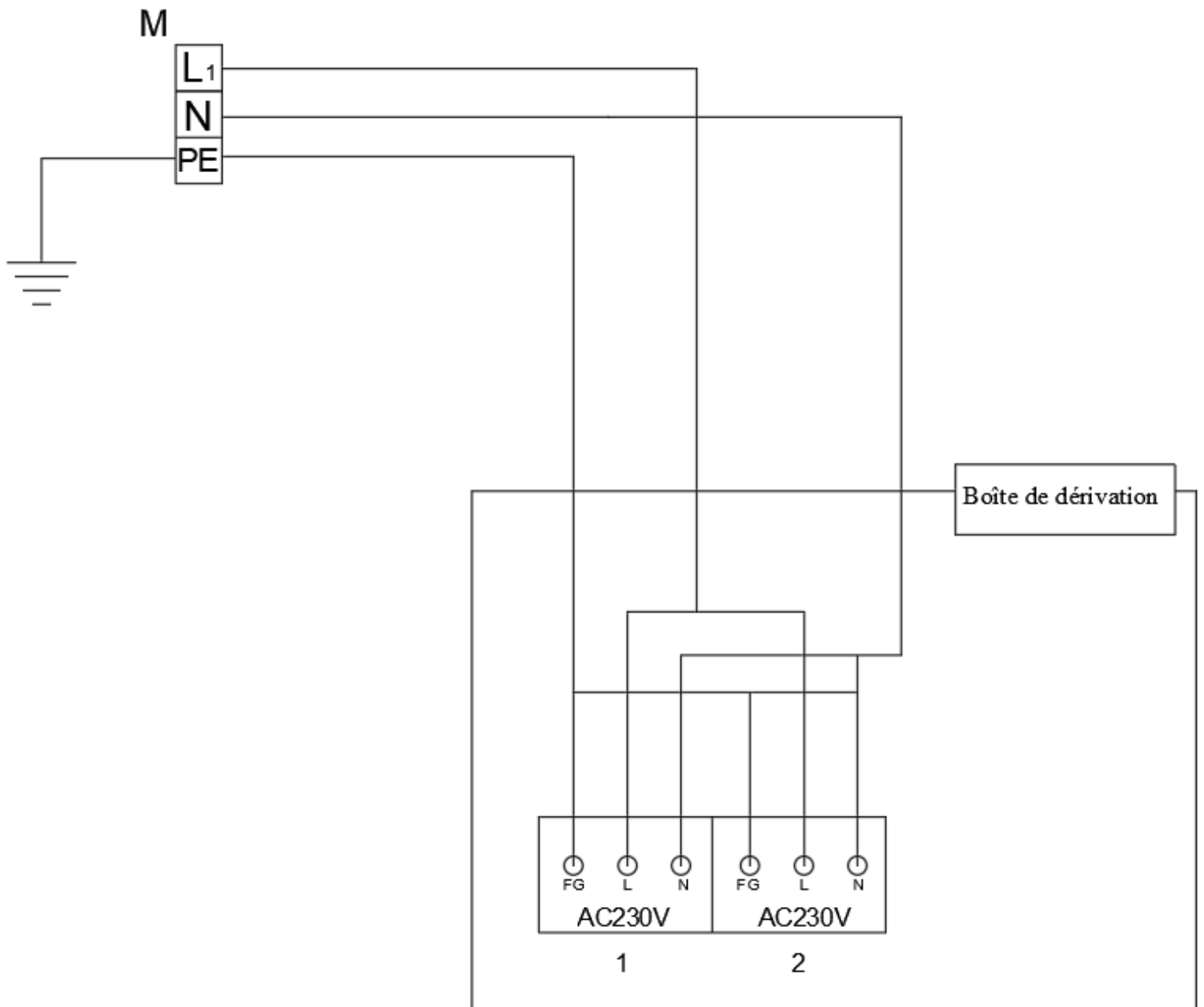


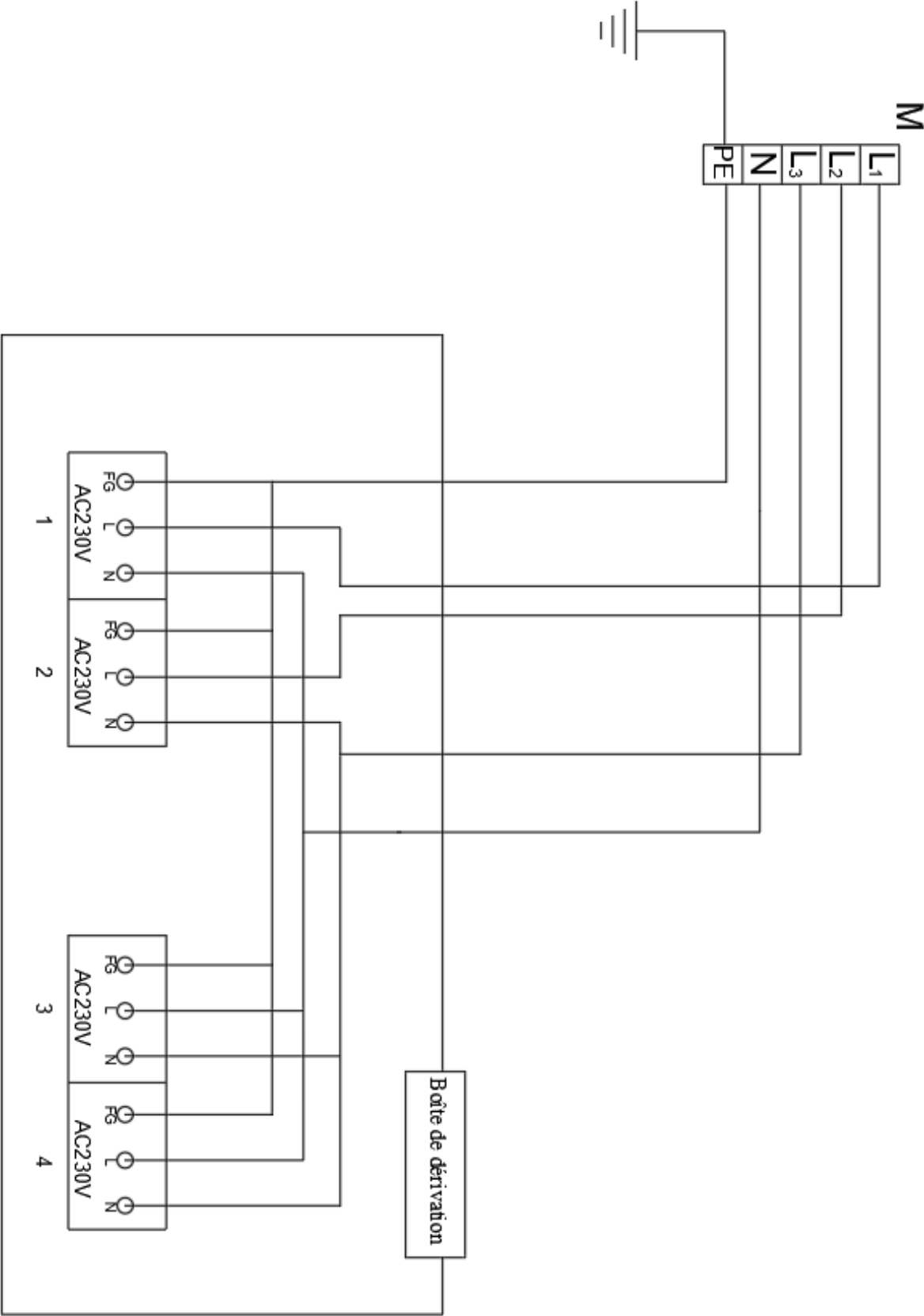
7178.3145

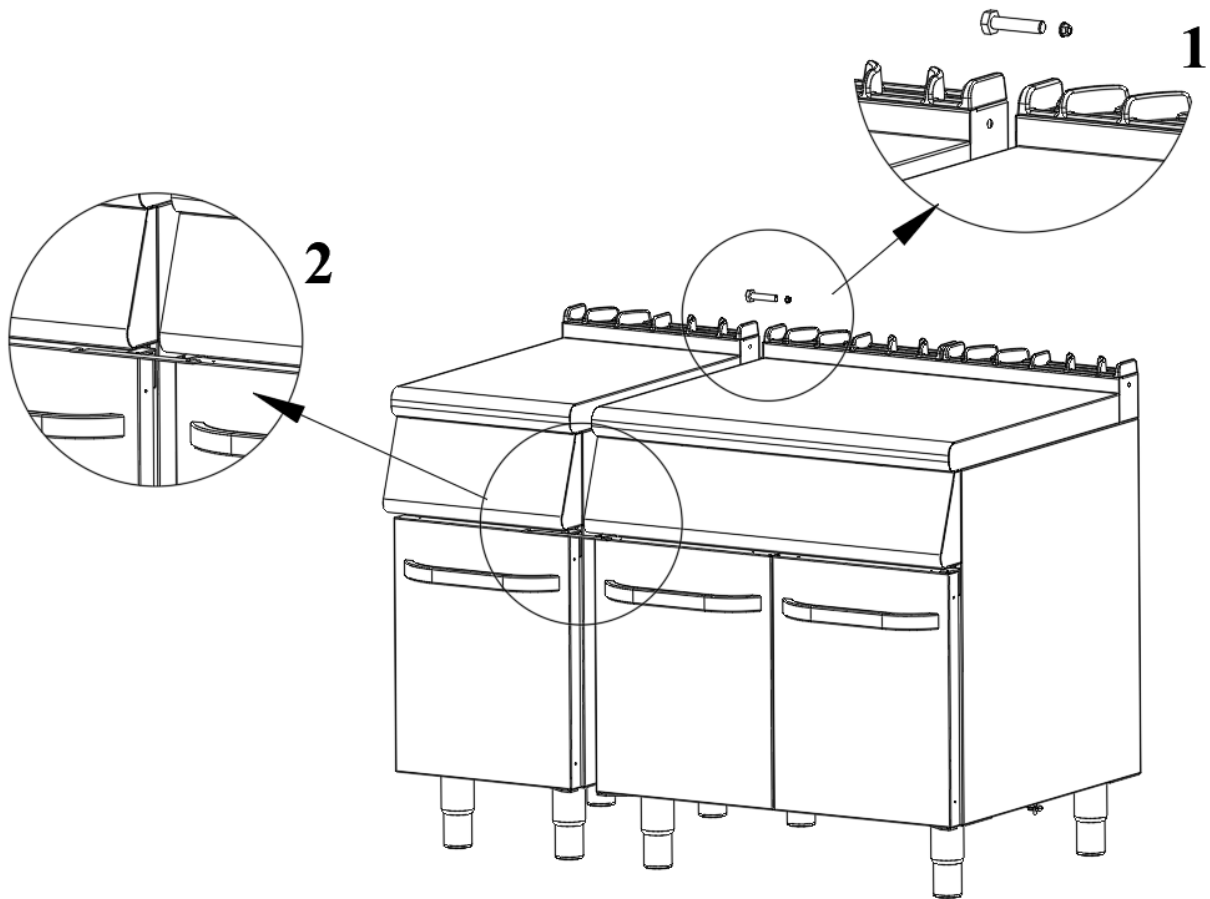


## G. DESSIN DE CONNEXION ÉLECTRIQUE

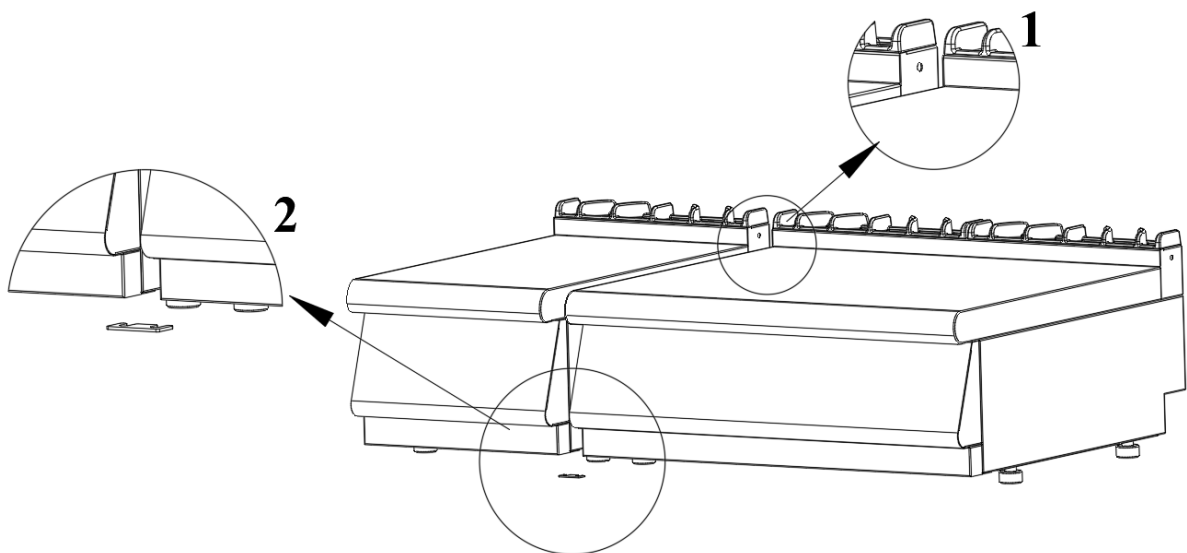
7178.0130 / 7178.0570 7178.0580 / 7178.0330 / 7178.0340 /  
7178.3140







**Fixation SÉRIE 700 / 900**



**600 / 700-S Schéma de fixation de périphérie série**



## **Combisteel BV**

Office: Lichtschip 63, 3991 CP, Houten, The Netherlands

Warehouse: Verlengde Gildenweg 20, 8304 BK, Emmeloord, The Netherlands

TEL: +31 (0)30 285 00 90

E-mail: [info@combisteel.com](mailto:info@combisteel.com)

[www.combisteel.com](http://www.combisteel.com)