



Refrigerator Glass Door

7464.0015 - 7464.0085 - 7464.0088

7464.0090 - 7464.0093 - 7464.0094 - 7464.0095

7464.0200 - 7464.0205 - 7464.0210

User Manual

Gebruikershandleiding

Gebrauchsanweisung

Le mode d'emploi



CONTENT

ENGLISH

1. INTRODUCTION	3
2. PRECAUTIONS AND SAFETY INSTRUCTIONS BEFORE THE INITIAL START-UP	3
3. TECHNICAL FEATURES	4
4. ASSEMBLING SINGLE DOOR COOLER / THE INITIAL START-UP	7
5. OPERATION.....	7
6. CLEANING, MAINTENANCE AND TRANSPORTATION.....	11
7. TROUBLESHOOTING.....	12
8.1. FOR MODEL WITH ELECTRONIC CONTROL SYSTEM.....	12
8.2. FOR CAREL ECOBOX AND CAREL ENERGY SAVING CONTROLLED MODELS	14
9. COMPLIANCE NORMS.....	14

NEDERLANDS

1. INLEIDING.....	15
2. VOORZORGSMAATREGELEN EN VEILIGHEIDSINSTRUCTIES VÓÓR DE EERSTE INBEDRIJFSTELLING	15
3. TECHNISCHE KENMERKEN.....	16
4. SAMENSTELLING ENKELE DEURKOELER / DE EERSTE INBEDRIJFSTELLING	19
5. GEBRUIK.....	19
6. REINIGING, ONDERHOUD EN VERVOER.....	23
7. PROBLEEMOPLOSSING.....	24
8.1. VOOR MODEL MET ELEKTRONISCH REGELSYSTEEM.....	24
8.2. VOOR CAREL ECOBOX EN CAREL ENERGIEBESPARENDE GECONTROLEERDE MODELLEN	26
9. NALEVINGSNORMEN	26

DEUTSCH

1. EINFÜHRUNG	27
2. SICHERHEIT UND MASSNAHMEN VOR DER ERSTEN INBETRIEBNAHME	27
3. TECHNISCHE EIGENSCHAFTEN.....	28
4. MONTAGE	31
5. BEDIENUNG.....	31
6. REINIGUNG, WARTUNG UND TRANSPORT.....	35
7. BEVOR SIE DEN KUNDENDIENST RUFEN	36
8.1. GÜLTIG NUR FÜR KÜHLER MIT ELEKTRONISCHEN PRÜFSYSTEMEN.....	36
8.2. CAREL ECOBOX UND CAREL ENERGYSAVING PRODUKTE MIT THERMOSTAT.....	38
9. KOMPATIBILITÄTSSTANDARDS DER PRODUKTE.....	38

FRANÇAIS

1. INTRODUCTION	39
2. OPÉRATIONS À FAIRE ET MESURES DE SÉCURITÉ À PRENDRE AVANT LA PREMIÈRE MISE EN MARCHE	39
3. CARACTÉRISTIQUES TECHNIQUES.....	40
4. MONTAGE	43
5. UTILISATION	43
6. NETTOYAGE, ENTRETIEN ET TRANSPORT	47
7. CE QU'ON DOIT FAIRE AVANT D'APPELER LE SERVICE COMPÉTENT.....	48
8.1. POUR LE MODÈLE AU SYSTEME CONTROLE D'ELECTRONIQUE	48
8.2. CAREL ECOBOX ET CAREL ENERGY SAVING POUR LES MODELES A CONTROLE	50
9. NORMES DE CONFORMITÉ DES PRODUITS	50

1. INTRODUCTION

This operation manual has been designed to facilitate the use of your single door cooler with maximum efficiency over the years. In all of the manufacturing processes “**environmentally friendly**” technologies are used as well as materials and refrigerants that are not harmful to the nature. **Please read this manual carefully before you start operating your cooler in order to prevent user defects and ensure maximum efficiency from this product that has been manufactured to serve you over the years.**

Detect the cooler immediately on delivery for any damage. In case of any damage, contact with your authorized dealer within 24 hours.

Attention: it requires a lapse of minimum 2 hours after any transportation before you start operating your cooler. If the cooler has remained in an environment where the temperature was below 0°C for a long period, allow for the compressor temperature to reach beyond +5°C before re-operating the cooler.

2. PRECAUTIONS AND SAFETY INSTRUCTIONS BEFORE THE INITIAL START-UP

Your cooler must be plugged certainly in an earthed wall socket.

Before operating the cooler, ensure that the mains socket is checked for proper earthing (grounding) and nominal voltage and frequency requirements by the authorized service staff or a qualified electrician. If the supply cord is damaged, it must be replaced by the manufacturer, or its authorized service or a similarly qualified person in order to avoid any hazard.

Do not use multi socket and extension cable.

The main power supply to which the cooler is connected must have a leakage current relay.

The nominal voltage and frequency requirements for the body are specified on the data plate.

Never make any repairs or carry out maintenance while the cooler is plugged in the mains socket.

Do not position the cooler in a place close to a source of strong heat or exposed to direct sunlight. Always remember that the UV lights in the sunlight deteriorates products in the glass door cooler. The appliance can be used in ambient temperature of max 32°C.

Unless otherwise stated, do not place your cooler to open areas where water can leak in.

Do not wash with pressurized water or hose when cleaning the product and its surroundings, use a wet cloth. Otherwise, the water which may intrude into the electrical components of the product can cause electric shock and fire risk.

Do not place your products in highly humid placed and/or places subject to corrosion.

Start the cooler on a level surface. Position in on the floor and make sure that it is level using a bubble gauge. If the cooler is found to tilt in one particular direction, please adjust the height of the corresponding leg until it is level. Then please move the cooler to the location where it will be used.

Do not relocate the cooler or move the cooler on its rollers while its loaded with product. If cooler is empty, please do not push the cooler to pass over cables or door frames, to avoid roller damages. Never push the cooler when the pavement is uneven, having inclination, or there are stairs nearby.

All the components that produce heat are located at the bottom part of your cooler.

Proper air circulation at this part is very important to ensure performance, therefore while positioning the cooler, allow minimum 10cm of space from the sides.

Do not let children get into and play around the body.

Keep the cooler key and plastic bags covering the accessories and the manual in a safe place out of reach of children.

Do not place any explosives and flammables in the cooler for safety reasons.

Leave the top of the cooler free, so that hot air from bottom can circulate effectively.

This appliance can be used by children aged from 8 years and above and persons with reduced physical, sensory or mental capabilities or lack of experience and knowledge if they have been given supervision or instruction concerning use of the appliance in a safe way and understand the hazards involved. Children shall not play with the appliance. Cleaning and user maintenance shall not be made by children without supervision.

PLEASE CHECK YOUR REFRIGERANT GAS TYPE FROM THE RATING LABEL: R134A, R600A, R290 OR R744 (CO2)

Only for the models with R600A or R290 gas:

R600A/R290 gas is used in some models, explained in this instruction manual. R600A/R290 is an environmentally friendly gas and used in appliances which have effective cooling technology. This gas is flammable only under certain conditions. You must follow up the following rules if you wish to get normal operating conditions.

WARNING: keep ventilation openings, in the appliance enclosure or in the built-in structure, clear of obstruction.

WARNING: do not use mechanical devices or other means to accelerate the defrosting process.

WARNING: do not damage the refrigerant circuit.

WARNING: do not use electrical appliances inside the storage compartments of the appliance.

WARNING: in order to reduce flammability hazards, the installation of this appliance must only be carried out by a suitable qualified person.

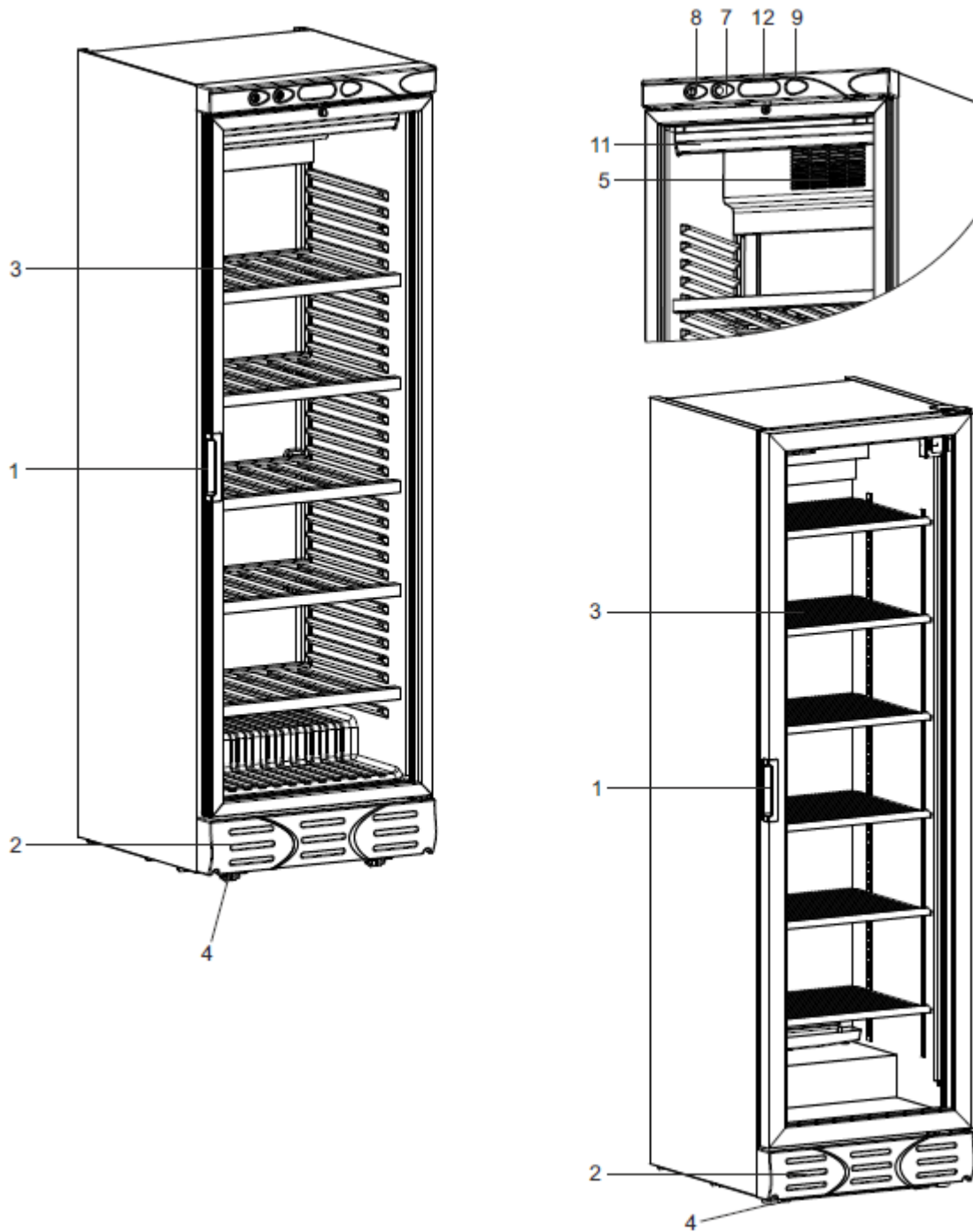
Do not tangle with the device due to maintenance, repair or any other reasons other than authorized service.

Plug off the device against any possible freezing or icing and leave for defrosting.

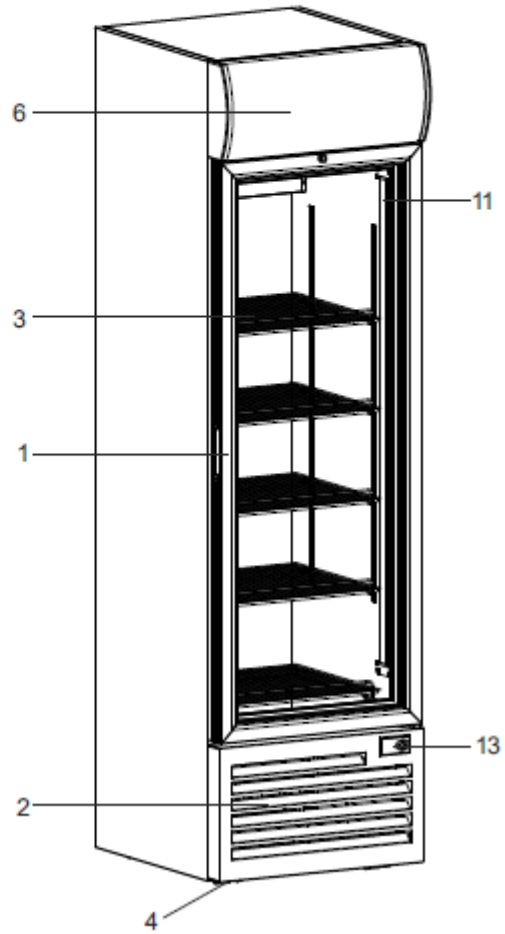
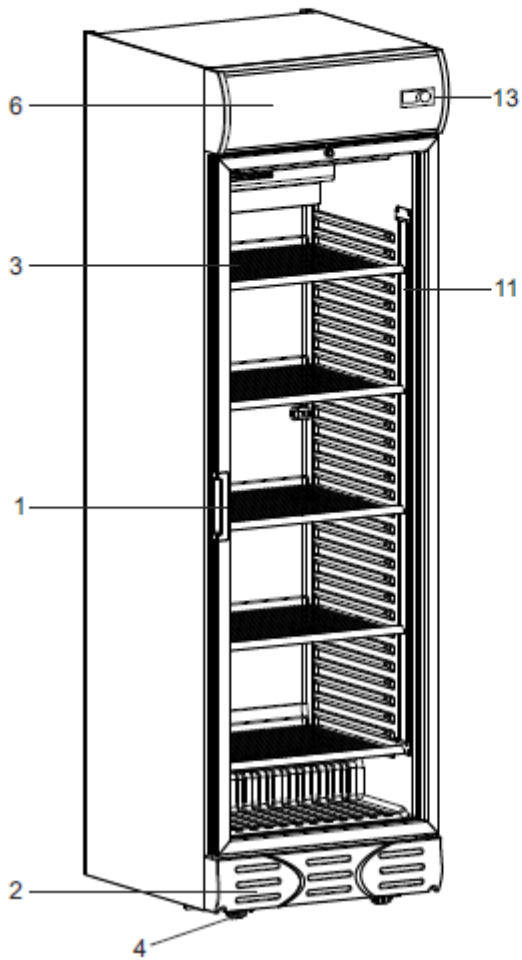
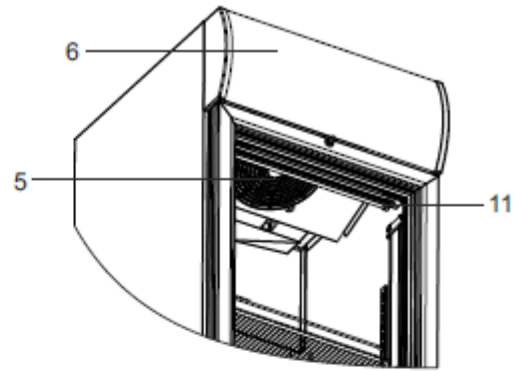
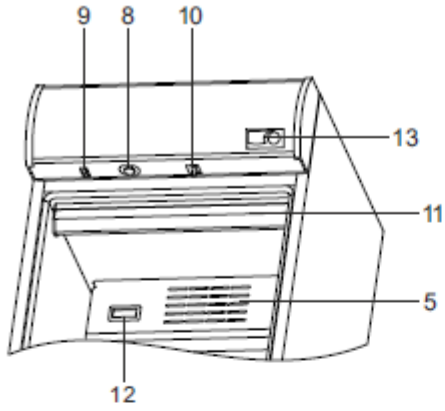
Choose original components for all parts necessary for replacement on the product.

3. TECHNICAL FEATURES

1. Door
2. Power compartment
3. Shelf
4. Adjustable height
5. Interior ventilation fan
6. Canopy
7. Green light
8. Thermostat setting knob
9. Lighting switch
10. Fan switch
11. Interior lighting
12. Thermometer
13. Electronic thermostat (optional)



NOTE: The pictures given above are optional. They may vary due to models and versions.



NOTE: The pictures given above are optional. They may vary due to models and versions.

Technical features	Operating temperature °C	Internal dimensions WxDxH (mm)	External dimensions WxDxH (mm)	Max. shelf load (net) Kg
7464.0015	+4/+10	430x456x774	500x580x865	31
7464.0085	+4/+10	490x447x1570	595x650x2000	41
7464.0088	+4/+10	490x447x1570	595x650x2000	41
7464.0090	+4/+10	490x447x1570	595x650x2000	41
7464.0093	+4/+10	490x447x1570	595x650x2000	41
7464.0094	+4/+10	490x447x1570	595x650x1850	41
7464.0095	+4/+10	490x447x1570	595x650x1850	41
7464.0200	+4/+10	450x497x2024	374x392x1408	23
7464.0205	+4/+10	450x497x1881	374x388x1441	23
7464.0210	+4/+10	374x551x1584	450x656x2024	23

Values specified above are given according to standard values and can vary by optional features.

Type label is located in the refrigerant part of the cabinet.

Please see the back page of the guide for the type label sample.

Climate Classes			
Class	Temperature °C	Relative humidity %	Dew point °C
0	20	50	9,3
1	16	80	12,6
2	22	65	15,2
3	25	60	16,7
4	30	55	20
5	40	40	23,9
6	27	70	21,1
7	35	75	30
8	24	55	14,4

4. ASSEMBLING SINGLE DOOR COOLER / THE INITIAL START-UP

Air circulation at the rear is required for the coolers operate efficiently. Move the cooler backwards to place it properly. Allow minimum 10cm of space from the sides and the rear in order to ensure proper air circulation. Level the top of the cooler free. Your cooler is now ready to plug in.

5. OPERATION

Avoid blocking air circulation inside the cooler, when loading the cooler with products. Otherwise undesired and extensive temperature variances may occur between the top and bottom compartments of the cooler.

Control panel:

Control panel consists of the following components depending on the model:

Green light (optional):

It is lit so long as the cooler is connected to the electric supply.

Thermostat setting knob (optional):

It is used to regulate the internal temperature of your cooler.

Thermostat adjustment is the most optimum adjustment in products with mechanical thermostat in factory defaults. It is recommended not to be replaced as long as it is not troubled with the internal product temperature. If you think that the product is not in desired temperature range you can make thermostat adjustment.

Thermostat setting must be done according to the features of the products to be preserved. Temperature setting can be done by means of turning the black thermostat knob on the control panel by the help of a coin or similar object. Turning the knob right decreases the internal temperature, whereas turning it left increases the internal temperature. Turning the knob left stops the compressor, which in turn stops the chilling process, although the electric current to the cooler is not cut off.

Internal ventilation fan switch (optional):

It used to provide air circulation inside the cooler.

Internal lighting switch (optional):

It is used to turn on or off the internal light of your cooler. If the light bulb does not function anymore, always unplug the cooler from the mains before replacing it. Pull up the lamp cover. Rotate the electric bulb 90 degrees, take it off and replace it with a new one. Always replace the starter whenever you replace the electric bulb.

Dismantling the illuminated advertisement panel (optional):

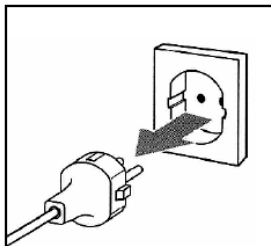
If it ever requires dismantling the illuminated advertisement panel, do the following:

The LEFT lid is screwed to the body and it is not possible to dismantle it from the outside.

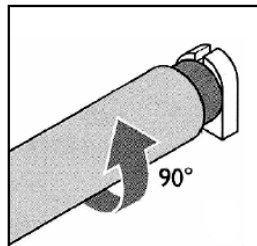
Therefore do not try to remove it. Advertisement panel is fixed to the RIGHT lid. Hold the right lid on the top and bottom sides and pull it RIGHTWARDS. The right lid will slide on the upper and lower tracks allowing the compartment to open. Once the compartment is open, carry out the needed (replacing the florescent lamps) and close the compartment by pulling the lid in the opposite direction.

Replacing the fluorescent lighting: (if your product has fluorescent lamp)

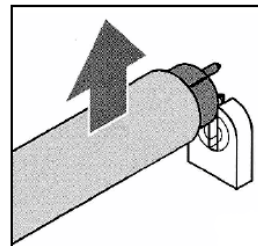
Before dismantling the lamp, always unplug your cooler. After dismantling the lamp cover inside the cooler, remove the lamp and always replace it with a lamp of the same features (length, power, etc.)



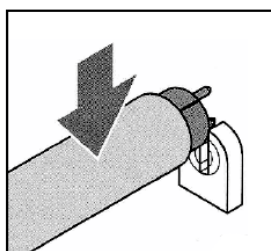
Unplug your visi-cooler.



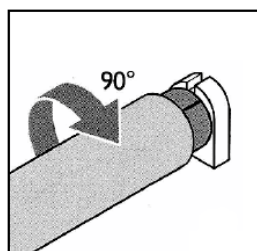
Rotate the lamp 90°.



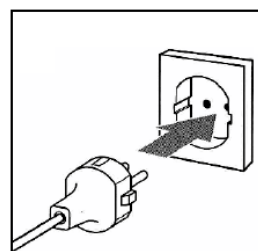
Remove the destroyed fluorescent lamp.



Place the new fluorescent lamp.



Rotate it 90°.



Switch on your visi-cooler again.

WARNING:

Your cooler can have a fluorescent lamp. If the fluorescent lamp doesn't illuminate or start blinking, please call technical service to repair it in a short while. Please do not remain your cooler with non-working lighting system.

Your cooler can have a LED illumination. If you face any problem with LED illumination, never try to repair it yourself. Inform an authorized service.



Mounting the shelves:

For Models With Option 1 :

There are shelves shipped inside the cooler.

First insert the uppermost shelf in the uppermost hooks in the body. Insert the others correspondingly with the same method. Chilling process in the body takes place through the internal air circulation. Therefore do not place the shelves very close to one another.

For Models With Option 2 :

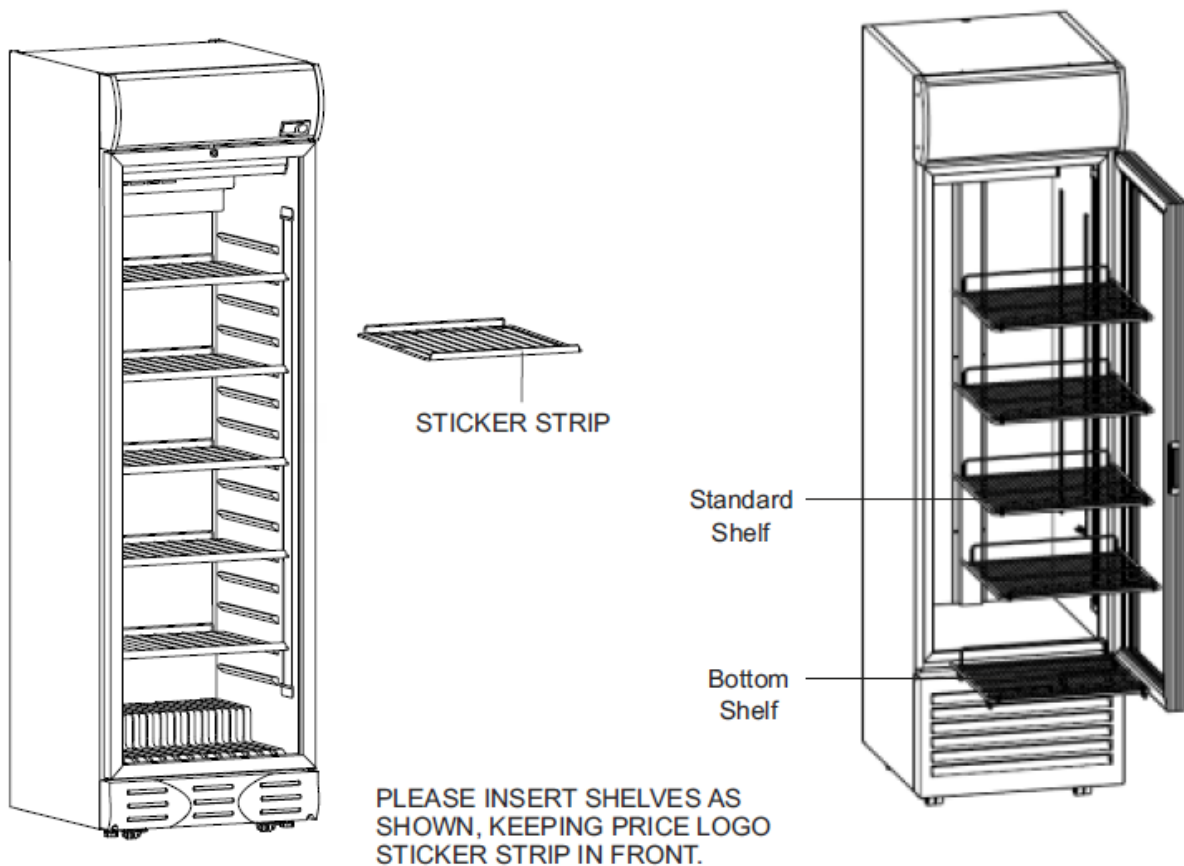
There are shelves and shelf supports shipped inside the cooler.

Carry out the following to mount the shelves:

- Pilasters are numbered to provide height adjustment between the shelves in line with the product requirements. Place the shelf supports into corresponding notches on the pilasters. For an easy placement, use a pair of pincers to grip the support ends.
- Lay down the shelves on the cooler floor. (Make sure that the right-angled (90°) side is at the rear).
- Hold the uppermost shelf; tilt one side and place on the hooks on the corresponding supports.
- Do the same for the remaining shelves and mount them all.
- If present, place the bottom shelf on the base of the cooler.

ATTENTION :

Do not ever load anything on the base of your cooler. Always use bottom shelf.

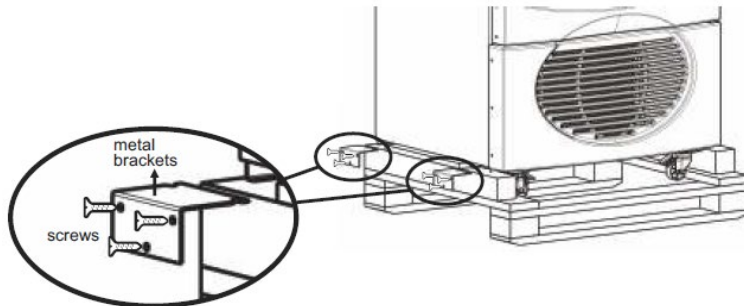


Removing the pallet and inserting the feet

For models with metal sheet connectors

Your cabinet has been fixed with 4 metal brackets on wooden pallet before shipping. Please follow the instructions below before placing on its place.

Detach by unbolting 3 screws and remove metal bracket fixed cabinet and wooden pallet in front and back sections through a cutter device. Lean cabinet backwards from backside and remove pallet from underneath cabinet. Observe floor of cabinet and if not smooth, put product on scales.



For models without metal sheet connectors

Your Single Door cooler has been delivered on a wooden pallet, fixed to the body at four corners. Please carry out the following to detach the pallet before the body is set in its final operating location:

- Cut the 4 cable ties fixing to pallet to the cooler chassis by the means of a hand tool
- Carefully detach the pallet from the body base. Please find the feet of the cooler provided interior. Insert them in the screwed sockets at the bottom of the cooler and make the height adjustment.

CAUTION: The adjustable legs on the front side of the cabinet should never be opened at the same time. Depending on the imbalance of the product, only one of the adjustable legs on the right or left side should be opened and the product should be balanced in this way.

SAFETY SHEET:

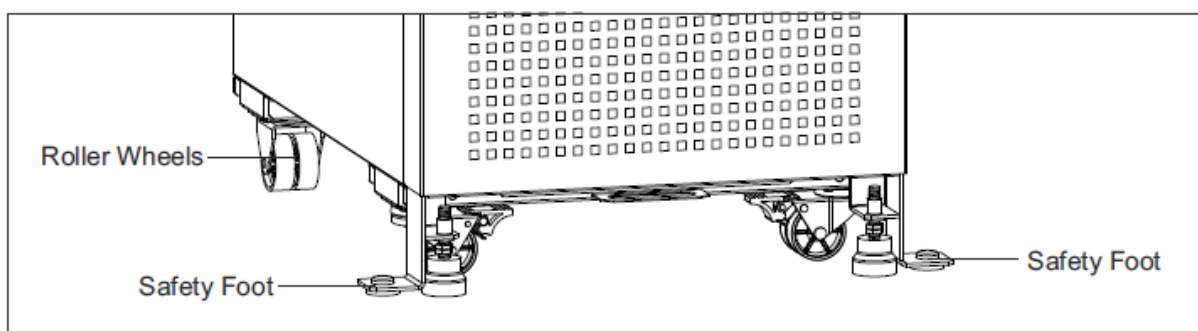
If you have a wheeled product, there are 2 safety feet on the front of your product.

ATTENTION!

Unless they are damaged and replaced by the same feet do not remove the safety feet under any circumstances! Never change the safety feet while the cooler is running!

Change the safety feet by tilting the product towards the back or right side of the product.

Never change the safety feet while the cooler is in the upright position.

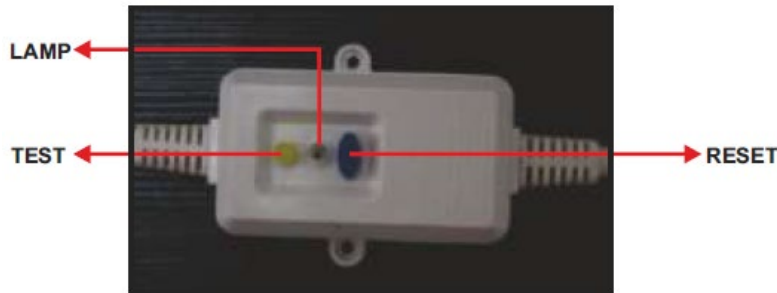


ONLY AVAILABLE FOR MODELS HAVING A LEAKAGE CURRENT RELAY :

There might be a leakage current relay in the feeder cable of your refrigerator.

To test if the leakage current relay works properly, press the yellow "TEST" button shown in following picture, the light will be off and the power of your refrigerator will be stopped when you press it . You can energize the refrigerator again by pressing "RESET" button.

In case any leakage current, the power of your refrigerator will be stopped automatically. If your refrigerator does not work and the lamp connected to plug in cable and shown in following picture does not shine, press the "RESET" button. The light will be on when your refrigerator works. If your refrigerator does not work again, please apply to authorized service.



ONLY AVAILABLE FOR MODELS HAVING A VOLTAGE REGULATOR :

Voltage regulator of your refrigerator protects the unit against mains voltage fluctuations. When mains voltage fluctuates out of permissible range, voltage regulator turn off the power supply of the unit, end when mains voltage is back in the permissible range, the device will operate again. However, even in case mains voltage is back in permissible range instantly, the voltage regulator will turn on the power supply after a 3-minutes delay, to protect the device against voltage peaks and voltage dips.

Defrosting:

Your cooler is devised with an automatic defrosting system regulated by the thermostat. Defrost water accumulates in the channel underneath the evaporator; it is then carried to the drip tray by the help of a hose where it evaporates. After defrosting, clean the body and make sure to wipe it out leaving no moist inside.

Plug the body again and reload the cooler after one hour.

6. CLEANING, MAINTENANCE AND TRANSPORTATION

To ensure higher efficiency, your cooler must be regularly cleaned. Never use any cleaning agent that contains alcohol, scouring powder or powerful solvents. Always remove the plug from the mains socket before cleaning the cooler. Add two teaspoons of baking soda (bicarbonate of soda) in 1 liter water and use the mixture to clean the cooler. Clean the outer part with a wet cloth and then wipe it out.

Attention: never use any hot water, electrical heater, sharp tools or similar things as they may ham the cooler.

Holidays/stop using for a while:

Do not unplug your cooler if you are going on a holiday or stop using it for a short time. If you are going on a holiday or stop using the body for a long time, unplug the cooler and empty it. After defrosting, clean the cooler and wipe it out with a cloth. Leave the door open to prevent odour in the cooler.

Transporting your cooler:

Before relocating the body, unplug it from the mains socket, defrost it, wipe the interior walls and floor with a damp cloth, place the plastic blockings between the glass door and the body and carry it in the normal position as it is used.

Attention: expansion gas (C-Pentane) is used in the insulation system of the cooler. When you dispose the body, it requires observing the applicable laws and rules of the country in which it is used.

Cleaning / maintaining of your cooler's condenser must be done at least two times in a year by authorized service.

7. TROUBLESHOOTING

If the cooler does not function:

- Check if the cooler is properly plugged in the mains socket.
- Check if there is electric current to the mains socket.
- Check if the fuse has blown out.
- Check if there is power failure.

If the cooler operates more frequently than desired:

- Check if the door is opened very frequently or left open for a long time.
- Check if the thermostat is set to chill more than desired.
- Check if the compressor compartment is properly ventilated or compressor compartment needs cleaning.

If the cooler does not cool enough:

- Check the temperature setting.
- Check if the door is opened very frequently or left open for a long time.
- Check if the internal air circulation is interrupted by overloading.
- Cleaning/maintaining of condenser might not be done (please see Section 6).

If there is odour in the cooler:

- Check if odorous stuff is openly stored.
- Check if inside is properly cleaned.

After checking the above mentioned points and carrying out the recommendations, if your cooler still functions unsatisfactorily, contact the nearest authorized service centre, informing your complaints as well as the model and serial number of your cooler.

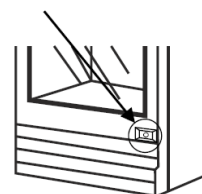
8.1. FOR MODELS WITH ELECTRONIC CONTROL SYSTEM

Our models with electronic control are designed with purpose of minimizing the energy consumption, and for that purpose they are equipped with special control systems. Your product is not only with thermostat control, it is equipped with a control system having feature of self-learning.

It is unfavourable to mount and dismount the magnetic door switches, motion sensor and other equipment by unauthorized people.

Control system is set so that refreshments should be kept at 3°C. This temperature value is the plant set temperature so that you can get the optimum efficiency from the cabinet and the ideal temperature recommended by refreshment producers.

MOTION SENSOR



Operating mode of electronic control system

The most important feature of the system is the self-learning module. It can sense conditions of the usage and when the selling point that the product is placed, is open or closed and it can control the operation characteristics in this direction. This features are provided by recording the properties as the density of the people around the cooler, frequency of opening and closing of the door of the apparatus, light level of the environment where the cooler is inside, with the help of the sensors.

Features that can be controlled by the control system

Control unit can open the lights of the cooler when the selling point is open and shuts off the lights when the selling point is closed. This feature shall operate after finishing the learning period of the control system. The light of the cooler shall be open until finishing the learning period. Please do not try to close it by yourself.

Control unit can control the inside evaporator fan. When the door is opened, inner fans are stopped. When the equipment is in stand-by mode, inner fan operates and stops with certain intervals. Stand-by mode refers the night or the hours that cooler is not used.

When the door of the unit is open for more than 2 minutes, control unit give signal. For this reason, it is normal to have signal during the loading of the refreshment. When the loading is finished, signal stops with closing of the door.

In stand-by mode control unit can lower the operation period of the compressor to the minimum levels.

Control unit applies defrost periods in certain intervals and it stops cooler system completely. After defrost operation, system turns normal condition again.

If there is a cooling defect in your cooler, control unit gives an alarm.

Operation steps

Start your cooler in morning hours and in working hours. It is important that the energy should not shut down during 48 hours.

Control unit shall start to learn working hours of the place it is in, and the operation characteristics of the cooler from the first day it operates. When the control unit can identify a stabile characteristic under operating conditions, it starts to control the cooler. This period is between 2 and 10 days.

When the learning mode is completed, control unit shall start stand-by mode after selling point is closed and after 30 minutes it shall turn off its lights. The next day, 3 hours before the opening of the shop, it shall pass to normal operating condition in order to keep the refreshments inside ready.

Important note:

Control unit shall compare the product using characteristic that is recorded and taken as reference with variable using characteristic continuously. In direction of periodic changes as seasonal changes and change of opening and closing hours of the shop, it shall learn and modify the program according to new conditions and control the cooler continuously.

Absolutely do not close the front part of the motion sensor otherwise cooler shall not sense the using frequency of the cooler.

Operation and screen information:

COMPRESSOR (compressor light): if green light is on, it shows that compressor is active.

FAN (fan light): if green light is on, it shows that inner fans are active.

On screen of the control panel, symbols stated below can appear depending on the type of the trouble that may be formed and cooling mode of the cooler.

“USE” : your cooler is ready to use

“_ _ _” : your cooler is in stand-by mode

“888” : your cooler is in protection against freezing mode

“dO” : it shows that the door is open

“dEF” : system is in defrost mode

“rSF” : there is a problem at cooling system, contact your cooler maintenance

“SLO” : cooler is shut down because the voltage is low

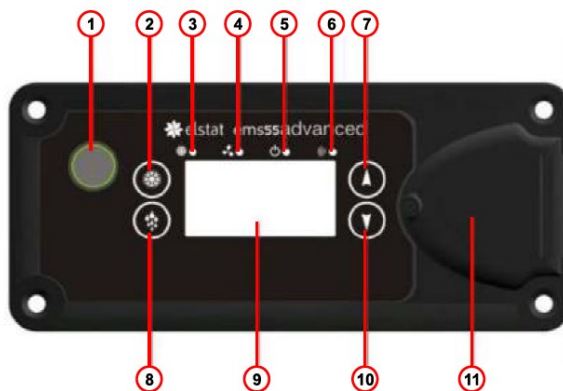
“SHI” : cooler is shut down because the voltage is high

“Pf1” : input problem, contact your cooler maintenance

ATTENTION:

The defrost button can be used to set the cooler manually on defrost mode which will last for 10 minutes.

1. PIR (motion detector)
2. Set button
3. Compressor LED
4. Fan LED
5. Perishable LED**
6. Motion LED
7. Up button*
8. Defrost button
9. Display
10. Down button*
11. Configuration port*



*These buttons are for service use only

**This LED has no function on this cooler

8.2. FOR CAREL ECOBOX AND CAREL ENERGY SAVING CONTROLLED MODELS



Control unit flashes for a few seconds in order to check if all connections are made correctly when the cooler is plugged in. This is normal, then the display will indicate current temperature. Set temperature has been adjusted to keep your beverages at optimum temperature, please do not attempt to change the settings.



CAREL ECOBOX



CAREL ENERGY SAVING TYPE 1



CAREL ENERGY SAVING TYPE 2



LIGHT: pushing at least 5 seconds the keypad, the light status will be toggled. Pushing the keypad, and before than the light status will be toggle, the display will show "On" or "OFF" in order to warn how the light status is going to change.



DAY/NIGHT MODE: the thermostat changes its mode automatically. If the door is continuously closed for more than 4 hours, the thermostat mode will be night and the lights of the cooler will be off. Lights can be on/off pushing the light button. If the door is opened at the night mode, the mode will be day. At the night mode your cooler consumes less energy. If you want to change the mode to the night you must push the day/night button. After 60 seconds from the pushing the mode will be night.



ECO MODE: pushing the keypad at least 3 seconds the ECO mode will toggle (if ECO mode is running then it will end, if ECO mode is waiting then it will start). Pushing the keypad, before then the ECO mode will toggle, the display will show "ECO" mode will toggle, the display will show "ECO" (Economy) or "nor" (normal) in order to warn how the functioning mode is going to change. If the thermostat is at the ECO mode, the cooler will consume less energy.

9. COMPLIANCE NORMS

Single door coolers described in this manual are manufactured in compliance with the TS EN ISO 23953-1, TS EN ISO 23953-2, TS EN 60335-2-89, IEC 60335-2-89, 2006/95/EC, 2004/108/EC.

1. INLEIDING

Deze bedieningshandleiding is ontworpen om het gebruik van uw enkele deurkoeler met maximale efficiëntie door de jaren heen te vergemakkelijken. In alle productieprocessen worden "milieuvriendelijke" technologieën gebruikt, evenals materialen en koelmiddelen die niet schadelijk zijn voor de natuur. **Lees deze handleiding aandachtig door voordat u uw koeler in gebruik neemt om gebruikersfouten te voorkomen en maximale efficiëntie te garanderen van dit product dat is vervaardigd om u door de jaren heen van dienst te zijn.**

Controleer de koeler onmiddellijk bij aflevering op eventuele schade. Neem in geval van schade contact op met uw erkende dealer binnen 24 uur.

Opgelet: het duurt minimaal 2 uur na elk transport voordat u uw koeler mag gebruiken. Als de koeler in een omgeving is gebleven waar de temperatuur gedurende een lange periode lager was dan 0 ° C, moet u rekening houden met de temperatuur van de compressor boven + 5 ° C voordat u de koeler opnieuw in gebruik neemt.

2. VOORZORGSMATREGELEN EN VEILIGHEIDSINSTRUCTIES VÓÓR DE EERSTE INBEDRIJFSTELLING

Je koeler moet zeker in een geaard stopcontact worden gestoken.

Controleer voordat u de koeler in gebruik neemt of het stopcontact door bevoegd servicepersoneel of door een gekwalificeerde elektricien is gecontroleerd op juiste aarding en nominale spanning en frequentie. Als het netsnoer beschadigd is, moet het worden vervangen door de fabrikant, of door een erkende servicedienst of een vergelijkbaar gekwalificeerd persoon om gevaar te voorkomen.

Gebruik geen meervoudige contactdoos en verlengkabel.

De hoofdtoevoeding waarop de koeler is aangesloten, moet een lekstroomrelais hebben.

De nominale spannings- en frequentievereisten voor de carrosserie staan op het typeplaatje.

Voer nooit reparaties uit of voer geen onderhoud uit terwijl de koeler op het stopcontact is aangesloten.

Plaats de koeler niet op een plaats dicht bij een bron van sterke hitte of blootgesteld aan direct zonlicht. Onthoud altijd dat UV-lampen de producten in de glazen deurkoeler aantasten. Het apparaat kan worden gebruikt bij een omgevingstemperatuur van maximaal 32°C.

Tenzij anders vermeld, plaats uw koeler niet op open plekken waar water kan lekken.

Niet wassen met water onder druk of een slang gebruiken voor het schoonmaken van het product en de omgeving, gebruik een natte doek. Anders kan het water dat in de elektrische componenten van het product kan binnendringen elektrische schokken en brandgevaar veroorzaken.

Plaats uw producten niet in zeer vochtige plaatsen en / of plaatsen die onderhevig zijn aan corrosie.

Plaats de koeler op een vlakke ondergrond. Plaats de bodem op de vloer en zorg ervoor dat deze loodrecht is met behulp van een waterpas. Als de koeler in een bepaalde richting lijkt te kantelen, pas dan de hoogte van het betreffende voetje aan totdat het waterpas staat. Verplaats dan de koeler naar de plaats waar deze zal worden gebruikt.

Verplaats de koeler niet en verplaats de koeler niet op de wieltjes terwijl deze met product is geladen. Als de koeler leeg is, zet dan geen druk op de koeler of de kabel wanneer u die verplaatst, om schade aan de wieltjes te voorkomen. Nooit de koeler duwen wanneer de stoep ongelijk is, een helling heeft of er trappen in de buurt zijn.

Alle componenten die warmte produceren, bevinden zich aan de onderkant van uw koeler.

Een goede luchtcirculatie op die plaatsen is erg belangrijk om de prestaties te garanderen. Houd daarom bij het plaatsen van de koeler minimaal 10 cm ruimte vrij vanaf de zijkanten.

Laat kinderen niet in de koeler kruipen en spelen.

Bewaar de koeler en de plastic zakken voor de accessoires en de handleiding op een veilige plaats buiten het bereik van kinderen.

Plaats om veiligheidsredenen geen explosieven en ontvlambare stoffen in de koeler.

Laat de bovenkant van de koeler vrij, zodat de warme lucht vanaf de bodem goed kan circuleren.

Dit apparaat kan worden gebruikt door kinderen van 8 jaar en ouder en personen met verminderde fysieke, sensorische of mentale capaciteiten of gebrek aan ervaring en kennis als zij op een veilige manier toezicht hebben gekregen of instructies hebben gekregen over het gebruik van het apparaat en de gevaren die ermee gepaard gaan begrijpen. Kinderen mogen niet met het apparaat spelen. Reiniging en gebruikersonderhoud mag niet door kinderen worden gedaan zonder toezicht.

GELIEVE HET SOORT KOELGAS TE CONTROLEREN OP HET TYPEPLAATJE: R134A, R600A, R290 OR R744 (CO2)

Alleen voor de modellen met R600A of R290 gas:

R600A / R290-gas wordt in sommige modellen gebruikt. R600A/R290 is een milieuvriendelijk gas en wordt gebruikt in apparaten met koelingstechnologie. Dit gas is alleen onder bepaalde omstandigheden brandbaar. U moet de volgende regels opvolgen als u normale bedrijfsomstandigheden wilt krijgen.

WAARSCHUWING: houd ventilatieopeningen in de behuizing van het apparaat of in de ingebouwde structuur vrij van obstructies.

WAARSCHUWING: gebruik geen mechanische apparaten of andere middelen om het ontdooiproces te versnellen.

WAARSCHUWING: het koelcircuit niet beschadigen.

WAARSCHUWING: gebruik geen elektrische apparaten in de opbergvakken van het apparaat.

WAARSCHUWING: om ontvlambaarheidsgevaaren te verminderen, mag de installatie van dit apparaat alleen door een geschikt gekwalificeerd persoon worden uitgevoerd.

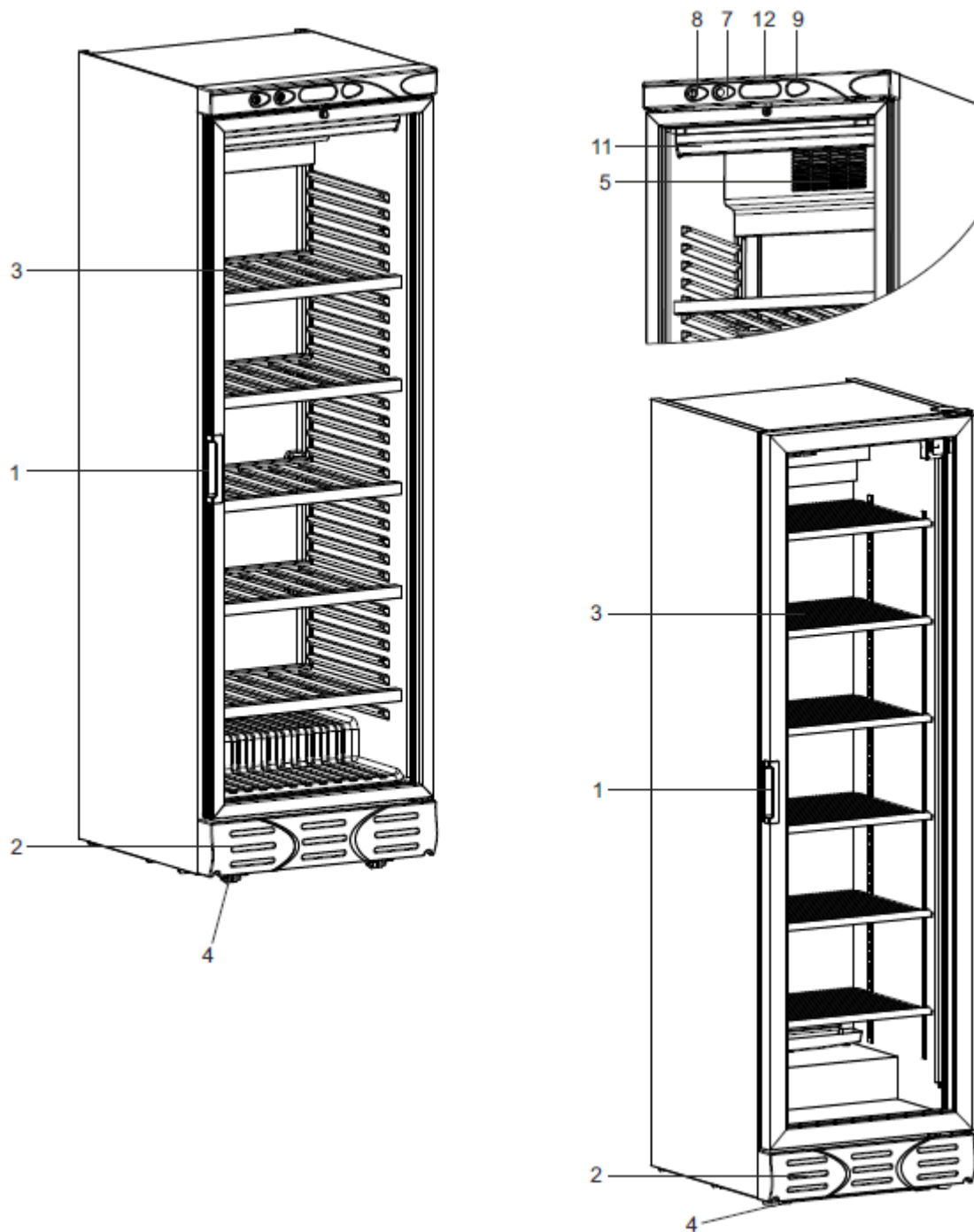
Knoei niet met het apparaat voor onderhoud, reparatie of enige andere reden dan de toegestane service.

Sluit het apparaat af tegen bevriezing of ijsvorming en laat het ontdooien.

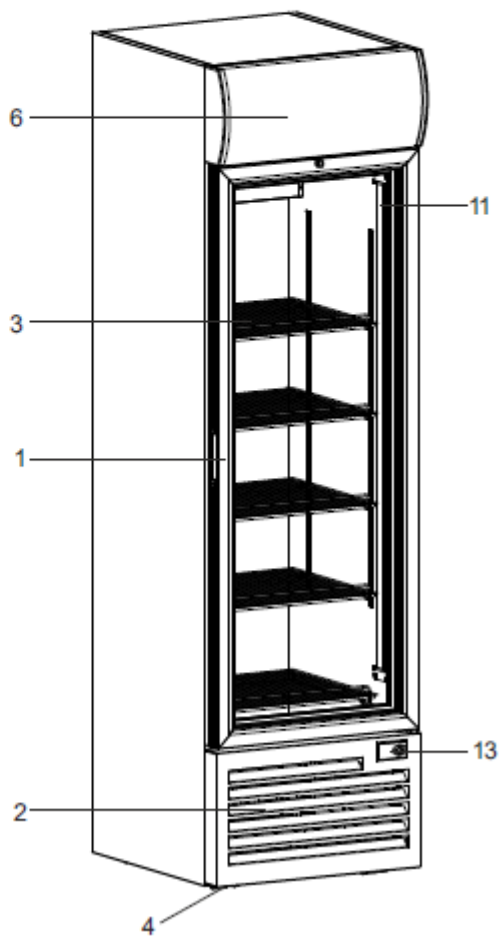
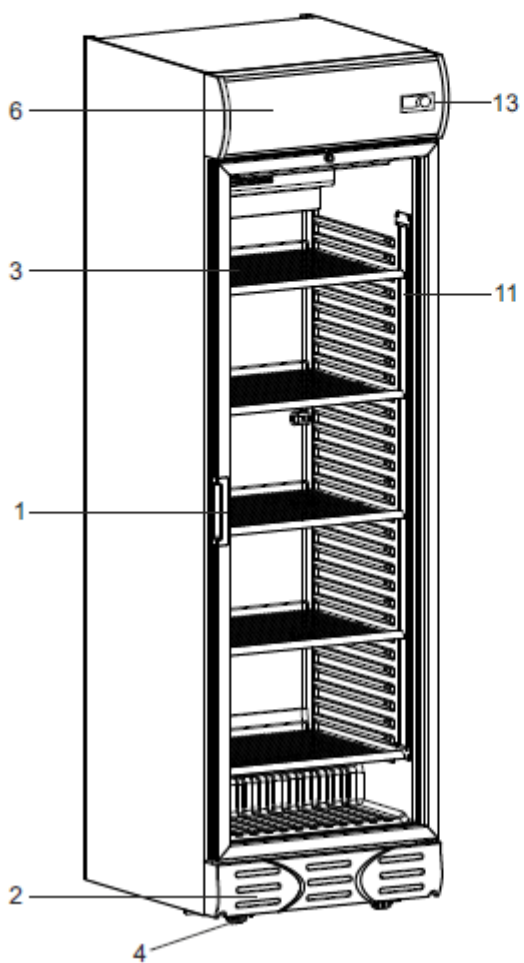
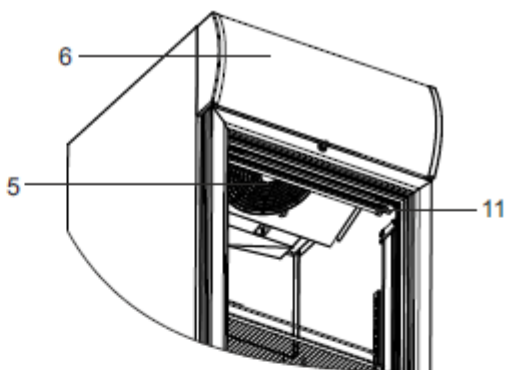
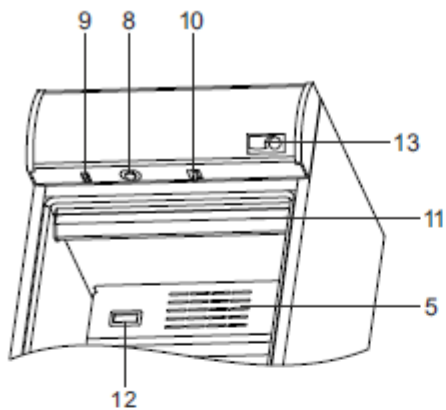
Kies originele onderdelen voor alle onderdelen die nodig zijn voor vervanging op het product.

3. TECHNISCHE KENMERKEN

- | | |
|------------------------|---|
| 1. Deur | 8. Regelknop thermostaat |
| 2. Stroomdoos | 9. Verlichtingsschakelaar |
| 3. Plank | 10. Ventilatorschakelaar |
| 4. Verstelbare hoogte | 11. Binnenverlichting |
| 5. Interieurventilator | 12. Thermometer |
| 6. Luifel | 13. Elektronische thermostaat (optioneel) |
| 7. Groen licht | |



OPMERKING: De hierboven weergegeven afbeeldingen zijn optioneel. Ze kunnen variëren afhankelijk van modellen en versies.



OPMERKING: De hierboven weergegeven afbeeldingen zijn optioneel. Ze kunnen variëren afhankelijk van modellen en versies.

Technische kenmerken	Bedrijfstemperatuur °C	Interne afmetingen WxDxH (mm)	Externe afmetingen WxDxH (mm)	Max. belading roosters (netto) Kg
7464.0015	+4/+10	430x456x774	500x580x865	31
7464.0085	+4/+10	490x447x1570	595x650x2000	41
7464.0088	+4/+10	490x447x1570	595x650x2000	41
7464.0090	+4/+10	490x447x1570	595x650x2000	41
7464.0093	+4/+10	490x447x1570	595x650x2000	41
7464.0094	+4/+10	490x447x1570	595x650x1850	41
7464.0095	+4/+10	490x447x1570	595x650x1850	41
7464.0200	+4/+10	450x497x2024	374x392x1408	23
7464.0205	+4/+10	450x497x1881	374x388x1441	23
7464.0210	+4/+10	374x551x1584	450x656x2024	23

Waarden die hierboven zijn gespecificeerd, worden gegeven volgens standaardwaarden en kunnen variëren op basis van optionele functies.

Het typeplaatje bevindt zich in het koelgedeelte van de kast.

Zie de achterkant van de gids voor het voorbeeld van het typeplaatje.

Klimaatklassen			
Klasse	Temperatuur °C	Relatieve vochtigheid %	Dauwpunt °C
0	20	50	9,3
1	16	80	12,6
2	22	65	15,2
3	25	60	16,7
4	30	55	20
5	40	40	23,9
6	27	70	21,1
7	35	75	30
8	24	55	14,4

4. SAMENSTELLING ENKELE DEURKOELER / DE EERSTE INBEDRIJFSTELLING

Luchtcirculatie aan de achterkant is vereist voor een efficiënte werking van de koelers. Beweeg de koeler naar achteren om hem op de juiste manier te plaatsen. Laat minimaal 10 cm ruimte vrij vanaf de zijkanten en de achterkant om een goede luchtcirculatie te garanderen. Laat de bovenkant van de koeler vrij. Je koeler kan nu worden aangesloten.

5. GEBRUIK

Blokkeer de luchtcirculatie in de koeler niet wanneer u de koeler met producten laadt. Anders kunnen ongewenste en uitgebreide temperatuurverschillen optreden tussen de bovenste en onderste compartimenten van de koeler.

Bedieningspaneel:

Het bedieningspaneel bestaat uit de volgende componenten, afhankelijk van het model:

Groen licht (optioneel):

Hij brandt zolang de koeler op de elektrische voeding is aangesloten.

Regelknop thermostaat (optioneel):

Het wordt gebruikt om de interne temperatuur van uw koeler te regelen.

De thermostaatinstelling is de meest optimale aanpassing in producten met mechanische thermostaat in de fabriekinstellingen. Het wordt aanbevolen om niet te worden vervangen zolang het geen last heeft van de interne producttemperatuur. Als u denkt dat het product niet in het gewenste temperatuurbereik functioneert, kunt u de thermostaat aanpassen.

De instelling van de thermostaat moet worden gedaan op basis van de kenmerken van de producten die moeten worden bewaard. De temperatuur kan worden ingesteld door de zwarte thermostaatknop op het bedieningspaneel te draaien met behulp van een munt of iets dergelijks. Door de knop naar rechts te draaien, verlaagt u de interne temperatuur, terwijl het naar links draaien de interne temperatuur verhoogt. Als u de knop naar links draait, stopt de compressor, die op zijn beurt het koeling proces stopt, hoewel de elektrische stroom naar de koeler niet wordt afgesneden.

Schakelaar interne ventilator (optioneel):

Vroeger zorgde het voor luchtcirculatie in de koeler.

Schakelaar interne verlichting (optioneel):

Het wordt gebruikt om het interne licht van uw koeler aan of uit te zetten. Als de gloeilamp niet meer werkt, haal dan altijd de stekker van de koeler uit het stopcontact voordat u hem vervangt. Trek de lampafdekking omhoog. Draai de elektrische lamp 90 graden, haal hem eraf en vervang hem door een nieuwe. Vervang altijd de starter wanneer u de elektrische lamp vervangt.

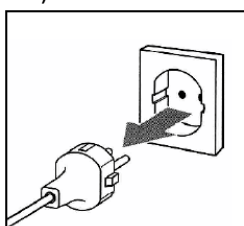
Demontage van het verlichte advertentiepaneel

Als het ooit nodig is het verlichte advertentiepaneel te demonteren, doe dan het volgende:

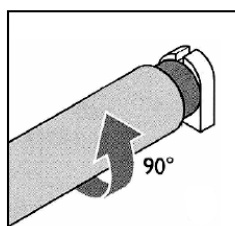
Het LINKERdeksel is aan de behuizing geschroefd en het is niet mogelijk om het van de buitenkant te demonteren. Probeer het daarom niet te verwijderen. Advertentiepaneel is bevestigd aan het RECHTERdeksel. Houd het rechterdeksel aan de boven- en onderkant vast en trek naar RECHTS. Het rechterdeksel schuift op de bovenste en onderste rails waardoor het compartiment kan worden geopend. Zodra het compartiment is geopend, voert u het benodigde uit (vervang de TL-verlichting) en sluit het compartiment door het deksel in tegenovergestelde richting te bewegen.

De TL-verlichting vervangen: (als uw product een TL-lamp heeft)

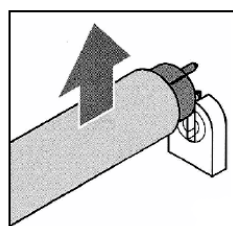
Trek uw koeler altijd uit het stopcontact, als u de lamp demonteert. Na het demonteren van de lampafdekking in de koeler, verwijder de lamp en vervang hem altijd met een lamp met dezelfde kenmerken (afmeting, kracht, etc.)



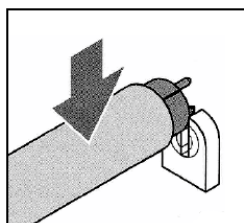
Unplug your visi-cooler.



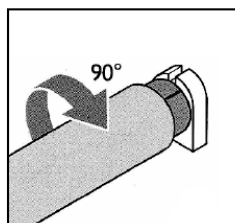
Rotate the lamp 90°.



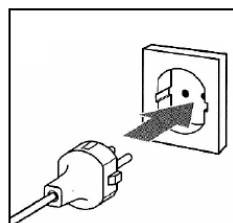
Remove the destroyed fluorescent lamp.



Place the new fluorescent lamp.



Rotate it 90°.



Switch on your visi-cooler again.

WAARSCHUWING:

Je koeler kan een TL-lamp hebben. Als de TL-lamp niet brandt of begint te knipperen, dient u de technische dienst te bellen om deze binnen korte tijd te repareren. Blijf alsjeblieft niet je koeler gebruiken met een niet-werkend verlichtingssysteem.



Uw koeler kan een LED verlichting hebben. Als u problemen ondervindt met LED verlichting, probeer het dan nooit zelf te repareren. Informeer een geautoriseerde service.

De roosters monteren:

Voor modellen met optie 1:

Er worden roosters in de koeler geleverd.

Plaats eerst de bovenste roosters in de bovenste haken. Plaats de andere roosters overeenkomstig met dezelfde methode. Het koelproces vindt plaats via de interne luchtcirculatie. Plaats de roosters daarom niet te dicht bij elkaar.

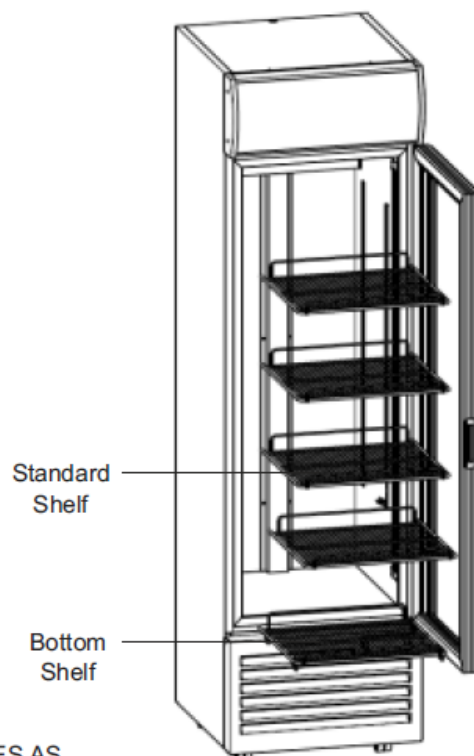
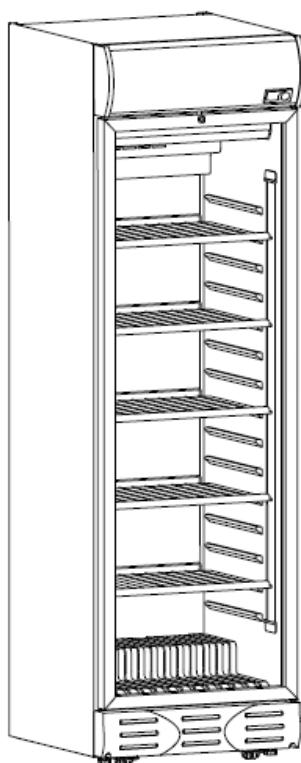
Voor modellen met optie 2:

Er worden roosters en clips in de koeler geleverd. Ga als volgt te werk om de roosters te monteren:

- Pilasters zijn genummerd, zodat de hoogte tussen de roosters kan worden aangepast aan de productvereisten. Plaats de clips in de overeenkomstige inkepingen op de pilasters. Voor een gemakkelijke plaatsing gebruikt u een tang om de steunuiteinden vast te pakken.
- Leg de roosters op de koelvloer neer. (Zorg ervoor dat de rechthoekige (90°) kant zich aan de achterkant bevindt).
- Houd de bovenste plank vast; kantel één kant en plaats deze op de haken op de overeenkomstige steunen.
- Doe hetzelfde voor de overige roosters en monteer ze allemaal.
- Plaats, indien aanwezig, de onderste roosters op de bodem van de koeler.

WAARSCHUWING:

Plaats nooit iets op de basis van uw koeler. Gebruik altijd het onderste rooster.

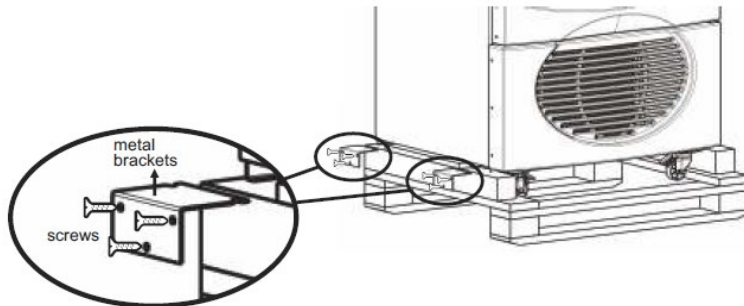


PLEASE INSERT SHELVES AS SHOWN, KEEPING PRICE LOGO STICKER STRIP IN FRONT.

De pallet verwijderen en de poten plaatsen Voor modellen met metalen plaatconnectoren

Uw kast is vóór verzending met 4 metalen beugels op een houten pallet bevestigd. Volg de onderstaande instructies voordat u het op zijn plaats zet.

Maak los door de 3 schroeven los te draaien en verwijder de metalen beugels die vast zitten aan de kast en aan de voor- en achterkant van de pallet met een stanleymes. Leun de kast naar achteren vanaf de achterkant en verwijder de pallet onder kast.



Voor modellen zonder metalen plaatconnectoren

Uw Single Door cooler wordt geleverd op een houten pallet, die op vier hoeken aan de opbouw is bevestigd. Voer het volgende uit om de pallet los te maken voordat de opbouw op de uiteindelijke gebruikslocatie wordt geplaatst:

- Knip de 4 kabelbinders waarmee de pallet aan het koelchassis is bevestigd door met behulp van handgereedschap
- Maak de pallet voorzichtig los van de carrosseriebasis. Zoek de voetjes van het meegeleverde interieur van de koeler. Steek ze in de schroefbussen aan de onderkant van de koeler en voer de hoogteverstelling uit.

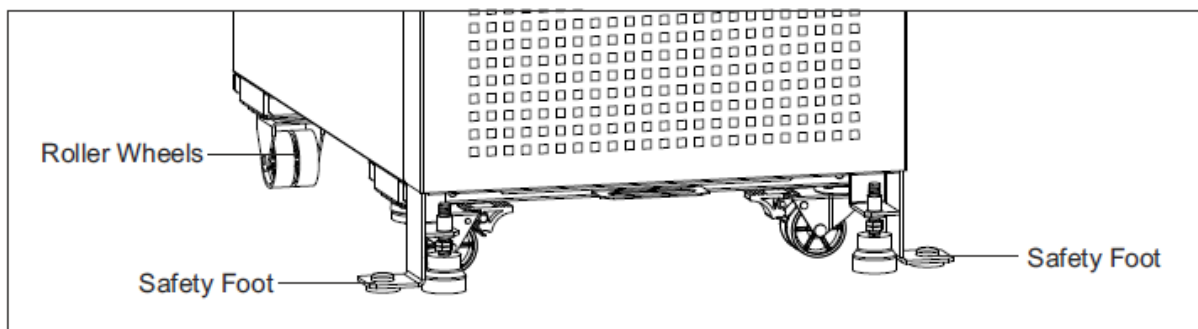
LET OP: De verstelbare poten aan de voorzijde van de kast mogen nooit tegelijkertijd worden geopend. Afhankelijk van de onbalans van het product mag slechts één van de verstelbare poten aan de rechter- of linkerkant geopend worden en moet het product op deze manier in balans worden gebracht.

VEILIGHEIDSBLAD:

Als u een product op wielen heeft, bevinden zich 2 veiligheidsvoetjes aan de voorkant van uw product.

AANDACHT!

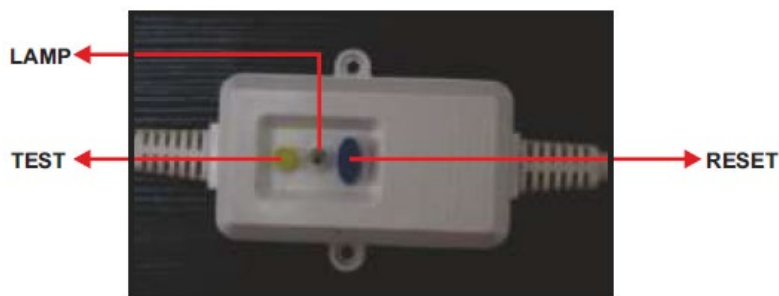
Tenzij ze beschadigd zijn en vervangen zijn door dezelfde voeten, mag u de veiligheidsvoeten onder geen enkele omstandigheid verwijderen! Verwissel nooit de veiligheidsvoetjes terwijl de koeler draait! Verwissel de veiligheidsvoetjes door het product naar de achterkant of rechterkant van het product te kantelen. Verwissel nooit de veiligheidsvoetjes terwijl de koelbox rechtop staat.



ALLEEN BESCHIKBAAR VOOR MODELLEN MET EEN LEKSTROOMRELAIS:

Mogelijk zit er een lekstroomrelais in de voedingskabel van uw koelkast. Om te testen of het lekstroomrelais goed werkt, drukt u op de gele "TEST"-knop, weergegeven in de volgende afbeelding. Het lampje gaat uit en de stroom van uw koelkast wordt uitgeschakeld wanneer u erop drukt. U kunt de koelkast weer inschakelen door op de "RESET"-knop te drukken.

Bij eventuele lekstroom wordt de stroom van uw koelkast automatisch stopgezet. Als uw koelkast niet werkt en de lamp die op de kabel is aangesloten en die in de volgende afbeelding wordt weergegeven, niet brandt, drukt u op de "RESET"-knop. Het lampje gaat branden als uw koelkast werkt. Als uw koelkast opnieuw niet werkt, neem dan contact op met een erkende servicedienst.



ALLEEN BESCHIKBAAR VOOR MODELLEN MET EEN SPANNINGSREGULATOR:

De spanningsregelaar van uw koelkast beschermt het apparaat tegen schommelingen in de netspanning. Wanneer de netspanning buiten het toegestane bereik schommelt, schakelt de spanningsregelaar de stroomvoorziening van het apparaat uit. Zodra de netspanning weer binnen het toegestane bereik is, zal het apparaat weer werken. Maar zelfs als de netspanning direct weer binnen het toegestane bereik is, schakelt de spanningsregelaar de voeding na een vertraging van 3 minuten in, om het apparaat te beschermen tegen spanningspieken en spanningsdips.

Ontdooien:

Uw koelbox is voorzien van een automatisch ontdooisysteem, geregeld door de thermostaat. Dooiwater hoopt zich op in het kanaal onder de verdamer; Vervolgens wordt het met behulp van een slang naar de lekbak gevoerd, waar het verdampt. Maak na het ontdooien de behuizing schoon en veeg deze af, zonder dat er vocht in zit. Sluit de behuizing weer aan en laad de koeler na een uur opnieuw.

6. REINIGING, ONDERHOUD EN VERVOER

Om een hogere efficiëntie te garanderen, moet uw koeler regelmatig worden gereinigd. Gebruik nooit schoonmaakmiddelen die alcohol, schuurpoeder of krachtige oplosmiddelen bevatten. Trek altijd de stekker uit het stopcontact voordat u de koeler reinigt. Voeg twee theelepels soda (bicarbonaat) toe in 1 liter water en gebruik het mengsel om de koeler te reinigen. Reinig het buitenste gedeelte met een natte doek en veeg die vervolgens af.

Opgelet: gebruik nooit heet water, elektrische verwarming, scherpe gereedschappen of soortgelijke zaken die de koeler kunnen hinderen.

Vakantie/stoppen met gebruiken voor een tijdje:

Koppel uw koelbox niet los als u op vakantie gaat of als u het voor een korte tijd niet gebruikt. Als u op vakantie gaat of stopt met het langdurig gebruiken van de koelkast, ontkoppel die dan en ledig hem. Reinig na het ontdooien de koeler en veeg hem met een doek schoon. Laat de deur open om geur in de koeler te voorkomen.

Uw koeler vervoeren:

Voordat u de koeler verplaatst, trekt u de stekker uit het stopcontact, laat ontdooiing, veeg de binnenwanden en de bodem af met een vochtige doek, plaats de plastic blokkeringen tussen de glazen deur en de koeler en zet hem in de normale positie zoals die wordt gebruikt.

Opgelet: expansiegas (C-Pentaan) wordt gebruikt in het isolatiesysteem van de koeler. Wanneer u die weggooit, moet u zich houden aan de geldende wetten en regels van het land waarin het wordt gebruikt.

Het reinigen/onderhouden van de condensor van uw koeler moet ten minste twee keer per jaar worden uitgevoerd door een bevoegde serviceafdeling.

7. PROBLEEMOPLOSSING

Als de koeler niet werkt:

- Controleer of de koeler correct is aangesloten op het stopcontact.
- Controleer of er een stroomstoring is in het stopcontact.
- Controleer of de zekering is gesprongen.
- Controleer of er een stroomstoring is.

Als de koeler meer werkt dan gewenst:

- Controleer of de deur vaak wordt geopend of lange tijd open blijft staan.
- Controleer of de thermostaat is ingesteld om meer te koelen dan gewenst.
- Controleer of het compressorcompartiment goed geventileerd is en of dat het compressorcompartiment gereinigd moet worden.

Als de koeler niet voldoende koelt:

- Controleer de temperatuurinstelling.
- Controleer of de deur vaak wordt geopend of lange tijd open blijft staan.
- Controleer of de interne luchtcirculatie wordt onderbroken door overbelasting.
- Het reinigen / onderhouden van de condensor is mogelijk niet voltooid (zie hoofdstuk6).

Als er een geur in de koeler hangt:

- Controleer of er geurige producten open worden bewaard.
- Controleer of de binnenkant naar behoren is schoongemaakt.

Na het controleren van de bovengenoemde punten en het uitvoeren van de aanbevelingen, als uw koeler nog steeds niet naar tevredenheid functioneert, neemt u contact op met het dichtstbijzijnde erkende servicecentrum, met uw klachten en het model- en serienummer van uw koeler.

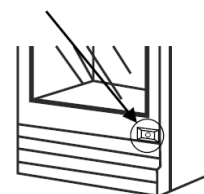
8.1. VOOR MODEL MET ELEKTRONISCH REGELSYSTEEM

Onze modellen met elektronische besturing zijn ontworpen met het doel het energieverbruik te minimaliseren en zijn daartoe uitgerust met speciale besturingssystemen. Uw product werkt niet alleen met thermostaatbediening, het is ook uitgerust met een controlesysteem met zelflerende functie.

Het is niet goed om de magnetische deurschakelaars, bewegingssensor en andere apparatuur door onbevoegde personen te laten monteren en te demonteren.

Het regelsysteem is zo ingesteld dat de koeling op 3°C wordt gehouden. Deze temperatuurwaarde is de ingestelde installatietemperatuur, zodat u de optimale efficiëntie van de kast en de ideale temperatuur kunt krijgen die wordt aanbevolen door drankproducenten.

MOTION SENSOR



Bedrijfsmodus van elektronische besturing

Het belangrijkste kenmerk van het systeem is de zelflerende module. Het kan condities van het gebruik waarnemen en wanneer het verkooppunt waarin het product is geplaatst, geopend of gesloten is, zal het de werkingseigenschappen dienovereenkomstig regelen. Deze functies worden mogelijk gemaakt door eigenschappen met sensoren te registreren zoals het aantal mensen rond de koeler, de frequentie van openen en sluiten van de deur van het apparaat, het lichtniveau van de omgeving waar de koeler zich bevindt.

Functies die kunnen worden bestuurd door het besturingssysteem

De besturingseenheid kan de lichten van de koeler aandoen wanneer de koelkast open is en de lichten uitschakelen wanneer de koelkast toe is. Deze functie zal werken na het afronden van de leerperiode van het besturingssysteem. Het licht van de koeler moet aan zijn tot het einde van de leerperiode. Probeer het niet zelf af te zetten.

De besturingseenheid kan de binnenverdamp(er) ventilator regelen. Wanneer de deur wordt geopend, worden innerlijke ventilatoren gestopt. Wanneer de apparatuur in de stand-by-modus staat, werkt de binnenventilator en stopt deze met bepaalde intervallen. Stand-by modus verwijst naar de nacht of de uren dat koeler niet wordt gebruikt.

Wanneer de deur van de unit langer dan 2 minuten open is, geeft de besturingseenheid een signaal. Om deze reden is het normaal om een signaal te hebben tijdens het laden van de dranken. Wanneer het laden is voltooid, stopt het signaal met het sluiten van de deur.

In de stand-by modus kan de besturingseenheid de werking van de compressor tot het minimum verlagen. Besturingseenheid past ontdooiperioden in bepaalde intervallen toe en dan stopt het koelsysteem volledig. Na het ontdooien wordt het systeem weer normaal. Als er een koelfout in uw koeler is, geeft de besturingseenheid een alarm.

Bedieningsstappen

Start je koeler in de ochtenduren en in werkuren. Het is belangrijk dat de stroom niet binnen 48 uur weer wordt uitgeschakeld.

De besturingseenheid moet de werktijden leren kennen van de plaats waar deze zich bevindt en de werkingskarakteristieken van de koeler vanaf de eerste dag dat deze in bedrijf is. Wanneer de besturingseenheid een stabiele karakteristiek onder bedrijfsomstandigheden kan identificeren, begint deze de koeler te regelen. Deze periode ligt tussen de 2 en 10 dagen.

Wanneer de leermodus is voltooid, zal de besturingseenheid in de stand-by modus gaan nadat het verkooppunt is gesloten en na 30 minuten moet het zijn lichten uitschakelen. De volgende dag, 3 uur vóór de opening van de winkel, zal deze overgaan naar de normale werkingsconditie om de drank koel te houden.

Belangrijke opmerking:

De besturingseenheid zal de karakteristieken die worden geregistreerd en die als referentie worden genomen vergelijken met de variabele van continu gebruik om het product in te stellen. Tijdens periodieke veranderingen als seizoenswijzigingen en verandering van openings- en sluitingstijd van de winkel, moet het programma dat leren en zich aanpassen aan de nieuwe omstandigheden en de koeler te blijven besturen.

Sluit het voorste deel van de bewegingssensor absoluut niet af, anders zal de gebruiksfrequentie van de koeler niet waargenomen worden.

Bediening en scherm informatie:

COMPRESSOR (compressorlampje): als het groene lampje brandt, geeft dit aan dat de compressor actief is.

FAN (ventilatorlicht): als het groene lampje brandt, geeft dit aan dat de interne ventilatoren actief zijn.

Op het scherm van het bedieningspaneel kunnen onderstaande symbolen verschijnen, afhankelijk van het type probleem dat kan ontstaan en de koelmodus van de koeler.

“USE” : uw koeler is klaar voor gebruik

“_ _ _” : uw koeler staat in de stand-by modus

“888” : uw koeler is beveiligd tegen bevriezen

“dO” : laat zien dat de deur open is

“dEF” : systeem bevindt zich in de ontdooimodus

“rSF” : er is een probleem bij het koelsysteem, neem contact op met uw onderhoudsdienst

“SLO” : de koeler wordt uitgeschakeld omdat de spanning laag is

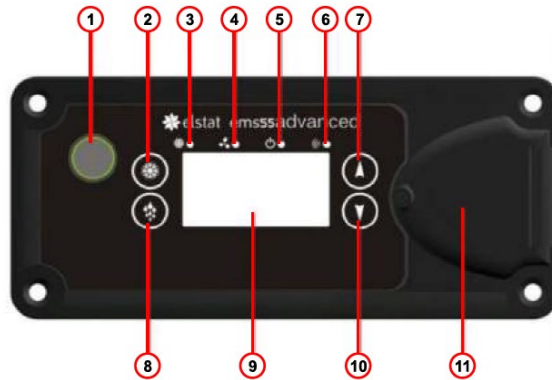
“SHI” : de koeler wordt uitgeschakeld omdat de spanning hoog is

“Pf1” : invoerprobleem, neem contact op met uw onderhoudsdienst

OPGELET:

De ontdoorknop kan worden gebruikt om de koeler handmatig in de ontdooimodus in te stellen, die 10 minuten zal duren.

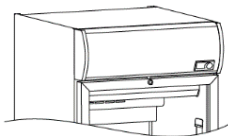
1. PIR (bewegingsmelder)
2. Instelknop
3. Compressor-LED
4. Ventilator-LED
5. Bederfelijk LED**
6. Beweging LED
7. Knop Omhoog*
8. Ontdooiknop
9. Weergave
10. Knop Omlaag*
11. Configuratiepoort*



* Deze knoppen zijn alleen voor service-gebruik

** Deze LED heeft geen functie op deze koeler

8.2. VOOR CAREL ECOBOX EN CAREL ENERGIEBESPRENDE GECONTROLEERDE MODELLEN



De bedieningsunit knippert een paar seconden om te controleren of alle verbindingen juist zijn gemaakt wanneer de koeler is aangesloten. Dit is normaal, dan geeft het display de huidige temperatuur aan. De ingestelde temperatuur is aangepast om uw dranken op de optimale temperatuur te houden, probeer de instellingen niet te wijzigen.



CAREL ECOBOX



CAREL ENERGY SAVING TYPE 1



CAREL ENERGY SAVING TYPE 2



LICHT: door ten minste 5 seconden op de toets te duwen, wordt de lichtstatus omgeschakeld. Als u op het toetsenbord drukt, wordt op het display voordat de lichtstatus verandert "Aan" of "UIT" weergegeven om te tonen hoe de lichtstatus zal veranderen.



DAG/NACHTMODUS: de thermostaat verandert automatisch van modus. Als de deur meer dan 4 uur continu wordt gesloten, is de thermostaat in nachtmodus en zijn de lampjes van de koeler uit. Lichten kunnen aan/uit gezet worden door op de lichtknop te drukken. Als de deur wordt geopend in de nachtmodus, schakelt die om naar dagmodus. In de nachtmodus verbruikt uw koeler minder energie. Als u de wilt wijzigen naar nachtmodus, moet u op de dag/nachtknop drukken. Na 60 seconden zal nachtmodus actief worden.



ECO MODUS: druk minstens 3 seconden op de toets, zal de ECO-modus wisselen (als de ECO-modus loopt, zal die eindigen, als de ECO-modus niet loopt, zal die starten). Als u op de toets drukt, verschijnt de "ECO"-modus op de display. Het scherm toont "ECO" (Economy) of "nor" (normaal) om te tonen hoe de werkingsmodus werkt veranderen. Als de thermostaat in de ECO-modus staat, verbruikt de koeler minder energie.

9. NALEVINGSNORMEN

Enkele deurkoelers die in deze handleiding worden beschreven, worden vervaardigd en gecontroleerd in overeenstemming met: TS EN ISO 23953-1, TS EN ISO 23953-2, TS EN 60335-2-89, IEC 60335-2-89, 2006/95/EC, 2004/108/EC.

1. EINFÜHRUNG

Das Durchlesen der Gebrauchsanweisung ermöglicht Ihnen, dass Sie die volle Leistungsfähigkeit Ihres Einzeltür-Display-Kühlgerätes richtig nutzen und es Ihnen jahrelang zu Diensten steht. Bei jedem Produktionsprozess Ihres Gerätes wurden „umweltfreundliche“ Technologien benutzt und nicht lebensschädliches Material und Gase bevorzugt.

Bitte lesen Sie diese Gebrauchsanweisung um die volle Leistungsfähigkeit Ihres Gerätes zu nutzen und mögliche Anwendungsfehler zu vermeiden, sorgfältig und vollständig durch. Kontrollieren Sie das Gerät unmittelbar nach Erhalt auf Schäden. Sollte ein Schaden eingetreten sein, müssen Sie sich innerhalb von 24 Stunden an Ihren Händler wenden.

Achtung! Ihr Gerät muss mindestens nach 2 Stunden nach irgendeinem Transport in Betrieb genommen werden. Falls das Gerät lange Zeit unter 0°C gelagert ist, darf dieses nicht eher in Betrieb genommen werden, bis der Kompressor eine Temperatur von +5°C erreicht hat.

2. SICHERHEIT UND MASSNAHMEN VOR DER ERSTEN INBETRIEBNAHME

Ihr Einzeltür-Display-Gerät muss unbedingt an eine geerdeten Steckdose angeschlossen sein.

Vor der Inbetriebnahme lassen Sie von der Kundenservice oder qualifizierten Fachleute die Erdung und die Netzspannung kontrollieren. Falls das Speisekabel beschädigt ist, muss es durch den Hersteller oder sein autorisierter Service oder ähnlich qualifizierte Person ersetzt werden, um jede mögliche Gefahr zu vermeiden.

Verwenden Sie keine Verlängerungskabel und Dreifachstecker.

Der Netzanschluss an das der Display-Kühlgerät angeschlossen werden soll muss ein Kriechstrom-Relais haben.

Nehmen Sie niemals eine Reparatur in das Gerät vor, solange sich der Stecker noch in der Steckdose befindet.

Ihr Einzeltür-Display-Kühlgerät sollte nicht in der Nähe von Wärmequellen aufgestellt werden. Vermeiden Sie direkte Sonnenbestrahlung. Vergessen Sie nicht, dass die UV-Strahlen, die Getränke in Display-Kühlgerät, beeinträchtigen. **Das Gerät kann bei einer Umgebungstemperatur von Maximum 32°C betrieben werden.**

Falls nicht anders angegeben, stellen Sie Ihren Kühler nicht auf offenen Stellen, wo Wasser eindringen kann.

Während der Reinigung des Produkts und seiner Umgebung, benutzen Sie nicht Druckwasser oder Schlauch, wischen Sie mit einem feuchten Tuch ab. Andernfalls kann das Wasser, das in elektrischen Komponenten des Produkts eindringt, Stromschläge und Brandgefahr verursachen.

Platzieren Sie Ihr Produkt nicht an einen Ort mit hoher Luftfeuchtigkeit und/oder Korrosion entstehen kann.

Die Wärmeerzeugende Komponente befinden sich im unteren Teil. Um volle Leistungsfähigkeit des Gerätes zu nutzen, muss das Gerät ausreichend Zuluft erhalten. Darum muss der Abstand um das Gerät herum mindestens 10cm sein.

Starten Sie den Display-Kühlgerät auf einer ebenen Fläche. Stellen Sie es auf die Oberfläche und prüfen Sie mithilfe einer Wasserwaage, dass es eben aufgestellt ist. Sollte festgestellt werden, dass der Display-Kühlgerät in eine bestimmte Richtung eine Neigung hat, stellen Sie den entsprechenden Fuß so ein, dass es eben ist. Tragen Sie dann den Display-Kühlgerät auf den Einsatzort.

Solange der Kühler mit Produkten gefüllt ist, sollte es nicht neu platziert oder auf Rädern bewegt werden. Wenn der Kühler leer ist, bitte beim Transport diesen nicht über Kabel oder Türschwellen schieben, um Schäden an den Rädern zu vermeiden. Niemals den Kühler schieben, wenn der Bodenbelag nicht eben ist, eine Neigung hat oder sich in der Nähe von Treppen befindet.

Die Kinder sollten nicht in das Gerät hineingehen und nicht der Nähe des Gerätes spielen.

Die Nylonbeutel für das Gebrauchsanweisung und Zubehör und das Schlüssel sollte nicht in die Hände von Kindern gelangen.

Explosion Stoffe und brennbare Stoffe nicht in Ihrem Kühlgerät aufbewahren.

Das Gerät vor der ersten Inbetriebnahme reinigen.

Damit die Warmluft von unten her wirkungsvoll zirkulieren kann sollte der obere Bereich des Display-Kühlgerät frei gehalten werden.

Dieses Gerät darf von Kindern ab 8 Jahren sowie Personen mit herabgesetzten physischen, sensorischen oder geistigen Fähigkeiten und Mangel an Erfahrung und Kenntnissen nur unter Aufsicht oder nach ausreichender Einweisung durch eine für ihre Sicherheit verantwortliche Person verwendet werden. Kinder dürfen nicht mit dem Gerät spielen. Kinder dürfen das Gerät nicht unbeaufsichtigt reinigen oder warten.

PRÜFEN SIE VOM TYP ETIKETTE DAS GASTYP VON DEM KÜHLER: R134a, R600a, R290 bzw. R744 (CO2)

NUR GÜLTIG FÜR MODELLE R600a ODER R290 MIT GASINHALT:

R600a/R290 Gase wurden bei manche Modellen die in diesen Bedienungsanleitung beschrieben ist verwendet. R600a/R290 sind Umweltfreundliche Gase die in der Kühlungstechnik Verwendung findet. Diese Gase sind leicht entflammbar. Halten Sie folgende Vorschriften ein um normale Betriebseigenschaften zu erhalten:

WARNUNG: Um Verstopfungen zu verhindern halten Sie die vordere Seite von allen Lüfter an der Innen oder Außenseite des Gehäuses frei.

WARNUNG: Falls Vereisung vorkommt benutzen Sie keinen Mechanischen Gerät um die Schmelzung zu beschleunigen.

WARNUNG: Beschädigen Sie nicht die Kühlungskreislauf.

WARNUNG: Benutzen Sie keine Elektrische Geräte innerhalb des Kühlers.

WARNUNG: Zur Verminderung der Entzündungsgefahr darf die Installation dieser Vorrichtung ausschließlich durch einen qualifizierten Fachmann durchgeführt werden.

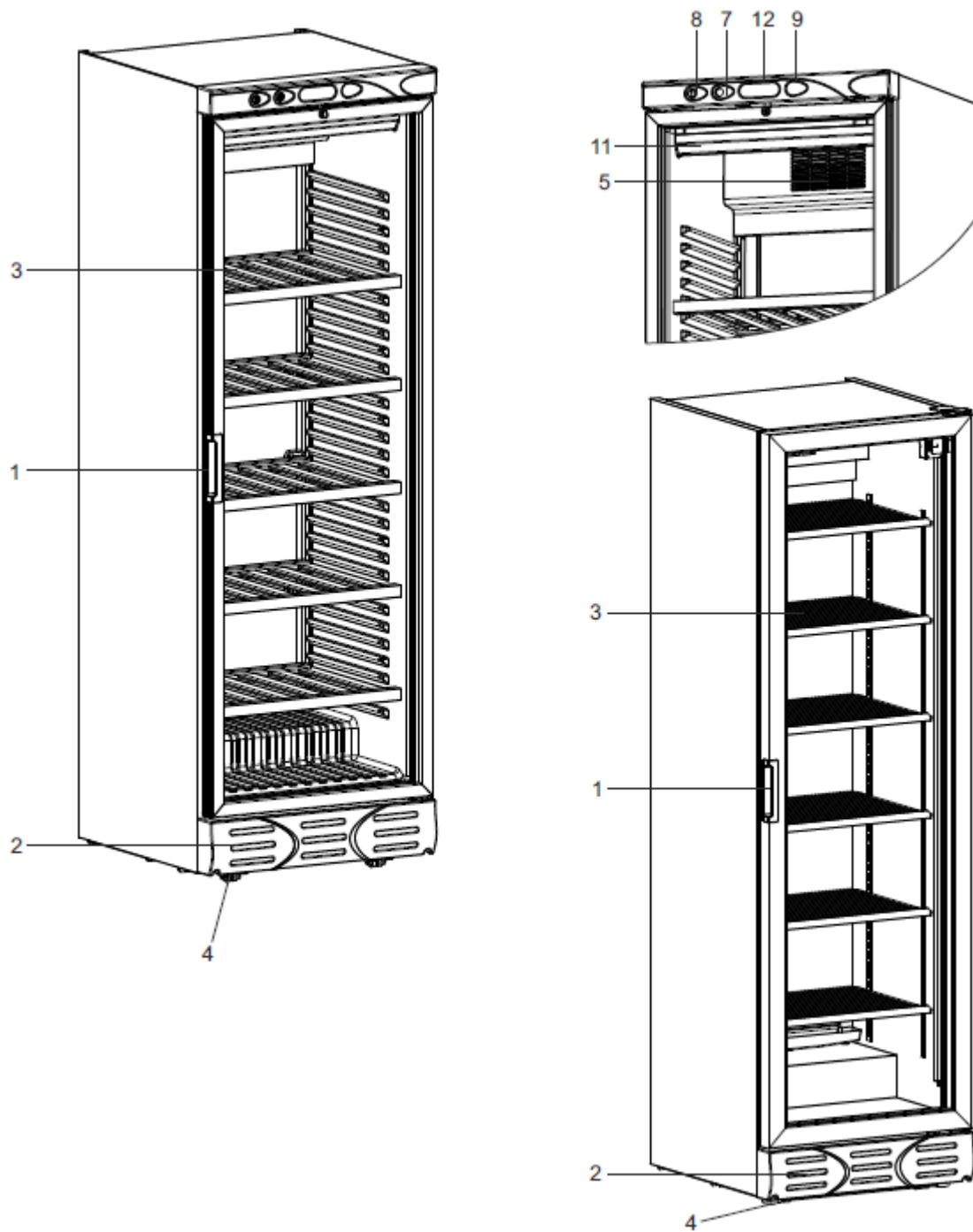
Sämtliche Reparatur, Wartung oder sonstige arbeiten dürfen nur von Autorisierten Service vorgenommen werden.

Gegen eventueller Vereisung oder Schneebildung schalten Sie die Stromversorgung ab und lassen Sie es unter natürlicher Abtaug.

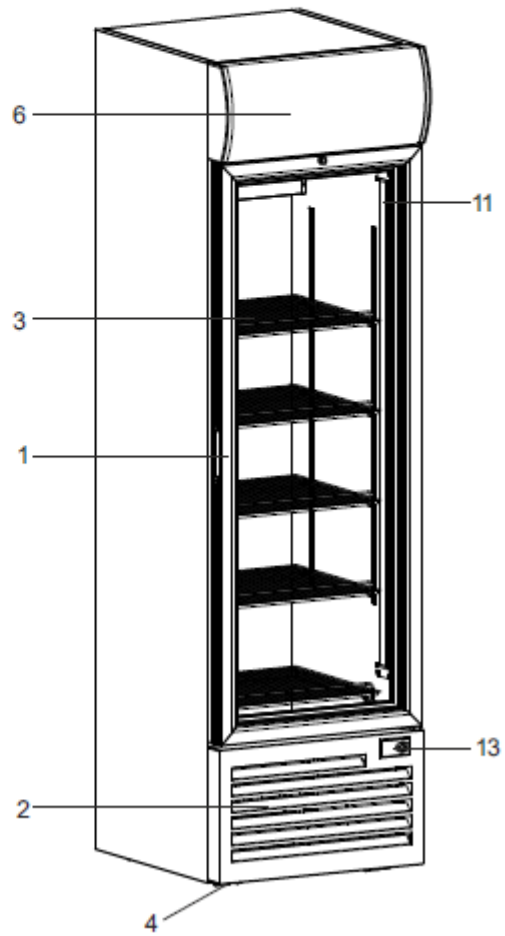
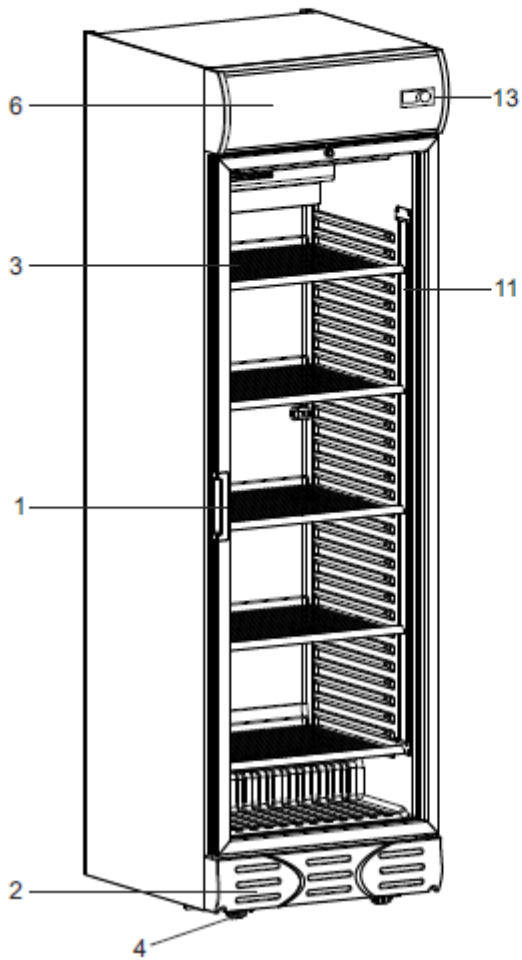
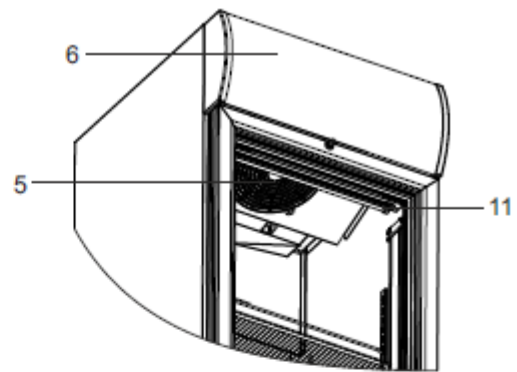
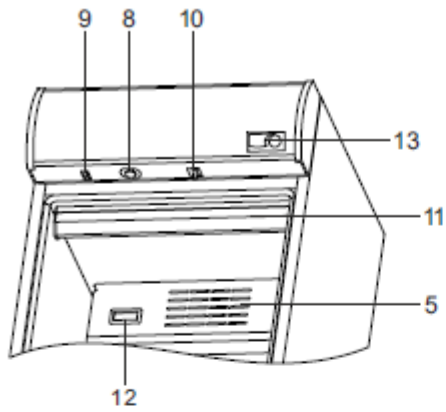
Bevorzugen Sie nur Originalkomponenten für eventuelle Teilwechsel.

3. TECHNISCHE EIGENSCHAFTEN

- | | |
|--------------------|--|
| 1. Glaste | 8. Thermostatregler |
| 2. Motorraum | 9. Lichtschalter |
| 3. Regale | 10. Belüftungsschalter |
| 4. Füße | 11. Innenbeleuchtung |
| 5. Innere Belüfter | 12. Thermometre |
| 6. Deckung | 13. Elektronischen Thermostat (optional) |
| 7. Grüne Lampe | |



HINWEIS: Die oben angegebenen Bilder sind optional. Sie können je nach Modell und Ausführung variieren.



HINWEIS: Die oben angegebenen Bilder sind optional. Sie können je nach Modell und Ausführung variieren.

Technische eigenschaften	Betriebstemperatur °C	Innenmaße WxDxH (mm)	Außenmaße WxDxH (mm)	Max. Regallast (Netto) Kg
7464.0015	+4/+10	430x456x774	500x580x865	31
7464.0085	+4/+10	490x447x1570	595x650x2000	41
7464.0088	+4/+10	490x447x1570	595x650x2000	41
7464.0090	+4/+10	490x447x1570	595x650x2000	41
7464.0093	+4/+10	490x447x1570	595x650x2000	41
7464.0094	+4/+10	490x447x1570	595x650x1850	41
7464.0095	+4/+10	490x447x1570	595x650x1850	41
7464.0200	+4/+10	450x497x2024	374x392x1408	23
7464.0205	+4/+10	450x497x1881	374x388x1441	23
7464.0210	+4/+10	374x551x1584	450x656x2024	23

Die Werte, die in den Tabellen oben angegeben sind, sind den Standard-Produkten nach angegeben und können optional auch Änderungen zeigen.

Das Namenschild befindet sich im Schrank-Kühlerbereich.

Bitte sehen Sie die letzte Seite der Anleitung für ein Muster des Namenschildes.

Klima Klasse			
Stufe	Temperatur °C	Relative Luftfeuchtigkeit %	Taupunkt °C
0	20	50	9,3
1	16	80	12,6
2	22	65	15,2
3	25	60	16,7
4	30	55	20
5	40	40	23,9
6	27	70	21,1
7	35	75	30
8	24	55	14,4

4. MONTAGE

Um volle Leistungsfähigkeit des Gerätes zu nutzen, muss das Gerät ausreichend Zuluft erhalten. Platzieren Sie Ihr Kühlgerät, indem sie ihn nach hinten schieben. Der Abstand um das Gerät herum muss mindestens 10cm sein. Dann stecken Sie den Stecker in die Steckdose.

5. BEDIENUNG

Lagern Sie die Getränke ins Gerät so, dass die Luftzirkulation nicht verhindert wird. Sonst wird es große Unterschiede zwischen unteren und oberen Teil entstehen.

Kontrollpaneel:

Der Kontrollpaneel besteht je nach Modell aus folgenden Teilen:

Grüne Lampe (freiwillig):

Die grüne Lampe wird leuchten, solange, Ihr Kühlgerät an die Stromversorgung angeschlossen ist.

Thermostat-Drehregler (freiwillig):

Damit können Sie die Temperatur Ihres Kühlgerätes einstellen.

Bei den mechanischen Produkten mit Wärmeregler ist die Wärmeregler-Fabrikeinstellung die optimale Einstellung für das Produkt. Solange das Innere des Produktes von der Wärme nicht beeinflusst wird, wird nicht vorgeschlagen diese Einstellungen zu ändern. Wenn Sie denken, dass das Produkt nicht in den gewünschten Wärmeabstand ist, können Sie Wärmeregler Einstellung vornehmen.

Der Thermostat muss gemäß Eigenschaften der bewahrten Mittel und Umgebungsbedingungen eingestellt werden. Sie können die Temperatur mit Hilfe einer Schraubenzieher oder Münze auf dem schwarzen Thermostat-Drehregler, der sich auf den Kontrollpaneel befindet, einstellen. Durch Drehen im Uhrzeigersinn (höherer Wert) erreichen Sie eine kältere Temperatur, wogegen durch Drehen gegen den Uhrzeigersinn (niedrigere Wert) eine wärmere Temperatur gewählt wird. Wenn Sie vollständig gegen den Uhrzeigersinn drehen, stoppt der Kompressor und die Kühlung ist unterbrochen, aber die Stromzufuhr zum Gerät besteht jedoch weiterhin.

Innere-Belüfter Schalter (freiwillig):

Wird für die Regelung der Luftzirkulation im Kühler benutzt.

Innere Beleuchtungsschalter (freiwillig):

Wird bei der Ein- und Ausschaltung der inneren Beleuchtung verwendet. Falls Sie die Lampe wechseln möchten, müssen Sie unbedingt den Stecker aus der Steckdose ziehen. Drehen Sie die Lampe 90 Grad. Setzen Sie neue Lampe. Jedermal muss auch der Starter gewechselt werden.

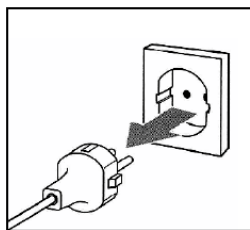
Demontage der Werbungsschild:

Falls der oberen Werbungsschild demontiert werden soll, handeln sie wie folgt:

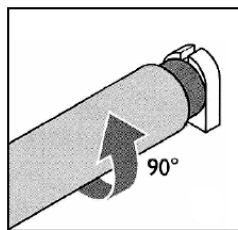
Der LINKE Deckel, der oberen Werbungsschild ist auf dem Körper geschraubt und kann vom Außen nicht abgeschraubt werden. Deswegen versuchen Sie nicht, diesen Deckel abzunehmen. Der Werbungsschild ist auf den RECHTEN Deckel beklebt; und als dieser Deckel gezogen (durch anfassen von oberen und unteren Teil) wird, wird es mit dem Werbungsschild in unteren und oberen Profilkänen gleiten und ein Raum aufgehen; somit können Sie die nötige Arbeiten (Lampenwechslung usw.) verwirklichen und machen Sie diesen Raum zu, in dem Sie auf die gegenseitige Richtung schieben.

Austausch der Beleuchtung: (Wenn Ihr Gerät über eine Leuchtstofflampe)

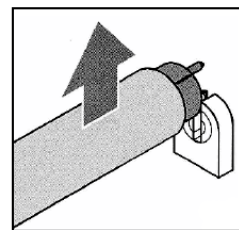
Vor Abnehmung der Lampe/LED, trennen Sie Display-Kühlgerät von der Steckdose. Nach der Entfernung der Lampenabdeckung in der Display-Kühlgerät, entfernen Sie die Lampe und immer ersetzen sie durch eine Lampe der gleichen Eigenschaften (Länge, Leistung, etc.).



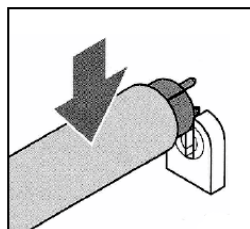
Ziehen Sie den Stecker Ihrer Visi-Kühler aus der Steckdose.



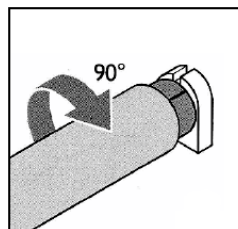
Drehen Sie die Lampe 90°.



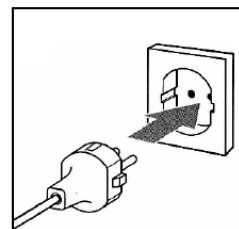
Entfernen Sie die zerstörte Leuchtstofflampe.



Setzen Sie die neue Leuchtstofflampe.



Drehen Sie 90°.



Schalten Sie Ihre Visi-Kühler wieder ein.

WARNUNG:

Ihre K hler kann eine Leuchtstofflampe besitzen. Wenn die Leuchtstofflampe nicht leuchtet oder fangt an zu blinken, rufen Sie bitte technische Service, um es in kurzer Zeit zu reparieren. Bitte nehmen Sie Ihre K hler nicht mit funktionierenden Beleuchtung in Betrieb.



Ihre K hler kann eine LED-Beleuchtung haben. Wenn Sie ein Problem mit LED- Beleuchtung haben, versuchen Sie es nie selbst zu reparieren. Bitte kontaktieren ein autorisierter Sie Kundenservice.

Montage der Gitter:

F r Modelle mit Option 1:

Im K hler sind Gitter vorhanden. Platzieren Sie zunachst die Oberk rbe in den oberen Haken. Platzieren Sie die anderen Gestelle entsprechend gleiche Methode. Der K hlvorgang erfolgt  ber eine interne Luftzirkulation. Platzieren Sie die Gitter daher nicht zu dicht nebeneinander.

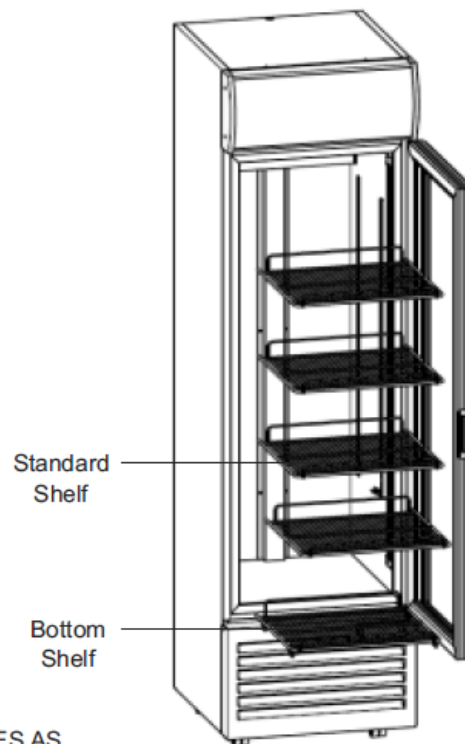
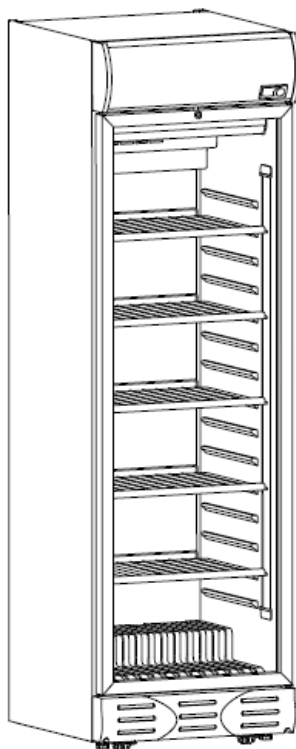
F r Modelle mit Option 2:

Im Lieferumfang des K hlers sind Gitter und Klammern enthalten. Gehen Sie zur Montage der Gitter wie folgt vor:

- Pilaster sind nummeriert, sodass die H he zwischen den Gittern an die Produktanforderungen angepasst werden kann. Platzieren Sie die Clips in den entsprechenden Aussparungen an den Pilastern. F r eine einfache Installation verwenden Sie eine Zange, um die St tzenden zu fassen.
- Stellen Sie die Racks auf den K hlboden. (Achten Sie darauf, dass die rechteckige Seite (90 ) nach hinten zeigt.)
- Halten Sie das obere Regal fest; Kippen Sie eine Seite und platzieren Sie es an den Haken der entsprechenden Halterungen.
- Machen Sie dasselbe f r die anderen Gitter und installieren Sie sie alle.
- Falls vorhanden, stellen Sie die unteren Roste auf den Boden des K hlers.

WARNUNG:

Stellen Sie niemals etwas auf den Boden Ihres K hlers. Benutzen Sie immer den unteren Korb.



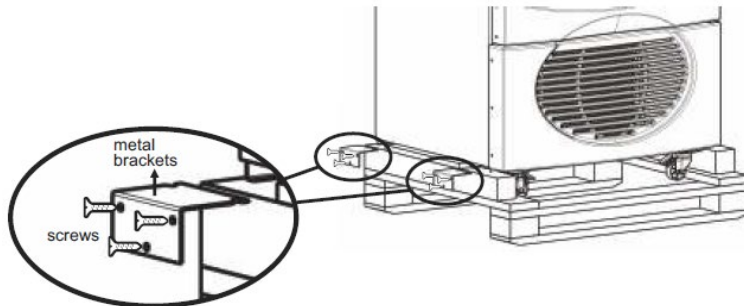
PLEASE INSERT SHELVES AS SHOWN, KEEPING PRICE LOGO STICKER STRIP IN FRONT.

Demontage der Holzpalette:

Für Modelle mit Metallplattenanschlüssen

Ihr Schrank wird vor dem Versand mit 4 Metallklammern auf einer Holzpalette befestigt. Befolgen Sie die nachstehenden Anweisungen, bevor Sie es anbringen.

Lösen Sie die 3 Schrauben und entfernen Sie die am Schrank sowie an der Vorder- und Rückseite der Palette befestigten Metallklammern mit einem Teppichmesser. Lehnen Sie den Schrank von hinten nach hinten und entfernen Sie die Palette unter dem Schrank.



Für Modelle ohne Metallplattenanschlüsse

Ihr Single Door-Kühler wird auf einer Holzpalette geliefert, die an vier Ecken an der Struktur befestigt wird. Gehen Sie wie folgt vor, um die Palette freizugeben, bevor Sie die Karosserie an ihrem endgültigen Verwendungsort platzieren:

- Schneiden Sie die 4 Kabelbinder, mit denen die Palette am Kühlchassis befestigt ist, mit Handwerkzeugen durch
- Lösen Sie die Palette vorsichtig vom Aufbauunterteil. Suchen Sie die Füße des mitgelieferten Kühlerinnenraums. Stecken Sie diese in die Schraubaufnahmen an der Unterseite des Kühlers und stellen Sie die Höhe ein.

BITTE BEACHTEN: Die verstellbaren Beine an der Vorderseite des Schrankes sollten niemals gleichzeitig geöffnet werden. Je nach Unwucht des Produkts sollte nur eines der verstellbaren Beine auf der rechten oder linken Seite geöffnet werden und das Produkt auf diese Weise ausbalanciert werden.

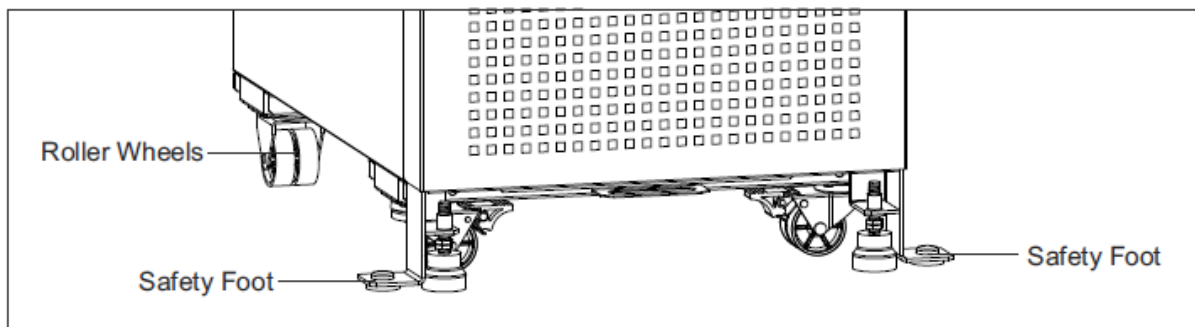
SICHERHEITSLATT:

Wenn Sie ein Produkt mit Rädern haben, befinden sich an der Vorderseite Ihres Produkts zwei Sicherheitsfüße.

AUFMERKSAMKEIT!

Entfernen Sie die Sicherheitsfüße auf keinen Fall, es sei denn, sie sind beschädigt und werden durch die gleichen Füße ersetzt! Wechseln Sie die Sicherheitsfüße niemals bei laufendem Kühler!

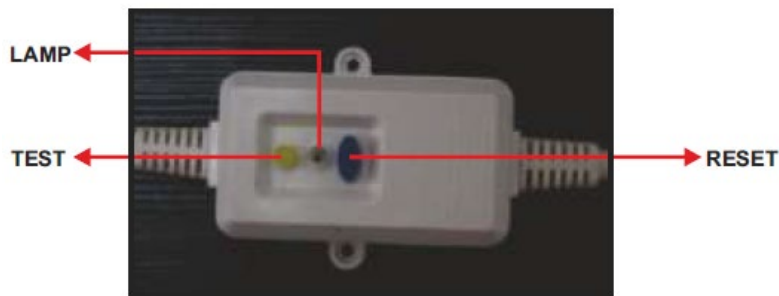
Wechseln Sie die Sicherheitsfüße, indem Sie das Produkt nach hinten oder zur rechten Seite des Produkts neigen. Wechseln Sie niemals die Sicherheitsfüße, während die Kühlbox aufrecht steht.



NUR FÜR MODELLE MIT ABLEITSTROMRELAIS VERFÜGBAR:

Möglicherweise befindet sich im Stromkabel Ihres Kühlschranks ein Leckstromrelais. Um zu testen, ob das Leckstromrelais ordnungsgemäß funktioniert, drücken Sie die gelbe „TEST“-Taste, wie in der folgenden Abbildung dargestellt. Das Licht erlischt und die Stromversorgung Ihres Kühlschranks wird ausgeschaltet, wenn Sie darauf drücken. Durch Drücken der „RESET“-Taste können Sie den Kühlschrank wieder einschalten.

Im Falle eines Leckstroms wird die Stromversorgung Ihres Kühlschranks automatisch unterbrochen. Wenn Ihr Kühlschrank nicht funktioniert und die Lampe, die an das in der folgenden Abbildung gezeigte Kabel angeschlossen ist, nicht leuchtet, drücken Sie die Taste „RESET“. Das Licht geht an, wenn Ihr Kühlschrank in Betrieb ist. Wenn Ihr Kühlschrank erneut nicht funktioniert, wenden Sie sich an ein autorisiertes Servicecenter.



NUR FÜR MODELLE MIT SPANNUNGSREGLER VERFÜGBAR:

Der Spannungsregler Ihres Kühlschranks schützt das Gerät vor Schwankungen der Netzspannung. Wenn die Netzspannung außerhalb des zulässigen Bereichs schwankt, schaltet der Spannungsregler die Stromversorgung des Geräts ab. Sobald die Netzspannung wieder im zulässigen Bereich liegt, funktioniert das Gerät wieder. Aber auch wenn die Netzspannung sofort wieder in den zulässigen Bereich zurückkehrt, schaltet der Spannungsregler nach einer Verzögerung von 3 Minuten die Stromversorgung ein, um das Gerät vor Spannungsspitzen und -einbrüchen zu schützen.

Abtauen:

Das Kühlsystem sorgt für thermostattedeuteerte Selbstabtauung. Das Tauwasser wird in einer Tropfrinne unter dem Verdampfer aufgefangen und über ein Rohr zu einer Sammelschale im Evaporator geleitet, wo es verdunstet. Den Abtauprozess können Sie beschleunigen, indem Sie eine Schale warmes Wasser (achten Sie darauf, dass es nicht kochendes Wasser ist) unter das Gerät legen. Nach der Abtauprozess reinigen Sie Ihr Gerät. Stecken Sie den Stecker wieder in die Steckdose und nach einer Stunde lagern Sie das Gerät wieder ein.

6. REINIGUNG, WARTUNG UND TRANSPORT

Damit Sie die volle Leistungsfähigkeit Ihres Gerätes richtig nutzen, reinigen Sie Ihr Gerät regelmäßig. Verwenden Sie niemals Alkohol (Spiritus), Scheuerpulver oder starke Reinigungsmittel. Ziehen Sie vor jeder Reinigung den Stecker aus der Steckdose. Reinigen Sie den Innenraum mit Backpulver (Natriumbikarbonat)-Wasser (In 1 Liter Wasser 2 Teelöffel Backpulver (Natriumbikarbonat) auflösen). Die Außenseite können Sie mit einem feuchten Tuch abwischen und mit einem trockenen Tuch abtrocknen.

ACHTUNG! Weil das Kühlgerät beschädigt werden kann nie warmes Wasser, Wärmequelle, spitze oder scharfe Gegenstände anwenden.

Urlaub/Vorübergehende Außerbetriebsetzung:

Wenn Sie kurze Zeit ins Urlaub gehen oder das Gerät kurze Zeit nicht benutzen werden, ziehen Sie den Stecker Ihres Kühlgerätes nicht aus der Steckdose. Sollte Ihr Gerät für einige Zeit nicht betrieben, wird empfohlen, die Kühlwaren aus dem Gerät herauszunehmen und nach der Abtauprozess, diesen zu reinigen und zu trocknen. Lassen Sie die Tür zum Zwecke der Lüftung angelehnt.

Transport:

Ziehen Sie den Stecker während der Transport aus der Steckdose; lassen Sie abtauen und reinigen sie die Innenwände und den Boden mit einem feuchten Tuch. Stellen Sie die Plastikverstärkungen zwischen glass-Deckel und Körper und so können Sie transportieren.

Achtung:

Weil bei der Isolation des Gerätes, Ausdehnungsgase (C-Pentane) verwendet wurde, muss im Falle der Entsorgung des Kühlgerätes auf die geltenden Bestimmungen in Ihrem Land geachtet werden. **Soweit die Zustellung durch das Produkt der Kondensator Pflege/Reinigung mindestens zweimal im Jahr, stellen Sie sicher, Sie tun.**

7. BEVOR SIE DEN KUNDENDIENST RUFEN

Sollte das Gerät nicht funktionieren:

- Überprüfen Sie ob der Stecker in der Steckdose sitzt.
- Ob Spannung in der Steckdose vorhanden ist oder die Sicherung.
- Ob Elektrik Ausfall gibt und der Stecker in der Steckdose ist.

Sollte Ihr Kühlgerät viel und lange funktionieren überprüfen Sie:

- Ob die Gerätetür sehr viel geöffnet oder lange offen gehalten wird.
- Ob der Thermostat-Drehregler auf sehr kalt eingestellt ist.
- Ob die Luftzirkulation im Kompressor raum vermieden ist oder bestäubt ist. Es muss gereinigt werden.

Sollte Ihr Kühlgerät nicht zufriedenstellend kühlen überprüfen Sie:

- Ob der Thermostat korrekt eingestellt ist.
- Ob die Gerätetür sehr viel geöffnet oder lange offen gehalten wird.
- Ob die notwendige Luftzirkulation wegen der Überfüllung schlecht ist.
- Kondensator Pflege/Reinigung erfolgt (Siehe Kapitel 7).

Sollte Ihr Kühlgerät übelriechen überprüfen Sie:

- Ob die Getränke in den offenen Behältern aufbewahrt sind.
- Ob das Gerät gut gereinigt ist.

Wenn oben genannte überprüft ist und das Gerät immer noch nicht funktioniert, fordern Sie den Kundendienst an. Geben Sie die Art des Fehlers, den Typ und die Seriennummer an.

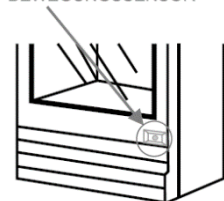
8.1. GÜLTIG NUR FÜR KÜHLER MIT ELEKTRONISCHEN PRÜFSYSTEMEN

Unsere elektronisch kontrollierten Modelle wurden mit dem Ziel, den Energieverbrauch auf ein Minimum zu senken, entwickelt und wurden zu diesem Zweck mit einem speziellen Kontrollsystem ausgestattet. Unser Produkt ist nicht nur durch ein Thermostat zu kontrollieren, sondern wurde auch mit einem Kontrollsystem, das die Besonderheit besitzt, von alleine zu lernen, ausgerüstet.

Es ist bedenklich, die magnetischen Türschlüssel der elektronischen Kontrolleinheit, den Bewegungssensor und die anderen Equipments von nicht bevollmächtigten Personen abbauen und wieder anbringen zu lassen.

Das Kontrollsystem ist so reguliert, dass die Temperatur der Getränke 3°C beträgt. Diese Temperatur ist der von der Fabrik eingestellte Wert, bei dem vom Kühlgerät optimale Leistung erhalten wird und es ist die von Getränkeherstellern empfohlene ideale Temperatur.

BEWEGUNGSSENSOR



Betriebsform des elektronischen Kontrollsystems:

Die wichtigste Besonderheit des Systems ist das Modul zum selber lernen. Es kontrolliert wann das Produkt, das am Verkaufspunkt aufgestellt ist, offen und wann es geschlossen ist, es kann die Anwendungsbedingungen wahrnehmen und kann dementsprechend die Betriebscharakteristika kontrollieren. Diese Eigenschaft des Kühlgerätes wird dadurch erreicht, dass mit Hilfe des Sensors Eigenschaften wie die Konzentration der Personen, die sich um den Kühler befinden, die Häufigkeit des Öffnens und Schließens der Tür des Gerätes, das Helligkeitsniveau im Inneren des Kühlschranks gespeichert werden.

Die Eigenschaften, die mittels des Kontrollsystems kontrolliert werden:

Die Kontrolleinheit löscht die Lichter des Kühlgerätes wenn der Verkaufspunkt geschlossen ist und hält sie zu den Arbeitszeiten eingeschaltet. Diese Besonderheit des Kontrollsystems wird nach Beendigung der Lerndauer einsetzen. Die Lichter des Kühlgerätes werden bis zur Beendigung der Lerndauer eingeschaltet bleiben. Bitte versuchen Sie nicht, die Lichter selbst auszuschalten.

Die Kontrolleinheit kontrolliert den Umluft Verdampfer im Innenraum. Wenn die Tür des Gerätes geöffnet wird stoppen die Gebläse im Innenraum. Wenn das Gerät im Stand-by-Modus ist, dann werden die Gebläse im Innenraum in bestimmten Abständen betrieben und gestoppt. Mit Stand-by-Modus sind die Nachtstunden bzw. die Stunden gemeint, in denen das Kühlgerät nicht verwendet wird.

Die Kontrolleinheit schlägt Alarm, wenn die Tür des Gerätes länger als 2 Minuten offengelassen wird. Aus diesem Grunde ist es normal, dass der Alarm einschlägt, wenn das Kühlgerät mit Getränken aufgefüllt wird. Wenn nach Einstellen der Getränke, die Türe geschlossen wird, wird der Alarm aufhören.

Die Kontrolleinheit senkt im Stand-by-Modus die Betriebsdauer des Kompressors auf die ideale Ebene. Die Kontrolleinheit wird in bestimmten Zeitabständen die Defrost-Perioden (Eis abtauen) durchführen und das Kühlsystem vollständig stoppen. Am Ende des Defrost-Verfahrens wird es wieder zum normalen Betrieb zurückkehren.

Bei Kühlstörungen des Kühlgerätes wird die Kontrolleinheit Alarm schlagen. Gleichzeitig wird bei Kondensierstörungen (Verschmutzungen/Überlastung) des Gerätes der Alarm ausgelöst and das System wird ausgeschaltet.

Anwendungsbereiche:

Schalten Sie Ihr Kühlgerät in den Morgenstunden und zu Beginn der Arbeitszeit ein. Es ist sehr wichtig, daß das Gerät nach dem Einschalten 48 Stunden lang ohne Unterbrechung mit Energie versorgt bleibt. Die Kontrolleinheit wird ab dem ersten Tag anfangen, die Arbeitszeiten des Ortes und die Anwendungscharakteristika des Kühlgerätes zu erlernen. Nachdem die Kontrolleinheit die Anwendungsbedingungen als eine stabile Charakteristika erkennen kann, wird sie anfangen, das Kühlgerät zu steuern. Dies kann 2-10 Tage dauern.

Nachdem der Lernmodus abgeschlossen ist, wird 30 Minuten nach Schließung des Geschäftes zum Stand-by-Modus übergegangen und nach nochmals 30 Minuten werden die Lichter ausgeschaltet. Damit am darauffolgenden Tag die Getränke im Innenraum des Gerätes 3 Stunden vor Eröffnung des Geschäftes in bereitem Zustand sein können, wird zum normalen Betriebsmodus übergegangen.

Wichtiger Hinweis:

Die Kontrolleinheit wird die Produktanwendungscharakteristika, die sie speichert und als Referenz akzeptiert ständig an die sich ändernden Anwendungscharakteristika anpassen. Durch das Lernen der Änderungen gemäß Jahreszeit und Öffnungs- und Schliesszeiten des Geschäftes wird das Programm gemäß den neuen Bedingungen modifiziert und die Kontrolle des Kühlgerätes wird ständig fortgesetzt. Stellen Sie keinesfalls etwas vor die Vorderjalousie des Kühlgerätes und den Bewegungssensor in der oberen rechten Ecke, diese müssen frei bleiben. Anderenfalls kann das Kühlgerät die Verwendungshäufigkeit nicht erkennen.

COMPRESSOR (Kompressor Lampe): Die aufleuchtende grüne Lampe zeigt an, dass der Kompressor in Betrieb ist.

FAN (Gebläse Lampe): Die aufleuchtende grüne Lampe zeigt an, dass die Gebläse im Inneren in Betrieb sind.

Störungen untenstehende Symbole angezeigt werden:

“USE” : Ihr Kühlgerät ist zum Gebrauch bereit

“_ _ _” : Ihr Kühlgerät ist im Stand-by-Modus

“888” : Ihr Kühlgerät ist im Modus zum Schutz gegen Eisbildung

“dO” : Zeigt an, dass die Tür offensteht

“dEF” : Das System ist im Defrost-Modus

“rSF” : Im Kühlsystem ist ein Probleme vorhanden bitt emit dem autorisierten Service Kontakt aufnehmen

“SLO” : Wegen zu geringer Spannung hat sich das Kühlgerät selbst ausgeschaltet

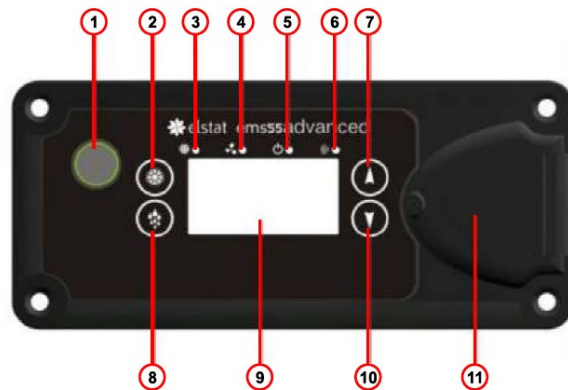
“SHI” : Wegen zu hoher Spannung hat sich das Kühlgerät selbst ausgeschaltet

“Pf1” : Es gibt ein Problem bei den Temperatursensoren. Bitte mit dem autorisierten Service Kontakt aufnehmen

WARNUNG:

Durch Abtauknopf kann der Kühler 10 Minuten lang im Abtaumodel manuell eingestellt werden.

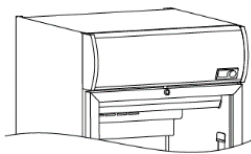
1. Bewegungssensor
2. Setknopf
3. Kompressor LED
4. Öffnungs LED
5. Getränke LED**
6. Bewegungs LED
7. Knopf-aufwärts*
8. Defrost-Knopf
9. Display
10. Knopf-abwärts*
11. Gestaltungport*



*Diese Knöpfe sind nur für Service

**Diese Leuchtdiode (LED) hat keine Funktion auf diesem Kühler

8.2. CAREL ECOBOX UND ENERGYSAVING PRODUKTE MIT THERMOSTAT



Um zu erkennen ob alle Verbindungen korrekt durchgeführt wurden blinkt das Steuergerät einige Sekunden nach Stromanschluss des Kühlers. Das ist ein normaler Ablauf, danach wird der tatsächliche Temperaturwert angezeigt. Nenntemperatur hält die Getränke in idealer Temperatur, bitte ändern Sie die Einstellung nicht.



CAREL ECOBOX



CAREL ENERGY SAVING TYPE 1



CAREL ENERGY SAVING TYPE 2



UNTER/LAMPE: Lampenzustand ändert sich bei 0,5 Sekunden Druck, falls die Lampe leuchtet wird es bei Tastendruck löschen deshalb in der Display "OFF", falls die Lampen aus sind werden Sie bei Tastendruck eingeschaltet und in der Display wird "ON" erscheinen.



DAY/NIGHT MODE: Thermostat ändert sein Modus automatisch. Falls die Tür des Kühlers 4 Stunden lang nicht geöffnet wird schaltet der Kühler in Nacht Modus und die Lampen erlöschen. Die Lampen können mit unten/Lampe taste ein und ausgeschaltet werden. Der Kühler schaltet in Tag Modus wenn die Tür in der Nacht Modus geöffnet wird. Der Kühler verbraucht weniger Energie in der Nacht Modus. Falls Sie Nacht Modus Betrieb wünschen können Sie mit einem Tastendruck die Modus ändern. Nach dem Drücken der Taste 60 Sec. Ändern Sie die Modus.



UP/ECO MODE: Falls Sie Eco Mode taste länger als 3 Sec. gedrückt halten ändert die Eco Modus. Bei Eco Tastendruck in der Display "ECO" angezeigt wird bedeutet dies Eco Modus Betrieb. Falls es in der Eco Modus befindet wird nach Tastendruck im Display „nor“ angezeigt. Das an der Display erscheinende „nor“ bedeutet das die Eco Modus zum Normalen Modus umwandelt. Sie werden an der Display die zukünftige Modus sehen. Thermostat verbraucht weniger Energie in der "ECO" Modus.

9. KOMPATIBILITÄTSSTANDARDS DER PRODUKTE

Die Kühlgeräte, die in dieser Gebrauchsanweisung angeführt sind, sind gemäß Standards:

TS EN ISO 23953-1, TS EN ISO 23953-2, TS EN 60335-2-89, IEC 60335-2-89, 2006/95/EC, 2004/108/EC.

1. INTRODUCTION

La lecture attentive de ce manuel d'instructions avant l'utilisation de votre armoire frigorifique vous permettra de tirer le maximum de rendement du produit conçu pour vous servir de longues années. A chaque étape de la fabrication de votre armoire frigorifique, ont été utilisées les technologies « **écologiques** » et ont été préférés les matériaux et les gaz qui ne nuisent pas à la nature.

Lisez tout d'abord attentivement et entièrement ce manuel d'instructions pour tirer le rendement maximum de votre armoire frigorifique et pour éviter les fautes d'usage. A l'arrivée, vérifier s'il a subi des dommages ; dans l'affirmative, en informer le vendeur dans les 24 heures au plus tard.

Attention ! Attendre au moins 2 heures avant de la remise en marche de votre armoire frigorifique après chaque déplacement. Si elle est restée longtemps à une température en dessous de 0°C, attendre que la température du compresseur monte au-dessus de +5°C.

2. OPÉRATIONS À FAIRE ET MESURES DE SÉCURITÉ À PRENDRE AVANT LA PREMIÈRE MISE EN MARCHÉ

Votre armoire frigorifique doit être absolument branchée sur une prise ayant une mise à la terre.

Avant la mise en marche, faire vérifier par un électricien qualifié ou le service agréé si la prise de terre et la tension du secteur auquel l'appareil est branché sont appropriées. Si le câble d'alimentation est détérioré, pour empêcher un accident éventuel, il doit être remplacé par le fabricant ou son service agréé ou bien par une personne compétente.

Ne pas utiliser l'adaptateur multiprises et le câble d'extension.

La source électrique du réseau à connecter réfrigérateur doit avoir un disjoncteur différentiel.

Tension et fréquence nominales de votre armoire frigorifique sont indiquées sur la plaque signalétique.

Ne jamais procéder à une réparation et un entretien quand votre armoire frigorifique est branchée.

Ne pas installer votre armoire frigorifique à proximité d'une forte source de chaleur ni dans un endroit exposé directement aux rayons du soleil. Ne pas oublier que les rayons UV du soleil influenceraient les boissons-aliments se trouvant dans les armoires frigorifiques à porte transparente. L'appareil peut fonctionner à une température ambiante de 32°C maximum.

Sauf indication contraire, ne placez pas votre réfrigérateur dans les endroits ouverts où l'eau peut pénétrer.

Pendant le nettoyage du produit et ses environs, ne le lavez pas avec un tuyau ou l'eau pressurisée, utilisez une serviette humide. Sinon, l'eau dans l'assemblage d'électrique du produit peut présenter un risque de choc électrique et d'incendie.

Votre produit à une humidité élevée et/ou ne pas le placer dans un environnement ouvert à corrosion.

Tous les éléments produisant de la chaleur de l'armoire frigorifique se trouvent dans la partie inférieure. Il est très important de créer une circulation de l'air dans cette partie pour la performance de l'armoire frigorifique. Pour cette cause, lors de l'emplacement de l'armoire frigorifique, il faut laisser un espace d'au moins de 10cm autour de l'armoire frigorifique.

Lancer réfrigérateur sur une surface plane. Positionner sur le sol et s'assurer qu'il est droit en utilisant un niveau à bulle. Si on observe que réfrigérateur tends vers une certaine direction, veuillez ajuster la hauteur de la jambe correspondante jusqu'il soit plat. Ensuite apporter réfrigérateur à la position que l'on utilisera.

Ne pas repositionner le réfrigérateur lorsqu'il est chargé avec le produit ou ne pas le transporter sur les roues. Si le réfrigérateur est vide, ne pas pousser le réfrigérateur pour le faire passer sur les câbles ou les seuils de porte afin d'éviter l'endommagement des roues. Si le sol n'est pas plât, s'il ya une pente ou des escaliers avoisinant, ne jamais pousser le réfrigérateur.

Ne pas permettre aux enfants d'entrer dans l'armoire frigorifique ni de jouer à proximité.

Garder le sac en plastique où sont mis les accessoires et la clé d'armoire frigorifique hors de portée des enfants.

Pour votre sécurité, ne jamais mettre de matières inflammables ou explosives dans votre armoire frigorifique.

Nettoyer l'intérieur de votre armoire frigorifique avant de la mettre en marche pour la première fois.

Libérer la partie supérieure de réfrigérateur pour que l'air chaud circule effectivement du dessous.

Cet appareil doit être utilisé par une personne qui est responsable de leur sécurité et par des enfants de 8 ans et dessus et par des personnes ayant des handicaps physiques, sensoriels et mentaux ou de la manque de l'expérience et connaissance en toute sécurité et en soyant sur de ses dangers. Les enfants ne devraient pas jouer avec l'appareil. Le nettoyage et l'entretien de l'utilisateur, doivent être conduits par des enfants sans surveillance.

**VOUS CONTROLEZ LE TYPE DE GAZ QUE VOTRE REFRIGERATEUR CONTIENT DE L'ETIQUETTE DE GAZ :
R290, R600a, R134a OU BIEN R744 (CO2)**

C'EST VALIDE SEULEMENT POUR LES MODELS QUI CONTIENNENT LE GAS R600A OU BIEN R290 :

Le gaz R600a/R290 gaz a été utilisé en certains de models qui ont été mentionné dans ce manuel d'instructions. Le gaz de R600a/R290 est un gaz, ami de l'environnement qui s'utilise dans la technologie de refroidissement efficace. Ce gaz peut être enflammé dans certaines conditions distinctes. Vous devez respecter les règles ci-dessous pour obtenir les conditions de travail ordinaires.

AVERTISSEMENT : Laisser libre les parties antérieures des fans qui se situent dans les parties intérieurs et extérieurs de l'armoire pour éviter le comblement.

AVERTISSEMENT : En cas de givrage, pour accélérer la durée de fusion, ne pas utiliser un appareil mécanique.

AVERTISSEMENT : Ne pas endommager le circuit de froidement.

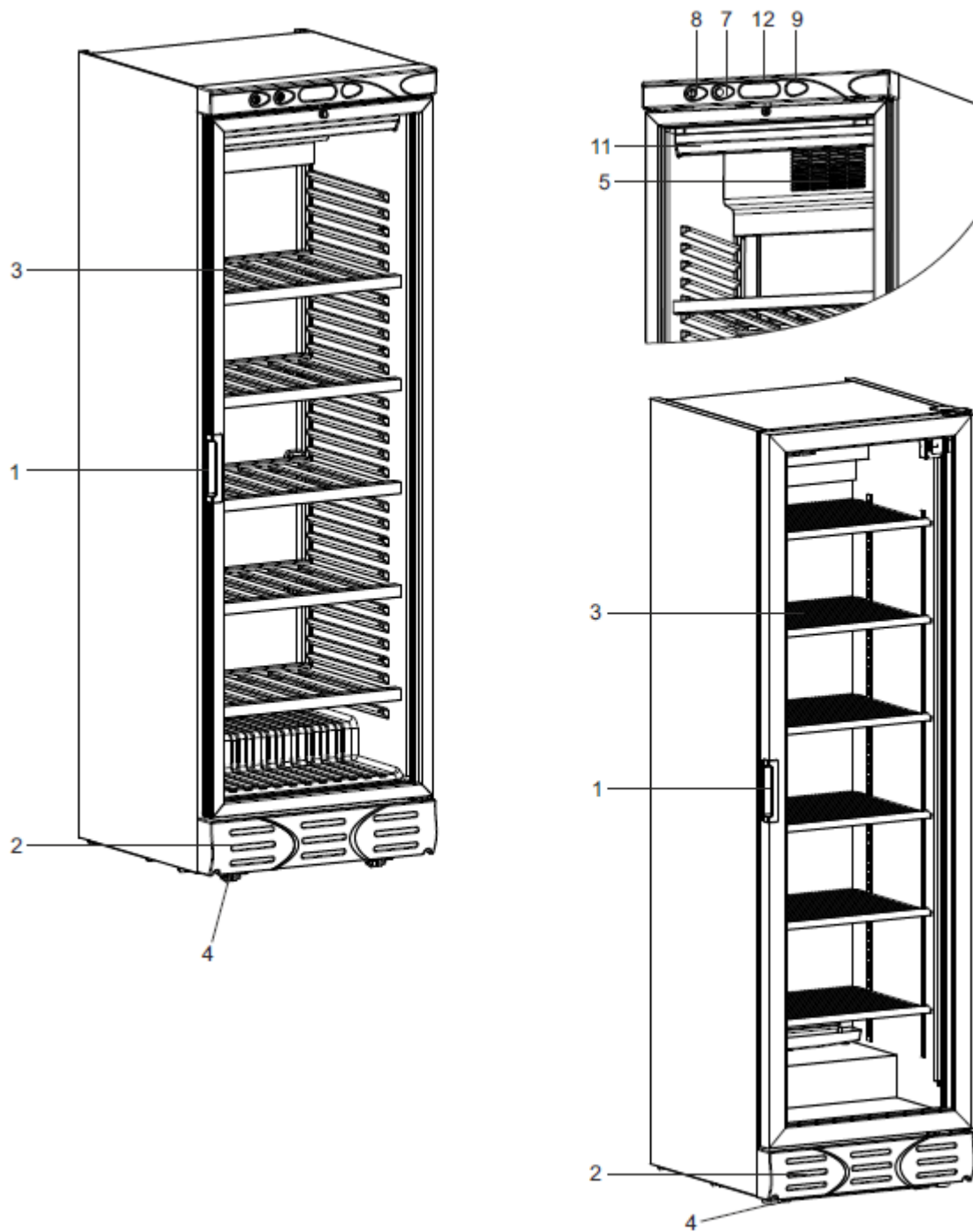
AVERTISSEMENT : Ne pas utiliser un appareil électrique dans la partie de conservation d'aliment de l'appareil.

AVERTISSEMENT : Afin de réduire les risques d'inflammabilité, l'installation de cet appareil doit être réalisée uniquement par un technicien qualifié.

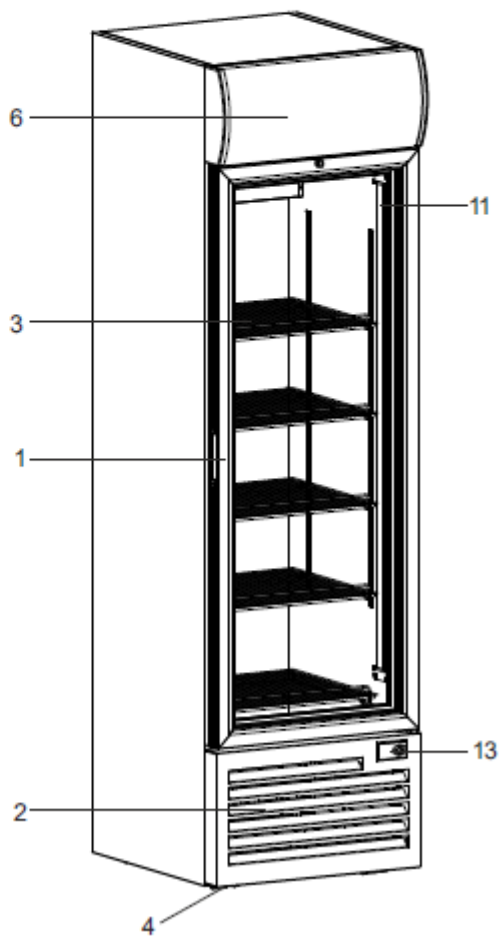
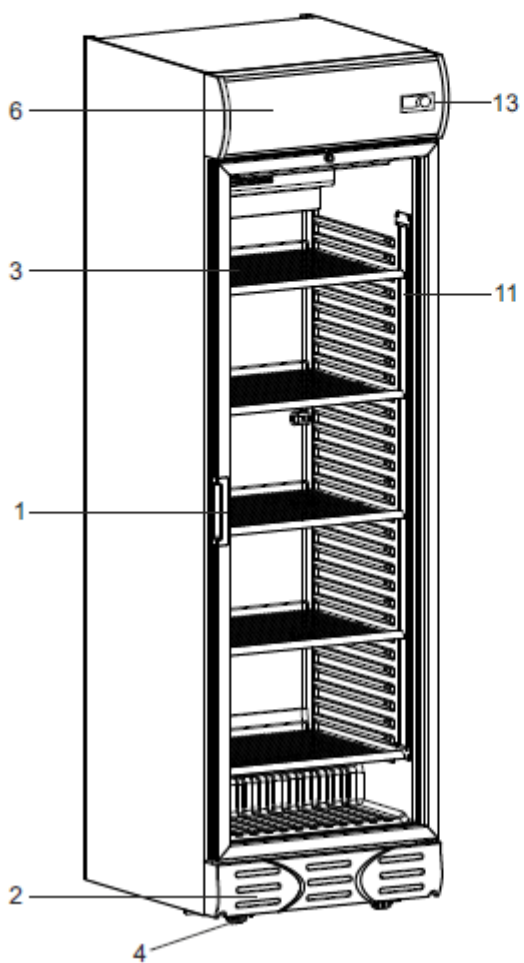
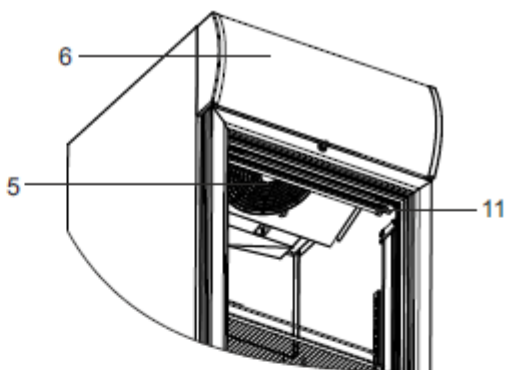
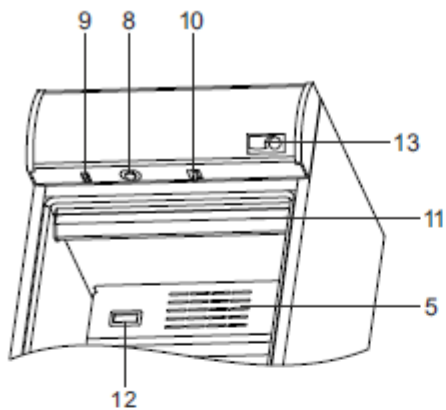
Ne pas intervenir l'appareil pour les raisons de maintien, de réparation, ou bien un autre motif hors de service habilité.

3. CARACTÉRISTIQUES TECHNIQUES

- | | |
|--------------------------------------|---|
| 1. Porte | 8. Bouton de réglage du thermostat |
| 2. Compartiment do moteur | 9. Commutateur d'éclairage |
| 3. Clayettes | 10. Commutateur du ventilateur |
| 4. Pieds | 11. Lampe d'éclairage |
| 5. Ventilateur d'aération intérieure | 12. Thermomètre |
| 6. Top Lumineux | 13. Thermostat électronique (optionnel) |
| 7. Voyant vert | |



REMARQUE : Les images ci-dessus sont facultatives. Ils peuvent varier en fonction des modèles et des versions.



REMARQUE : Les images ci-dessus sont facultatives. Ils peuvent varier en fonction des modèles et des versions.

Caractéristiques techniques	Temperature de fonctionnement °C	Dimensions intérieures WxDxH (mm)	Dimensions extérieures WxDxH (mm)	Charge maximale de clayette (nette) Kg
7464.0015	+4/+10	430x456x774	500x580x865	31
7464.0085	+4/+10	490x447x1570	595x650x2000	41
7464.0088	+4/+10	490x447x1570	595x650x2000	41
7464.0090	+4/+10	490x447x1570	595x650x2000	41
7464.0093	+4/+10	490x447x1570	595x650x2000	41
7464.0094	+4/+10	490x447x1570	595x650x1850	41
7464.0095	+4/+10	490x447x1570	595x650x1850	41
7464.0200	+4/+10	450x497x2024	374x392x1408	23
7464.0205	+4/+10	450x497x1881	374x388x1441	23
7464.0210	+4/+10	374x551x1584	450x656x2024	23

Les valeurs spécifiées dans les tableaux ci-dessous sont données selon les produits standard et peuvent changer en fonction de caractéristiques optionnelles.

L'étiquette de type figure dans la partie réfrigérante du congélateur.

Consultez s'il vous plaît la dernière page du guide pour le spécimen de l'étiquette de type.

Classe de climat			
Classe	Temperature °C	Humidité relative %	Point de fondu °C
0	20	50	9,3
1	16	80	12,6
2	22	65	15,2
3	25	60	16,7
4	30	55	20
5	40	40	23,9
6	27	70	21,1
7	35	75	30
8	24	55	14,4

4. MONTAGE

Il est obligatoire de laisser l'air circuler dans la partie derrière pour un bon rendement des armoires frigorifiques. Placer votre armoire frigorifique en la poussant en arrière. Laisser un espace vide d'au moins de 10cm en arrière et sur les côtés de l'armoire frigorifique. Puis branchez l'armoire.

5. UTILISATION

Des produits à réfrigérer doivent être disposés dans l'armoire frigorifique de façon à ne pas gêner la circulation de l'air. Sinon, il peut y avoir d'importantes différences de température indésirables entre les parties supérieure et inférieure de l'appareil.

Panneau de contrôle :

Le panneau de contrôle est constitué de parties suivantes selon le modèle choisi :

Voyant vert (optionnel) :

Il est allumé tant que votre armoire frigorifique est branchée au secteur.

Bouton de réglage du thermostat (optionnel) :

Il sert à régler la température de votre armoire frigorifique.

Pour les produits sortie usine avec réglage du thermostat mécanique, ce réglage est optimal pour le produit. Il n'est pas recommandé de le changer tant que la température intérieure du produit n'est pas perturbée. Si vous pensez que la température du produit n'est pas dans la plage requise vous pouvez régler le thermostat.

Le réglage du thermostat de votre armoire frigorifique doit être effectué en fonction de la nature des produits à conserver. Le bouton noir de réglage se trouvant sur le panneau de contrôle doit être tourné, à l'aide d'un tournevis à bout plat ou d'une pièce de monnaie vers la droite s'il on désire baisser la température intérieure de l'appareil et vers la gauche si l'on désire l'augmenter. Si ce bouton est tourné à fond vers la gauche, le compresseur s'étant immobilisé, l'action de réfrigération s'arrêtera, mais le courant électrique ne sera pas coupé pour autant.

Ventilateur intérieure de votre armoire (optionnel) :

Il est utilisé pour assurer la circulation de l'air à l'intérieure de votre armoire frigorifique.

Interrupteur de l'éclairage intérieur (optionnel) :

Il est utilisé pour activer et désactiver l'éclairage intérieur. Si la lampe est grillée, débranchez l'armoire avant de la remplacer. Enlever de cache de la lampe. Tourner la lampe + 90°C. Remettre la lampe neuve. Changer toujours le déclencheur avec la lampe.

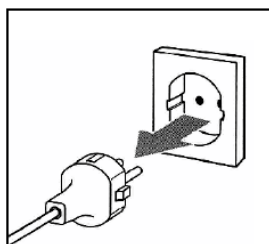
Démontage du top lumineux :

Procéder au démontage du top lumineux de la façon suivante :

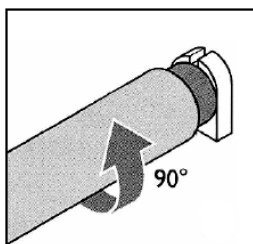
La partie GAUCHE du panneau lumineux est fixé à la carrosserie par les vis et il ne peut pas être démonté de l'extérieur. Le panneau est fixé du côté DROIT et quand on tient cette partie par le bas et le haut et qu'on le retire vers la DROITE, le compartiment s'ouvrira avec le couvercle en glissant sur la coulisse des profilés du haut et du bas. Faire les opérations nécessaires après l'ouverture de ce compartiment (Changement de lampes fluorescentes etc.) et refermer le compartiment comme l'ouverture mais en poussant dans le sens inverse.

Remplacement de l'éclairage : (Si votre produit a une lampe fluorescente)

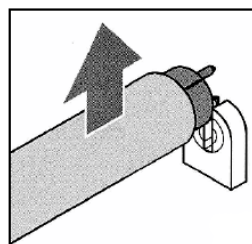
Avant de démonter la lampe, débrancher toujours votre réfrigérateur. Après le démontage de la lampe, couvrir l'intérieur le, retirer la lampe et remplacez-le par une lampe ayant les mêmes caractéristiques (longueur, puissance, etc..).



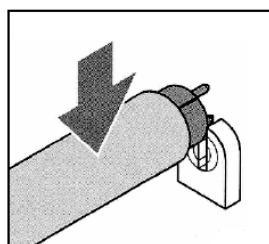
Débranchez votre visi-refroidisseur



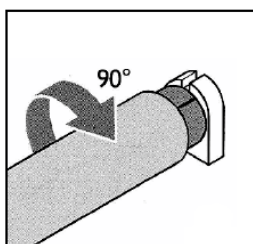
Tournez la lampe de 90°.



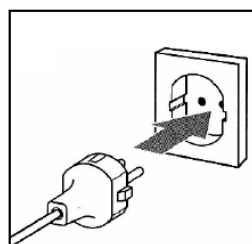
Retirer la lampe fluorescente défectueuse.



Placez la nouvelle lampe fluorescente.



Tournez de 90°



Allumez votre visi-refroidisseur à nouveau.

ATTENTION:

Votre réfrigérateur peut avoir une lampe fluorescente. Si la lampe fluorescente n'illumine pas ou ne commence à cligner, s'il vous plaît appeler le service technique pour la réparer dans un instant. S'il vous plaît, tenir loin votre réfrigérateur du système d'éclairage sans fonction.



Votre réfrigérateur peut être muni d'un éclairage LED. Si vous faites face à un quelconque problème de l'éclairage LED, n'essayez jamais de le réparer. Appeler le fournisseur de service autorisé.

Montage des grilles :**Pour les modèles avec option 1 :**

Des grilles sont fournies dans la glacière.

Placez d'abord les paniers supérieurs dans les crochets supérieurs. Placez les autres racks en conséquence même méthode. Le processus de refroidissement s'effectue par circulation d'air interne. Par conséquent, ne placez pas les grilles trop près les unes des autres.

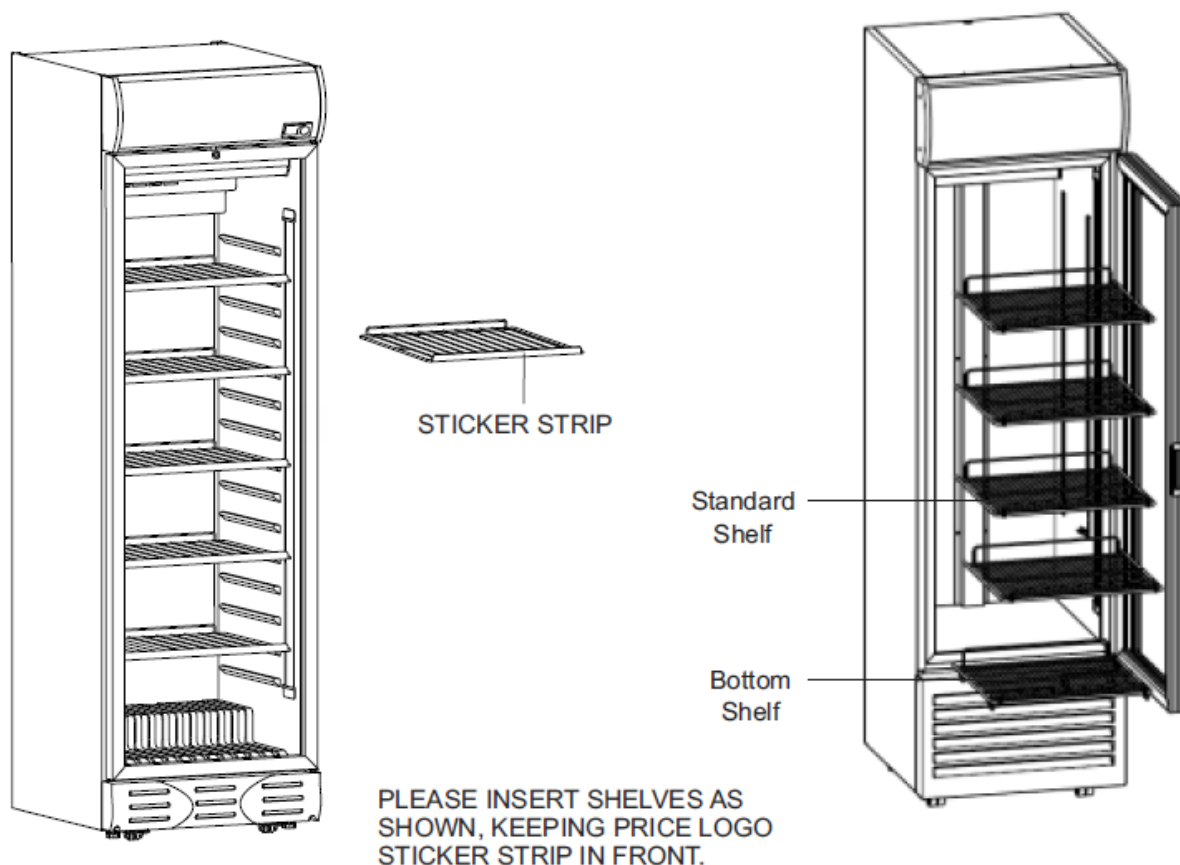
Pour les modèles avec option 2 :

Des grilles et des clips sont fournis dans la glacière. Pour installer les grilles, procédez comme suit :

- Les pilastres sont numérotés afin que la hauteur entre les grilles puisse être ajustée en fonction des exigences du produit. Placez les clips dans les encoches correspondantes sur les pilastres. Pour une installation facile, utilisez des pinces pour saisir les extrémités du support.
- Placez les grilles sur le sol réfrigérant. (Assurez-vous que le côté rectangulaire (90°) est vers l'arrière).
- Tenez l'étagère supérieure ; inclinez un côté et placez-le sur les crochets des supports correspondants.
- Faites de même pour les autres grilles et installez-les toutes.
- Le cas échéant, placez les grilles inférieures au bas de la glacière.

AVERTISSEMENT:

Ne placez jamais rien sur la base de votre glacière. Utilisez toujours le panier inférieur.

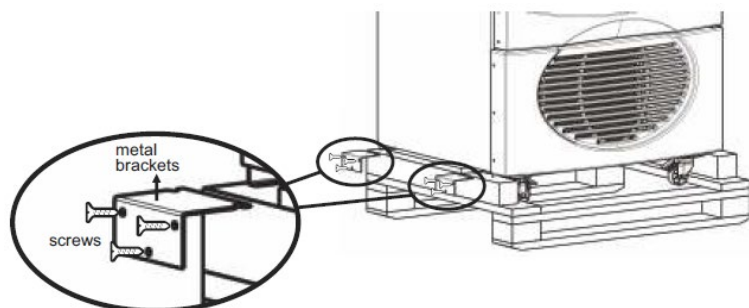


Démontage de la palette en bois et montage des pieds réglables avant:

Pour les modèles avec connecteurs à plaque métallique

Votre armoire est fixée sur une palette en bois avec 4 supports métalliques avant expédition. Suivez les instructions ci-dessous avant de le mettre en place.

Desserrez en desserrant les 3 vis et retirez les supports métalliques fixés au meuble ainsi qu'à l'avant et à l'arrière de la palette à l'aide d'un cutter. Inclinez l'armoire vers l'arrière et retirez la palette située sous l'armoire.



Pour les modèles sans connecteurs à plaque métallique

Votre glacière est livrée sur une palette en bois, qui est fixée à la structure aux quatre coins.

Effectuez les opérations suivantes pour libérer la palette avant de placer la caisse à son emplacement d'utilisation finale :

- Couper les 4 serre-câbles fixant la palette au châssis réfrigéré à l'aide d'outils manuels.
- Détachez soigneusement la palette de la base de la carrosserie. Localisez les pieds de l'intérieur du réfrigérateur inclus. Insérez-les dans les douilles à vis au bas du réfrigérateur et ajustez la hauteur.

VEUILLEZ NOTER : Les pieds réglables à l'avant de l'armoire ne doivent jamais être ouverts en même temps. En fonction du déséquilibre du produit, un seul des pieds réglables du côté droit ou gauche doit être ouvert et le produit doit ainsi être équilibré.

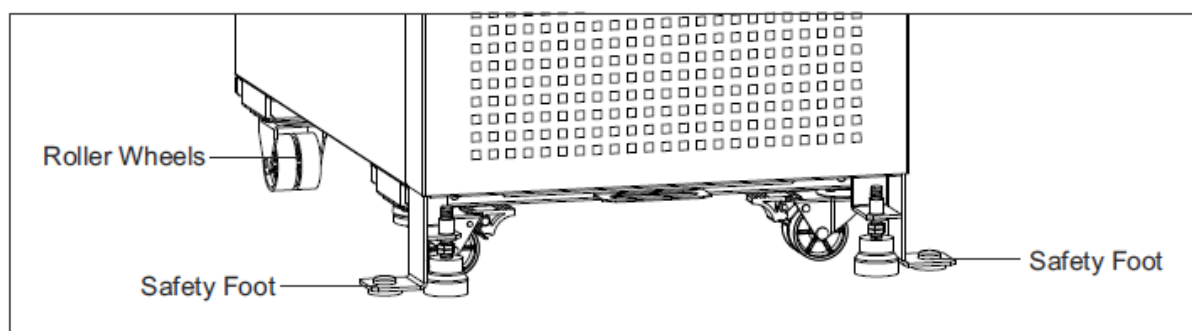
FICHE DE SÉCURITÉ :

Si vous possédez un produit à roulettes, il y a 2 pieds de sécurité à l'avant de votre produit.

ATTENTION!

Sauf s'ils sont endommagés et remplacés par les mêmes pieds, ne retirez en aucun cas les pieds de sécurité ! Ne changez jamais les pieds de sécurité lorsque le réfrigérateur est en marche !

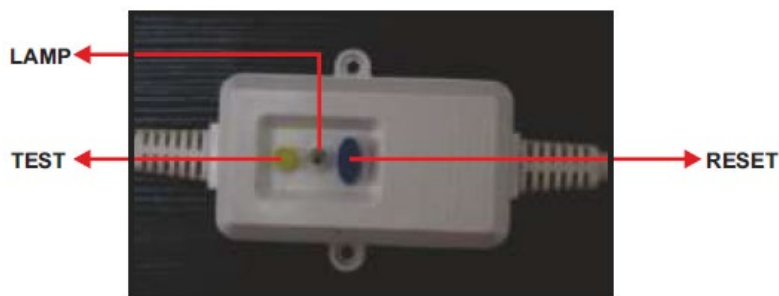
Changez les pieds de sécurité en inclinant le produit vers l'arrière ou le côté droit du produit. Ne changez jamais les pieds de sécurité lorsque la glacière est verticale.



DISPONIBLE UNIQUEMENT POUR LES MODÈLES AVEC RELAIS DE COURANT DE FUITE :

Il se peut qu'il y ait un relais de courant de fuite dans le câble d'alimentation de votre réfrigérateur. Pour tester si le relais de courant de fuite fonctionne correctement, appuyez sur le bouton jaune « TEST », illustré dans la figure suivante. La lumière s'éteindra et l'alimentation de votre réfrigérateur sera coupée lorsque vous appuierez dessus. Vous pouvez rallumer le réfrigérateur en appuyant sur le bouton « RESET ».

En cas de courant de fuite, l'alimentation électrique de votre réfrigérateur sera automatiquement coupée. Si votre réfrigérateur ne fonctionne pas et que la lampe connectée au câble illustrée dans la figure suivante n'est pas allumée, appuyez sur le bouton « RESET ». Le voyant s'allume lorsque votre réfrigérateur fonctionne. Si votre réfrigérateur ne fonctionne plus, contactez un centre de service agréé.



DISPONIBLE UNIQUEMENT POUR LES MODÈLES AVEC RÉGULATEUR DE TENSION :

Le régulateur de tension de votre réfrigérateur protège l'appareil contre les fluctuations de la tension secteur. Lorsque la tension secteur fluctue en dehors de la plage autorisée, le régulateur de tension coupe l'alimentation électrique de l'appareil. Dès que la tension secteur se situe à nouveau dans la plage autorisée, l'appareil fonctionne à nouveau. Mais même si la tension secteur revient immédiatement dans la plage autorisée, le régulateur de tension met sous tension après un délai de 3 minutes pour protéger l'appareil contre les pics et les creux de tension.

Dégivrage :

Dans le système de réfrigération avec commande à thermostat, le dégivrage se fait de manière automatique. L'eau du dégivrage s'accumule dans le canal se trouvant en dessous de l'évaporateur et elle est transmise par un tuyau dans le bac de récupération et elle s'évapore là.

On peut accélérer le dégivrage en mettant de l'eau chaude (pas bouillante) dans un récipient en bas de l'appareil. Nettoyer l'armoire frigorifique après le dégivrage et essuyer l'eau et l'humidité à l'intérieur. Rebrancher l'armoire frigorifique et la remplir de produits une heure plus tard.

6. NETTOYAGE, ENTRETIEN ET TRANSPORT

Votre armoire frigorifique doit être régulièrement nettoyée pour un meilleur rendement. Ne jamais utiliser à cet effet de produits contenant de l'alcool, de poudre abrasive. Avant de procéder au nettoyage, débrancher votre appareil. Essuyer l'intérieur de l'armoire frigorifique à l'aide d'une solution contenant 2 cuillères à thé de bicarbonate de soude alimentaire (dans 1 litre d'eau). Nettoyer la partie extérieure avec un chiffon mouillé et essuyer avec un chiffon sec.

Attention !

Ne jamais utiliser d'eau chaude, d'appareils électriques, d'objets tranchants sous peine d'endommager votre armoire frigorifique.

Vacances/arrêt prolongé : Au cas où vous partez en vacances pour une courte durée ou que vous prévoyez un arrêt provisoire, ne retirez pas la fiche de la prise. Au cas où vous partez en vacances pour une longue durée ou que vous prévoyez un arrêt prolongé, débranchez votre armoire frigorifique, videz-la. Après le dégivrage, nettoyez et essuyez l'intérieur de votre armoire frigorifique avec un chiffon. Laissez la porte ouverte pour éviter la formation des mauvaises odeurs.

Transport : Pendant le transport, débrancher l'armoire frigorifique, procéder au dégivrage, essuyer les parois et le plancher intérieurs avec un chiffon humide, insérer les cales en plastique entre la porte et la carrosserie et le transporter en position d'utilisation normale.

Attention : Dans la période de non-fonctionnement de l'armoire, il y a l'obligation d'agir conformément au règlement et à la législation du pays où se trouve l'armoire frigorifique, du fait qu'on utilise du gaz de dilatation (Pentane-C) pour l'isolation de l'armoire frigorifique.

7. CE QU'ON DOIT FAIRE AVANT D'APPELER LE SERVICE COMPÉTENT

Si votre armoire frigorifique ne fonctionne pas :

- La fiche n'est pas bien enfoncée dans la prise.
- Il n'y a pas de courant à la prise ou les fusibles ont sautés.
- Vérifier s'il y a une coupure d'électricité, si la fiche est branchée sur la prise.

Si votre armoire frigorifique fonctionne plus qu'il le faut ou se met à fonctionner souvent :

- Ou la porte s'ouvre très souvent ou la porte reste longtemps ouverte.
- Le bouton du thermostat est réglé au froid trop élevé.
- Le compartiment du compresseur n'est pas suffisamment aéré ou il est plein de poussière
- Il doit être nettoyé.

Si votre armoire frigorifique ne refroidit pas suffisamment :

- Le bouton du thermostat est réglé en position insuffisante.
- Ou la porte s'ouvre très souvent ou la porte reste longtemps ouverte.
- La circulation de l'air n'est pas suffisante à l'intérieur de votre armoire frigorifique du fait qu'elle est trop remplie.
- L'entretien du condensateur n'a pas été réalisé (Regardez la part 7, s.v.p.).

Si votre armoire frigorifique ne fonctionne toujours pas malgré les contrôles indiqués ci-dessus et le nécessaire exécuté ou qu'il fonctionne mal, adressez-vous au service compétent le plus proche en indiquant le modèle et le numéro de série de votre armoire frigorifique.

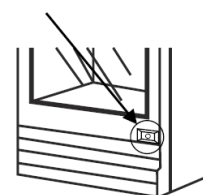
8.1. POUR LE MODÈLE AU SYSTÈME CONTRÔLE D'ÉLECTRONIQUE

Our models with electronic control are designed with purpose of minimizing the energy consumption, and for that purpose they are equipped with special control systems. Your product is not only with thermostat control, it is equipped with a control system having feature of self-learning.

It is unfavourable to mount and dismount the magnetic door switches, motion sensor and other equipment by unauthorized people.

Control system is set so that refreshments should be kept at 3°C. This temperature value is the plant set temperature so that you can get the optimum efficiency from the cabinet and the ideal temperature recommended by refreshment producers.

MOTION SENSOR



Fonctionnement du système de contrôle électronique

The most important feature of the system is the self-learning module. It can sense conditions of the usage and when the selling point that the product is placed, is open or closed and it can control the operation characteristics in this direction. This features are provided by recording the properties as the density of the people around the cooler, frequency of opening and closing of the door of the apparatus, light level of the environment where the cooler is inside, with the help of the sensors.

La spécification de système contrôle

Control unit can open the lights of the cooler when the selling point is open and shuts off the lights when the selling point is closed. This feature shall operate after finishing the learning period of the control system. The light of the cooler shall be open until finishing the learning period. Please do not try to close it by yourself.

Control unit can control the inside evaporator fan. When the door is opened, inner fans are stopped. When the equipment is in stand-by mode, inner fan operates and stops with certain intervals. Stand-by mode refers the night or the hours that cooler is not used.

When the door of the unit is open for more than 2 minutes, control unit give signal. For this reason, it is normal to have signal during the loading of the refreshment. When the loading is finished, signal stops with closing of the door.

In stand-by mode control unit can lower the operation period of the compressor to the minimum levels.

Control unit applies defrost periods in certain intervals and it stops cooler system completely. After defrost operation, system turns normal condition again.

If there is a cooling defect in your cooler, control unit gives an alarm.

Etapas d'utilisation

Faites fonctionner votre vitrine le matin et au début des horaires de travail. L'est important que le courant ne se coupe pas pendant les 24 heures suivantes.

A partir du premier jour, l'unité de contrôle apprend les horaires de travail du lieu o elle se trouve, et l'objectif d'utilisation de la vitrine. La durée d'apprentissage peut durer 2-10 jours, c'est ensuite un contrôle automatique qui se met en place pour gérer au mieux la température de votre armoire réfrigérée.

Après avoir terminé l'apprentissage, l'unité de contrôle passe au mode veille la suite de 30 minutes de fermeture de magasin et puis 30 minutes après avoir fermé les lumières. Le jour suivant, 1 heure et demie avant l'ouverture du magasin, la vitrine se remet en route afin de préparer la température idéale.

Note important note:

L'unité de contrôle le prend toujours en compte les caractéristiques enregistrées, mais aussi les caractéristiques variables d'utilisation. Selon les changements saisonniers et horaires comme changement d'ouverture ou fermeture, en modifiant le programme, l'unité continue toujours contrôler la vitrine.

Information d'écran et mode d'utilisation:

COMPRESSEUR (clignotant de compresseur): quand le clignotant vert s'allume cela indique que le compresseur fonctionne.

VENTILATEUR (clignotant de ventilateur): quand le feu vert s'allume, cela indique que les ventilateurs intérieurs fonctionnent.

"USE" : Votre réfrigérateur est prêt à utilisation

"_ _ _" : Votre réfrigérateur est au mode de stand-by

"888" : Votre réfrigérateur est au mode de contre congèle

"dO" : Ceci indique l'ouverture de porte

"dEF" : Le système est au mode de defrost

"rSF" : Il y a un problème dans le système de refroidissement, s'il vous plait contactez avec le service habilité.

"SLO" : Le réfrigérateur se stoppe en raison de voltage insuffisant

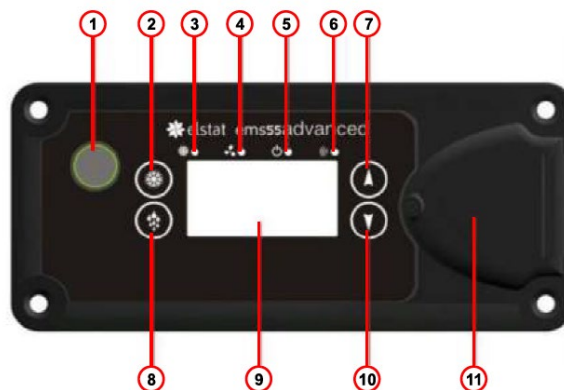
"SHI" : Le réfrigérateur se stoppe en raison de survoltage

"Pf1" : Le condenseur de haute température, s'il vous plait contactez avec le service habilité.

AVERTISSEMENT:

Le bouton de dégivrage peut être utilisé de manière manuelle lors du réglage du réfrigérateur durant les 10 minutes de dégivrage.

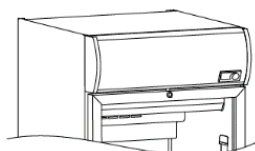
1. Le senseur de mouvement
2. Bouton de set
3. Le LED de compresseur
4. Le LED de fan
5. Le LED d'aliment**
6. Le LED de mouvement
7. Le bouton de dessus*
8. Bouton de décongèle
9. Display
10. Le bouton pour dessous*
11. Porte de configuration*



*Ces boutons seront seulement utilisés par le service

**Ce LED n'a aucune fonction sur ce réfrigérateur

8.2. CAREL ECOBOX ET ENERGY SAVING POUR LES MODELES A CONTROLE



Lorsque le réfrigérateur est branché à sa prise, l'unité de contrôle clignote durant quelques secondes afin de contrôler si tous les raccordements ont été correctement effectués. Cela est normal. Et par la suite, l'écran indiquera la température existante. La température qui a été réglée maintiendra vos boissons à la température optimum. Nous vous prions de ne pas essayer de changer ce réglage.



CAREL ECOBOX



CAREL ENERGY SAVING TYPE 1



CAREL ENERGY SAVING TYPE 2



LIGHT: L'état de la lumière changera lorsque vous appuierez sur les touches. Durant 0,5 secondes. Lorsque vous appuierez sur les touches et avant cet appui, l'état de la lumière changera. Afin de changer l'état de la lumière, vous verrez apparaître sur l'écran les indications « Ouvert » « Fermée ».

DAY/NIGHT MODE: Le thermostat changera automatiquement de mode. Si la porte reste fermée durant plus de 4 heures, le thermostat se mettra en mode de nuit et ainsi les lumières du réfrigérateur s'éteindront. Les lampes peuvent s'ouvrir/se refermer lorsque vous appuierez sur le bouton de la lampe. Si la porte s'ouvre en mode de nuit, le mode se placera en mode de jour. Votre réfrigérateur consommera moins d'énergie en mode de nuit. Si vous désirez changer le mode en mode de nuit, il vous suffira d'appuyer sur le bouton Jour-Nuit. Il passera en mode de nuit dans les 60 secondes.



ECO MODE: Le mode ECO s'ouvrira et se fermera en pressant au moins 3 secondes sur l'ensemble de touches en mode ECO. (Si le mode ECO fonctionne, il va alors se fermer, si le mode ECO est en attente, il va alors commencer). En pressant sur l'ensemble de touches, l'écran va montrer que le mode « ECO » s'ouvre et se ferme, et va nous informer de quelle façon le mode de fonctionnement va changer en montrant « ECO » (Economie) ou « nor » (normal). Si le thermostat est en mode ECO, le réfrigérateur consommera moins d'énergie.

9. NORMES DE CONFORMITÉ DES PRODUITS

Les armoires frigorifiques indiquées dans le manuel d'instructions sont fabriquées et testées conformément aux normes : TS EN ISO 23953-1, TS EN ISO 23953-2, TS EN 60335-2-89, IEC 60335-2-89, 2006/95/EC, 2004/108/EC.