

# CombiSteel

**7534.0015**

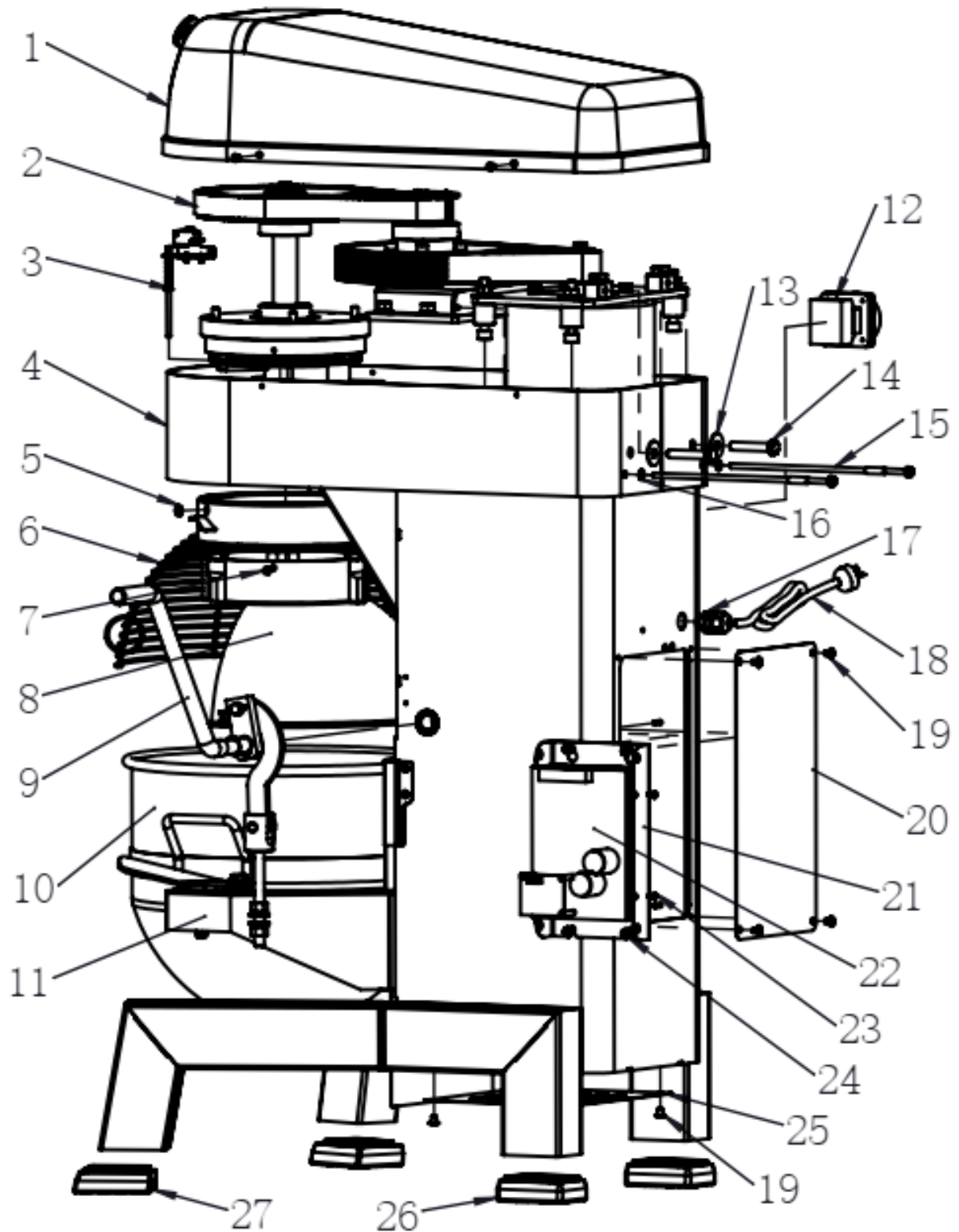
**v1.0**

Onderdelen informatie  
Erzatzteil information  
Spare part information  
Information de pièces

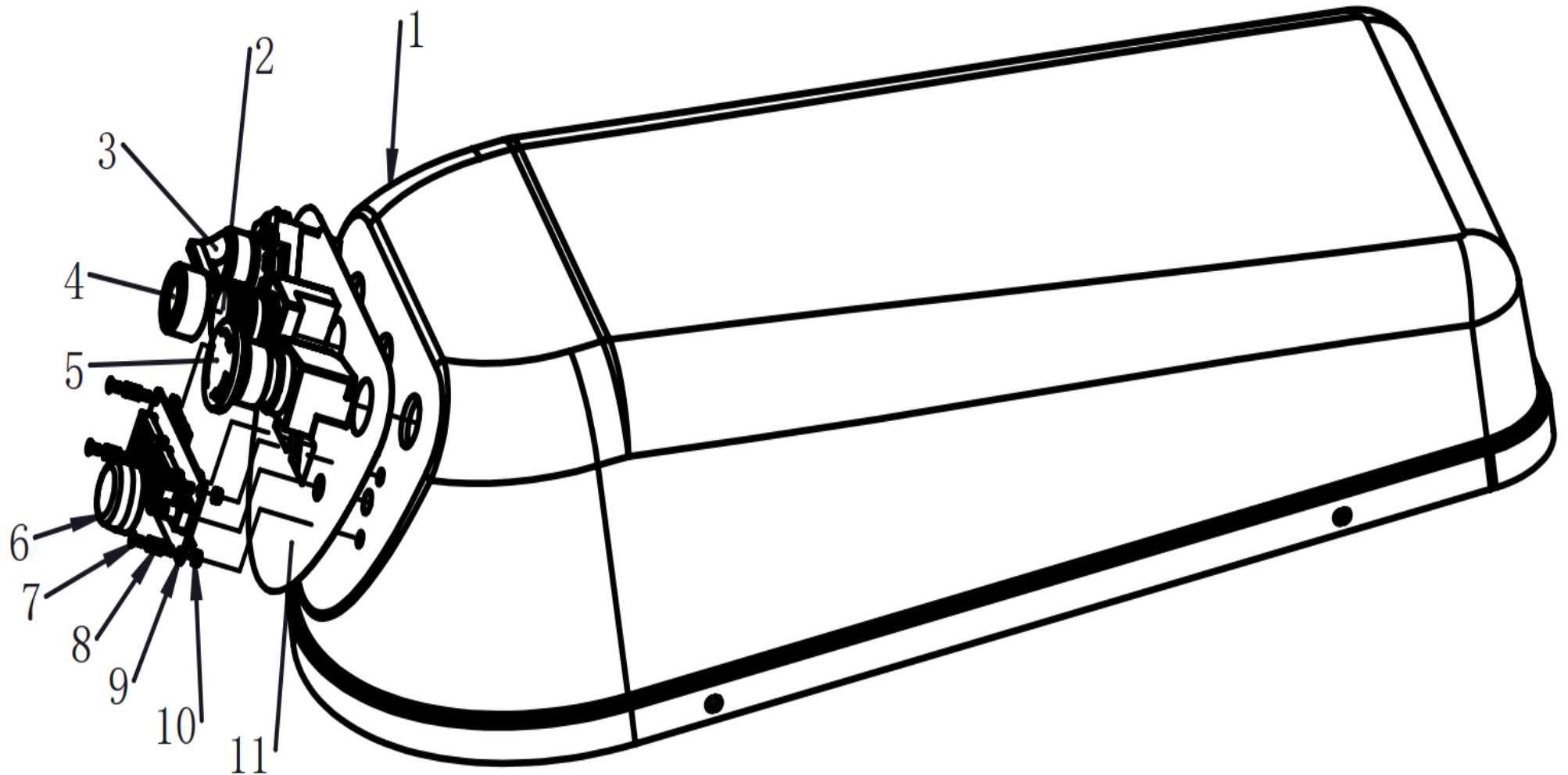




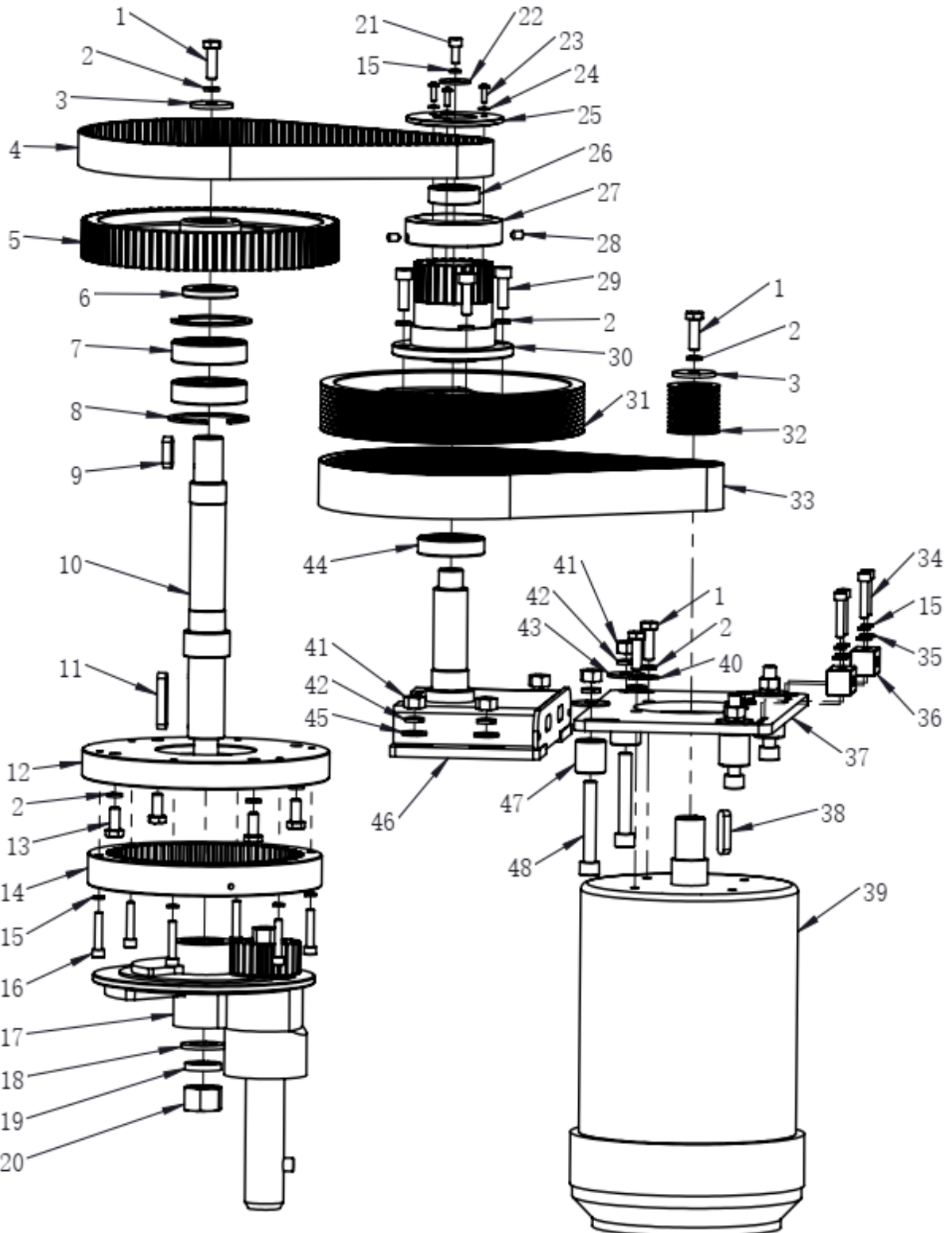
Drawing: 1



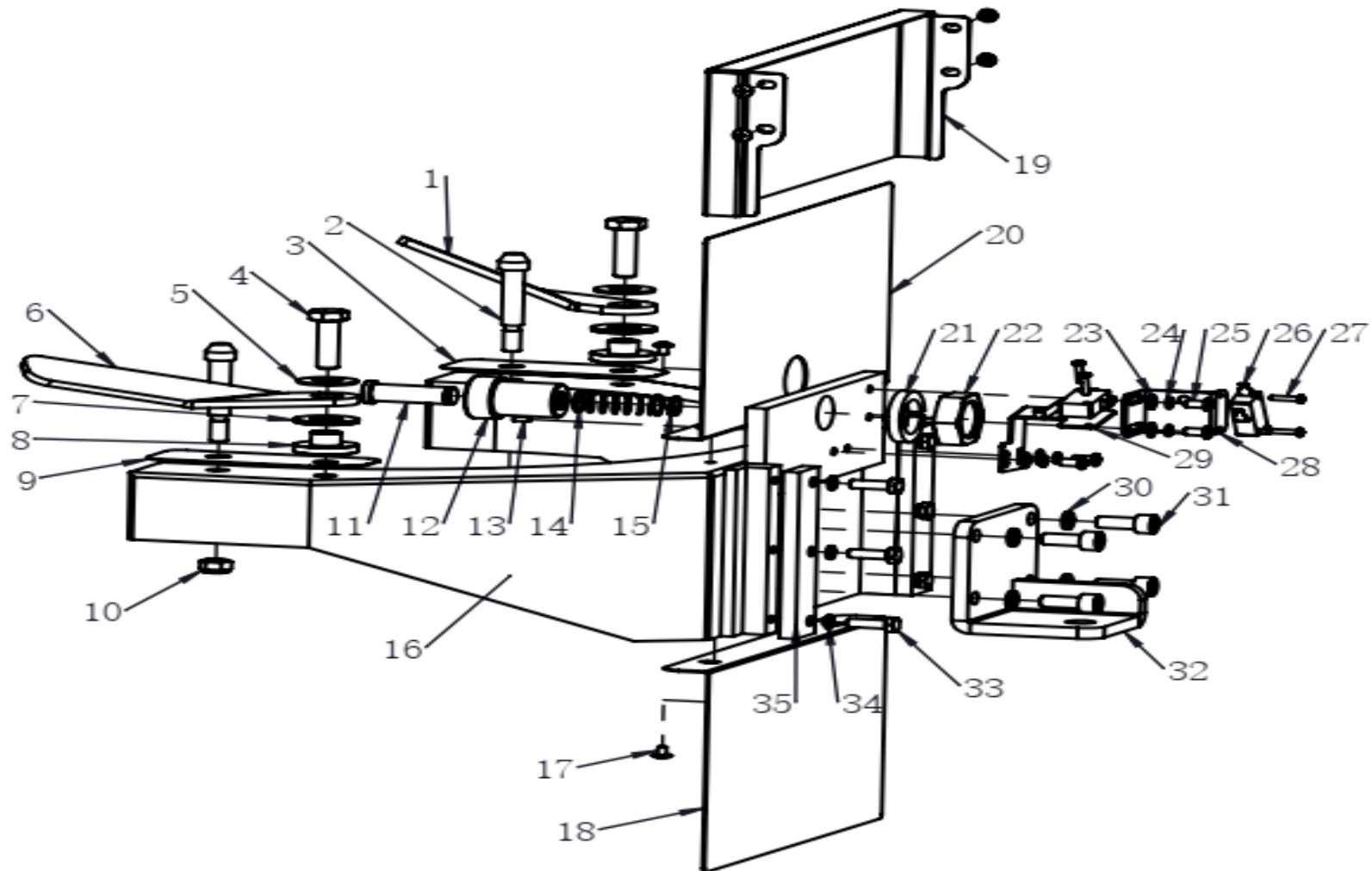
Drawing: 2



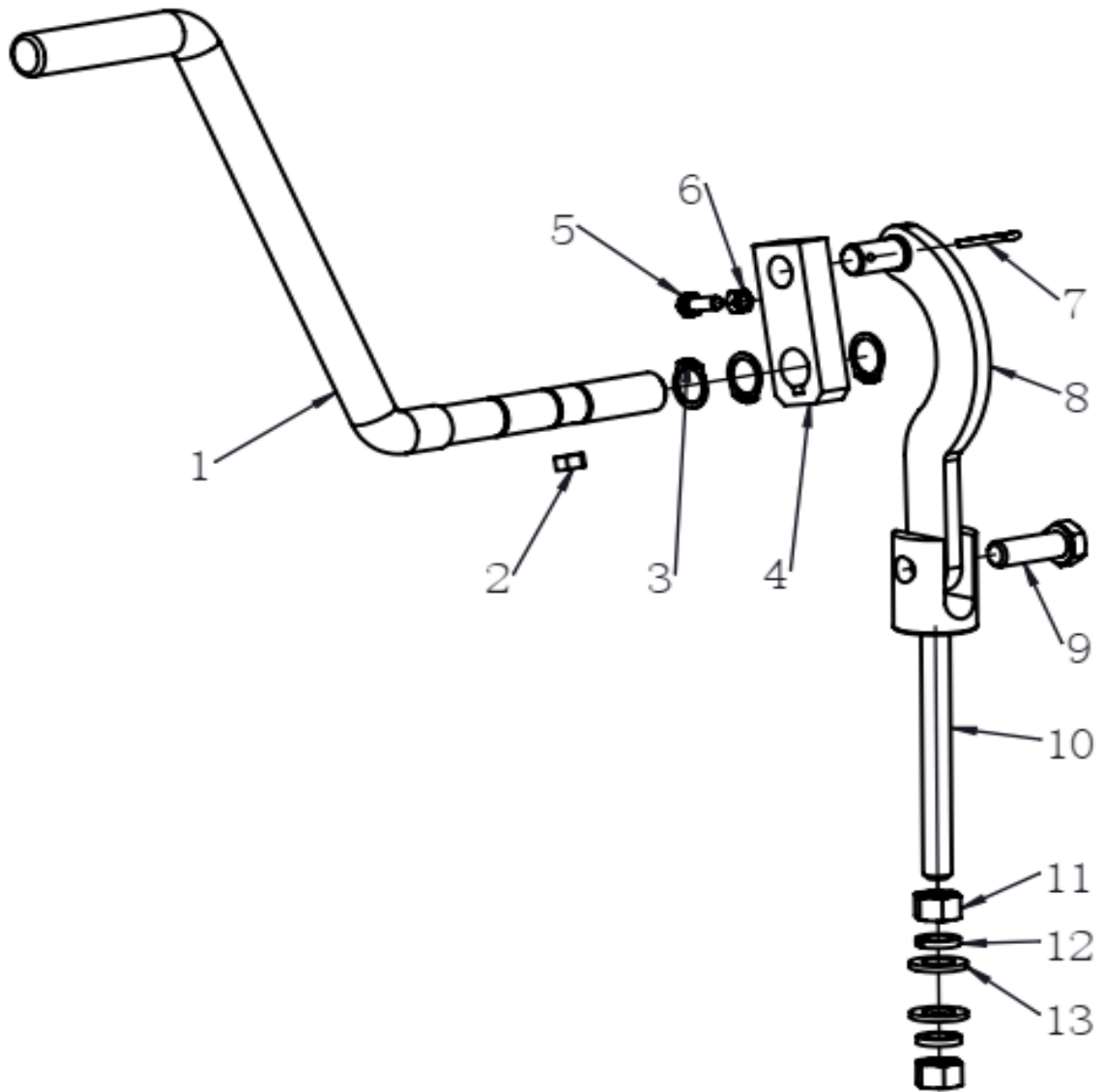
Drawing: 3



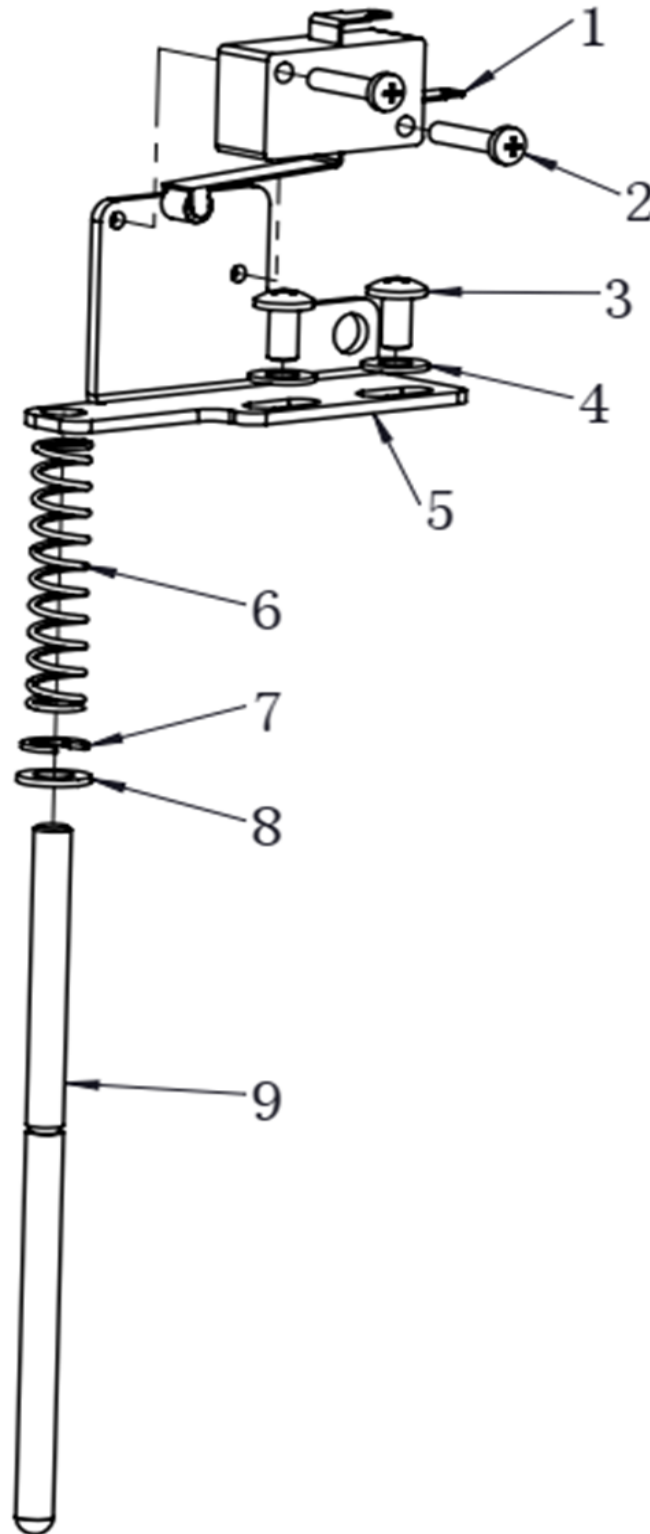
Drawing: 4



Drawing: 5

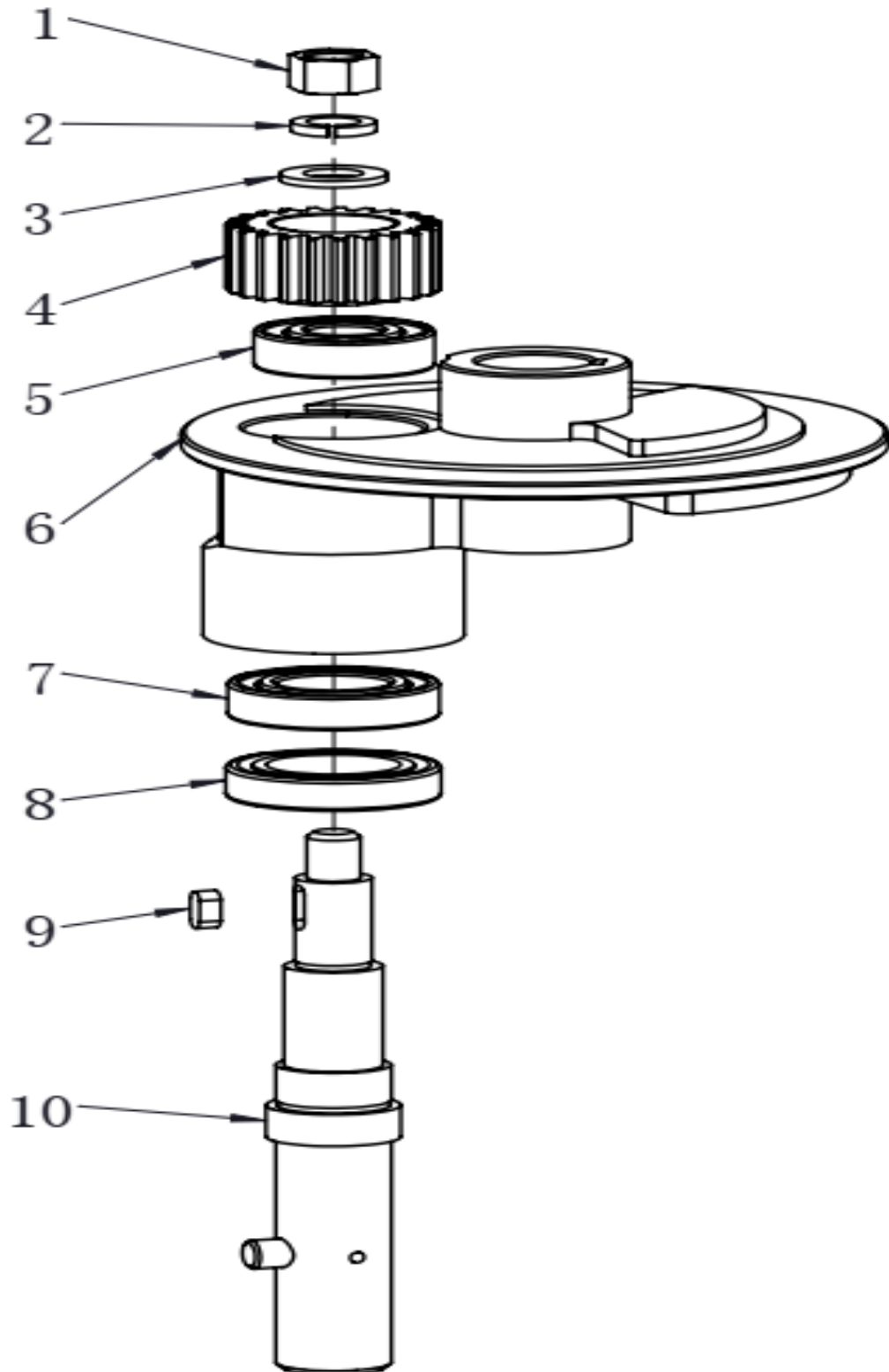


Drawing: 6

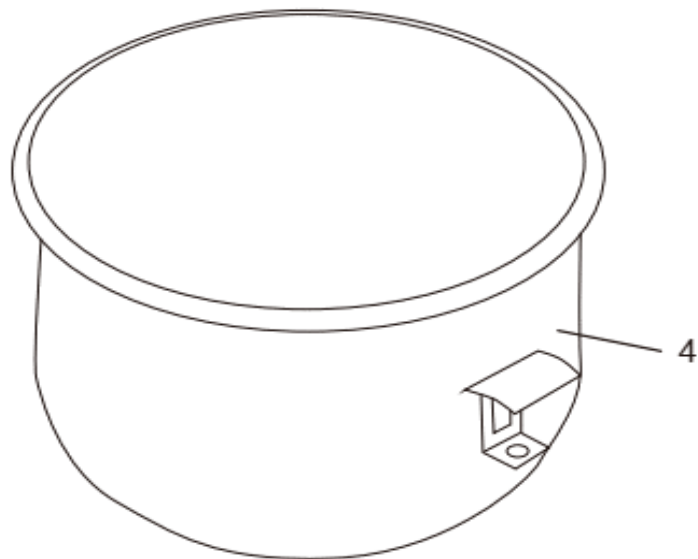
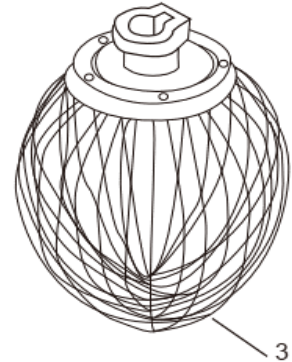
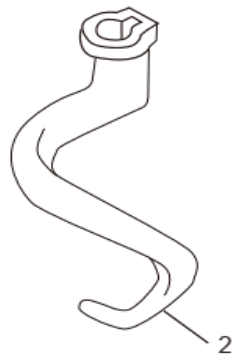
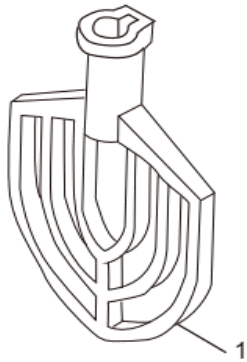




Drawing: 7



Drawing: 9





## Onderdelenlijst 7534.0015

POS:	Art.No.:	Omschrijving:	Aantal:
1-1		Top cover	
1-2		Belt	
1-3	CS9008.2090	Micro-switch	
1-4		Body	
1-5	CS9008.2024	Rubber plug	
1-6		Safety net (move)	
1-7		Screw M5*10	
1-8		safety net (fixed)	
1-9		Handle	
1-10		Bowl	
1-11		Arm	
1-12	CS9008.2092	switch GLD11-25-04	
1-13		Gasket M10.5*30*2	
1-14		Screw M10*55	
1-15		Screw	
1-16		Gasketφ 6	
1-17		cabl fixing head M20*1.5	
1-18		Cable	
1-19		screw M4*8	
1-20		Rear cover	
1-21		Board	
1-22		Frequency driver	
1-23		Screw M4*8	
1-24		Nut M5	
1-25		Board	
1-26	CS9008.2094	Rear feet pad	
1-27	CS9008.2094	Front feet pad	
2-2	CS9008.2100	Start Switch	
2-3	CS9008.2038	Mix tool selector Switch	
2-4	CS9008.2042	Rubber Boots	
2-5	CS9008.2034	Emergency switch	
2-6	CS9008.2044	changer speed switch	
2-7		Screw M3*6	
2-8		Single end studs M3*8+10	
2-9	CS9008.2096	Control Panel	
2-10		Nut M3	
2-11		panel sticker	
3-1		Screw M8*25	
3-2		Spring gasket	
3-3		Gasket 35*8.5*3	
3-4		Belt 880*27	
3-5		Belt wheel 8m84z	
3-6		Shaft spacer	



## Onderdelenlijst 7534.0015

POS:	Art.No.:	Omschrijving:	Aantal:
3-7		Bearing 6206	
3-8		Ring $\phi$ 62*2	
3-9		Key A 8*7*25	
3-10		Center axle	
3-11		Key A 8*7*45	
3-12		Gear ring cover	
3-13		Screw M8*18	
3-14		Inner gear	
3-15		Spring gasket $\phi$ 6	
3-16		Screw M6*30	
3-17		Turning plate	
3-18		Gasket $\phi$ 20	
3-19		Spring gasket $\phi$ 20	
3-20		Screw M6*30	
3-21		Screw M6*14	
3-22		Upper gasket 6.5*25*2	
3-23		Screw M4*12	
3-24		Gasket $\phi$ 4	
3-25		Ring	
3-26		Bearing 6004	
3-27		Ring	
3-28		Screw M6*10	
3-29		Screw M8*25	
3-30		Belt wheel 8M26Z	
3-31		Belt wheel 219Z10	
3-32		Belt wheel 43Z10	
3-33		Belt PK835-z10	
3-34		Screw M6*30	
3-35		Gasket $\phi$ 6	
3-36		Motor tension block	
3-37		Motor's board	
3-38		Key 8*7*35	
3-39		Motor	
3-40		Gasket $\phi$ 8	
3-41	CS9008.2058	Nut M10	
3-42	CS9008.2058	Spring gasket $\phi$ 10	
3-43		Gasket M10*30*2	
3-44		Bearing 6006	
3-45		Gasket $\phi$ 10	
3-46		Shaft	
3-47		Motor sleeve	
3-48		Screw M10*65	
4-1		Bowl board left	



## Onderdelenlijst 7534.0015

POS:	Art.No.:	Omschrijving:	Aantal:
4-2		Bowl screw	
4-3		Bowl gasket left	
4-4		Screw M10*35	
4-5		Gasket 28*14.2*1.5	
4-6		Bowl board right	
4-7		Bowl gasket right	
4-8		Bowl board cover	
4-9		Bowl gasket left	
4-10	CS9008.2054	Nut M8	
4-11		Frame	
4-12		Bowl position cover	
4-13		Cylinder pin 3*8	
4-14		Bowl position spring 15*1*40	
4-15		Ring 12x1	
4-16		Arm	
4-17		Screw M4*6	
4-18		Arm's lower board	
4-19		Board	
4-20		Arm's upper board	
4-21		Gasket $\phi$ 24	
4-22		Nut M24*1.5	
4-23		Gasket $\phi$ 5	
4-24		Spring Gasket $\phi$ 5	
4-25		Screw M5*10	
4-26	CS9008.2056	Travel switch XV-156-1C25	
4-27		Screw M3*14	
4-28		Travel switch bracket	
4-29		Bowl bracket	
4-30		Gasket $\phi$ 8	
4-31		Screw M8*20	
4-32		Board	
4-33		Screw M6*20	
4-34		Gasket 6	
4-35		Flat clamp	
5-1		Handle	
5-2		Key A 6*6*14	
5-3		Stop ring $\phi$ 18*1	
5-4		Handlebar Crank Wheel	
5-5		Screw M6*16	
5-6		Nut M6	
5-7		Pin 3*20	
5-8		handlebar pull	
5-9		Nut M12*35	



## Onderdelenlijst 7534.0015

POS:	Art.No.:	Omschrijving:	Aantal:
5-10		Handle Hanging Shaft	
5-11		Nut M12	
5-12		Gasket $\phi$ 12	
5-13		Gasket $\phi$ 12	
6-1	CS9008.2056	Travel switch XV-156-1C25	
6-2		Screw M3*14	
6-3		Screw M4*8	
6-4		Gasket $\phi$ 4	
6-5		Bowlswitch frame	
6-6		Spring 8*1*40	
6-7	CS9008.2070	Split washer 4	
6-8		Gasket $\phi$ 5	
6-9		Crown bar	
7-1		Nut M14	
7-2		Spring gasket $\phi$ 14	
7-3		Gasket $\phi$ 14	
7-4	CS9008.2098	Planetary gear	
7-5	CS9008.2064	Bearing 6204	
7-6		Turning plate	
7-7		Bearing 6006	
7-8		Oil seal 35*56*12	
7-9		Key A 6*6*14	
7-10		Mixing axle	
9-1	CS7534.9050	BEATER	
9-2	CS7534.9070	HOOK	
9-3	CS7534.9030	WHISK	
9-4	CS7534.9010	BOWL	