

ÜRÜN ADI / PRODUCT

PF 6262 DE

TARİH / DATE

10.08.2018

DETAY RESİM  
DETAIL PICTURE

SAYFA NO: 1 / 4  
PAGE NO.: 1 / 4

PF 6262 DE



<b>Dış Ölçüler</b>	890 x 720 x 765 mm.	<b>Outside Dim.</b>	890 x 720 x 765 mm.
<b>İç Ölçüler</b>	2 x 620 x 620 x 150 mm.	<b>Inside Dim.</b>	2 x 620 x 620 x 150 mm.
<b>Pişirme Alanı</b>	2 x 4 ad. Ø 30 cm.	<b>Baking Arena</b>	2 x 4 pcs. Ø 30 cm.
<b>Pişirme Taşı Ölçüleri</b>	2 x 615 x 610 x 17 mm.	<b>Baking Stone Dim.</b>	2 x 615 x 610 x 17 mm.
<b>Termostat Aralığı (°C)</b>	85 - 455 °C ( 4 ad. Bağımsız )	<b>Thermostat Interval (°C)</b>	85 - 455 °C (4 pcs. Independent)
<b>Aydınlatma</b>	2 ad. 25 W.	<b>Illumination</b>	2 pcs. 25 W.
<b>Toplam Elektrik Gücü (kW)</b>	8 x 1,25 kW = 10 kW.	<b>Total Power (kW)</b>	8 x 1,25 kW = 10 kW.
<b>Elektrik Bes. Gerilimi (V/A)</b>	400 V 3F+N / 3 x 27 A.	<b>Power Supply Voltage (V/A)</b>	400 V 3F+N / 3 x 27 A.
<b>Besleme Kablosu</b>	5 x 4 H07RN-F	<b>Power Supply Cable</b>	5 x 4 H07RN-F
<b>İç Tesisat Kabloları</b>	SIAF 2,5 mm <sup>2</sup>	<b>Internal Cable</b>	SIAF 2,5 mm <sup>2</sup>
<b>İzolasyon</b>	Taş Yünü	<b>Insulation</b>	Rock Wool
<b>Ağırlık</b>	119 kg.	<b>Weight</b>	119 kg.

NO.	AÇIKLAMA	DESCRIPTION	ÜRÜN NO. / ITEM NO	ADET / PCS.
1	GÖVDE	MAIN BODY	PF6262DE-01	1
2	YAN KAPAK	SIDE COVER	PF6262DE-02	2
3	ÖN PASLANMAZ ÇERÇEVE	FRONT STAINLESS FRAME	PF6262DE-03	1
4	EMAYE ÇERÇEVE	ENAMEL FRAME	PF6262DE-04	2
5	FIRIN ÖN KAPAK	OVEN FRONT COVER	PF6262DE-05	2
5A	M8 İMBUS CİVATA	M8 İMBUS PIN BOLT	PF6262DE-05A	4
5B	EMAYE KAPAK	ENAMEL COVER	PF6262DE-05B	2
5C	KAPAK İZOLASYONU	COVER ISOLATION	PF6262DE-05C	2
5D	GÖZETLEME CAMI	SIGHT GLASS	PF6262DE-05D	2
5E	PASLANMAZ KAPAK	STAINLESS COVER	PF6262DE-05E	2
5F	BAKALİT	BAKELITE	PF6262DE-05F	4
5G	ALÜMİNYUM KOL	ALUMINUM ARM	PF6262DE-05G	2
6	PİŞİRME KAZANI	COOKING BOILER	PF6262DE-06	2
7	PİŞİRME TAŞI	COOKING STONE	PF6262DE-07	2
8	BESLEME KABLOSU	FEEDING CABLE	PF6262DE-08	1
9	RAKOR	FEEDING CABLE SOCKET	PF6262DE-09	1
10	İÇ AYDINLATMA LAMBASI	INTERIOR LIGHTING LAMP	PF6262DE-10	2
10A	DUY	SOCKET	PF6262DE-10A	2
10B	AMPÜL	LAMP	PF6262DE-10B	2
10C	LAMBA CAMI	LAMP GLASS	PF6262DE-10C	2
11	ELEKTRİK MONTAJ PANOSU	ELECTRICAL MOUNTING PANEL	PF6262DE-11	1
12	PANEL	PANEL	PF6262DE-12	1
13	İÇ AYDINLATMA ANAHTARI	INTERIOR LIGHTING BUTTON	PF6262DE-13	2
14	İÇ AYDINLATMA ANAHTARI KORUMASI	INTERIOR LIGHTING BUTTON PROTECTION	PF6262DE-14	2
15	TERMOSTAT KONTROL LAMBASI	THERMOSTAT CONTROL LAMP	PF6262DE-15	4
16	TERMOSTAT DÜĞMESİ	THERMOSTAT BUTTON	PF6262DE-16	4
17	TERMOSTAT	THERMOSTAT	PF6262DE-17	4
18	REZİSTANS	RESISTANCE	PF6262DE-18	8
19	M6 KÖR SOMUN	M6 BLIND NUT	PF6262DE-19	4
20	M6 DÜZ RONDELA	M6 FLAT WASHER	PF6262DE-20	4
21	M6 YAYLI RONDELA	M6 SPRING WASHER	PF6262DE-21	4
22	M6 İMBUS CİVATA	M6 İMBUS PIN BLOT	PF6262DE-22	8
23	İZOLASYON	INSULATION	PF6262DE-23	1
24	FIRIN AYAK	OVEN FOOT	PF6262DE-24	4
25	İKİ FAZLI PAKO ŞALTER	TWO PHASE INTERRUPTION SWITCH	PF6262DE-25	2
26	TERMOMETRE ( PF 6262 DE - T MODELİ İÇİN )	THERMOMETER ( ONLY WITH PF 6262 DE - T )	PF6262DE-26	2



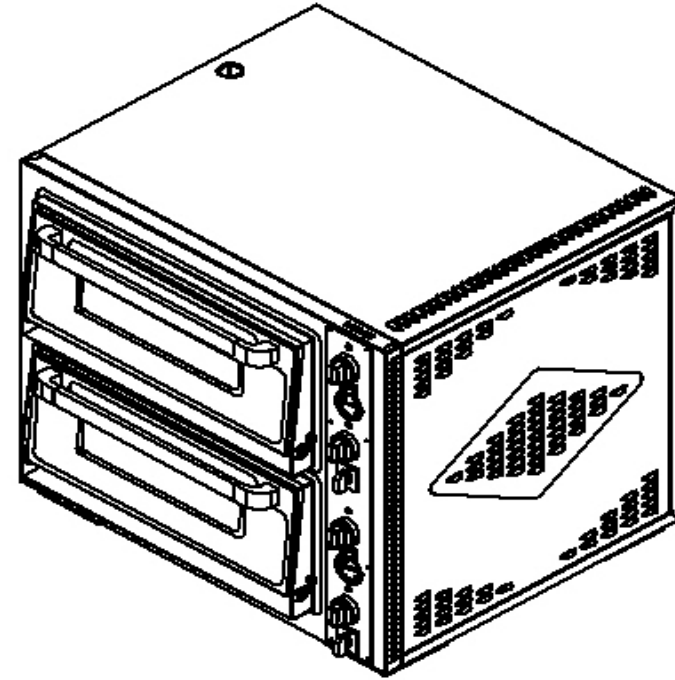
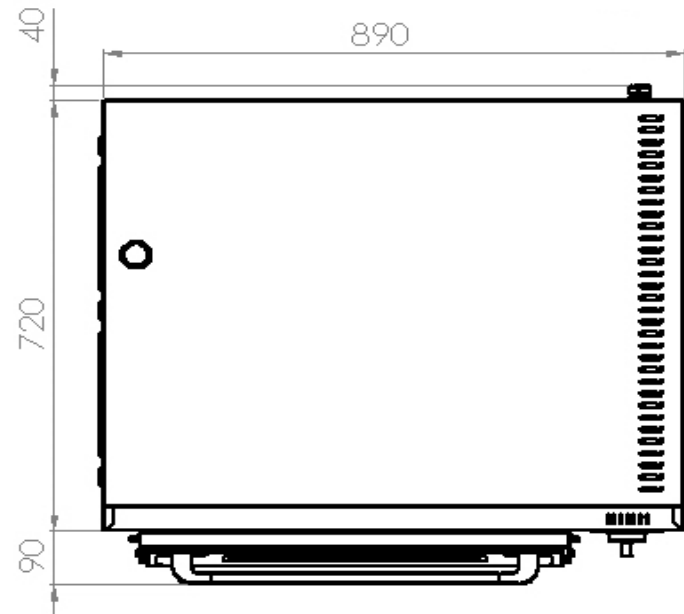
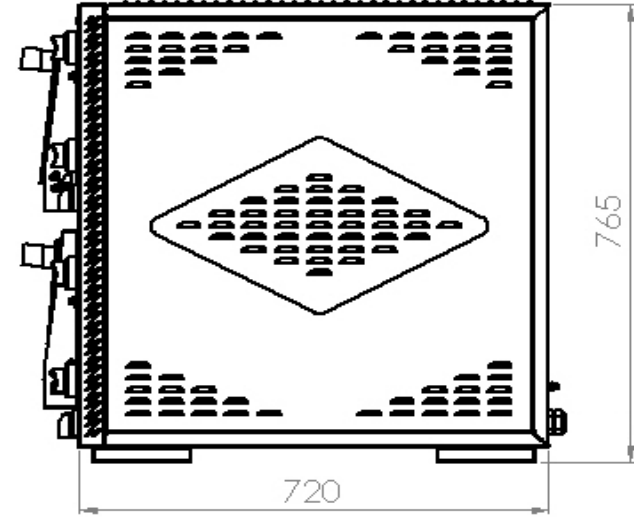
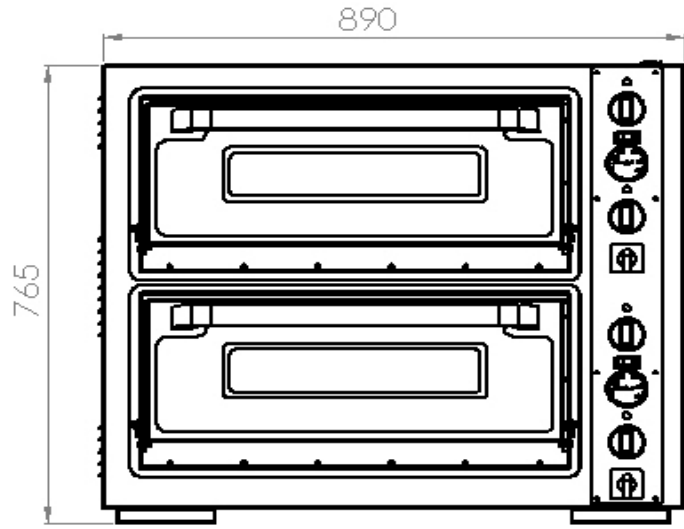
ÜRÜN ADI / PRODUCT

PF 6262 DE

TARİH / DATE

10.08.2018

DETAY RESİM LİSTESİ  
DETAIL PICTURE LISTSAYFA NO: 2 / 4  
PAGE NO.: 2 / 4



ÜRÜN ADI / PRODUCT

PF 6262 DE

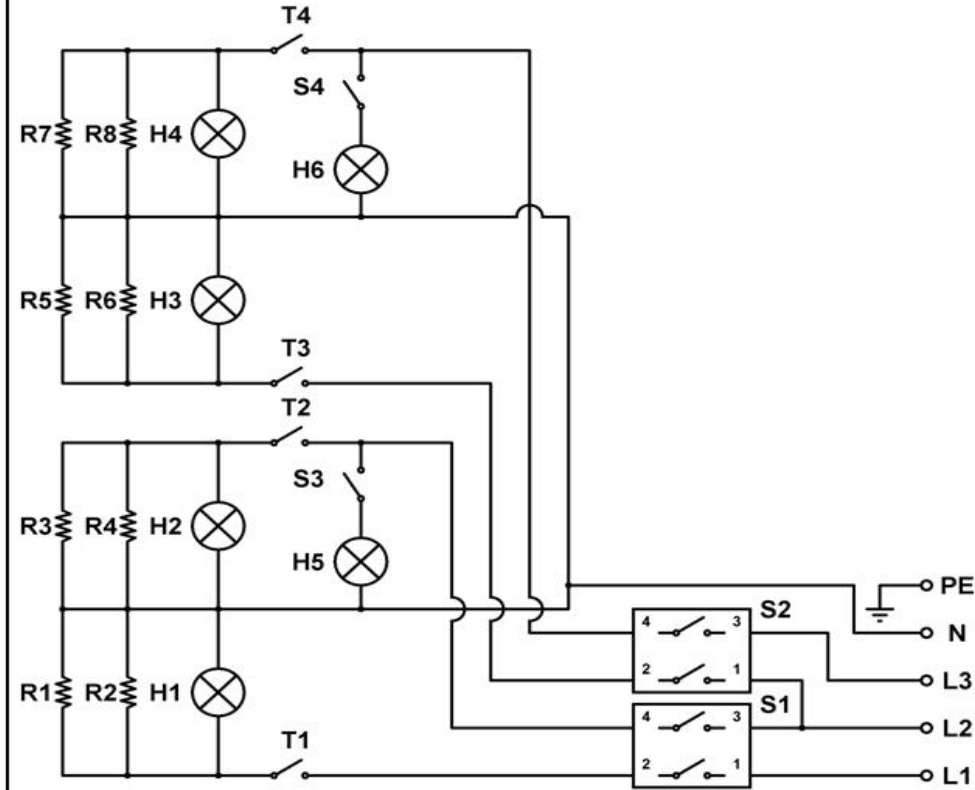
TARİH / DATE

10.08.2018

ÖLÇÜLENDİRME  
MEASUREMENTS

SAYFA NO: 3 / 4  
PAGE NO.: 3 / 4

PF 6262 DE PİZZA FIRINI - ELEKTRİK ŞEMASI  
PF 6262 DE PIZZA OVEN - ELECTRICAL DIAGRAM



NO	AÇIKLAMA / DESCRIPTION	NO	AÇIKLAMA / DESCRIPTION
R1 ... R8	Rezistans / Resistance ( 1250 W )	T1 - T2 - T3 - T4	Termostat / Thermostat ( 85 - 455 °C )
H1 - H2 - H3 - H4	Termostat Kontrol Lambası Thermostat Control Lamp	S1 - S2	İki Fazlı Pako Şalter Two Phase Interruption Switch
H5 - H6	İç Aydınlatma Lambası Interior Lighting Lamp ( 25W )	S3 - S4	Aydınlatma Anahtarı Lighting Switch ( T125 16A )



ÜRÜN ADI / PRODUCT

PF 6262 DE

TARİH / DATE

10.08.2018

ELEKTRİK ŞEMASI  
ELECTRICAL DIAGRAM

SAYFA NO: 4 / 4  
PAGE NO.: 4 / 4