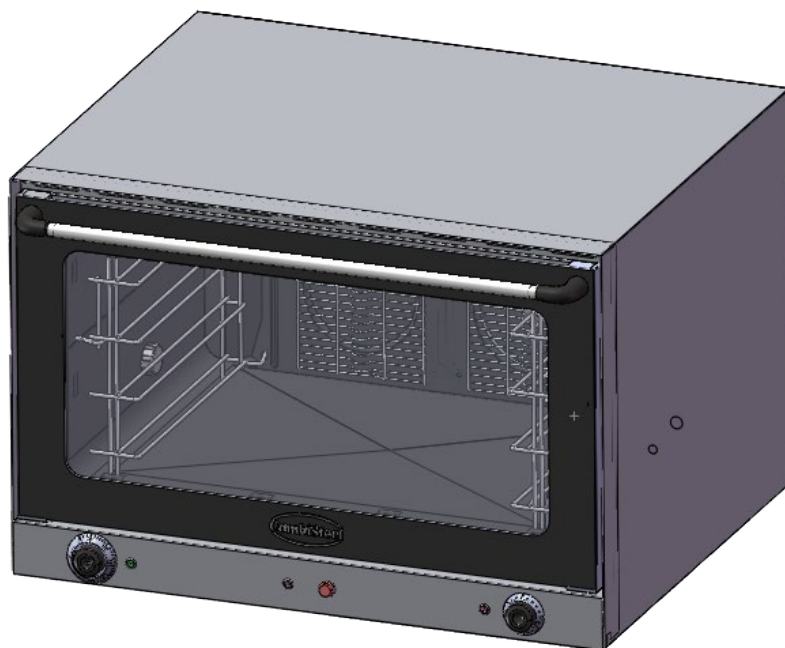




Convection Oven

CUBE SS-8

User Manual



Models:

7500.0030

CONTENT



.....	4
1. Functional Introduction	5
2. Structure Schematic Diagram & Working Principle	6
2.1 Structure Schematic Diagram:	6
2.2 Working Principle.....	6
2.3 Copyright Protection	6
3. Technical Parameters	6
4. Precautions & Recommendations	7
4.1 Operation Tips	7
4.2 Storage & Transport	7
4.3 Installation.....	7
5. Working Instructions & Operation Flow.....	8
6. Routine Inspection.....	9
7. Cleaning & Maintenance.....	9
8. Trouble Shooting	9
8.1 Electrical Diagram	9
8.2 Common Fault	10



.....	11
1. Functionele Introductie.....	12
2. Structuur Schema & Werkingsprincipe	13
2.1 Structuurschema:.....	13
2.2 Werkingsprincipe	13
2.3 Auteursrechtbescherming	13
3. Technische parameters	13
4. Voorzorgsmaatregelen & aanbevelingen	13
4.1 Gebruikstips.....	13
4.2 Opslag & Transport	14
4.3 Installatie.....	14
5. Werkinstructies & Bedieningsflow.....	15
6. Routine-inspectie.....	16
7. Reiniging & Onderhoud.....	16
8. Probleemoplossing	16
8.1 Elektrisch schema	16
8.2 Veelvoorkomende fouten.....	17



.....	18
1. Einführung in die Funktionen.....	19
2. Schematische Abbildung der Konstruktion & Funktionsweise.....	20
2.1 Schematische Abbildung der Konstruktion:.....	20
2.2 Funktionsweise:.....	20
2.3 Urheberrechtsschutz.....	20
3. Technische Parameter.....	20
4. Vorsichtsmaßnahmen & Empfehlungen.....	20
4.1 Tipps für den Betrieb.....	20
4.2 Lagerung & Transport.....	21
4.3 Installation/Montage.....	21
5. Arbeitsanweisungen & Arbeitsablauf.....	22
6. Routinemäßige Inspektion.....	23
7. Reinigung & Wartung.....	23
8. Fehlerbehebung.....	23
8.1 Elektrisches Diagramm.....	23
8.2 Allgemeine/Häufige Störungen.....	24



.....	25
1. Introduction fonctionnelle.....	26
2. Schéma de structure et principe de fonctionnement.....	27
2.1 Schéma de structure:.....	27
2.2 Principe de fonctionnement.....	27
2.3 Protection des droits d'auteur.....	27
3. Paramètres techniques.....	27
4. Précautions & Recommendations.....	27
4.1 Conseils d'utilisation.....	27
4.2 Stockage & Transport.....	28
4.3 Installation.....	28
5. Instructions de travail et flux de fonctionnement.....	29
6. Inspection de routine.....	30
7. Nettoyage et entretien.....	30
8. Dépannage.....	30
8.1 Schéma électrique.....	30
8.2 Faute commune.....	31



Dear User & Client,

Firstly, thanks for purchasing and using our product. All the information and guidelines of this user's manual comply with certain applicable regulations, which come out from our long-term accumulated knowledge and experience as well as current project development situations.

Limited to some special structures, additional specified items or new technology changes, the actual usage situation might be some different from what stated in this user's manual. Should you have any question, please do not hesitate to contact the manufacturer via the method shown in back cover page of this manual.

For safety purpose and efficient operation, please make this document available to users for reference. Do have them to read this manual carefully before carry out any action on this device, especially when starting.

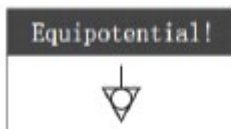
This manual is not applicable for those who have physical or mental disabilities, insufficient experience, and/or insufficient knowledge, including children.

The manufacturer declines any responsibility in the event users do not follow the instructions or guidelines stated here.

The user's manual should be placed close to the device, in convenience of users' reading before operation. We have the full authority to reserve the further technical changes of the device, in the scope of further performance improvement characteristic development.

Key to symbols:

In this manual, symbols are used to highlight important safety instructions and any advice relating to the device. The instructions should be followed very carefully to avoid any risk of accident, personal injury or property loss.





Warning

- Any self-modification, wrong installation, adjustment or maintenance can lead to property loss or casualty. Please contact the manufacturer for any adjustment or maintenance, and have the work done by a trained & qualified person.
- For your safety sake, please keep the machine away from any liquid, gas or other object, which is flammable or explosive.
- This appliance should not be operated by those who have physiological, perceptual or mental disabilities or those who have insufficient experience or knowledge (including children). Only in conditions of being given sufficient supervise & guarantee of personal safety, as well as proper instructions & guidance, those who were mentioned above can make some particular operation of this device.
- Keep children away from the device.
- Preserve this manual safely. When passing on/selling the device to a third party, the manuals must be handed over along with the device. All users must operate the device complying with the user's manual and related safety guidelines.
- Do not store or use gas, liquid or object that is flammable or explosive in the vicinity of the mounting position of the appliance.
- If this appliance is placed near walls, partitions or kitchen furniture and the like, it is advisable to make these facilities with non-combustible material, otherwise cover them with non-combustible heat-resistant material, and pay attention to fire prevention regulations.
- Do not use extra power supply that not marked on the product, nor do fittings that not conforming to safety standard.
- Never allow the power cord to come into contact with heat sources or sharp edges. The power cable must not be folded, bent or tangled. Do not dunk it into water. Never place the device or other objects on the power cable. If any anomaly occurs, stop using the device. If the power cable is damaged, have it replaced with one that complying with the local commercial electrical standard and requirement by an authorized service center or qualified electrician.
- If the product is failed or malfunctioning, shut down the device immediately and call for after-sale service.
- Only accessory or spare parts that have been recommended by the manufacturer can be used. Otherwise, the manufacturer takes no responsibility caused by this.
- Do not aim at the device with water jet for cleaning, nor do block the inlet/outlet of the device.
- Housing of the appliance must be grounded to ensure safety. Thanks for your cooperation!

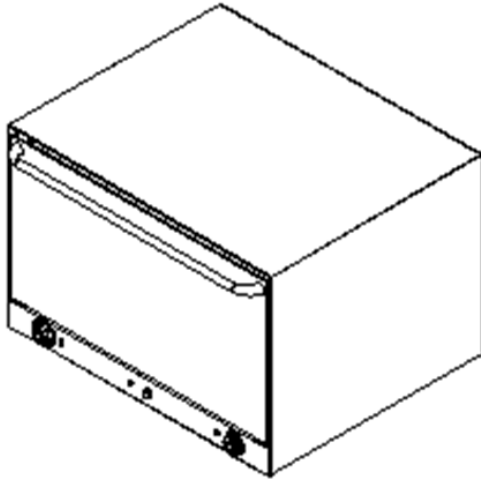
1. Functional Introduction

This product is manufactured by our company, which is combined with advantages from home and abroad. It is novel in design, reasonable in structure, easy in operation, all stainless steel made, durable in using and convenient in maintenance. It adopts hot air convection heating mode, with high thermal efficiency and uniform heating. Also, it is equipped with timer and thermostat, which can regulate the time and temperature according to various foods. With steam spray function, it can add vapor to food that needs keeping moist. The double-deck tempering glass door design, elegant and heat-insulated. There is a micro switch by the door, when the door opens, the fan will stop working immediately to prevent injure caused by hot steam gush. It is suitable for front court of supermarket and fast-food restaurant etc. to increase the customers' desire to purchase.



2. Structure Schematic Diagram & Working Principle

2.1 Structure Schematic Diagram:



2.2 Working Principle

1. Hot-air circulation: The motor drives the fan to blow the heat produced by energization of heating elements to everywhere in chamber to balance the temperature. The blown wind refluxes to the elements and will be blown to the chamber after heating. The procedure circulates to keep the chamber temperature constant and uniform.
2. Spray: Press the spray switch, the water will drop on the running fan and form a cloud of mist. The chamber is filled with droplets to keep the food moist.

2.3 Copyright Protection

The device complies with the current standards and directives of the countries allowing the sale of the product. The instruction manual including any texts, drawings, images or other illustrations is copyright. No part of this publication may be reproduced, transmitted or used in any form or by means without permission in writing from the manufacturer. Any person who commits any unauthorized act in relation to this publication shall be liable to claims for damages. All rights reserved.

3. Technical Parameters

Model	Dimensions (mm)	Chamber size (mm)	Power (kW)	Voltage (V/Hz)	Temp. (°C)	Heating element	Weight (kg)
CUBE SS-8	834×765×572	700×360×460	5.82-6.4	380-400/50	50-300	2	73



4. Precautions & Recommendations

4.1 Operation Tips

1. Installation and maintenance shall be done by professional technicians. If necessary, contact the technicians. Grounding connection of the device must comply with the local regulations. (Warning: Improper operation, installation or maintenance may cause property damage, injury or death etc.. Read this instruction manual thoroughly before installing, operating or servicing this equipment.)
2. All operators should observe the electric safety regulations strictly. Before using, making sure that the power voltage complies with that on the nameplate and the grounding is safe.
3. All operations should be done only in safe condition. If any failure occurs, have it repaired immediately.
4. This product needs to be operated by trained cook. Do not dismantle or self-modify the machine. Dismantlement and self-modification may cause casualty.
5. Before cleaning, unplug and cut off the power supply. During cleaning, do not aim at the appliance with water jet. Water may conduct electricity, that may cause electric shock due to leakage.
6. Do not pat the product or put any heavy objects onto it. Abnormal operation may cause damage and danger. Do not touch the appliance with hands directly due to high temperature during or after operation, especially the hot area with high temperature which may cause scald.
7. Do not use extra power supply that not marked on the product.
8. Do not use power knife that not conforming to safety standard.
9. To prevent damage, turn off the switch ASAP when near the thunder zone.
10. Do not destroy the furnace surfaces with hard or sharp objects.
11. After working, turn off the switch.
12. Circuit installation and maintenance shall be done by qualified technicians.
13. If the power cord is damaged, to avoid hazard, substitution should be done by manufacturer or its maintenance department or similar professional personnel.
14. Do not aim at the electrical box with water directly, nor do immerse it into water for cleaning.

4.2 Storage & Transport

1. The packaged device should be stored in a well-ventilated warehouse without any corrosive gas instead of exposing to the open air. Should any temporary storage needed, please take measurement against raining.
2. For safety sake, this device has already been checked by qualified personnel before transportation. Please take care when handling it. Please check the delivery upon completeness and transport damage immediately after receipt. In case of visible damage, do not accept. The carrier takes full responsibility for the damages caused during transportation. Hidden damages should be reclaimed immediately after notice, as claims for damages can only asserted within the effective period for complaints.
3. During transportation, the machine should be carefully handled, do not put it upside down to prevent from damaging the shell and inside.

4.3 Installation

1. The supply voltage should comply with the working voltage of the appliance. The appliance is equipped with copper equipotential terminals at lower back of the box, which should be connected with copper wire no less than 1.5mm² reliably as prescribed. After installation, check that whether the connection is loose, whether the voltage is normal and whether the safety grounding is reliable. The fixed arrangement of wire should be equipped with an all-pole disconnecting switch with a contact opening of 3mm on its poles. It is advisable to install a grounding leakage protection switch or relay that with a leakage peak of 10mA. Mounting space for the device shall be at least: 1500x850x530 mm (LxWxH). Unpack the device and place it on the floor.



2. Electrical Connection:

- The supply voltage should comply with the working voltage of the appliance.
- The appliance is equipped with an earth bolt at its back, which should be connected with copper wire no less than 1.5mm² and earth wire that conforming to safety regulations reliably.
- The fixed arrangement of wire should be equipped with an all-pole disconnecting switch with a contact opening of 3mm on its poles. It is advisable to install a grounding leakage protection switch. Do not pile up sundries in front of the switch, for convenient operation sake.

3. Water Connection:

- Connect the ½" water pipe to the solenoid valve at rear of the appliance. Note: To prevent leakage or being burst through by water, connection should be reliable.
- To remove the iron scale in the pipe, flush some water into the pipe. Water hardness should be 0.5°-5° (to reduce water scaling) and the pressure shall be 50-200kPa.

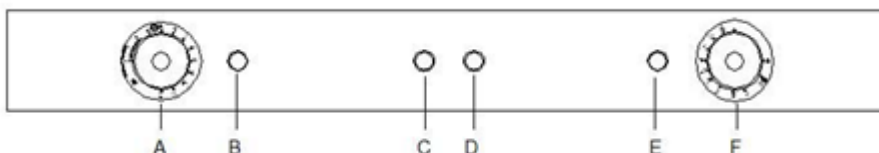
5. Working Instructions & Operation Flow

1. Before using, check that whether the power installation is correct and make sure that the supply voltage complies with the working voltage of the appliance.
2. Connect the power, turn the timer to manual level and rotate the thermostat to 200°C to heat for about 10 minutes. (For initial use, please clean the chamber with hot water, then heat for 30 minutes in 200°C to eliminate the odor of insulator.)
3. Open the door and put the baking trays with prepared food onto the rack inside. Then close the door, rotate the thermostat to desired temperature and set the timer to desired time. (When the food is in, please make sure that distance between the bottom of upper tray and the top of next tray is in at least 40mm for hot-air circulation.)
4. If the food needs keeping moist, turn on the spray switch during cooking to add appropriate vapor. If the spray function is used, the chamber temperature should be at least 120°C. The amount of vapor depends on the time holding the spray switch. However, the holding time should not exceed 5s.
5. When time is up, the device will shut down automatically. Then take out the food.

Note:

- Do not touch the appliance during operation or heating due to high temperature. Caution burnt when dealing with food.
- Have your protective gloves worn during operation to prevent scald.
- During baking, leave some space among the food for air convection. Do not lay aside too closely. The max capacity is 10kg.

Control Schematic Diagram:



“A”: timer, to control the power supply and the power-on hours.

“B”: power indicator, to display whether the power is connected.

“C”: spray indicator, to display the spray condition.

“D”: spray switch, push down to start spraying and release to stop.

“E”: working indicator, to display the working condition of heating elements.

“F”: thermostat, to control the internal temperature, the max temperature is 300°C.



6. Routine Inspection

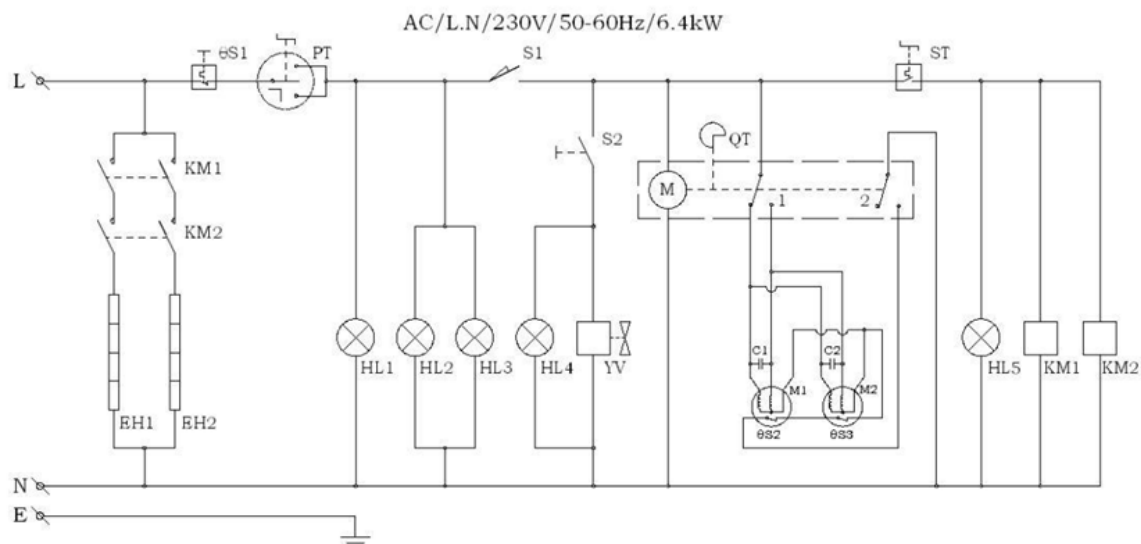
1. Stop using if user feels that there are some problems in the pipeline or machine.
2. Check the situation of the machine before or after using every day.
3. Check that whether the machine is tilted before using.
4. Check that whether the control panel is damaged.
5. Check that whether there is strange odor or smell during using.
6. Check that whether there is vibration noise.

7. Cleaning & Maintenance

1. Before cleaning, cut off the power and have the work done after the device cools down to prevent unexpected accidents.
2. Open the door and take out the internal racks. Clean them with water and detergent.
3. After working every day, clean the internal and external surfaces, chamber and power cord surface with a wet towel containing non-corrosive detergent. Do not spray the machine with water directly, which may damage its electrical property and cause electricity safety accidents.
4. After cleaning, install the racks back. Then turn on the power and rotate the thermostat to about 80°C to dry the machine. If not going to use the appliance at any time, turn off the thermostat and power switch.
5. If not going to use the appliance for a long period of time, clean it completely and store it in a well-ventilated warehouse without corrosive gases.
6. Do not clean the appliance with spray pipe.

8. Trouble Shooting

8.1 Electrical Diagram



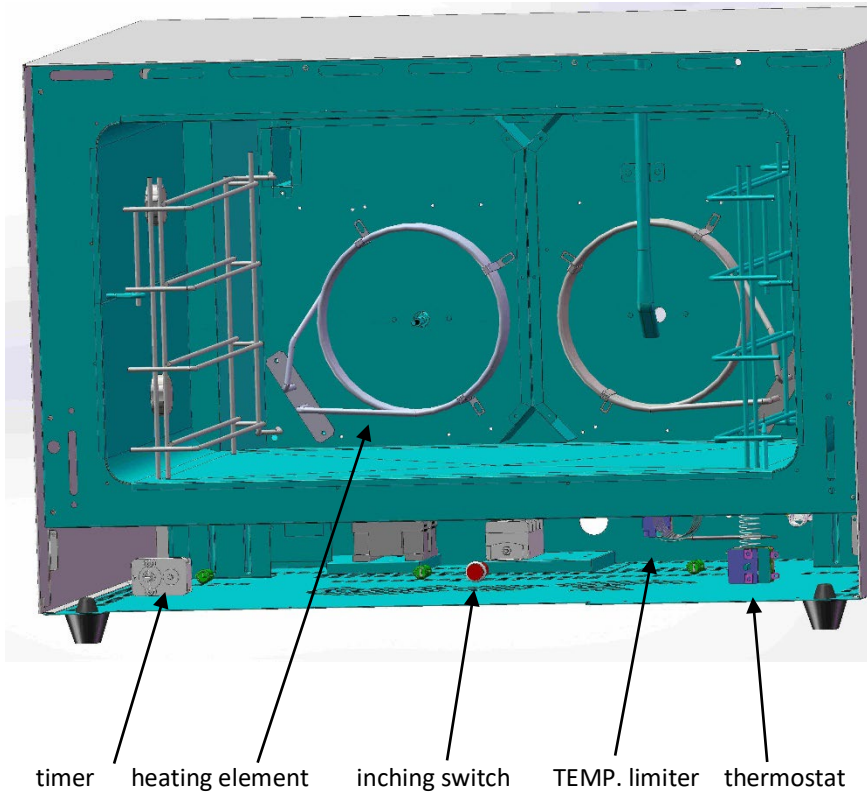
KM1, KM2 - A.C. contactor
EH1, EH2 - Heating element
θS1 - Over-temp. protector
PT - Timer
S1 - Door switch
S2 - Inlet switch

QT - Program controller
C1, C2 - Capacitor
HL1 - Power indicator
HL2, HL3 - Chamber lamp
HL4 - Inlet indicator
YV - Inlet solenoid valve

M1, M2 - Fan motor
θS2, θS3 - Thermal breaker
ST - Thermostat
HL5 - Heating indicator



8.2 Common Fault



Symptoms	Causes	Solutions
The grounding leakage protective device trips.	The electrical component leaks.	Check out the leakage component, repair or replace it.
The heating-up time is too long.	<ol style="list-style-type: none"> 1. The supply voltage is too low. 2. The power fuse is open-circuit and lack of phase. 3. The fan or the heating element is defective. 	<ol style="list-style-type: none"> 1. Replace the fuse. 2. Replace the fan or heating element.
It does not heat up or heats up without stop.	<ol style="list-style-type: none"> 1. The thermostat is malfunctioning. 2. The door is not closed well. 	<ol style="list-style-type: none"> 1. Repair or replace the thermostat. 2. Close the door again.
The fan does not work.	<ol style="list-style-type: none"> 1. The motor is defective. 2. The travel switch is defective. 	<ol style="list-style-type: none"> 1. Repair or replace the motor. 2. Replace the travel switch.

Aforementioned troubles are just for reference. If any failure occurs, please stop using and inform the professional technicians to check and repair.



Geachte Gebruiker & Klant,

Allereerst bedankt voor het kopen en gebruiken van ons product. Alle informatie en richtlijnen in deze gebruikershandleiding voldoen aan bepaalde toegepaste voorschriften, die voortkomen uit onze kennis en ervaring die we op lange termijn hebben opgebouwd en uit de huidige situatie van projectontwikkeling.

Beperkt tot een aantal speciale structuren, extra specifieke items of nieuwe technologische wijzigingen, kan de werkelijke gebruikssituatie afwijken van wat in deze gebruikershandleiding wordt vermeld. Als u vragen heeft, aarzel dan niet om contact op te nemen met de fabrikant via de methode die wordt getoond op de achterkant van deze handleiding.

Maak dit document ter wille van de veiligheid en efficiënt gebruik beschikbaar voor gebruikers. Laat ze deze handleiding aandachtig lezen voordat ze enige actie op dit apparaat uitvoeren, vooral bij het opstarten.

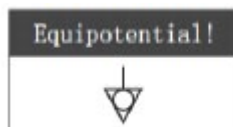
Deze handleiding is niet van toepassing voor personen met een lichamelijke of geestelijke handicap, onvoldoende ervaring en/of onvoldoende kennis, waaronder kinderen.

De fabrikant wijst elke verantwoordelijkheid af in het geval dat gebruikers de instructies of richtlijnen die hier worden vermeld niet volgen.

De gebruikershandleiding moet dicht bij het apparaat worden bewaard, zodat gebruikers die gemakkelijk kunnen lezen voor gebruik. We hebben de volledige bevoegdheid om verdere technische wijzigingen van het apparaat te voorzien, in het kader van een verdere ontwikkeling van de prestatieverbeteringskenmerken

Uitleg van symbolen:

In deze handleiding worden symbolen gebruikt om belangrijke veiligheidsinstructies en elk advies met betrekking tot het apparaat te benadrukken. De instructies moeten zeer zorgvuldig worden opgevolgd om elk risico op ongelukken, lichamelijk letsel of verlies van eigendommen te voorkomen.





Waarschuwing

- Elke zelfaanpassing, verkeerde installatie, aanpassing of onderhoud kan leiden tot verlies van eigendom of ongeval. Neem contact op met de fabrikant voor aanpassingen of onderhoud en laat het werk uitvoeren door een getrainde en gekwalificeerde persoon.
- Houd de machine uit veiligheidsoverwegingen uit de buurt van vloeistoffen, gassen of andere objecten die ontvlambaar of explosief zijn.
- Dit apparaat mag niet worden gebruikt door personen met fysiologische, perceptuele of mentale beperkingen of personen met onvoldoende ervaring of kennis (incl. kinderen). Alleen onder de voorwaarden om voldoende toezicht te houden en de persoonlijke veiligheid te garanderen, evenals de juiste instructies en begeleiding, kunnen degenen die hierboven werden genoemd de werking van dit apparaat uitvoeren.
- Houd kinderen uit de buurt van het apparaat.
- Bewaar deze handleiding veilig. Bij overdracht/verkoop van het apparaat aan een derde partij, moeten de handleidingen samen met het apparaat worden overgedragen. Alle gebruikers moeten het apparaat bedienen volgens de gebruikershandleiding en de bijbehorende veiligheidsrichtlijnen
- Bewaar of gebruik geen gas, vloeistof of voorwerpen die ontvlambaar of explosief zijn in de buurt van de montagepositie van het apparaat.
- Als dit apparaat in de buurt van muren, scheidingswanden of keukenmeubilair en dergelijke wordt geplaatst, is het raadzaam deze voorzieningen te maken met onbrandbaar materiaal, anders te bedekken met onbrandbaar hittebestendig materiaal en aandacht te besteden aan brandpreventie-voorschriften.
- Gebruik geen extra voeding die niet is gemarkeerd op het product, en ook geen fittingen die niet voldoen aan de veiligheidsnormen.
- Laat het netsnoer nooit in contact komen met warmtebronnen of scherpe randen. De voedingskabel mag niet worden gevouwen, gebogen of verward. Dompel het niet onder in water. Plaats het apparaat of andere objecten nooit op het netsnoer. Als er zich een anomalie voordoet, stop dan met het gebruik van het apparaat. Als het netsnoer is beschadigd, laat het dan vervangen door een apparaat dat voldoet aan de plaatselijke commerciële elektrische norm en de vereiste door een geautoriseerd service-centrum of een gekwalificeerde elektricien.
- Als het product defect is of niet goed functioneert, sluit het apparaat dan onmiddellijk af en neem contact op met de klantenservice.
- Alleen accessoires of reserveonderdelen die door de fabrikant zijn aanbevolen, kunnen worden gebruikt. Anders neemt de fabrikant geen verantwoordelijkheid als gevolg hiervan.
- Gebruik geen waterstralen bij het apparaat voor schoonmaak, en blokkeer de in-/uitlaat van het apparaat niet.
- De behuizing van het apparaat moet geaard worden om de veiligheid te garanderen. Bedankt voor uw medewerking!

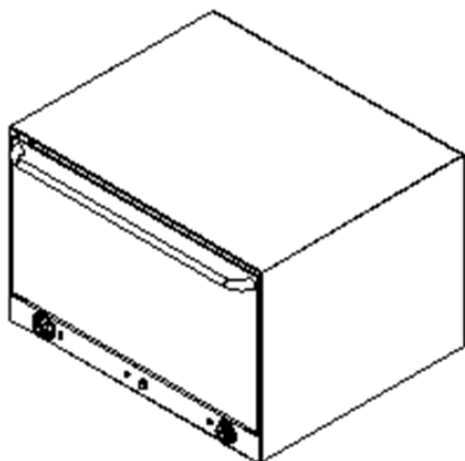
1. Functionele Introductie

Dit product is ontwikkeld door ons bedrijf dat expertise uit zowel binnen- als buitenland combineert. Het heeft een nieuw ontwerp, een doordachte structuur, is gemakkelijk te bedienen, gemaakt van roestvrij staal, duurzaam in gebruik en gemakkelijk in onderhoud. Het verwarmt met hete lucht convectie, met een hoog thermisch rendement en gelijkmatige warmteverdeling. Het is tevens voorzien van een timer en thermostaat, die de tijd en temperatuur afhankelijk van het gerecht kunnen regelen. Met de stoomnevelfunctie kan er damp worden toegevoegd aan gerechten die vochtig moeten blijven. De elegante dubbele glazen deur is warmte-isolerend. Een microscharnelaar bij de deur zorgt ervoor dat de ventilator direct stopt bij het openen om letsel door hete stoom te voorkomen. Het is geschikt voor gebruik op het voorplein van supermarkten en fastfoodrestaurants om het koopverlangen van klanten te vergroten.



2. Structuur Schema & Werkingsprincipe

2.1 Structuurschema:



2.2 Werkingsprincipe

1. Hete luchtcirculatie: De motor drijft de ventilator aan om de warmte die wordt geproduceerd door bekrachtiging van verwarmingselementen naar overal in de kamer te blazen om de temperatuur in balans te houden. De geblazen wind refluxeert naar de elementen en zal na verwarming naar de kamer worden geblazen. De procedure circuleert om de kamertemperatuur constant en uniform te houden.
2. Spuiten: Druk op de sproei-schakelaar, het water zal op de draaiende ventilator vallen en een wolk van mist vormen. De kamer is gevuld met druppels om het voedsel vochtig te houden.

2.3 Auteursrechtbescherming

Het apparaat voldoet aan de huidige normen en richtlijnen van de landen die de verkoop van het product toestaan. De handleiding inclusief alle teksten, tekeningen, afbeeldingen of andere illustraties is auteursrechtelijk beschermd. Geen enkel deel van deze publicatie mag worden gereproduceerd, overgedragen of gebruikt in welke vorm of door middel zonder schriftelijke toestemming van de fabrikant. Elke persoon die enige ongeoorloofde handeling begaat met betrekking tot deze publicatie is aansprakelijk voor schadeclaims. Alle rechten voorbehouden.

3. Technische parameters

Model	Afmetingen (mm)	Afmeting kamer (mm)	Vermogen (kW)	Voltage (V/Hz)	Temp. (°C)	Verwarmings-element	Gewicht (kg)
CUBE SS-8	834×765×572	700×360×460	5.82-6.4	380-400/50	50-300	2	73

4. Voorzorgsmaatregelen & aanbevelingen

4.1 Gebruikstips

1. Installatie en onderhoud moeten door gekwalificeerde technici worden uitgevoerd. Neem indien nodig contact op met de technici. De aarding van het apparaat moet voldoen aan de plaatselijke voorschriften. (Let op: Onjuiste installatie, bediening of onderhoud kan schade aan eigendommen, letsel of de dood veroorzaken. Lees deze gebruiksaanwijzing grondig door voordat u dit apparaat installeert, bedient of onderhoudt).



2. Alle gebruikers moeten de elektrische veiligheidsvoorschriften strikt naleven. Controleer voor gebruik of de voedingsspanning overeenkomt met de spanning op het typeplaatje en of de aarding correct is.
3. Alle handelingen mogen alleen in veilige omstandigheden worden uitgevoerd. Als er een storing optreedt, laat deze dan onmiddellijk repareren.
4. Enkel een getrainde kok dient dit product te bedienen. Demonteer of pas het apparaat niet zelf aan, omdat dit ongelukken kan veroorzaken. Ontkoppel het apparaat en schakel de stroomtoevoer uit voordat u begint met schoonmaken. Richt geen waterstraal op het apparaat tijdens het reinigen, aangezien water elektriciteit geleidt en een elektrische schok kan veroorzaken door lekkage.
5. Sla niet op het apparaat en plaats er geen zware voorwerpen op. Abnormale werking kan schade en gevaar veroorzaken.
6. Pas op voor brandwonden door hoge temperaturen. Raak het apparaat niet rechtstreeks met de handen aan vanwege de hoge temperatuur tijdens of na gebruik.
7. Gebruik geen extra voedingsbronnen die niet voor het product zijn bedoeld.
8. Gebruik geen mes dat niet voldoet aan de veiligheidsnormen.
9. Schakel de elektrische schakelaar zo snel mogelijk uit wanneer u zich in de buurt van een onweerszone bevindt om schade te voorkomen.
10. Beschadig de ovenoppervlakken niet met harde of scherpe voorwerpen.
11. Zet de schakelaar na het werken uit.
12. De installatie en het onderhoud van het circuit moeten worden uitgevoerd door gekwalificeerde technici.
13. Als het netsnoer beschadigd is, moet het om gevaar te voorkomen door de fabrikant of zijn onderhouds-afdeling of soortgelijk professioneel personeel worden vervangen.
14. Richt niet rechtstreeks met water op het elektriciteitskastje en dompel niet in water om het schoon te maken.

4.2 Opslag & Transport

1. Het verpakte apparaat moet worden bewaard in een goed geventileerd magazijn zonder corrosief gas in plaats van bloot staan in de buitenlucht. Mocht er tijdelijke opslag nodig zijn, bescherm dan tegen regen.
2. Uit veiligheidsoverwegingen is dit apparaat al vóór het transport gecontroleerd door gekwalificeerd personeel. Wees voorzichtig bij het gebruik ervan. Controleer de levering op volledigheid en transportschade onmiddellijk na ontvangst. In het geval van zichtbare schade, accepteer dit niet. De vervoerder neemt de volledige verantwoordelijkheid voor de schade veroorzaakt tijdens het transport. Verborgen schade moet onmiddellijk na kennisgeving worden teruggevorderd, omdat schadeclaims alleen binnen de effectieve periode voor klachten kunnen gelden.
3. Tijdens het transport moet de machine voorzichtig worden gehanteerd, niet ondersteboven worden geplaatst om beschadiging van de schaal en de binnenkant te voorkomen.

4.3 Installatie

1. De voedingsspanning moet overeenkomen met de werkspanning van het apparaat. Het apparaat is uitgerust met koperen equipotentiaalaansluitingen aan de onderkant van de kast, die op de voorgeschreven manier met minstens 1,5 mm² koperdraad moet worden verbonden. Controleer na de installatie of de verbinding los is, of de spanning normaal is en of de veiligheidsaarding betrouwbaar is. De vaste opstelling van de draad moet worden uitgerust met een meerpolige scheidingsschakelaar met een contactopening van 3 mm op de polen. Het is raadzaam om een aardlekschakelaar of relais te installeren met een lek piek van 10mA. De montageruimte voor het apparaat moet ten minste: 1500x850x530 mm (LxBxH) zijn. Pak het apparaat uit en plaats het op de grond.
2. Elektrische aansluiting:
 - Zorg ervoor dat de voedingsspanning overeenkomt met de werkspanning van het apparaat.
 - Het apparaat is uitgerust met een aardingsbout aan de achterkant, die moet worden aangesloten met koperdraad van minstens 1,5 mm² en aardingsdraad die voldoet aan de veiligheidsvoorschriften.
 - De vaste bedrading moet voorzien zijn van een tweepolige schakelaar met een contactopening van 3 mm op de polen. Het is raadzaam om een aardlekschakelaar te installeren. Plaats geen voorwerpen voor de schakelaar om gemakkelijke bediening te garanderen.



3. Wateraansluiting:

- Sluit de 1/2"-waterleiding aan op de magneetklep aan de achterkant van het apparaat.
Opmerking: Om lekkage of doorboring door water te voorkomen, moet de aansluiting betrouwbaar zijn.
- Spoel wat water door de leiding om ijzerkalk te verwijderen. De waterhardheid moet tussen 0,5° en 5° liggen (om kalkaanslag te verminderen), en de waterdruk moet tussen 50-200 kPa zijn.

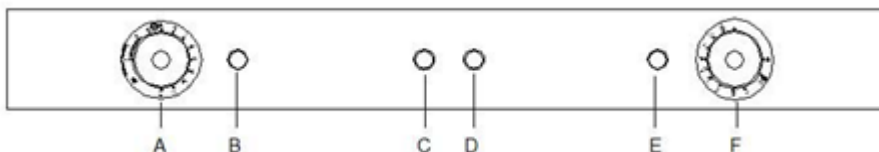
5. Werkinstructies & Bedieningsflow

1. Controleer vóór gebruik of de stroominstallatie correct is en zorg ervoor dat de voedingsspanning overeenkomt met de werkspanning van het apparaat.
2. Sluit de stroom aan, schakel de timer in op handmatige bediening en stel de thermostaat in op 200 °C voor een verwarmingsduur van ongeveer 10 minuten. (Voor het eerste gebruik wordt aanbevolen om de binnenruimte met warm water te reinigen en vervolgens gedurende 30 minuten op 200 °C te verwarmen om eventuele geur van isolatiemateriaal te elimineren).
3. Open de deur en plaats de bakplaten met bereid voedsel op het rek binnenin. Sluit vervolgens de deur, draai de thermostaat op de gewenste temperatuur en stel de timer in op de benodigde tijd. (Bij het plaatsen van een gerecht, zorg ervoor dat de afstand tussen de onderkant van de bovenste bakplaat en de bovenkant van de onderstaande bakplaat minstens 40 mm bedraagt om de circulatie van hete lucht mogelijk te maken).
4. Indien het gerecht vochtig moet blijven, schakel dan tijdens het koken de sproeischaakelaar in om de juiste hoeveelheid damp toe te voegen.
5. Als de sproeifunctie wordt gebruikt, moet de kamertemperatuur minstens 120°C zijn.
6. De hoeveelheid vrijgegeven damp wordt bepaald door de tijd waarop de sproeischaakelaar wordt ingedrukt. Echter, de wachttijd mag niet langer zijn dan 5 seconden.
7. Als de tijd voorbij is, schakelt het apparaat automatisch uit. Haal vervolgens het gerecht uit de oven.

Opmerking:

- Raak het apparaat niet aan tijdens het gebruik of het opwarmen vanwege de hoge temperatuur. Wees voorzichtig met warme gerechten.
- Draag tijdens het gebruik beschermende ovenwanten om verbranding te voorkomen.
- Laat tijdens het bakken wat ruimte tussen het gerecht voor de luchtconvectie. Vermijd een te volle oven. De maximale belasting is 10 kg.

Bedieningschema:



"A": timer, om de stroomtoevoer en bedrijfsuren te regelen.

"B": stroomindicator, om aan te geven of de stroom is aangesloten.

"C": sproei-indicator, om de sproeistoestand weer te geven.

"D": sproeischaakelaar, indrukken om het sproeien te starten en loslaten om te stoppen.

"E": werkindicator, om de werking van de verwarmingselementen weer te geven.

"F": thermostaat, om de interne temperatuur te regelen, de maximumtemperatuur is 300°C.



6. Routine-inspectie

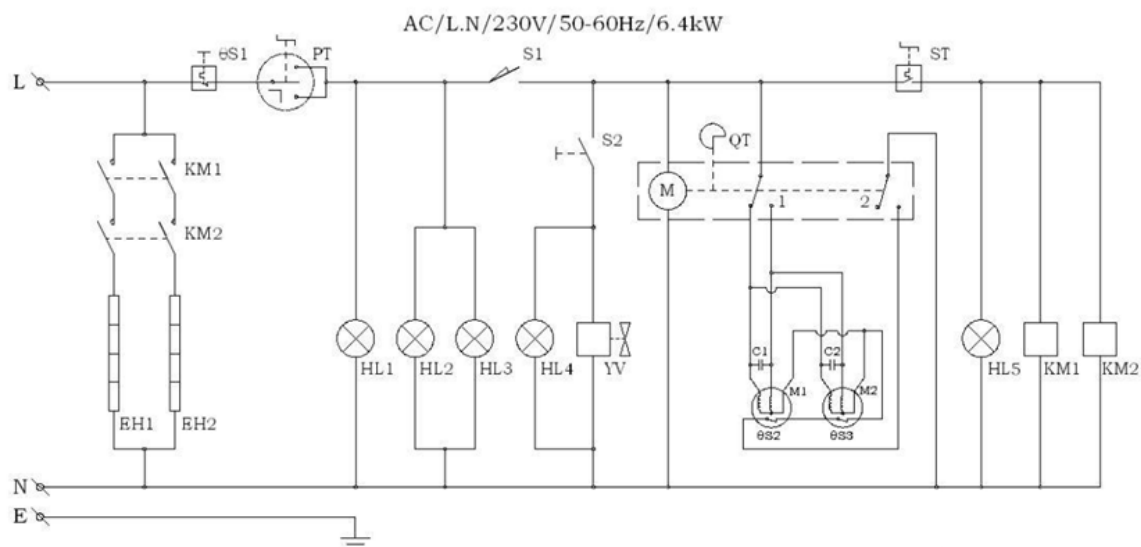
1. Stop met gebruiken als de gebruiker van mening is dat er problemen zijn in de pijplijn of de machine.
2. Controleer de situatie van het apparaat vóór of na het dagelijks gebruik.
3. Controleer of de machine voor gebruik gekanteld is.
4. Controleer of het bedieningspaneel beschadigd is.
5. Controleer of er vreemde geur of geur is tijdens het gebruik.
6. Controleer of er trilling geluid is.

7. Reiniging & Onderhoud

1. Schakel de stroom uit voordat u begint met reinigen en wacht tot het apparaat is afgekoeld om ongelukken te vermijden.
2. Open de deur en verwijder de interne rekken. Reinig ze met water en afwasmiddel.
3. Maak na elke werkdag de binnen- en buitenkant, de bereidingskamer en het oppervlak van het netsnoer schoon met een vochtige handdoek met een niet bijtend schoonmaakmiddel. Spuit de machine niet rechtstreeks met water af. Dit kan de elektrische eigenschappen beschadigen en ongelukken met de elektrische veiligheid veroorzaken.
4. Plaats de rekken terug na het reinigen. Schakel de stroom in en stel de thermostaat in op ongeveer 80°C om de machine te drogen. Zet de thermostaat en de aan/uit-schakelaar uit wanneer het apparaat gedurende langere tijd niet wordt gebruikt.
5. Indien u het apparaat gedurende langere tijd niet zult gebruiken, maak het dan volledig schoon en bewaar het in een goed geventileerd magazijn, vrij van corrosieve dampen.
6. Maak het apparaat niet schoon met een spuitpijp.

8. Probleemoplossing

8.1 Elektrisch schema



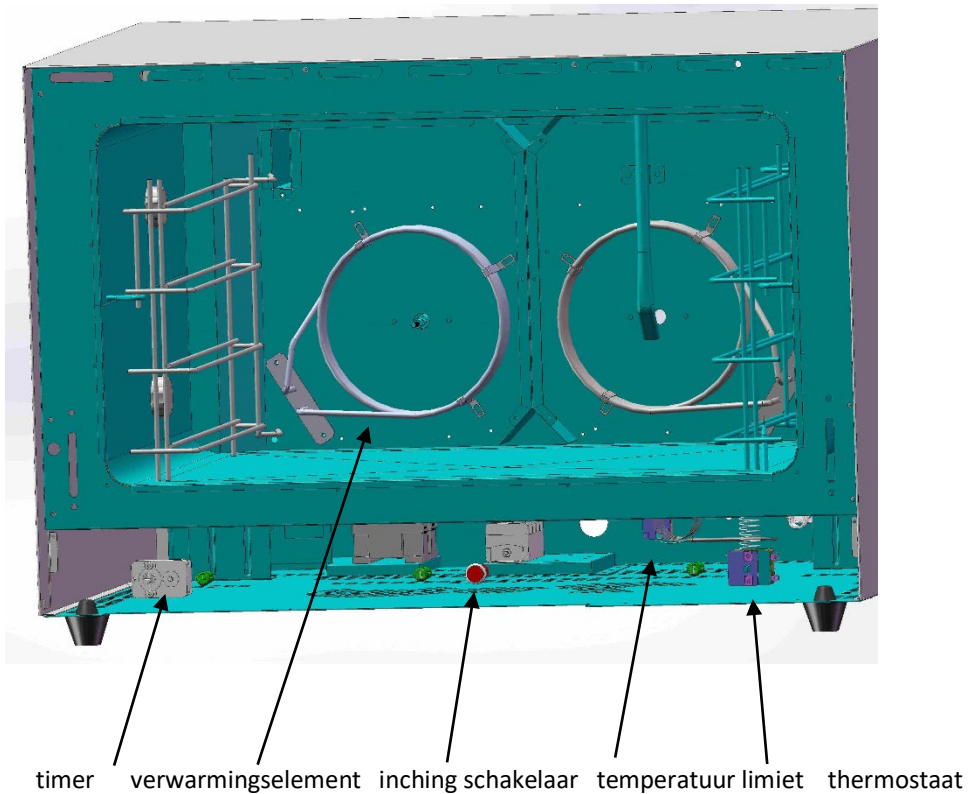
KM1, KM2-
Wisselstroomschakelaar
EH1, EH2- Verwarmingselement
θS1 - Overtemperatuurbeveiliging
PT - Timer
S1 - Deurschakelaar

S2 - Toevoerschakelaar
QT - Program controller
C1, C2 - Capacitor
HL1 - Stroomindicator
HL2, HL3 - Ovenlamp
HL4 - Inlaatindicator

YV - Magneetklep inlaat
M1, M2 - Ventilatormotor
θS2, θS3 - Thermische
onderbreker
ST - Thermostaat
HL5 - Verwarmingsindicator



8.2 Veelvoorkomende fouten



Symptomen	Oorzaken	Oplossingen
De aardlekbeveiliging schakelt uit.	De elektrische component lekt.	Controleer het lekke onderdeel, repareer of vervang het.
De opwarmtijd is te lang.	<ol style="list-style-type: none"> 1. De voedingsspanning is te laag. 2. De stroomzekering is open-circuit en heeft geen fase. 3. De ventilator of het verwarmingselement is defect. 	<ol style="list-style-type: none"> 1. Vervang de zekering. 2. Vervang de ventilator of het verwarmingselement.
Het apparaat warmt niet op of blijft continu verwarmen.	<ol style="list-style-type: none"> 1. De thermostaat werkt niet goed. 2. De deur is niet goed gesloten. 	<ol style="list-style-type: none"> 1. Repareer of vervang de thermostaat. 2. Sluit de deur weer.
De ventilator werkt niet.	<ol style="list-style-type: none"> 1. De motor is defect. 2. De schakelaar is defect.. 	<ol style="list-style-type: none"> 1. Repareer of vervang de motor. 2. Vervang de schakelaar.

De hierboven genoemde problemen zijn slechts ter referentie. Als er een storing optreedt, stop dan met gebruiken en informeer de professionele technici om te controleren en te repareren.



Liebe Benutzer & Kunden,

Zunächst bedanken wir uns für den Kauf und die Nutzung unseres Produkts. Sämtliche Informationen und Richtlinien in dieser Bedienungsanleitung entsprechen bestimmten, geltenden Vorschriften, die sich auf unser langjährig erworbenes Wissen und Erfahrung, sowie aus Umständen bei aktuellen Projektentwicklungen ergeben.

Aufgrund von besonderen Konstruktionen, zusätzlich bestimmte Gegenstände oder Veränderungen durch neue Technologien, kann die tatsächliche Nutzung, von der in der Bedienungsanleitung beschriebenen, abweichen. Sollten bei Ihnen irgendwelche Fragen auftreten, setzen Sie sich mit dem Hersteller, in der auf der Rückseite dieser Anleitung beschriebenen Form, in Verbindung.

Stellen Sie den Benutzern dieses Dokument aus Sicherheitsgründen und für eine optimale Nutzung zum Nachschlagen zur Verfügung. Lassen Sie sie diese Anleitung sorgfältig durchlesen, bevor Sie dieses Gerät benutzen, besonders vor der Inbetriebnahme.

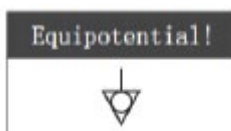
Diese Bedienungsanleitung ist nicht für jene mit körperlichen oder mentalen Einschränkungen, unzureichender Erfahrung und/oder unzureichenden Kenntnissen, einschließlich Kinder, geeignet.

Der Hersteller übernimmt keine Haftung, falls die Benutzer, die hier aufgeführten Anweisungen oder Richtlinien nicht befolgen.

Die Bedienungsanleitung sollte in der Nähe des Geräts aufbewahrt werden, damit die Benutzer sie bequem vor der Inbetriebnahme durchlesen können. Wir behalten uns das Recht vor, weitere technische Veränderungen am Gerät vorzunehmen, um Leistungsverbesserungen zu implementieren.

Legende/Beschreibung der Symbole:

In dieser Anleitung werden Symbole benutzt, um wichtige Sicherheitshinweise und Empfehlungen bezüglich des Geräts hervorzuheben. Die Anweisungen sollten sehr sorgfältig beachtet werden, um das Risiko von Unfällen, Körperverletzungen oder Vermögensschäden zu vermeiden.





Warnhinweis

- Jede Eigenmodifikation, unsachgemäße Montage/Installation, Anpassung oder Wartung, kann zu Vermögenschäden oder Unfällen führen. Nehmen Sie bitte Kontakt mit dem Hersteller auf, was Anpassungs- oder Wartungsarbeiten betrifft, um die entsprechenden Arbeiten von Fachleuten durchführen zu lassen.
- Halten Sie das Gerät, zu Ihrer eigenen Sicherheit, von Flüssiggas oder anderer Gegenständen fern, die entflammbar oder explosiv sind.
- Dieses Gerät sollte nicht von Personen bedient werden, die körperlich oder geistig beeinträchtigt sind oder unter Wahrnehmungsstörungen leiden oder jenen, die über nicht ausreichende Erfahrungen oder Kenntnisse (einschließlich Kinder) verfügen. Jene Personen, die oben erwähnt worden sind, dürfen das Gerät nur unter der Bedingung betreiben, dass sie ausreichend überwacht werden und deren persönliche Sicherheit durch ordnungsgemäße Anweisungen und Anleitungen gewährleistet ist.
- Halten Sie Kinder vom Gerät fern.
- Bewahren Sie diese Anleitung sicher auf. Bei der Weitergabe/dem Verkauf des Geräts an einen Dritten, muss diese Bedienungsanleitung gemeinsam mit dem Gerät übergeben werden. Sämtliche Benutzer müssen das Gerät unter Einhaltung der entsprechenden Sicherheitsrichtlinien und der Bedienungsanleitung betreiben.
- Lagern oder benutzen Sie kein Gas, keine Flüssigkeiten oder Gegenstände in der unmittelbaren Umgebung des Aufstellungsortes des Geräts, die entflammbar oder explosiv sind.
- Falls dieses Gerät in der Nähe von Wänden, Trennwänden oder Küchenmöbel und ähnliches aufgestellt wird, ist es empfehlenswert, Einrichtungen aus nicht brennbarem Material zu verwenden, ansonsten verkleiden Sie diese mit nicht brennbarem, hitzebeständigem Material und beachten die Brandschutzvorschriften.
- Benutzen Sie keine zusätzliche Stromversorgung, die nicht auf dem Produkt angegeben ist und verwenden Sie keine Anschlüsse, die nicht dem Sicherheitsstandard entsprechen.
- Vermeiden Sie, dass das Stromkabel in Kontakt mit Wärmequellen oder scharfen Kanten kommt. Das Stromkabel darf weder zusammengerollt, gebogen oder verknotet werden. Tauchen Sie es nicht in Wasser. Stellen Sie das Gerät oder andere Gegenstände niemals auf das Stromkabel. Falls es zu einem nicht sicheren Betriebszustand des Geräts kommt, stoppen Sie den Betrieb des Geräts. Falls das Stromkabel beschädigt ist, lassen Sie es von einem autorisierten Service-Center oder einem qualifizierten Elektriker durch eines austauschen, das dem lokalen Elektrostandard für die gewerbliche Nutzung entspricht.
- Falls es zu einer Gerätestörung kommt, schalten Sie das Gerät unverzüglich aus und nehmen mit dem Kundendienst Kontakt auf.
- Es dürfen nur Zubehör oder Ersatzteile verwendet werden, die vom Hersteller empfohlen werden. Andernfalls übernimmt der Hersteller keine Haftung dafür.
- Halten Sie das Gerät für die Reinigung nicht unter einen Wasserstrahl. Blockieren Sie die Ein- und Ausgänge des Geräts nicht.
- Das Gehäuse des Geräts muss geerdet sein, um die Sicherheit gewährleisten zu können. Vielen Dank für Ihre Mitarbeit/Kooperation!

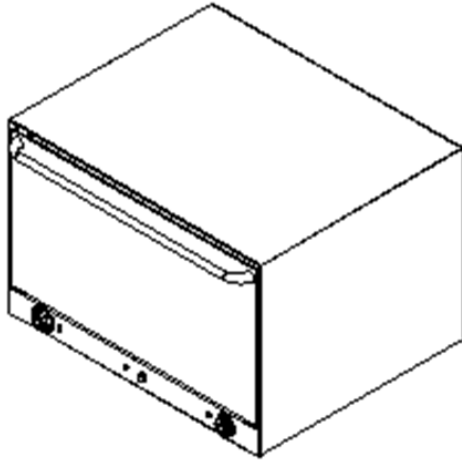
1. Einführung in die Funktionen

Dieses Produkt wird von unserem Unternehmen hergestellt, das die Vorteile aus dem In- und Ausland in sich vereint. Es ist neuartig im Design, zweckmäßig in der Konstruktion, einfach in der Bedienung, komplett aus rostfreiem Stahl gefertigt, langlebig im Gebrauch und bequem in der Wartung. Das Gerät arbeitet mit Heißluftkonvektion, hat einen hohen Heizwirkungsgrad und heizt gleichmäßig. Außerdem ist er mit einer Zeitschaltuhr und einem Thermostat ausgestattet, mit denen Sie die Zeit und die Temperatur je nach den verschiedenen Lebensmitteln regulieren können. Mit der Dampfsprühfunktion können Sie Lebensmittel, die feucht gehalten werden müssen, mit Dampf behandeln. Die doppelwandige Glastür ist elegant und wärmeisoliert. An der Tür befindet sich ein Mikroschalter. Wenn die Tür geöffnet wird, schaltet sich das Gebläse sofort ab, um Verletzungen durch heißen Dampf zu vermeiden. Es eignet sich für den Vorraum von Kaufhäusern und Fast-Food-Restaurants usw., um die Kauflust der Kunden zu steigern.



2. Schematische Abbildung der Konstruktion & Funktionsweise

2.1 Schematische Abbildung der Konstruktion:



2.2 Funktionsweise:

1. Heißluftzirkulation: Der Motor betreibt den Ventilator, der die Hitze, die beim Betrieb der Heizelemente entsteht, überall in der Kammer verteilt, um die Temperatur anzugleichen. Der Luftstrom fließt zu den Elementen zurück und wird nach dem Anwärmen/Aufwärmen in das Backrohr zurücktransportiert. Der Vorgang wiederholt sich/zirkuliert, um die Temperatur im Backrohr konstant und einheitlich zu halten.
2. Sprühfunktion: Durch das Drücken des Sprühschalters tropft Wasser auf den laufenden Ventilator und bildet eine Nebelwolke. Das Backrohr füllt sich mit Tröpfchen, um die Lebensmittel feucht zu halten.

2.3 Urheberrechtsschutz

Das Gerät entspricht den gegenwärtigen Standards/Normen und Richtlinien der Länder, die den Vertrieb des Produkts gestatten/zulassen. Die Bedienungsanleitung, einschließlich sämtlicher Texte, Zeichnungen, Abbildungen/Bilder, oder anderer Illustrationen, ist urheberrechtlich geschützt. Kein Teil dieser Veröffentlichung darf reproduziert, übermittelt oder in irgendeiner Form oder Mitteln ohne die schriftliche Zustimmung des Herstellers genutzt werden. Jede Person, die eine unerlaubte Handlung in Bezug auf diese Publikation setzt/begeht, ist zu Schadenersatz verpflichtet. Alle Rechte vorbehalten.

3. Technische Parameter

Modell	Abmessungen (mm)	Kammergröße (mm)	Leistung (kW)	Spannung (V/Hz)	Temp. (°C)	Heiz-elemente	Gewicht (kg)
CUBE SS-8	834×765×572	700×360×460	5.82-6.4	380-400/50	50-300	2	73

4. Vorsichtsmaßnahmen & Empfehlungen

4.1 Tipps für den Betrieb

1. Die Montage und Wartung sollten von professionellen Technikern durchgeführt werden. Wenden Sie sich bei Bedarf an die Techniker. Der Erdungsanschluss des Geräts muss den örtlichen Vorschriften entsprechen. (Warnung: Unsachgemäße Bedienung, Installation oder Wartung kann zu Sachschäden, Verletzungen oder Tod usw. führen. Lesen Sie diese Bedienungsanleitung sorgfältig durch, bevor Sie das Gerät installieren, bedienen oder warten.)



2. Alle Bediener sollten die elektrischen Sicherheitsvorschriften strikt einhalten. Vergewissern Sie sich vor der Benutzung, dass die Netzspannung mit den Angaben auf dem Typenschild übereinstimmt und die Erdung sicher ist.
3. Alle Arbeiten sollten nur unter sicheren Bedingungen durchgeführt werden. Wenn ein Fehler auftritt, lassen Sie ihn sofort reparieren.
4. Dieses Produkt muss von einem ausgebildeten Koch bedient werden. Zerlegen Sie das Gerät nicht und bauen Sie es nicht selbst um. Die Demontage und der Selbstumbau können zu Verletzungen führen.
5. Ziehen Sie vor der Reinigung den Netzstecker und unterbrechen Sie die Stromzufuhr. Richten Sie während der Reinigung keinen Wasserstrahl auf das Gerät. Wasser kann Strom leiten, was zu einem elektrischen Schlag führen kann, wenn Wasser austritt.
6. Klopfen Sie nicht auf das Gerät und stellen Sie keine schweren Gegenstände darauf ab. Ein unsachgemäßer Betrieb kann zu Schäden und Gefahren führen. Berühren Sie das Gerät aufgrund der hohen Temperatur während oder nach dem Betrieb nicht direkt mit den Händen, insbesondere nicht an heißen Stellen, die Verbrühungen verursachen können.
7. Verwenden Sie keine zusätzliche Stromversorgung, die nicht auf dem Produkt angegeben ist.
8. Verwenden Sie keine elektrischen Messer, die nicht den Sicherheitsstandards entsprechen.
9. Um Schäden zu vermeiden, schalten Sie den Schalter so schnell wie möglich aus, wenn Sie sich in der Nähe eines Gewitters befinden.
10. Zerstören Sie die Oberflächen des Ofens nicht mit harten oder scharfen Gegenständen.
11. Schalten Sie nach der Arbeit das Gerät aus.
12. Die Installation und Wartung von Stromkreisen muss von qualifizierten Technikern durchgeführt werden.
13. Wenn das Netzkabel beschädigt ist, sollte der Austausch durch den Hersteller oder seine Wartungsabteilung oder ähnliches Fachpersonal erfolgen, um Gefahren zu vermeiden.
14. Richten Sie kein Wasser direkt auf den Schaltkasten und tauchen Sie ihn nicht in Wasser, um ihn zu reinigen.

4.2 Lagerung & Transport

1. Das verpackte Gerät sollte in einem gut belüfteten Lagerhaus ohne ätzende Gase gelagert werden und nicht im Freien. Sollte eine vorübergehende Lagerung notwendig sein, ergreifen Sie Maßnahmen, um es vor Regen zu schützen.
2. Das Gerät wurde aus Sicherheitsgründen bereits vor dem Transport von einem qualifizierten Fachmann überprüft. Behandeln Sie das Gerät bitte sorgsam. Überprüfen Sie bitte die Lieferung unverzüglich nach deren Erhalt auf Vollständigkeit und Transportschäden. Im Fall von sichtbaren Schäden, nehmen Sie die Lieferung nicht an. Der Spediteur haftet für Schäden, die beim Transport entstehen. Versteckte Schäden/Mängel sind unverzüglich nach deren Entdeckung zu melden, da Schadenersatzansprüche nur innerhalb der Beschwerdefrist/Rügefrist geltend gemacht werden können.
3. Beim Transport sollte mit dem Gerät sorgfältig umgegangen werden, drehen Sie das Gerät nicht um, um eine Beschädigung des Gehäuses (Außenschicht) und der Innenseite zu verhindern/vermeiden.

4.3 Installation/Montage

1. Die Stromversorgung muss der Betriebsspannung des Geräts entsprechen. Das Gerät verfügt auf der unteren Rückseite des Schaltkastens über Potenzialausgleichsanschlüsse aus Kupfer, die mit Kupferkabel mit nicht weniger als 1,5 mm², wie vorgegeben, angeschlossen werden müssen. Überprüfen Sie nach der Installation, ob die Anschlüsse locker sind, ob sich die Spannung im Normbereich befindet und ob die Erdung funktionstüchtig ist. Die feste Anordnung der Kabel sollte mit einem allpoligen Trennschalter mit einer Kontaktöffnung von 3 mm bei dessen Polen ausgestattet sein. Es ist ratsam, einen FI-Schalter oder ein Erdungsrelais mit einer Leistungsspitze von 10 mA zu installieren. Der Aufstellort des Geräts sollte mindestens 1500x850x530 mm (LxBxH) betragen. Packen Sie das Gerät aus und stellen es auf den Boden.



2. Elektrischer Anschluss:

- Die Versorgungsspannung sollte mit der Betriebsspannung des Geräts übereinstimmen.
- Das Gerät ist auf der Rückseite mit einem Erdungsbolzen ausgestattet, der mit einem Kupferdraht von mindestens 1,5 mm² und einem Erdungsdraht, der den Sicherheitsvorschriften entspricht, zuverlässig verbunden werden sollte.
- Die feste Verdrahtung sollte mit einem allpoligen Trennschalter mit einer Kontaktöffnung von 3 mm an den Polen ausgestattet sein. Es ist ratsam, einen Fehlerstromschutzschalter für die Erdung zu installieren. Stapeln Sie keine Utensilien vor dem Schalter, um die Bedienung zu erleichtern.

3. Wasseranschluss:

- Schließen Sie die 1/2"-Wasserleitung an das Magnetventil auf der Rückseite des Geräts an. Hinweis: Um ein Auslaufen oder Durchschlagen des Wassers zu verhindern, sollte die Verbindung zuverlässig sein.
- Um Eisenablagerungen in der Leitung zu entfernen, spülen Sie etwas Wasser in die Leitung. Die Wasserhärte sollte 0,5°-5° betragen (um Wasserablagerungen zu reduzieren) und der Druck sollte 50-200kPa betragen.

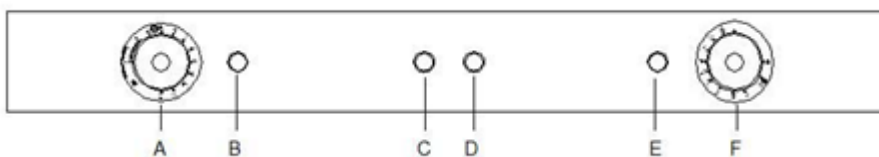
5. Arbeitsanweisungen & Arbeitsablauf

1. Prüfen Sie vor der Verwendung, ob die Stromversorgung korrekt installiert ist, und stellen Sie sicher, dass die Versorgungsspannung mit der Betriebsspannung des Geräts übereinstimmt.
2. Schließen Sie den Strom an, stellen Sie den Timer auf die manuelle Stufe und drehen Sie den Thermostat auf 200°C, um etwa 10 Minuten lang zu heizen. (Bei der ersten Verwendung reinigen Sie die Kammer bitte mit heißem Wasser und heizen dann 30 Minuten lang bei 200°C, um den Geruch des Isoliermaterials zu beseitigen.)
3. Öffnen Sie die Tür und stellen Sie die Backbleche mit den vorbereiteten Speisen auf den Rost im Inneren. Schließen Sie dann die Tür, drehen Sie den Thermostat auf die gewünschte Temperatur und stellen Sie den Timer auf die gewünschte Zeit ein. (Achten Sie beim Einlegen der Speisen darauf, dass der Abstand zwischen dem Boden des oberen Blechs und der Oberseite des nächsten Blechs mindestens 40 mm beträgt, damit die Heißluft zirkulieren kann.)
4. Wenn das Gargut feucht gehalten werden muss, schalten Sie den Sprühschalter während des Garens ein, um ausreichend Dampf hinzuzufügen.
Wenn die Sprühfunktion verwendet wird, sollte die Kammer-temperatur mindestens 120°C betragen. Die Dampfmenge hängt davon ab, wie lange Sie den Sprühschalter gedrückt halten. Die Haltedauer sollte jedoch 5 Sekunden nicht überschreiten.
5. Wenn die Zeit abgelaufen ist, schaltet sich das Gerät automatisch ab. Nehmen Sie dann die Lebensmittel heraus.

Hinweis:

- Berühren Sie das Gerät während des Betriebs oder der Erhitzung nicht, da es sehr heiß ist. Vorsicht vor Verbrennungen beim Umgang mit Lebensmitteln.
- Tragen Sie während des Betriebs Schutzhandschuhe, um Verbrühungen zu vermeiden.
- Lassen Sie beim Backen etwas Platz zwischen den Lebensmitteln, damit die Luft zirkulieren kann. Legen Sie sie nicht zu dicht nebeneinander. Die maximale Kapazität beträgt 10 kg.

Schematische Darstellung der Steuerung:





“A”: Timer, um die Stromversorgung und die Einschaltzeiten zu kontrollieren.

“B”: Stromanzeige, die anzeigt, ob der Strom angeschlossen ist.

“C”: Sprühanzeige, zur Anzeige des Sprühzustands.

“D”: Sprühschalter, zum Starten des Sprühvorgangs nach unten drücken und zum Stoppen loslassen.

“E”: Betriebsanzeige, um den Betriebszustand der Heizelemente anzuzeigen.

“F”: Thermostat, um die Innentemperatur zu kontrollieren, die maximale Temperatur beträgt 300°C.

6. Routinemäßige Inspektion

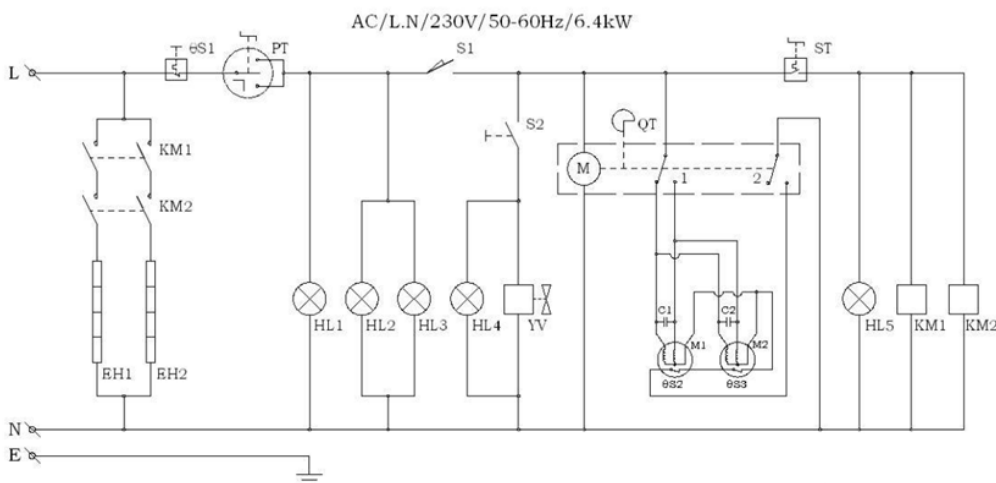
1. Beenden Sie die Nutzung des Geräts, falls der Bediener Probleme mit den Leitungen oder dem Gerät feststellt.
2. Überprüfen Sie täglich den Zustand des Geräts vor oder nach dem Betrieb.
3. Überprüfen Sie vor der Nutzung, ob das Gerät eben steht/waagrecht ist.
4. Überprüfen Sie, ob das Bedienfeld beschädigt ist.
5. Überprüfen Sie, ob eigenartige Gerüche bei der Nutzung auftreten.
6. Überprüfen Sie, ob Vibrationsgeräusche auftreten.

7. Reinigung & Wartung

1. Schalten Sie vor der Reinigung das Gerät aus und lassen Sie die Arbeiten erst nach dem Abkühlen des Geräts durchführen, um unerwartete Unfälle zu vermeiden.
2. Öffnen Sie die Tür und nehmen Sie die inneren Regale heraus. Reinigen Sie sie mit Wasser und Reinigungsmittel.
3. Reinigen Sie nach jedem Arbeitstag die Innen- und Außenflächen, die Kammer und die Oberfläche des Netzkabels mit einem feuchten Handtuch, das ein nicht ätzendes Reinigungsmittel enthält. Besprühen Sie das Gerät nicht direkt mit Wasser, da dies die elektrischen Eigenschaften des Geräts beschädigen und Unfälle verursachen kann.
4. Setzen Sie die Gestelle nach der Reinigung wieder ein. Schalten Sie dann den Strom ein und drehen Sie den Thermostat auf etwa 80 °C, um das Gerät zu trocknen. Wenn Sie das Gerät nicht mehr benutzen, schalten Sie den Thermostat und den Schalter aus.
5. Wenn Sie das Gerät längere Zeit nicht benutzen, reinigen Sie es vollständig und lagern Sie es in einem gut belüfteten Raum ohne korrosive Gase.
6. Reinigen Sie das Gerät nicht mit einem Wasserstrahl.

8. Fehlerbehebung

8.1 Elektrisches Diagramm



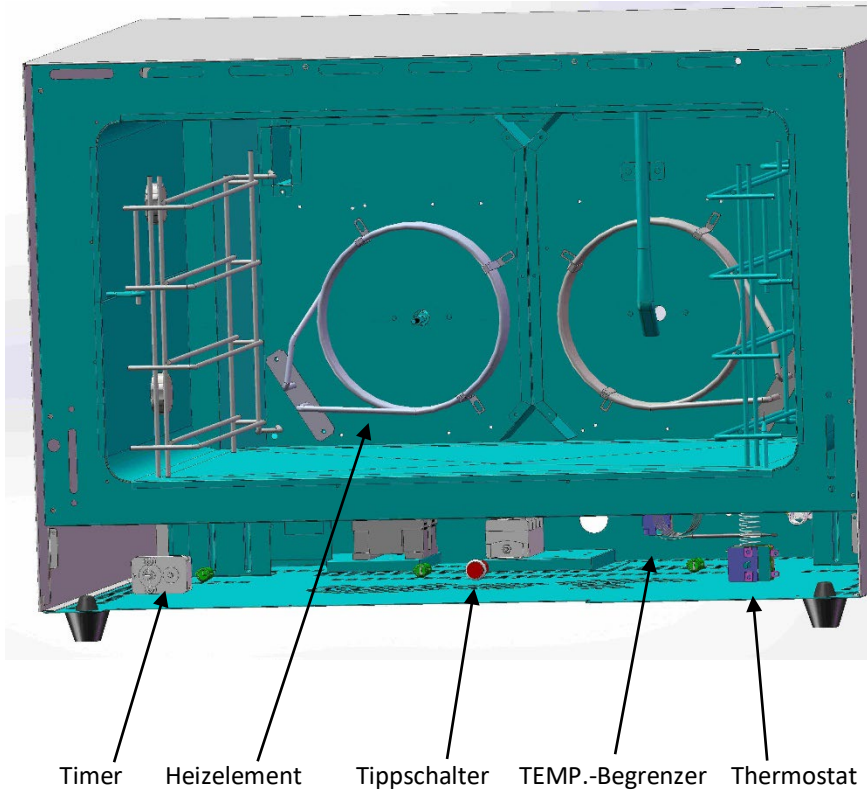


KM1, KM2 - Wechselstromschütz
 EH1, EH2 - Heizelement
 ØS1 - Übertemperaturschutz
 PT - Zeitschaltuhr
 S1 - Türschalter
 S2 - Einlass-Schalter

QT - Programmregler
 C1, C2 - Kondensator
 HL1 - Betriebsanzeige
 HL2, HL3 - Kammerleuchte
 HL4 - Einlass-Anzeige
 YV - Einlass-Magnetventil

M1, M2 - Gebläsemotor
 ØS2, ØS3 - Wärmeschutzschalter
 ST - Thermostat
 HL5 - Heizungsanzeige

8.2 Allgemeine/Häufige Störungen



Probleme	Ursachen	Lösungen
Die Erdschluss-Schutzeinrichtung löst aus.	Die elektrische Komponente ist undicht.	Prüfen Sie die undichte Komponente, reparieren oder ersetzen Sie sie.
Die Aufheizzeit ist zu lang.	1. Die Versorgungsspannung ist zu niedrig. 2. Die Netzsicherung hat einen offenen Stromkreis und ist phasenwidrig. 3. Der Lüfter oder das Heizelement ist defekt.	1. Tauschen Sie die Sicherung aus. 2. Ersetzen Sie den Ventilator oder das Heizelement.
Das Gerät heizt nicht auf oder heizt ununterbrochen auf.	1. Der Thermostat ist defekt. 2. Die Tür ist nicht richtig geschlossen.	1. Reparieren oder ersetzen Sie den Thermostat. 2. Schließen Sie die Tür wieder.
Der Ventilator funktioniert nicht.	1. Der Motor ist defekt. 2. Der Schalter ist defekt.	1. Reparieren oder ersetzen Sie den Motor. 2. Ersetzen Sie den Schalter.

Die zuvor erwähnten Probleme dienen nur Referenzzwecken. Falls Störungen auftreten, beenden Sie den Betrieb und kontaktieren einen professionellen Techniker, der das Gerät überprüft und repariert.



Cher utilisateur et client,

Tout d'abord, merci d'avoir acheté et utilisé notre produit. Toutes les informations et les directives de ce manuel d'utilisation sont conformes à certaines réglementations applicables, qui découlent de nos connaissances et de notre expérience accumulées à long terme ainsi que des situations actuelles de développement de projets.

Limité à certaines structures spéciales, à des éléments spécifiés supplémentaires ou à de nouveaux changements technologiques, la situation d'utilisation réelle peut être différente de ce qui est indiqué dans ce manuel de l'utilisateur. Si vous avez des questions, n'hésitez pas à contacter le fabricant via la méthode indiquée sur la page de couverture arrière de ce manuel.

Pour des raisons de sécurité et un fonctionnement efficace, veuillez mettre ce document à la disposition des utilisateurs pour référence. Demandez-leur de lire attentivement ce manuel avant d'effectuer toute action sur cet appareil, en particulier au démarrage.

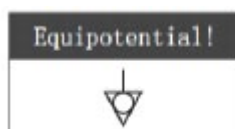
Ce manuel ne s'applique pas aux personnes ayant des handicaps physiques ou mentaux, une expérience insuffisante et / ou des connaissances insuffisantes, y compris les enfants.

Le fabricant décline toute responsabilité au cas où les utilisateurs ne suivraient pas les instructions ou les directives expliquées ici.

Le manuel de l'utilisateur doit être placé près de l'appareil, pour faciliter la lecture des utilisateurs avant l'utilisation. Nous avons le plein pouvoir de réserver les modifications techniques ultérieures de l'appareil, dans le cadre du développement de caractéristiques d'amélioration de la performance.

Symboles clés:

Dans ce manuel, des symboles sont utilisés pour mettre en évidence les consignes de sécurité importantes et tout conseil relatif à l'appareil. Les instructions doivent être suivies très attentivement pour éviter tout risque d'accident, de blessure corporelle ou de perte de propriété.





Attention

- Toute modification, mauvaise installation, réglage ou maintenance peut entraîner une perte ou une perte de biens. Veuillez contacter le fabricant pour tout ajustement ou entretien, et le travail doit être fait par une personne formée et qualifiée.
- Pour votre sécurité, veuillez tenir la machine à l'écart de tout liquide, gaz ou autre objet inflammable ou explosif.
- Cet appareil ne doit pas être utilisé par des personnes qui ont des handicaps physiologiques, perceptuels ou mentaux ou qui ont une expérience ou des connaissances insuffisantes (y compris les enfants). Ce n'est que dans des conditions de surveillance et de garanties suffisantes de sécurité personnelle, ainsi que des instructions et des conseils appropriés, ceux qui ont été mentionnés ci-dessus peuvent faire un certain fonctionnement particulier de cet appareil.
- Tenez les enfants à l'écart de l'appareil.
- Conservez ce manuel en toute sécurité. Lors de la transmission / vente de l'appareil à un tiers, les manuels doivent être remis avec l'appareil. Tous les utilisateurs doivent utiliser l'appareil conformément au manuel de l'utilisateur et aux consignes de sécurité associées.
- Ne stockez pas ou n'utilisez pas de gaz, de liquide ou d'objet inflammable ou explosif à proximité de la position de montage de l'appareil.
- Si cet appareil est placé près des murs, des cloisons ou des meubles de cuisine, il est conseillé de faire ces installations avec des matériaux incombustibles, sinon couvrez-les avec un matériau résistant à la chaleur incombustible.
- N'utilisez pas d'électricité supplémentaire non indiquée sur le produit, ni d'accessoires non conformes aux normes de sécurité.
- Ne laissez jamais le cordon d'alimentation entrer en contact avec des sources de chaleur ou des arêtes vives. Le câble d'alimentation ne doit pas être plié, plié ou emmêlé. Ne le trempez pas dans l'eau. Ne placez jamais l'appareil ou d'autres objets sur le câble d'alimentation. Si une anomalie se produit, arrêtez d'utiliser l'appareil. Si le câble d'alimentation est endommagé, faites-le remplacer par un câble conforme à la norme électrique commerciale locale et aux exigences d'un centre de service agréé ou d'un électricien qualifié.
- En cas de panne ou de dysfonctionnement du produit, arrêtez immédiatement l'appareil et appelez le service après-vente.
- Seuls des accessoires ou des pièces de rechange recommandés par le fabricant peuvent être utilisés. Sinon, le fabricant n'assume aucune responsabilité à cause de cela.
- Ne pas viser l'appareil avec un jet d'eau pour le nettoyage, ni bloquer l'entrée / la sortie de l'appareil.
- Le boîtier de l'appareil doit être mis à la terre pour assurer la sécurité. Merci de votre coopération!

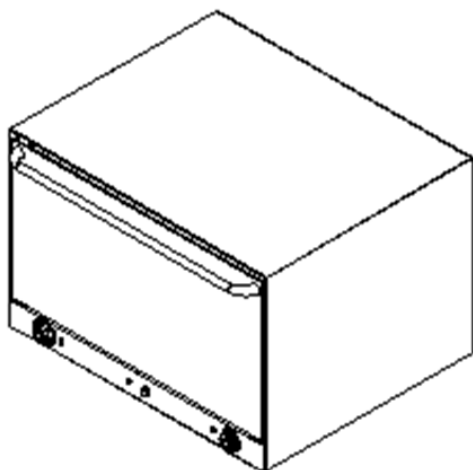
1. Introduction fonctionnelle

Ce produit est fabriqué par notre société, qui bénéficie des avantages du pays et de l'étranger. Sa conception est nouvelle, sa structure est raisonnable, son fonctionnement est facile, il est entièrement fabriqué en acier inoxydable, son utilisation est durable et sa maintenance est aisée. Il adopte le mode de chauffage par convection d'air chaud, avec une efficacité thermique élevée et un chauffage uniforme. Il est également équipé d'une minuterie et d'un thermostat qui permettent de régler la durée et la température en fonction des différents aliments. La fonction de vaporisation permet d'ajouter de la vapeur aux aliments qui ont besoin d'être maintenus humides. La porte en verre trempé à double étage est élégante et isolée de la chaleur. Il y a un micro-interrupteur près de la porte, lorsque la porte s'ouvre, le ventilateur s'arrête immédiatement pour éviter les blessures causées par les jets de vapeur chaude. Il convient à la cour d'entrée des supermarchés et des restaurants rapides, etc. pour augmenter le désir d'achat des clients.



2. Schéma de structure et principe de fonctionnement

2.1 Schéma de structure:



2.2 Principe de fonctionnement

1. Circulation d'air chaud: Le moteur actionne le ventilateur pour souffler la chaleur produite par la mise sous tension des éléments chauffants partout dans la chambre pour équilibrer la température. Le vent soufflé reflue vers les éléments et sera soufflé dans la chambre après le chauffage. La procédure circule pour maintenir la température de la chambre constante et uniforme.
2. Pulvérisation: Appuyez sur l'interrupteur de pulvérisation, l'eau va tomber sur le ventilateur en marche et former un nuage de brume. La chambre est remplie de gouttelettes pour garder la nourriture humide.

2.3 Protection des droits d'auteur

L'appareil est conforme aux normes et directives en vigueur dans les pays permettant la vente du produit. Le manuel d'instructions, y compris les textes, dessins, images ou autres illustrations, est protégé par des droits d'auteur. Aucune partie de cette publication ne peut être reproduite, transmise ou utilisée sous quelque forme ou par quelque moyen que ce soit sans l'autorisation écrite du fabricant. Toute personne qui commet un acte non autorisé en relation avec cette publication sera passible de dommages et intérêts. Tous les droits sont réservés.

3. Paramètres techniques

Modèle	Dimensions (mm)	Taille de la chambre (mm)	Puissance (kW)	Tension (V/Hz)	Temp. (°C)	Élément chauffante	Poids (kg)
CUBE SS-8	834×765×572	700×360×460	5.82-6.4	380-400/50	50-300	2	73

4. Précautions & Recommendations

4.1 Conseils d'utilisation

1. L'installation et l'entretien doivent être effectués par des techniciens professionnels. Si nécessaire, contactez les techniciens. La mise à la terre de l'appareil doit être conforme aux réglementations locales. (Avertissement : Un fonctionnement, une installation ou une maintenance incorrects peuvent entraîner des dommages matériels, des blessures ou la mort, etc. Lisez attentivement ce manuel d'instructions avant d'installer, d'utiliser ou d'entretenir cet équipement).



2. Tous les opérateurs doivent respecter scrupuleusement les règles de sécurité électrique. Avant d'utiliser l'appareil, assurez-vous que la tension d'alimentation est conforme à celle indiquée sur la plaque signalétique et que la mise à la terre est sûre.
3. Toutes les opérations doivent être effectuées en toute sécurité. En cas de panne, faites-la réparer immédiatement.
4. Ce produit doit être utilisé par un cuisinier qualifié. Ne pas démonter ou auto-modifier l'appareil. Le démontage et l'auto-modification peuvent provoquer des accidents.
5. Avant le nettoyage, débranchez et coupez l'alimentation électrique. Pendant le nettoyage, ne pas viser l'appareil avec un jet d'eau. L'eau peut conduire l'électricité, ce qui peut provoquer un choc électrique dû à une fuite.
6. Ne pas taper sur l'appareil et ne pas y poser d'objets lourds. Un fonctionnement anormal peut entraîner des dommages et un danger. Ne pas toucher l'appareil avec les mains directement en raison de la température élevée pendant ou après le fonctionnement, en particulier les zones chaudes à température élevée qui peuvent provoquer des brûlures.
7. Ne pas utiliser d'alimentation électrique supplémentaire qui ne soit pas indiquée sur le produit.
8. Ne pas utiliser de couteau électrique non conforme aux normes de sécurité.
9. Pour éviter tout dommage, éteignez l'interrupteur dès que vous vous trouvez à proximité d'une zone de tonnerre.
10. Ne pas détruire les surfaces du four avec des objets durs ou tranchants.
11. Après avoir travaillé, éteignez l'interrupteur.
12. L'installation et l'entretien du circuit doivent être effectués par des techniciens qualifiés.
13. Si le cordon d'alimentation est endommagé, pour éviter tout risque, le remplacement doit être effectué par le fabricant ou son service de maintenance ou un personnel professionnel similaire.
14. Ne pas viser le boîtier électrique avec de l'eau directement, ni l'immerger dans l'eau pour le nettoyer.

4.2 Stockage & Transport

1. L'appareil emballé doit être stocké dans un entrepôt bien ventilé sans gaz corrosif au lieu d'être exposé à l'air libre. Si un stockage temporaire est nécessaire, veuillez prendre des mesures contre la pluie.
2. Pour des raisons de sécurité, cet appareil a déjà été vérifié par un personnel qualifié avant le transport. Veuillez prendre soin en le manipulant. Veuillez s'il vous plaît vérifier la livraison intégralement et voir s'il y a des dommages de transport immédiatement après réception. En cas de dommage visible, ne l'acceptez pas. Le transporteur assume l'entière responsabilité des dommages causés pendant le transport. Les dommages cachés doivent être réclamés immédiatement après la notification, car les réclamations pour dommages ne peuvent être invoquées que dans le délai effectif pour les réclamations.
3. Pendant le transport, la machine doit être manipulée avec soin, ne pas la mettre à l'envers pour éviter d'endommager la coque et l'intérieur.

4.3 Installation

1. La tension d'alimentation doit correspondre à la tension de fonctionnement de l'appareil. L'appareil est équipé de bornes équipotentielles en cuivre à l'arrière de la boîte, qui doivent être raccordées avec du fil de cuivre de 1,5 mm² de manière fiable, comme prescrit. Après l'installation, vérifiez si la connexion est lâche, si la tension est normale et si la mise à la terre de sécurité est fiable. L'arrangement fixe du fil devrait être équipé d'un interrupteur de déconnexion omnipolaire avec une ouverture de contact de 3mm sur ses pôles. Il est conseillé d'installer un interrupteur de protection contre les fuites de mise à la terre ou un relais avec un maximum de fuite de 10 mA. L'espace de montage de l'appareil doit être d'au moins: 1500x850x530 mm (LxlxH). Déballez l'appareil et placez-le sur le sol.



2. Connexion électrique:
 - La tension d'alimentation doit être conforme à la tension de fonctionnement de l'appareil.
 - L'appareil est équipé d'un boulon de mise à la terre à l'arrière, qui doit être connecté à un fil de cuivre d'au moins 1,5 mm² et à un fil de mise à la terre conforme aux règles de sécurité.
 - La disposition fixe des fils doit être équipée d'un sectionneur omnipolaire avec une ouverture de contact de 3 mm sur ses pôles. Il est conseillé d'installer un interrupteur de protection contre les fuites à la terre. Ne pas empiler d'objets devant l'interrupteur, pour des raisons de commodité d'utilisation.
3. Raccordement à l'eau:
 - Raccordez le tuyau d'eau de 1/2" à l'électrovanne située à l'arrière de l'appareil. Remarque : pour éviter les fuites ou l'éclatement par l'eau, le raccordement doit être fiable.
 - Pour éliminer le tartre dans le tuyau, faites couler de l'eau dans le tuyau. La dureté de l'eau doit être de 0,5°-5° (pour réduire l'entartrage) et la pression doit être de 50-200kPa.

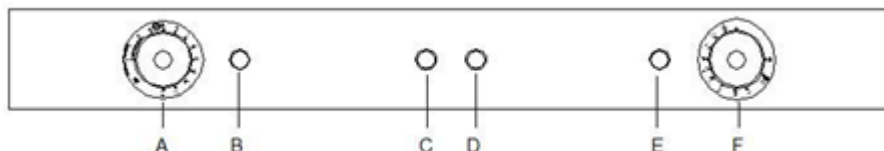
5. Instructions de travail et flux de fonctionnement

1. Avant d'utiliser l'appareil, vérifiez que l'installation électrique est correcte et que la tension d'alimentation est conforme à la tension de fonctionnement de l'appareil.
2. Branchez l'appareil, mettez la minuterie en position manuelle et réglez le thermostat sur 200°C pour chauffer pendant environ 10 minutes (lors de la première utilisation, nettoyez la chambre à l'eau chaude, puis chauffez-la pendant 30 minutes à 200°C pour éliminer l'odeur de l'isolant).
3. Ouvrez la porte et placez les plaques de cuisson contenant les aliments préparés sur la grille à l'intérieur. Fermez ensuite la porte, réglez le thermostat sur la température souhaitée et réglez la minuterie sur la durée souhaitée. (Lorsque les aliments sont placés, veillez à ce que la distance entre le bas de la plaque supérieure et le haut de la plaque suivante soit d'au moins 40 mm pour permettre la circulation de l'air chaud).
4. Si les aliments doivent rester humides, activez l'interrupteur de vaporisation pendant la cuisson pour ajouter la vapeur appropriée.
Si la fonction spray est utilisée, la température de la chambre doit être d'au moins 120°C.
La quantité de vapeur dépend du temps de maintien de l'interrupteur de vaporisation. Toutefois, le temps de maintien ne doit pas dépasser 5 secondes.
5. Lorsque le temps est écoulé, l'appareil s'éteint automatiquement. Retirez ensuite les aliments.

Note:

- Ne touchez pas l'appareil pendant le fonctionnement ou le chauffage en raison de la température élevée. Attention aux brûlures lorsque vous manipulez des aliments.
- Portez des gants de protection pendant le fonctionnement de l'appareil pour éviter les brûlures.
- Pendant la cuisson, laissez de l'espace entre les aliments pour permettre la convection de l'air. Ne placez pas les aliments trop près les uns des autres. La capacité maximale est de 10 kg.

Schéma de contrôle :



- « A » : minuterie, pour contrôler l'alimentation électrique et les heures de mise sous tension.
- « B » : indicateur d'alimentation, pour afficher si l'alimentation est connectée.
- « C » : indicateur de pulvérisation, pour afficher l'état de la pulvérisation.
- « D » : interrupteur de pulvérisation, pousser vers le bas pour commencer la pulvérisation et relâcher pour l'arrêter.
- « E » : indicateur de fonctionnement, pour afficher l'état de fonctionnement des éléments chauffants.
- « F » : thermostat, pour contrôler la température interne, la température maximale est de 300°C.



6. Inspection de routine

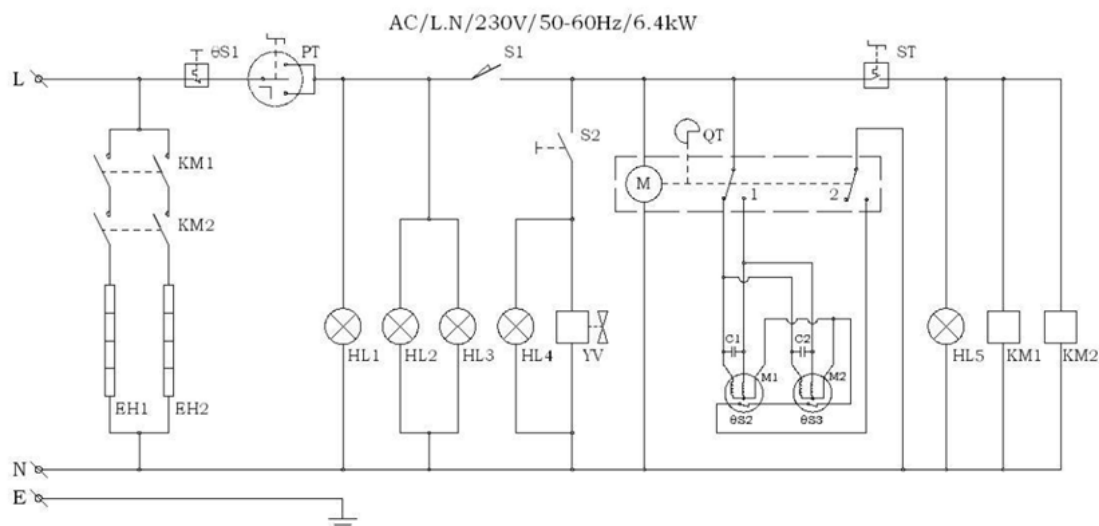
1. Cessez d'utiliser si l'utilisateur a l'impression qu'il y a des problèmes dans le pipeline ou la machine.
2. Vérifiez la situation de la machine avant ou après chaque utilisation.
3. Vérifiez que la machine est inclinée avant de l'utiliser.
4. Vérifiez que le panneau de commande est endommagé.
5. Vérifiez s'il y a une odeur ou une odeur étrange pendant l'utilisation.
6. Vérifiez s'il y a un bruit de vibration.

7. Nettoyage et entretien

1. Avant de procéder au nettoyage, coupez l'alimentation et effectuez le travail une fois que l'appareil a refroidi, afin d'éviter tout accident inattendu.
2. Ouvrez la porte et sortez les grilles internes. Nettoyez-les avec de l'eau et du détergent.
3. Après chaque journée de travail, nettoyez les surfaces internes et externes, la chambre et la surface du cordon d'alimentation avec une serviette humide contenant un détergent non corrosif. Ne pas asperger l'appareil directement avec de l'eau, ce qui pourrait endommager ses propriétés électriques et provoquer des accidents liés à la sécurité électrique.
4. Après le nettoyage, remettez les grilles en place. Ensuite, allumez le courant et tournez le thermostat à environ 80°C pour sécher la machine. Si vous n'allez pas utiliser l'appareil à un moment donné, éteignez le thermostat et l'interrupteur d'alimentation.
5. Si vous n'allez pas utiliser l'appareil pendant une longue période, nettoyez-le complètement et rangez-le dans un entrepôt bien ventilé sans gaz corrosifs.
6. Ne pas nettoyer l'appareil avec un tuyau de pulvérisation.

8. Dépannage

8.1 Schéma électrique



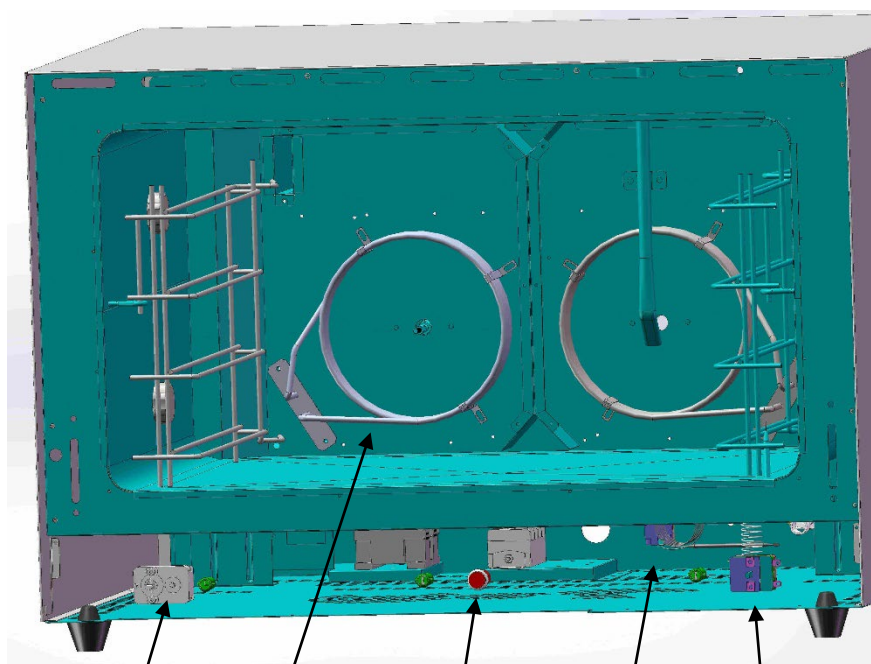
KM1, KM2 - Contacteur à courant alternatif
EH1, EH2 - Élément chauffant
0S1 - Protection contre la surchauffe
PT - Minuterie
S1 - Interrupteur de porte

S2 - Interrupteur d'entrée
QT - Contrôleur de programme
C1, C2 - Condensateur
HL1 - Indicateur de puissance
HL2, HL3 - Lampe de la chambre
HL4 - Indicateur d'entrée
YV - Électrovanne d'entrée

M1, M2 - Moteur du ventilateur
0S2, 0S3 - Disjoncteur thermique
ST - Thermostat
HL5 - Indicateur de chauffage



8.2 Faute commune



minuterie élément chauffant interrupteur d'inclination limiteur TEMP. thermostat

Symptômes	Causes	Solutions
Le dispositif de protection contre les fuites à la terre se déclenche.	Le composant électrique fuit.	Vérifier le composant qui fuit, le réparer ou le remplacer.
Le temps de chauffe est trop long.	<ol style="list-style-type: none"> 1. La tension d'alimentation est trop faible. 2. Le fusible d'alimentation est en circuit ouvert et déphasé. 3. Le ventilateur ou l'élément chauffant est défectueux. 	<ol style="list-style-type: none"> 1. Remplacer le fusible. 2. Remplacer le ventilateur ou l'élément chauffant.
L'appareil ne chauffe pas ou chauffe sans arrêt.	<ol style="list-style-type: none"> 1. Le thermostat fonctionne mal. 2. La porte n'est pas bien fermée. 	<ol style="list-style-type: none"> 1. Réparer ou remplacer le thermostat. 2. Refermez la porte.
Le ventilateur ne fonctionne pas.	<ol style="list-style-type: none"> 1. Le moteur est défectueux. 2. L'interrupteur de voyage est défectueux. 	<ol style="list-style-type: none"> 1. Réparer ou remplacer le moteur. 2. Remplacer l'interrupteur de voyage.

Les problèmes mentionnés ci-dessus ne sont que des références. En cas de panne, veuillez cesser d'utiliser et informer les techniciens professionnels pour vérifier et réparer.