



## POTATO PEELING MACHINE 25KG 230V

€2,245.00

SKU:

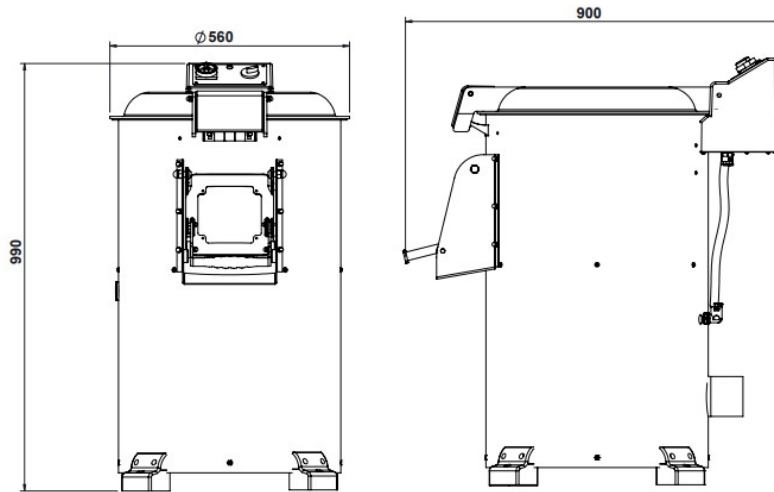
7073.0010





EAN code	7422242986998	Width (mm)	560
Depth (mm)	900	Height (mm)	990
Material	Stainless steel	Color	Stainless steel
Parcel ready	No	Gross Weight (kg)	62
Voltage (Volt)	230	Frequency (Hz)	50
Electrical power (kW)	1,1	Model tabletop/ freestanding/drop-in	Freestanding
Capacity in units per time	25KG	Capacity in units per hour	500KG
Operation	Knob	Brand	COMBISTEEL
Plug and play (EU only)	Yes		

# CombiSteel



**CombiSteel**

7073.0010

