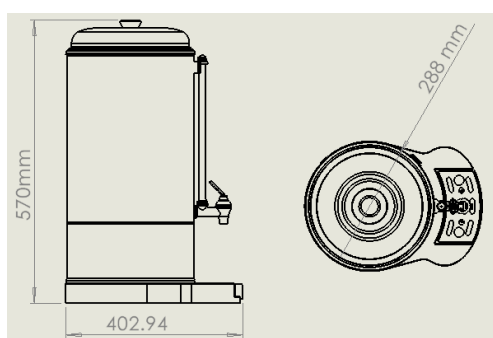




## COFFEE PERCOLATOR DOUBLE WALL 10L - 60 CUPS

€189.00

SKU: 7535.0025



**Meet the durable and stylish double-walled coffee percolator!**

This percolator is the ideal choice for larger gatherings, offices, events, or catering establishments. Thanks to the double-walled insulation, your coffee stays at the perfect temperature for hours without the need for a warming plate. With user-friendly operation and a convenient spout, serving coffee is quick and easy. Dimensions 278x394x530 mm (LxDxH) – Power 1.5 kW – Weight 7 kg.

### Key features:

- **10-liter capacity:** perfect for brewing up to 60 cups of coffee in one go.
- **Double-walled insulation:** keeps coffee warm for hours without compromising quality.
- **Stainless steel housing:** durable, easy to clean, and stylish.
- **Easy to use:** with a convenient spout for quick and drip-free pouring.

Whether you're hosting a large event or simply catering to a group of coffee lovers, this double-walled percolator ensures a smooth and continuous flow of delicious coffee. Order today and make every coffee break a success!





EAN code	7422242973981	Width (mm)	278
Depth (mm)	394	Height (mm)	530
Material	Stainless steel Aisi 304	Color	Stainless steel
Parcel ready	Yes	Gross Weight (kg)	7
Voltage (Volt)	230	Frequency (Hz)	50
Electrical power (kW)	1,5	Holding capacity (Ltr)	10
Temperature range (°C)	94-99	Operation	Knob
Brand	COMBISTEEL	Plug and play (EU only)	Yes