

CombiSteel

7487.0040

v1.0

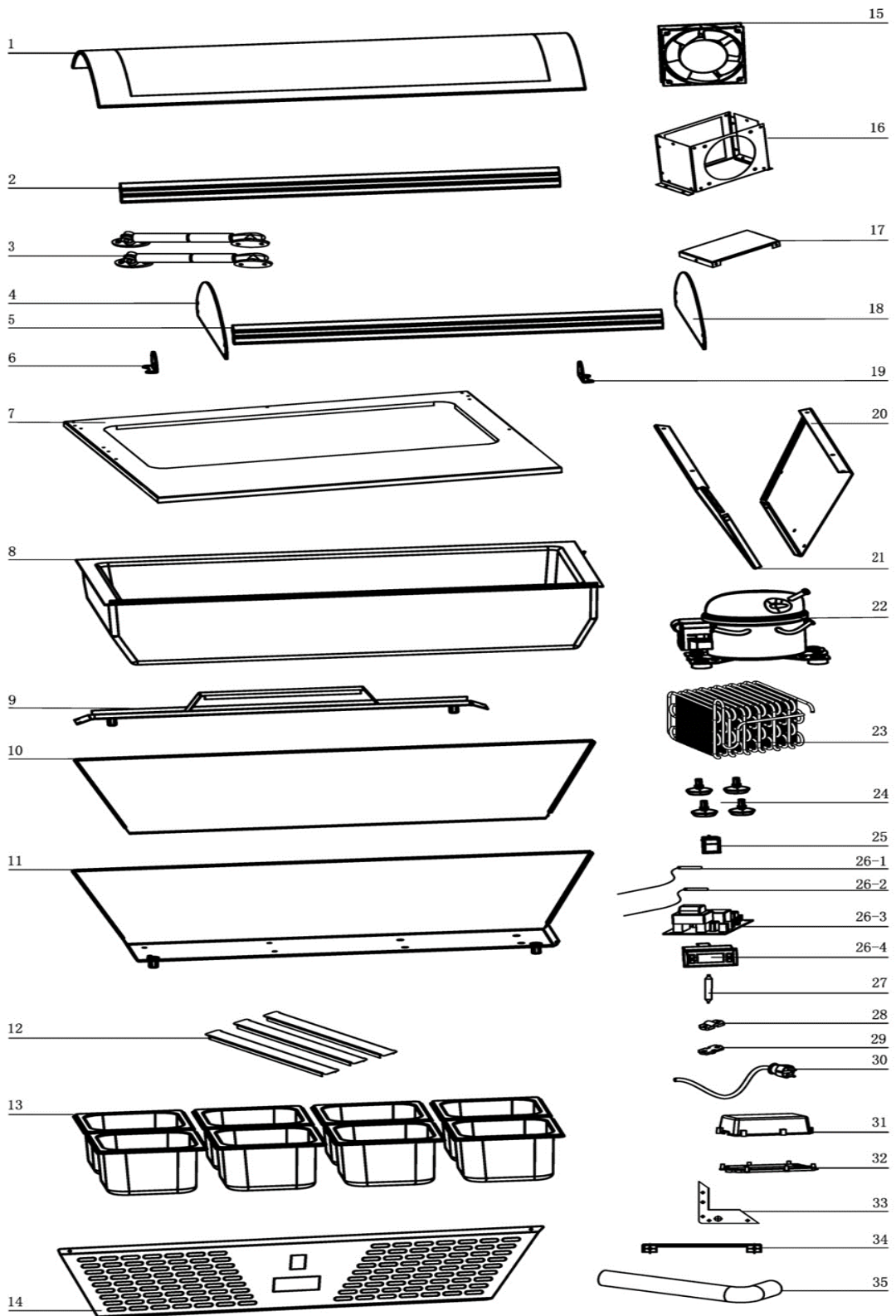
Onderdelen informatie
Erzatzteil information
Spare part information
Information de pièces



CombiSteel

7487.0040

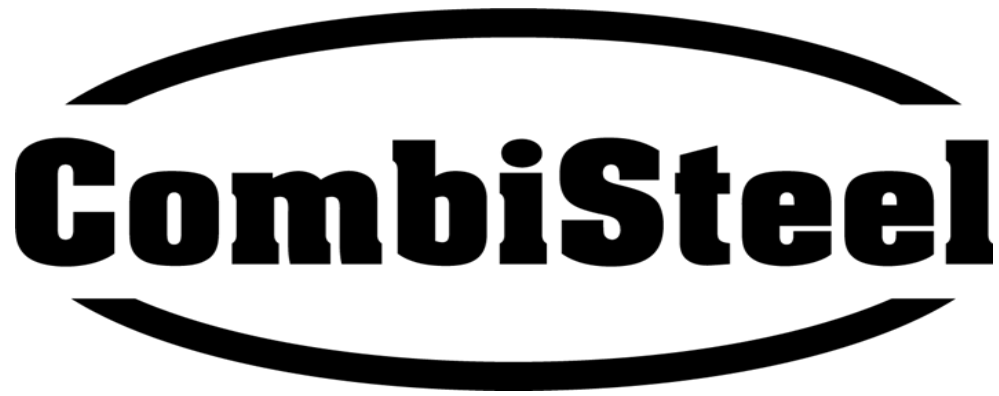






Onderdelenlijst 7487.0040

POS:	Art.No.:	Omschrijving:	Aantal:
1		safety glass cover	
2		top pillar	
3		pneumatic rod	
4		left fixer for safety glass cover	
5		glass cover front pillar assembly	
6		left fixer for toppilar	
7		upper panel	
8		foam base for housing	
9		left and right side panel	
10		rear panel	
11		base plate	
12		Number of copies tray support	
13		GN plate	
14		front panel	
15		fan motor	
16		cover for condensator	
17		upper cover for condensator	
18		Right fixing part of glass cover(with hole)	
19		right fixer for top pillar	
20		right side panel	
21		left side panel	
22		compressor	
23		condensator	
24		adjustable feet	
25		switch	
26--1		Temperature probe	
26--2		Defrost probe	
26--3		Main Circuit Board	
26--4		Temperature Display	
27		accumulator	
28		wire clamp holder	
29		wire clamp cover	
30		power cord	
31		control box	
32		control panel	
33		Chopping Board	
34		Supporter support	
35		Leakage pipe	



7487.0040

Combisteel BV

Lichtschip 63
3991CP Houten
The Netherlands

+31 (0)30 285 00 90
info@combisteel.com
www.combisteel.com