



CombiSteel

7178.0900

**Cold Fish Slab
Service Unit**

**Instruction & Maintenance
Manual**

“Professionally with Professionals”



DESCRIPTION

Our dear customer,

Your preferred KUSİNA is nature and technology friendly. We thank you for your choice.

KUSİNA has been produced with the understanding of "Total Quality" in modern production facilities.

Important Safety Information

Carefully read this guide and keep it for future review.

WARNING: Installation of the devices must be done by an authorized service person.

WARNING: Equipment must be grounded.



Indicates that there is a risk of personal injury or property damage.



Explosion / fire hazard.

- The instructions in this manual contain important information on the safe mounting, usage, cleaning and maintenance of the device. Thus, keep the manual at a place easily accessible by the person who will use the machine, and the technician.
- Manufacturer Company accepts no responsibility for the final damages that are caused by any procedure not conforming to the instruction manual, or maintenance or technical interventions that are not performed by authorized people.

MOUNTING INSTRUCTION

- Installation and adjustment of the device should be carried out by experienced technical staff.
- Device should be placed on a flat surface by suitably balancing on the adjustable legs.
- Remove the protective nylon on the device. Clean the adhesive particles left on the device with a suitable cleaner.

CLEANING

- The wastes in the service unit should be cleaned with the help of a cloth.
- Silicone and paint residues remaining on the service unit should be removed with the help of thinner.
- If there is glass in the service unit, it should be cleaned using glass cleaner.

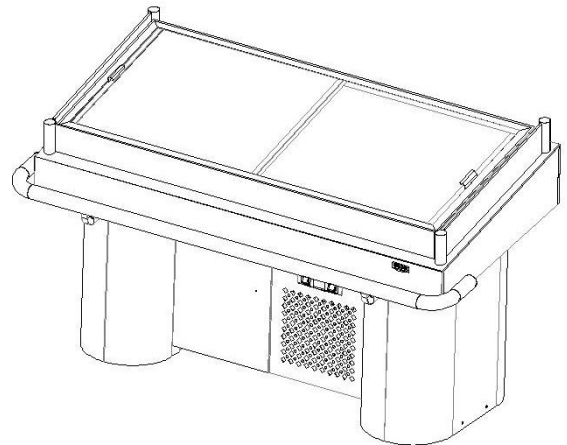
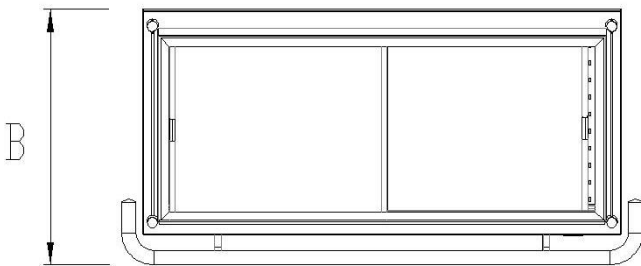
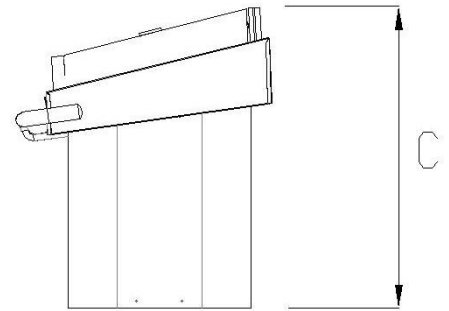
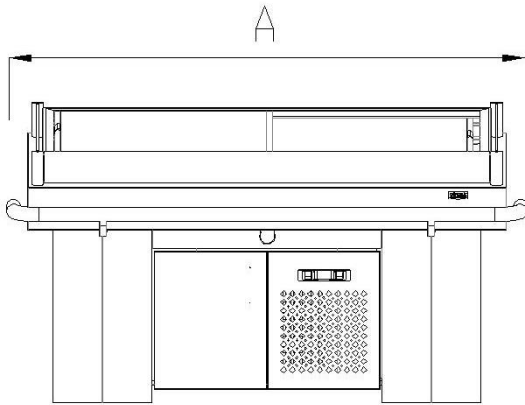
TRANSPORT

- When transporting, do not deposit the service unit unit strictly.
- With appropriate transport means, the service unit must be transported without any damage.

WORKPLACE IDENTIFICATION

Do not place the ventilation part in the service unit on the wall or prevent it from closing in any way. If the ventilation side of the service unit is coming from a wall, you should leave a space of at least 10 cm between the wall. Otherwise, your cabinet performance will decrease. Make sure that you are away from the heat generating devices and vehicles as much as possible. Be careful not to choose places that take direct sunlight. Fish Slab Service Unit Ambient Temperature 27 ° C is suitable for working according to climate conditions.

<i>Model</i>	<i>Width (A)</i>	<i>Depth (B)</i>	<i>Height (C)</i>	<i>Electrical Inlet (50-60 Hz)</i>	<i>Power</i>	<i>Gas Type</i>	<i>Weight (kg)</i>	<i>Volume (m³)</i>
S-BT80SH17	1700	800	1045	220 V 1N PE	1 kW	R-134A	150 kg	1.85
S-BT90SH14	1400	900	1045	220 V 1N PE	1 kW	R-134A	140 kg	1.72
S-BT90SH17	1700	900	1045	220 V 1N PE	1 kW	R-134A	168 kg	2.06
S-BT90SH40	4000	900	1045	220 V 1N PE	1,1 kW	R-134A	384 kg	4.70
S-BT90SH50	5000	900	1045	220 V 1N PE	1,1 kW	R-134A	476 kg	5.83



FIRST OPERATING

- Wait for 1 hour before switching on the appliance.
- Make a general cleaning before you start. You can use soapy water.
- First run the device in a hollow position for 3-4 hours
- By pressing the ON-OFF button on the digital thermostat with service unit, turn it from OFF to ON
- Press the SET key on the digital thermostat (until the blinking light appears) and set the digital temperature setpoint to the desired value with the up and down arrow keys and press the SET button again. Service unit is ready for use when it reaches the desired degree.

DIGITAL THERMOSTAT USER MANUAL



Displays setting values; approve values in programming mode



(UP) Displays the measured maximum temperature, in programming mode to change parameters and to raise values.



(DOWN) Displays the measured minimum temperature, in programming mode change parameters and lower values.



It turns the device on and off.

KEY COMBINATIONS

+ Locks the keypad and unlocks the keypad.

SET + Enables switching to programming mode.

SET + Provides output from programming mode

SEE MINIMUM TEMPERATURE

1 - Press the DOWN key

2 - The message "lo" is displayed first, followed by the minimum temperature value.

After waiting 3-5 seconds, the display returns to normal display.

SEE MAXIMUM TEMPERATURE

1 - Press UP

2 - After the "hi" message, the maximum temperature is displayed on the screen

After waiting 3-5 seconds, the display returns to normal display.

RESERVATION OF SAVED TEMPERATURES

While pressing the SET key for more than 3 seconds and the maximum or minimum temperature is displayed, the "rST" message flashes and the normal temperature is displayed again.

DISPLAY AND ADJUSTMENT OF SETTING VALUES

Press and hold the SET key for 2 seconds to display the set values and
The unit flashes in ° C.

You can set the values with the UP and DOWN keys and then confirm by pressing the SET key.

LOCKING THE KEYBOARD

When the UP and DOWN keys are pressed for 3 seconds at the same time, the keypad is locked and "POF" message is displayed.

When the same operation is repeated, "PON" message appears on the screen and the key lock is opened.

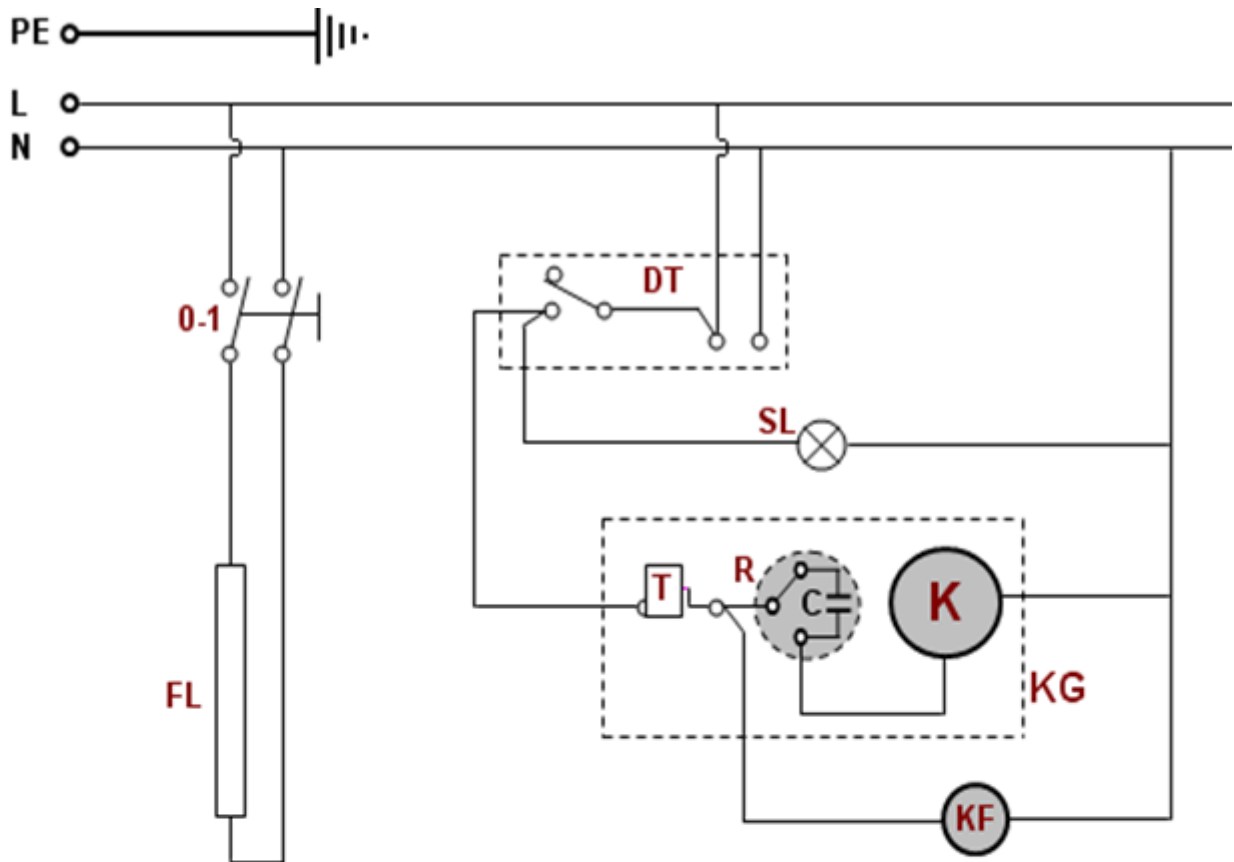
All repairs to the machine must be carried out by an authorised repair agent. When a repair is required or you are unable to eliminate the failure with the help of the information below:

PRODUCT SUPPORT

Help is always at hand:

All repairs to the machine must be carried out by an authorised repair agent. When a repair is required or you are unable to eliminate the failure with the help of the information below:

CHEMATIC & WIRING DIAGRAM



L	PHASE
N	NOTR
PE	GROUNDING
0-1	ON-OFF SWITCH
FL	FLUORESCENT LAMP
SL	SIGNAL LAMP
R	RELAY
DT	DIGITAL THERMOSTAT
T	THERMIC
K	COMPRESSOR
C	CONDANSER
KF	CONDANSER FAN
KG	COMPRESSOR GROUP