

# ecofrost

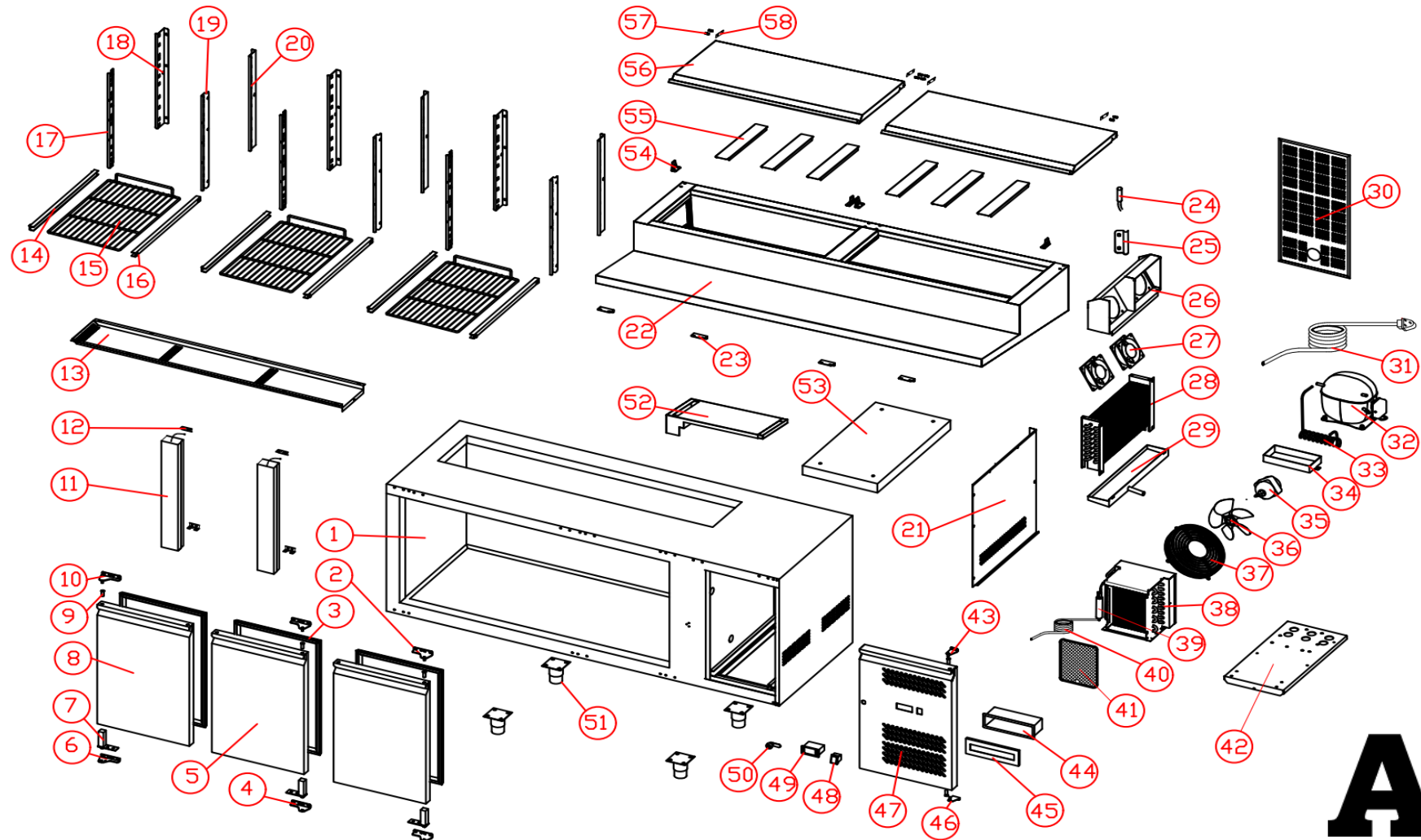
**7950.5190**

**v1.0**

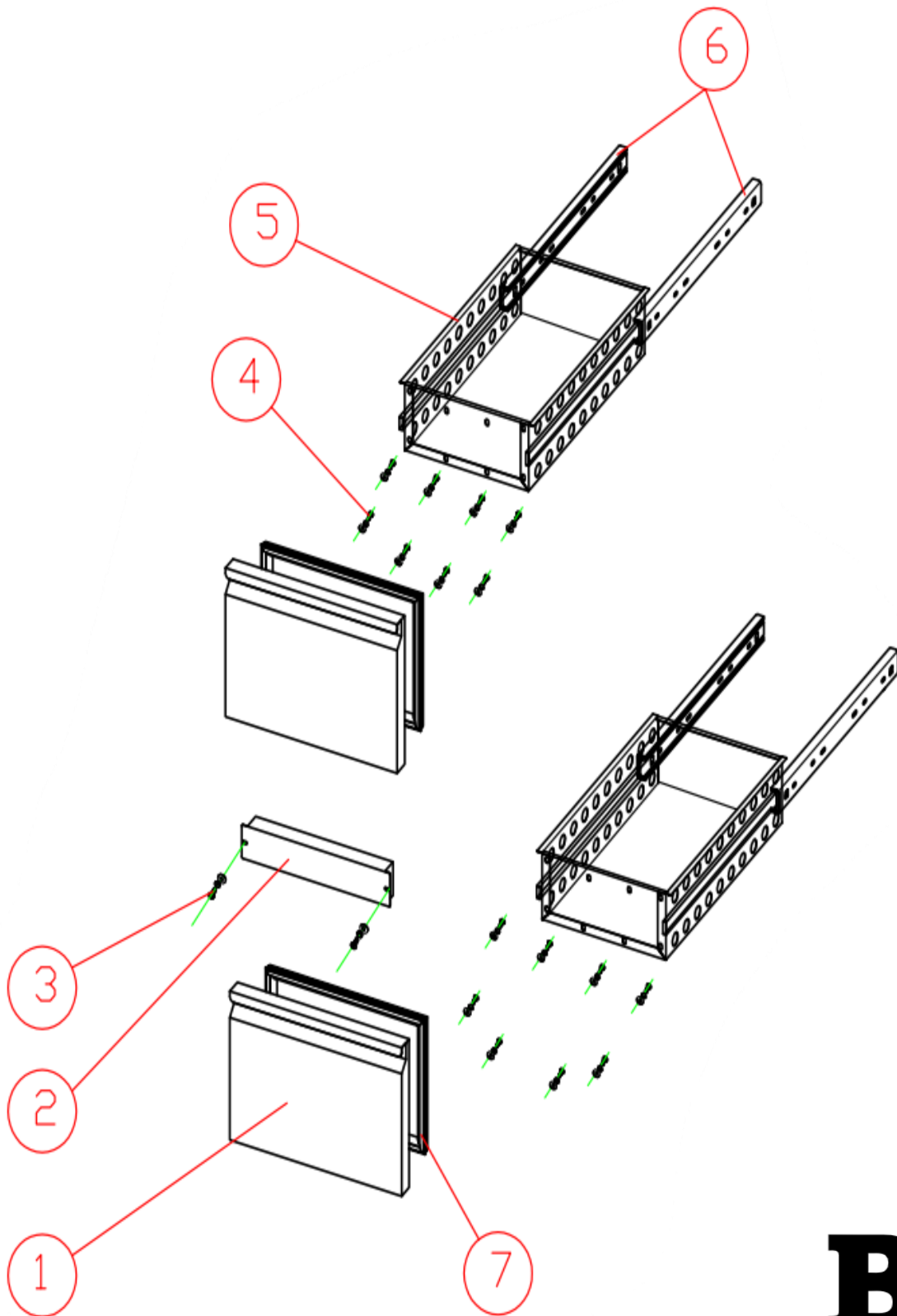
Onderdelen informatie  
Erzatzteil information  
Spare part information  
Information de pièces







# A



**B**

POS:	Art.No.:	Omschrijving:	Aantal:
1	**	cabinet	1
2	CS9338.3905	right upper hinge	2
3	CS9338.3350	door gasket	3
4	CS9338.3910	right bottom hinge	2
5	CS9338.3755	door(right )	2
6	CS9338.3920	left bottom hinge	1
7	CS9338.3080	spring hinge	3
8	CS9338.3780	door(left )	1
9	CS9338.3275	door axis sleeve	5
10	CS9338.3915	left upper hinge	1
11	**	middle beam	2
12	**	middle beam connect	4
13	**	air guide board	1
14	CS9338.3026	left shelf guide	3
15	CS9338.3025	shelf	3
16	CS9338.3026	right shelf guide	3
17	CS9338.3817	beam hang strip(left)	3
18	CS9338.3815	rear hang strip(left)	3
19	CS9338.3818	beam hang strip(right)	3
20	CS9338.3816	rear hang strip(right)	3
21	**	fan cover	1
22	**	counter top	1
23	**	top fixing plate	4
24	CS9338.3515	probe	1
25	**	probe cover	1
26	**	eva. Fan cover	1
27	CS9338.3540	eva. Fan	2
28	CS9338.3005	evaporator	1
29	CS9338.3220	evapotaror drain pan	1
30	**	back cover	1
31	CS9338.3530	power cord	1
32	CS9338.1676	compressor	1
33	CS9338.3960	high pressure pipe	1
34	CS9338.3225	outer drain pan	1
35	CS9338.3615	cond. Fan motor	1
36	CS9338.3215	cond. Fan blade	1
37	CS9338.3585	cond.fan cover	1
38	CS9338.3450	condenser	1
39	CS9338.3460	dryer filter	1
40	CS9338.3190	capillary	1
41	CS9338.3260	dryer filter	1
42	**	cooling unit board	1
43	CS9338.3925	control panel upper hinge	1
44	CS9338.3930	plastic water-proof box	1

<b>POS:</b>	<b>Art.No.:</b>	<b>Omschrijving:</b>	<b>Aantal:</b>
45	CS9338.3935	plastic water-proof box cover	1
46	CS9338.3940	control paner bottom hinge	1
47	CS9338.3070	panel	1
48	CS9344.0105	power switch	1
49	CS9338.3210	controller	1
50	CS9338.3115	door lock	1
51	CS9338.3325	feet	4
52	**	counter top air guide board	1
53	**	air separation plate	1
54	CS9338.3010	hinge axis base	2
55	**	cachepot	6
56	**	flexible cover	2
57	CS9338.3950	cover axis	8
58	CS9338.3200	fixed block	4
B1	CS9338.3770	drawer door	2
B2	CS9338.3685	beam	1
B3	**	screw(M4*12)	2
B4	**	screw(M5*12)	16
B5	**	drawer	2
B6a	CS9338.3650	guide	2
B6b	CS9338.3655	guide	2
B7	CS9338.3360	drawer door gasket	2

\*\* = No article number known, must be requested specifically.



The logo for 'ecofrost' features the word 'ecofrost' in a bold, blue, sans-serif font. Above the letter 'o' in 'eco', there is a stylized graphic consisting of a light blue arc and a dark blue four-pointed starburst.

**ecofrost**

**7950.5190**

## **Combisteel BV**

Lichtschip 63  
3991CP Houten  
The Netherlands

+31 (0)30 285 00 90  
[info@combisteel.com](mailto:info@combisteel.com)  
[www.combisteel.com](http://www.combisteel.com)