

CombiSteel

7476.0010

v1.0

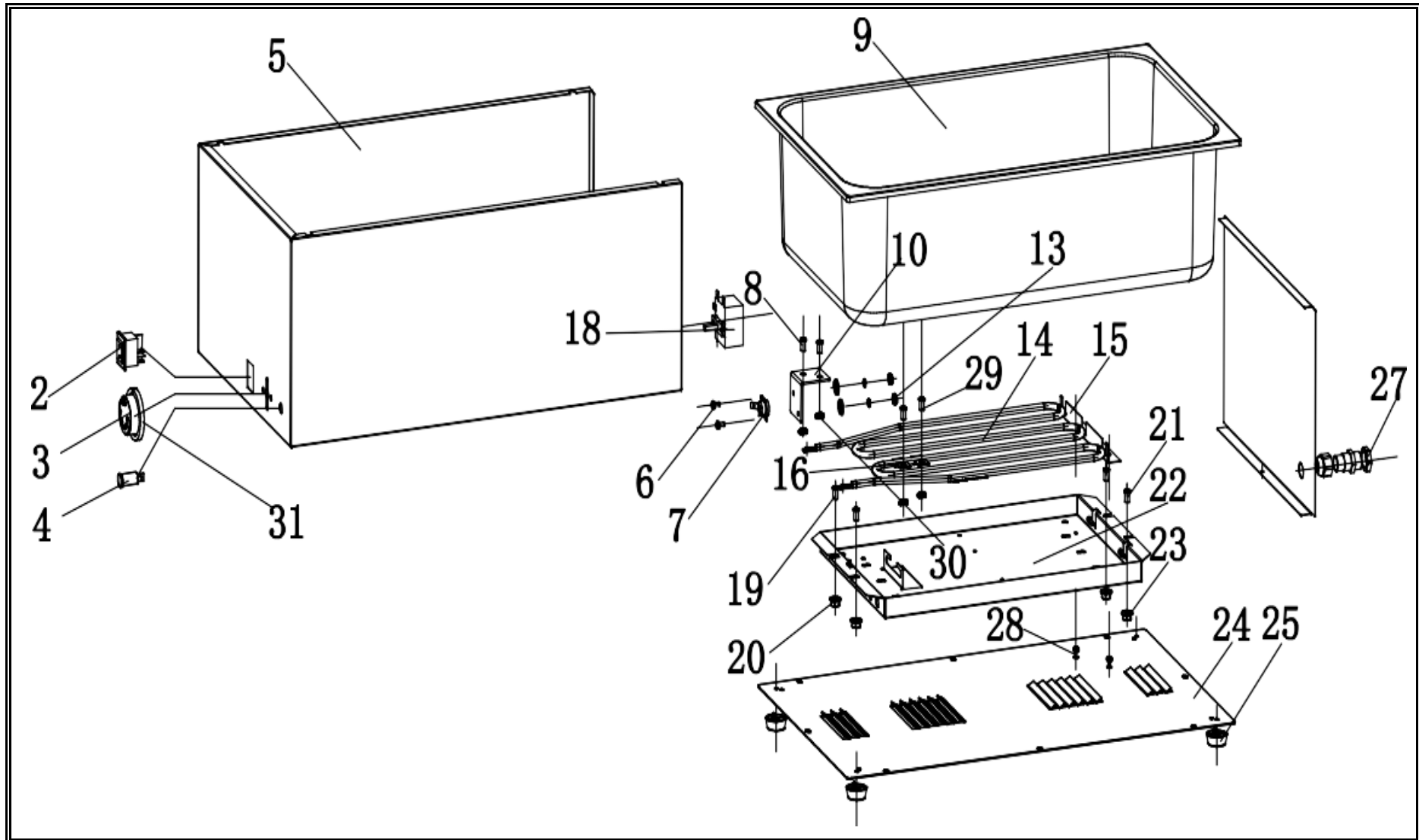
Onderdelen informatie
Erzatzteil information
Spare part information
Information de pièces



CombiSteel

7476.0010

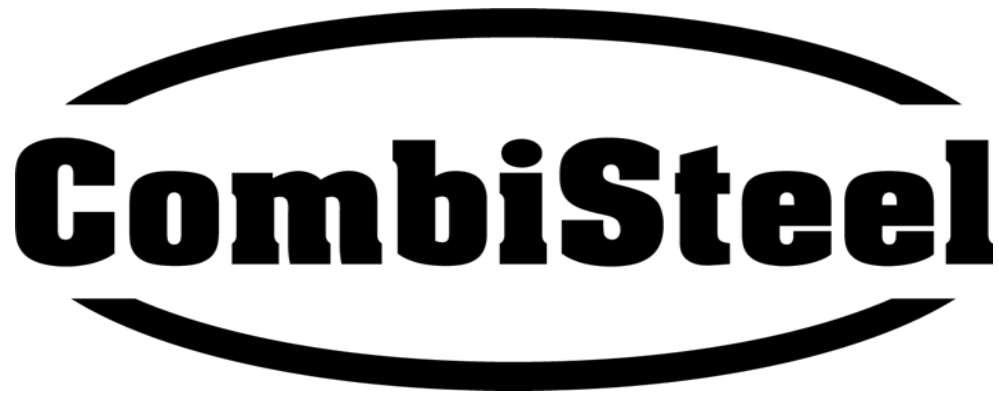






Onderdelenlijst 7476.0010

POS:	Art.No.:	Omschrijving:	Aantal:
2	CS9030.0511	Waterproof Switch	1
3		Controller Rotating Cover	1
4		Indicator Light	1
5		Large Peripheal Board	1
6		Cross Screw M3x10	2
7	CS9332.0520	Temperature Limitor	1
8		Stud Welding M5x10	2
9		Inner Tank	1
10		Temperature Limitor Support	1
13		Nut M3	1
14	CS9895.0820	Heater	1
15		Heater Bracket	1
16		Heater Pressing Plate	2
18	CS9030.0155	Controller	1
19		Stud Welding M5x10	10
20		Non-slip Nut M5	7
21		Stud Welding M5x10	1
22		Heater Access Panel	1
23		Non-slip Nut M5	8
24		Baseboard	1
25	CS9830.0136	Plastic Feet	4
27		Power Cord Assembly	1
28		Rivet 3,2x7	2
29		Stud Welding M5x10	1
30		Nut M5	1
31		Rotating Mount Base	1
A		Wiring	1
B		Power Line	1
C		Wire Clamp	3



7476.0010

Combisteel BV

Lichtschip 63
3991CP Houten
The Netherlands

+31 (0)30 285 00 90
info@combisteel.com
www.combisteel.com