



Model : _____

Item : _____

Name: _____

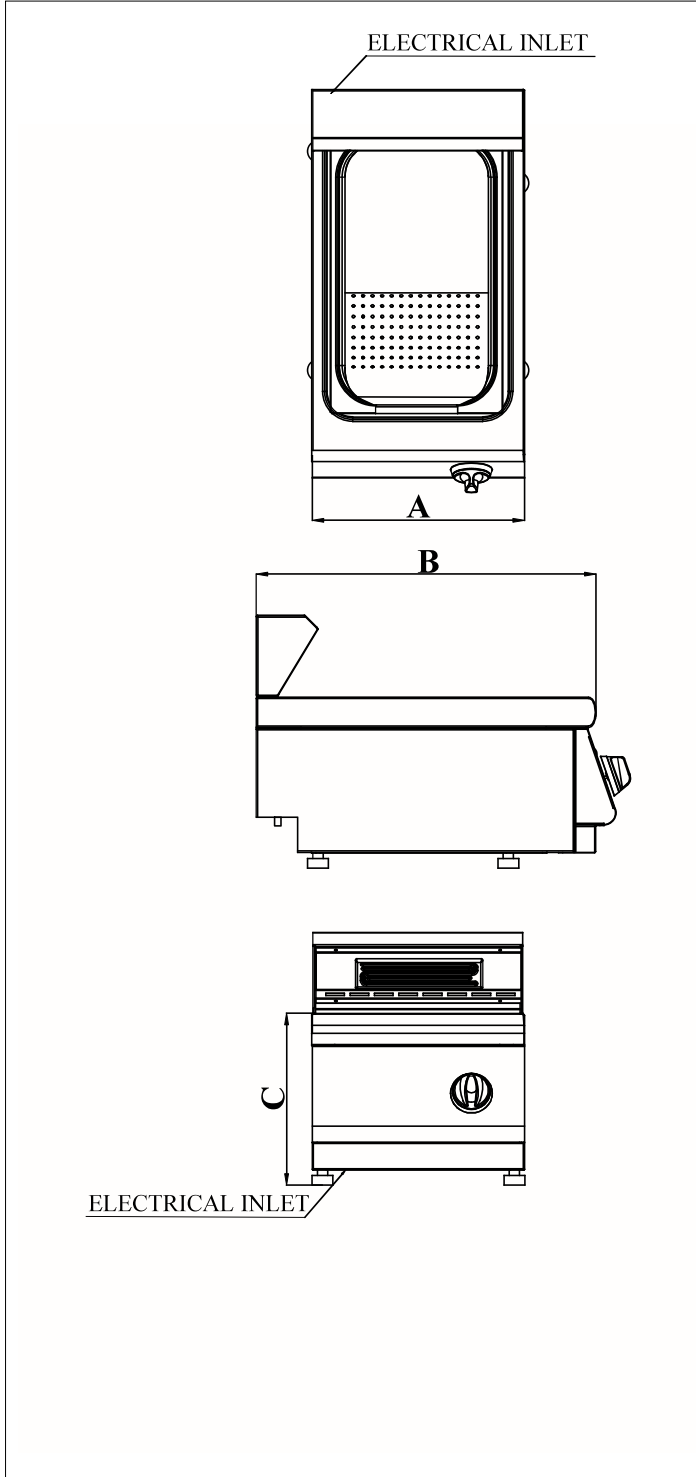
Main Features

- Stainless steel body
- Easy to clean and hygienic
- Ergonomic design
- Adjustable feet
- Long life, easy to operate and maintenance
- GN 1/1 potato hopper with oil strainer
- Removable and easy to clean potato reservoir
- Ceramic heater

Short Form Specification

Construction

APPROVAL: _____



Code	7178.0345
Width (A) mm	400
Depth (B) mm	700
Height (C) mm	300
Gross Weight (kg)	22,5
Gross Volume (m ³)	0,18
Power	1 kW
Electrical Inlet	230V 1N PE