



Model : \_\_\_\_\_

Item : \_\_\_\_\_

Name: \_\_\_\_\_

### Main Features

- Stainless steel body
- Easy to clean and hygienic
- Ergonomic design
- Adjustable feet
- Doorless models with doors
- Long life, easy to operate and maintenance.
- Smooth fry top
- ST 52 steel 12 mm thick griddle plate
- Cooking surface perimeter is 3 mm thick stainless steel
- Slightly sloped cooking surface , easy and convenient for cleaning, with liquid discharge hole.
- Homogenous heated cooking surface
- Waste oil drawer
- Insulation to prevent overheating of the and reduce energy losses
- Thermostatic temperature control
- Operating temperature range (50-300°C)

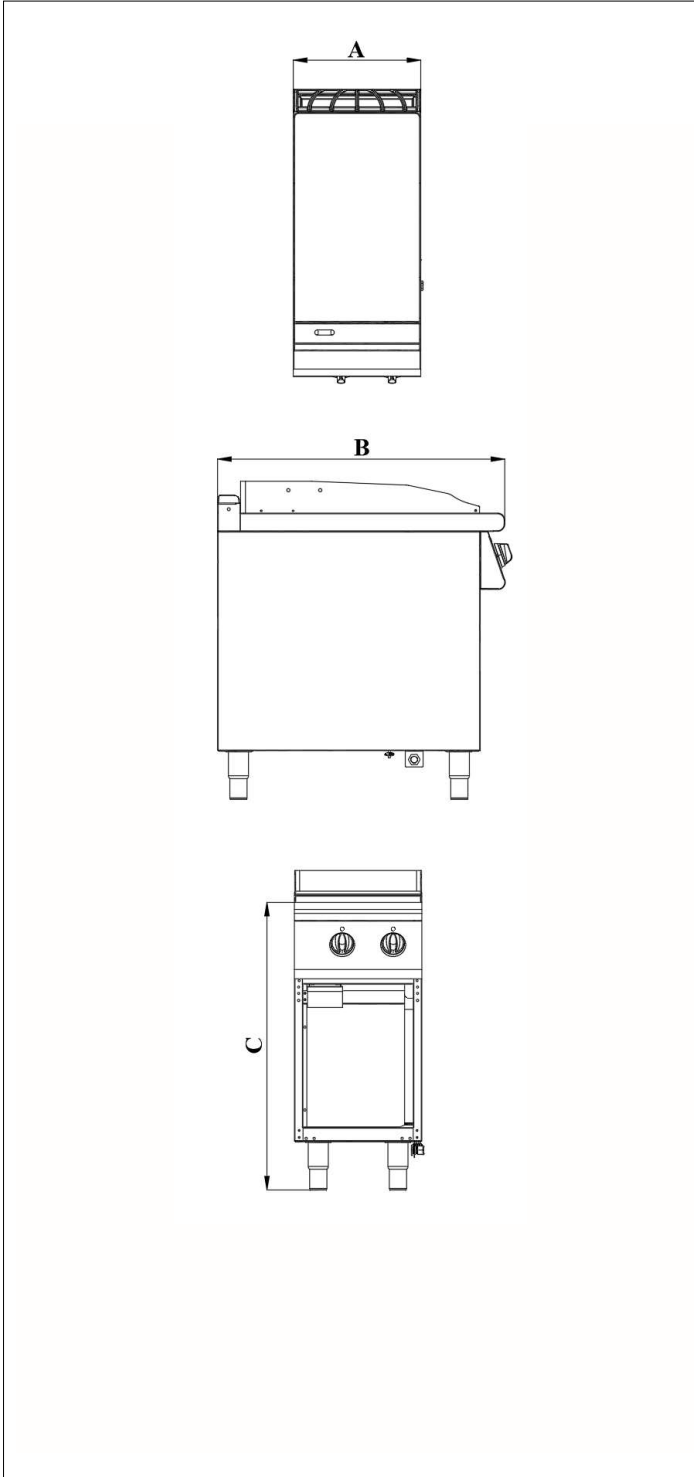
### Short Form Specification

### Construction

APPROVAL: \_\_\_\_\_

Electrical Fry Top

7178.3160



Code	7178.3160
Width (A)	400 mm
Depth (B)	900 mm
Height (C)	900 mm
Gross Weight (kg)	57 kg
Gross Volume (m <sup>3</sup> )	0.56 m <sup>3</sup>
Gas Inlet	
Electrical Inlet	400V 3N PE
Power	6 kW
Capacity	

Electrical Fry Top

900 Series

