



Spare part information

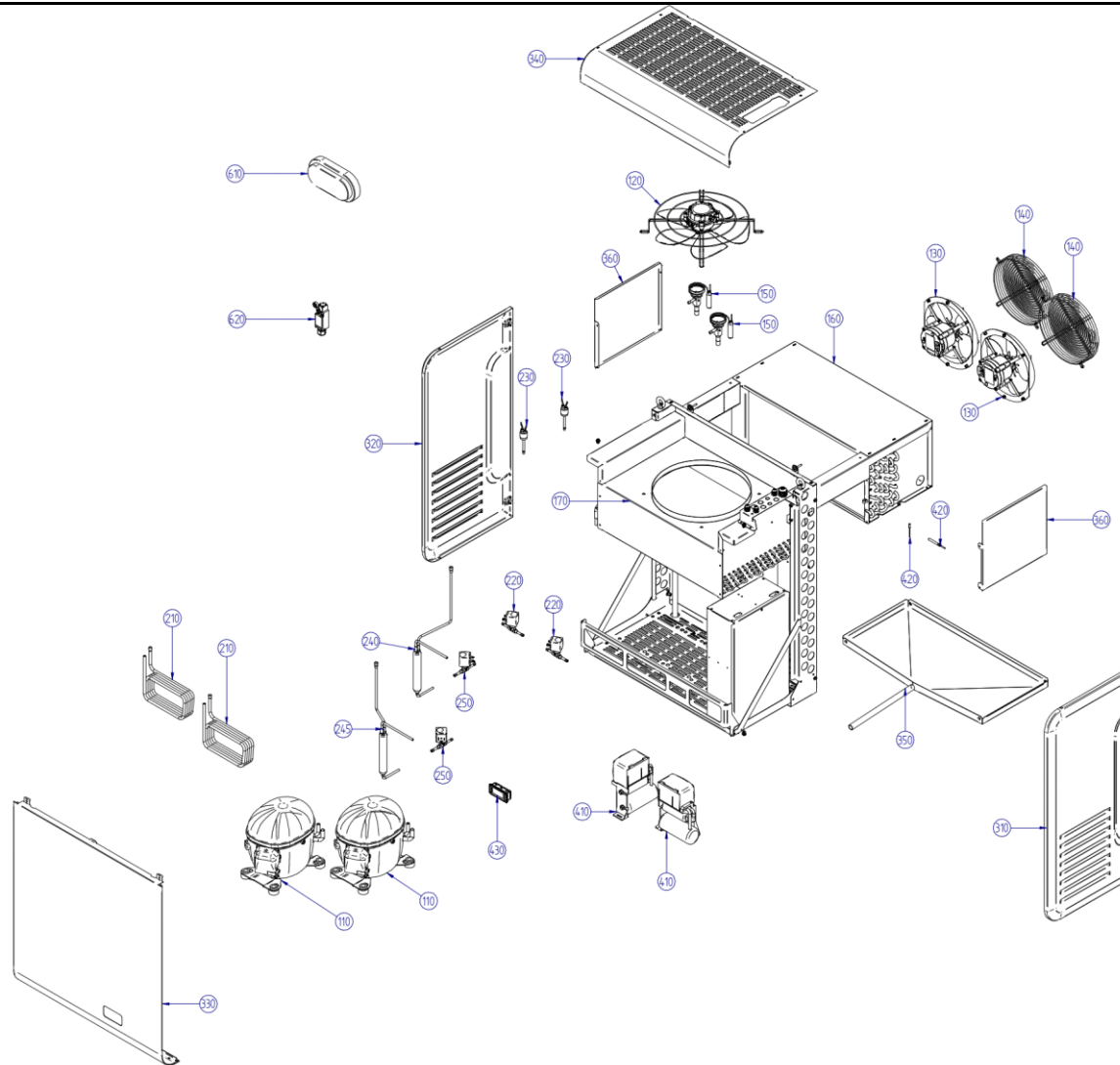
7265.1070

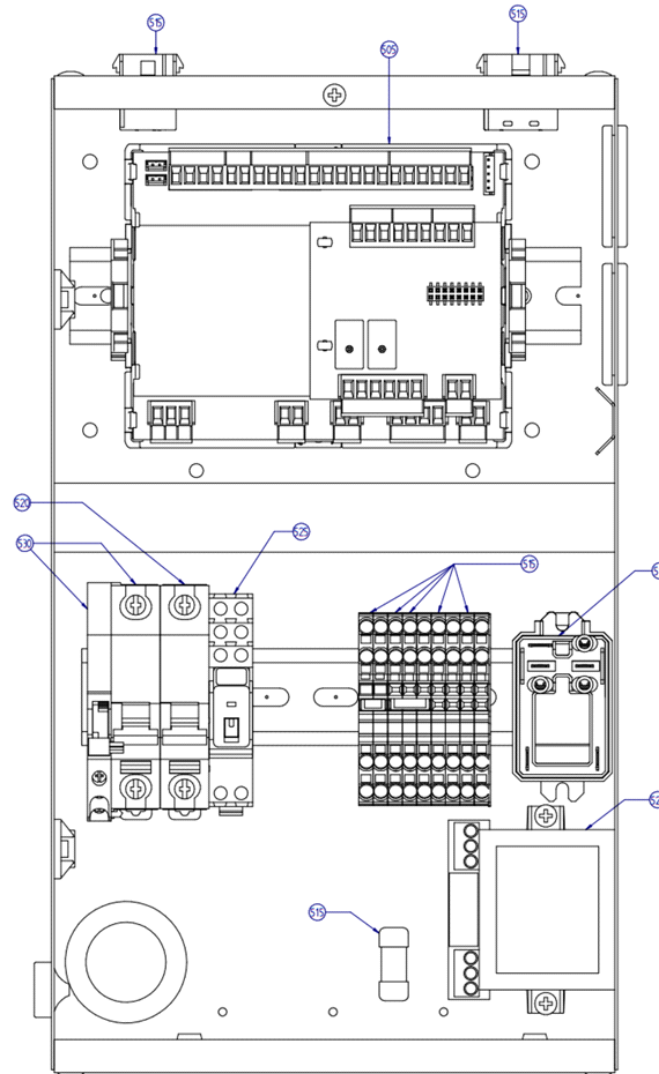


CombiSteel

7265.1070









Spare part list 7265.1070

POS:	Art.No.:	Omschrijving:	Aantal:
110	**	COMPRESSOR + FEET + ELECTRICAL BOX	
120	CS9296.0322	MOTOR + FAN + FIXING BRACKET	
130	CS9296.0330	MOTOR + FAN + FIXING BRACKET	
140	**	EVAPORATOR FAN GUARD	
150	CS9296.0262	THERMOSTATIC EXPANSION VALVE WITH COIL	
160	**	EVAPORATOR HEAT EXCHANGER	
170	**	CONDENSER HEAT EXCHANGER	
210	**	CONDENSATE DRYER TUBE	
220	CS9296.0270	SOLENOID VALVE + COIL + CONNECTOR	
230	CS9296.0280	WIRED PRESSURE SWITCH + FAST CONNECTION	
240	**	SUB-ASSY CIRCUIT 1	
245	**	SUB-ASSY CIRCUIT 2	
250	CS9296.0270	SOLENOID VALVE + COIL + CONNECTOR	
310	**	RIGHT SIDE PANEL + HARDWARE	
320	**	LEFT SIDE PANEL+ HARDWARE	
330	**	FRONT PANEL + STICKER + HARDWARE	
340	**	TOP PANEL + HARDWARE	
350	CS9296.0130	EVAPORATOR TRAY + HARDWARE	
360	**	RIGHT AND LEFT EVAPORATOR PANELS + HARDWARE	
410	**	COMPRESSOR ELECTRICAL BOX	
420	CS9296.0010	COLD ROOM AND EVAPORATOR TEMPERATURE PROBES + D	
430	CS9296.0310	DISPLAY + KEYBOARD	
505	CS9296.0300	ELECTRICAL BOARD BEST SERIES	
510	**	KL1 - COMPRESSOR RELAY	
515	**	CONNECTOR S+ FUSE + CLAMPS	
520	CS9296.0180	TC1 POWER TRANSFORMER + QM2 - MAGNETOTHERMIC SWI	
525	CS9296.0190	KL3 - PRESSURE SWITCH RELAY + SOCKET	
530	**	QM1 - COMPRESSOR MAGNETOTHERMIC SWITCH + AUXILIAR	
610	**	COLD ROOM LIGHT	
620	CS9296.0122	DOOR MICRO-SWITCH	
.		## = Parts cannot be ordered separately.	
.		** = No article number known, must be requested specifically.	



7265.1070

Combisteel BV

Lichtschip 63
3991CP Houten
The Netherlands

+31 (0)30 285 00 90
info@combisteel.com
www.combisteel.com