



COOKER W/ GAS, 2 BURNERS, COUNTER TOP

7178.0200



Model : _____

Item : _____

Name: _____

Main Features

- Adjustable legs
- Available with 1,2,4 and 6 burners
- Durable
- Ergonomic design
- Nickel coated cast iron burners
- Protected Pilot Flame
- Quick easy cleaning
- Removable bottom burner tray for easy cleaning and maintenance
- Scratch-proof enamel coated cast iron top plates and back grate
- Self stabilizing flame
- Stainless steel body
- Stainless steel double-wall insulated door
- Thermostat temperature control with safety oven valve and thermocouple

Short Form Specification

Construction

APPROVAL: _____

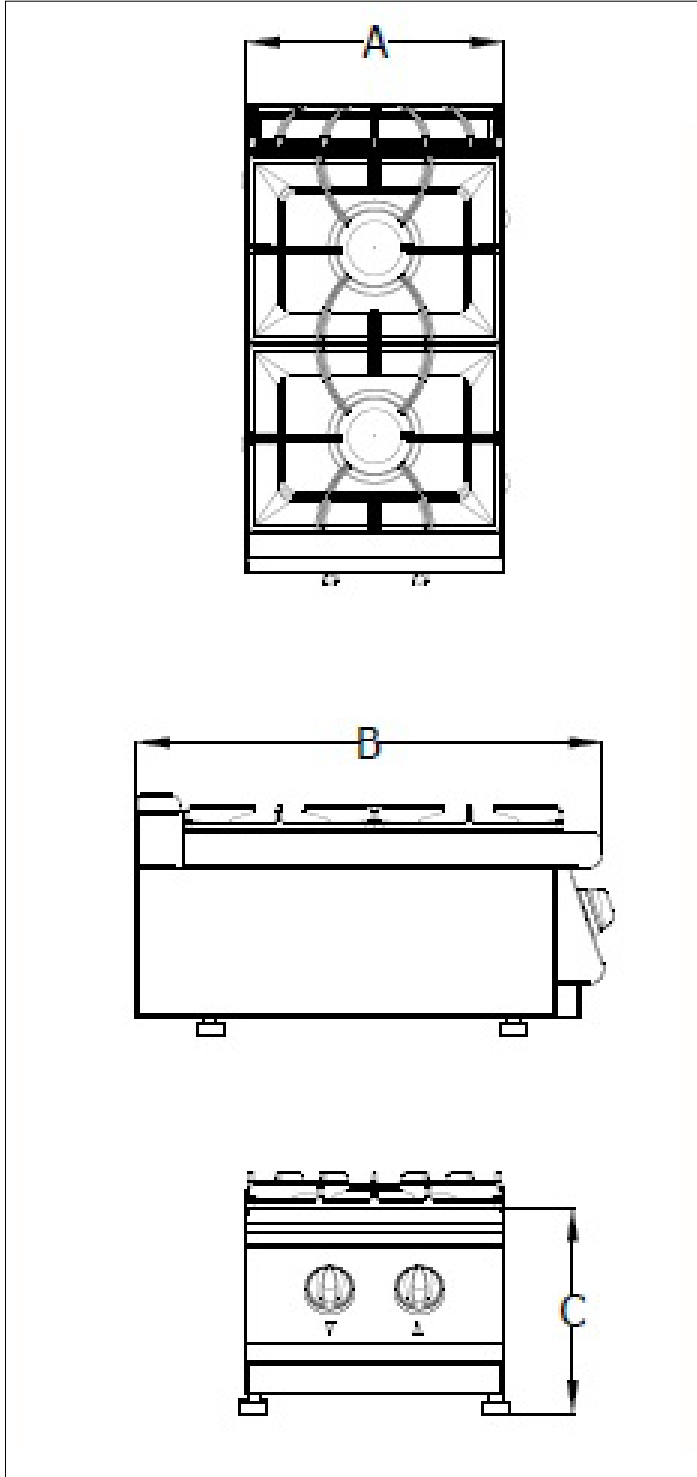


www.combisteel.com

COOKER W/ GAS, 2 BURNERS, COUNTER TOP

700-S Series

7178.0200



Code	7178.0200
Width (A)	400
Depth (B)	700
Height (C)	300
Gross Weight (kg)	32,5 kg
Gross Volume (m3)	0,24 m3
Gas Inlet	R ½ "
Electrical Inlet	
Power	13 kW
Capacity	