

DEEP FAT FRYER W/ GAS

## 7178.0515



### Short Form Specification

Model : \_\_\_\_\_

Item : \_\_\_\_\_

Name: \_\_\_\_\_

### Main Features

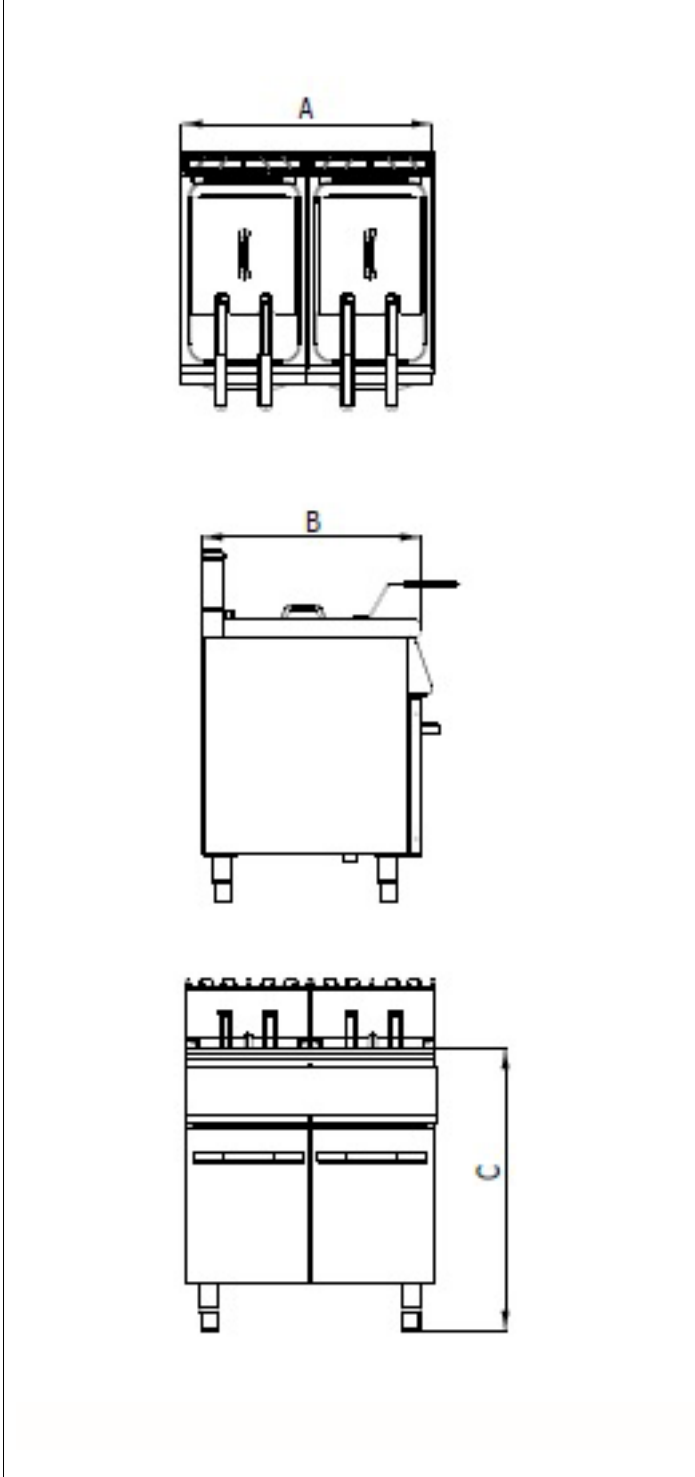
- Adjustable temperature
- Fryer with storage cabinet
- High efficient gas combustion system
- Operation and heating control indicator lights
- Piezo spark ignition
- Scratch-proof and enameled cast iron back grate
- Single or double tanks models
- Stainless steel baskets
- Thermostat temperature control
- Single or double container models
- Single or double tank options
- Stainless steel baskets

### Construction

APPROVAL: \_\_\_\_\_

DEEP FAT FRYER W/ GAS

**7178.0515**



Code	<b>7178.0515</b>
Width (A)	800
Depth (B)	700
Height (C)	900
Gross Weight (kg)	121 kg
Gross Volume (m3)	0,84 m3
Gas Inlet	R ½ "
Electrical Inlet	
Power	30 kW
Capacity	2x15 lt

DEEP FAT FRYER W/ GAS

700 Series