

DROP IN


DRY BAIN-MARIE WELL / CUBA BAÑO MARIA SECO VENTILADO / BAIN
MARIE À AIR



DC6-BS2 : CBMS6-2
DC6-BS3 : CBMS6-3
DC6-BS4 : CBMS6-4
DC6-BS5 : CBMS6-5
DC6-BS6 : CBMS6-6
DC7-BS2 : CBMS7-2 : 7495.0265
DC7-BS3 : CBMS7-3 : 7495.0270
DC7-BS4 : CBMS7-4 : 7495.0275
DC7-BS5 : CBMS7-5 : 7495.0280
DC7-BS6 : CBMS7-6

Ref:	A070200006
Vers.	2

Please check your equivalent model in the equivalent table
Consulte su modelo equivalente en la tabla de equivalencias
Consultez votre modèle équivalent dans le tableau d'équivalences

				
PRECAUCIÓN	TENSIÓN PELIGROSA	LEA LAS INSTRUCCIONES	TIERRA DE PROTECCIÓN	EQUIPOTENCIALIDAD
PRÉCAUTION	TENSION DANGEREUSE	LISEZ LES INSTRUCTIONS	TERRE DE PROTECTION	ÉQUIPOTENTIALITÉ
WARNING	HAZARDOUSVOLTAGE	PLEASE READINSTRUCTIONS	PROTECTIVEEARTH	EQUIPOTENTIAL BONDING

Instruction manual	11
Installation and Operation	
Manual de instrucciones	19
Uso y mantenimiento	
Manuel d'instructions	27
Installation et fonctionnement	

MACHINES DRAWING ELECTRICAL & DRAIN SITUATIONS / PLANOS TÉCNICOS EN SITUACIONES ELÉCTRICAS O DRENAJE / PLAN TECHNIQUE EN SITUATION DU ÉLECTRICITÉ OU VIDANGE (DC6/ DC7)

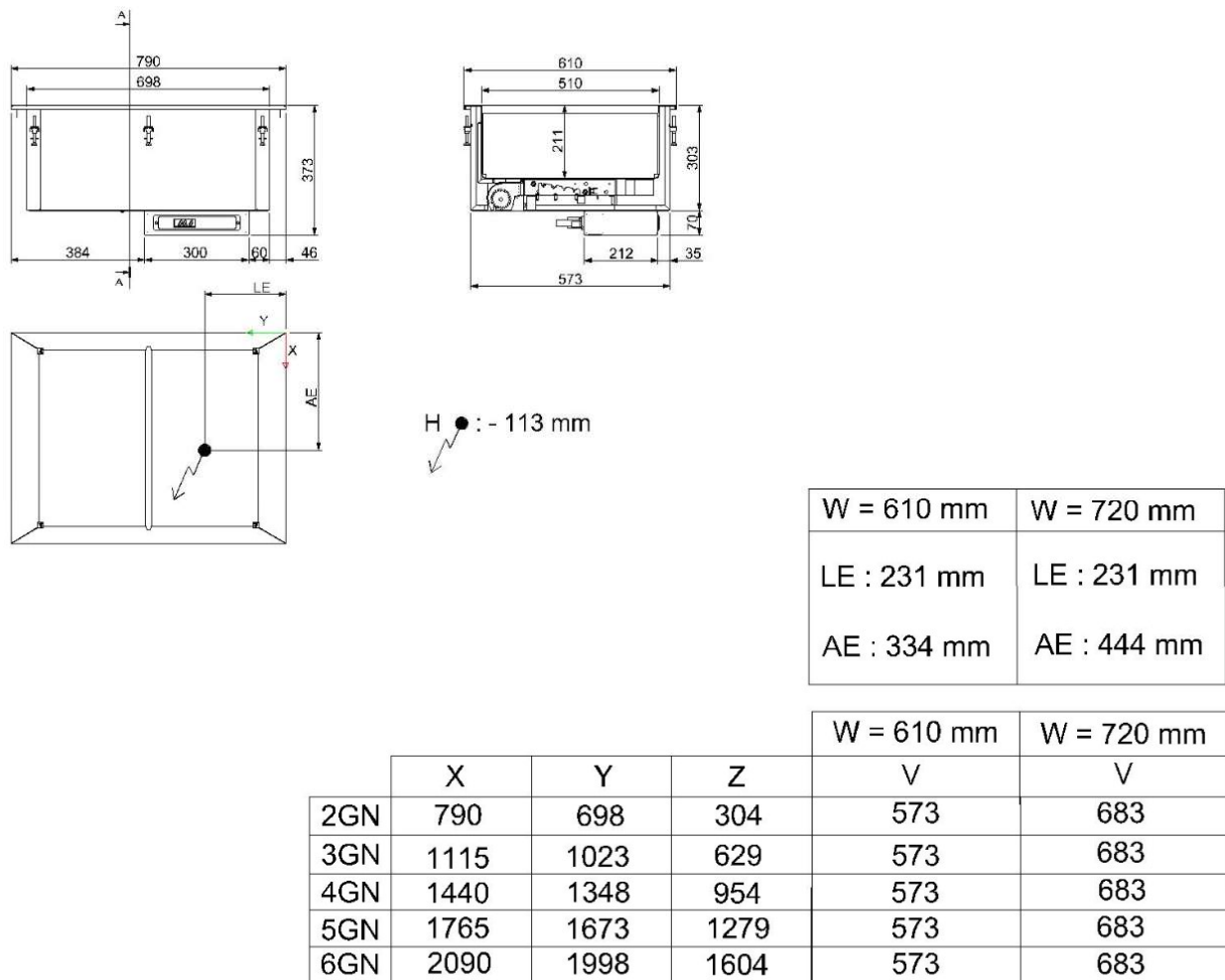


Fig 1.

MACHINES DRAWING ELECTRICAL & DRAIN SITUATIONS / PLANOS TÉCNICOS EN SITUACIONES ELÉCTRICAS O DRENAJE / PLAN TECHNIQUE EN SITUATION DU ÉLECTRICITÉ OU VIDANGE (DC16)

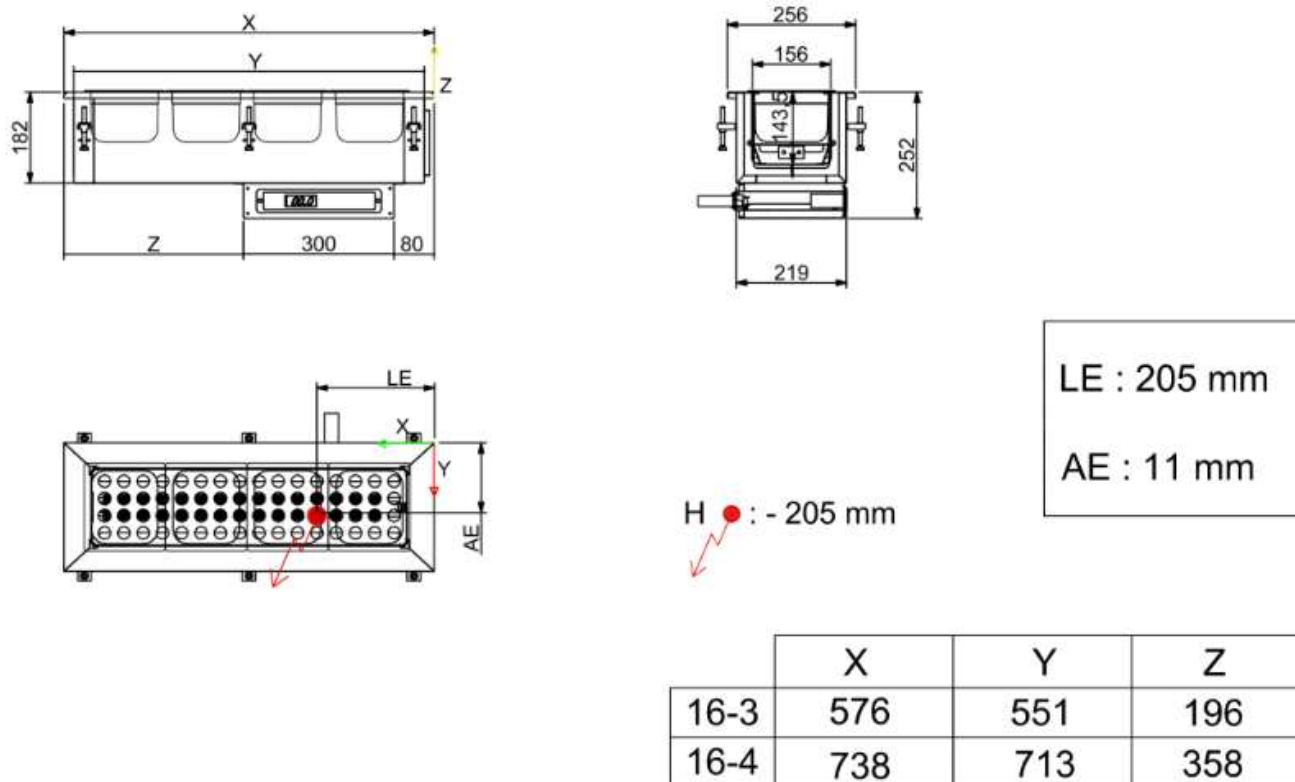


Fig 8

TECHNICAL CHARACTERISTICS / CARACTERÍSTICAS TÉCNICAS / CARACTÉRISTIQUES TECHNIQUES

Model/ Modelo/ Modèle	Capacity (GN)/ Capacidad (GN)/ Capacité (GN)	Dimensions (mm)/ Medidas (mm)/ Dimensions (mm)	Cut-Out Dimensions (mm)/ Medidas Encastre (mm)/ Dimensions D'encastrement (mm)	Voltage/ Voltaje/ Voltage	Electrical Power (W)/ Potencia Eléctrica (W)/ Puisance Électrique (W)	Work Temperature (°C)/ Temperatura de trabajo (°C)/ Température de travail (°C)
DC6-BS2	2	790x610x373	765x585	230/ I /50-60 HZ	1550	+30°C / +120°C
DC6-BS3	3	1115x610x373	1090x585		1550	
DC6-BS4	4	1440x610x373	1415x585		2050	
DC6-BS5	5	1765x610x373	1740x585		3080	
DC6-BS6	6	2090x610x373	2065x585		3610	
DC7-BS2	2	790x720x373	765x690		1550	
DC7-BS3	3	1115x720x373	1090x690		1550	
DC7-BS4	4	1440x720x373	1415x690		2050	
DC7-BS5	5	1765x720x373	1740x690		3080	
DC7-BS6	6	2090x720x373	2065x690		3610	

Model/ Modelo/ Modèle	Capacity (GN 1/6)/ Capacidad (GN 1/6)/ Capacité (GN 1/6)	Dimensions (mm)/ Medidas (mm)/ Dimensions (mm)	Cut-Out Dimensions (mm)/ Medidas Encastre (mm)/ Dimensions D'encastrement (mm)	Voltage/ Voltaje/ Voltage	Electrical Power (W)/ Potencia Eléctrica (W)/ Puisance Électrique (W)	Work Temperature (°C)/ Temperatura de trabajo (°C)/ Température de travail (°C)
DC6-BS3	3	576x256x252	551x227	230/ I /50-60 HZ	860	+30°C / +120°C
DC6-BS4	4	738x256x252	713x227		1210	

Tab 1.

DROP IN ASSEMBLY / MONTAJE DEL DROP IN / ASSEMBLAGE D'ENCASTREMENT

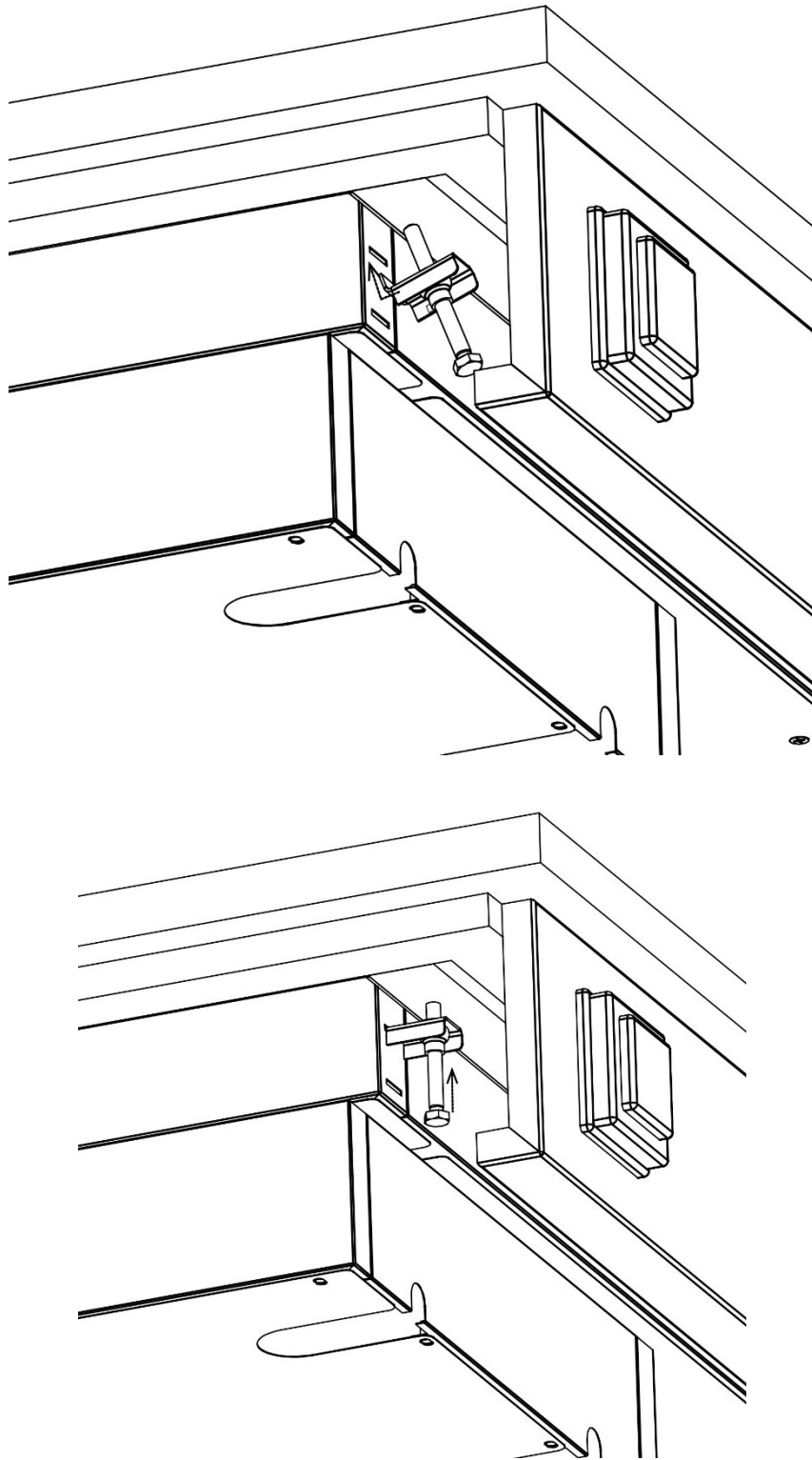


Fig 2.

DROP IN DISASSEMBLY / DESMONTAJE DEL DROP IN / DÉMONTAGE D'ENCASTREMENT

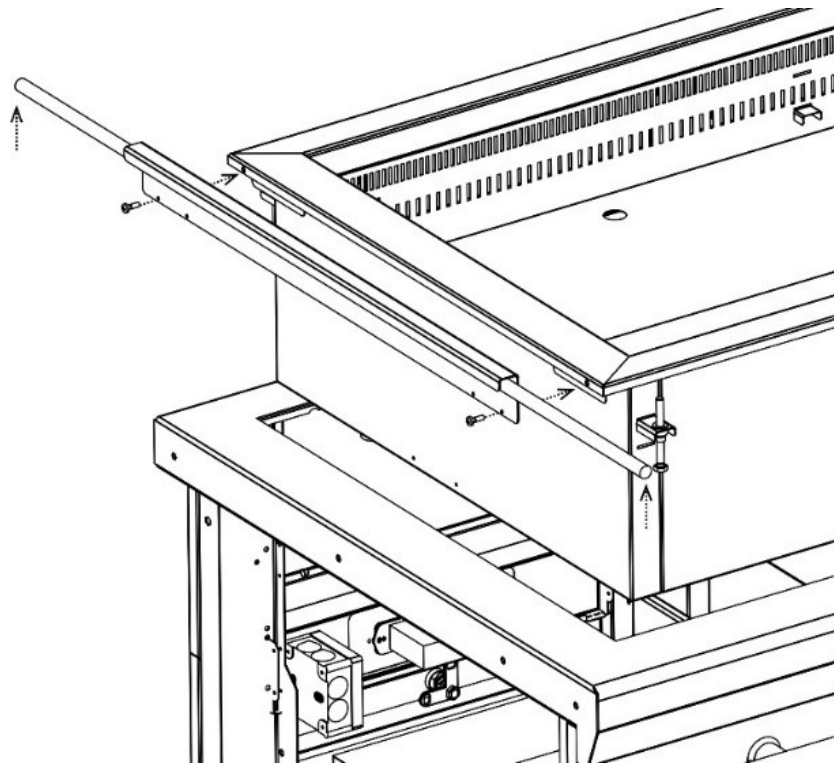


Fig 3.

CONTROL PANEL SCROLLING/ DESPLAZAMIENTO PANEL DE CONTROL/ PANNEAU DE
COMMANDE DÉFILEMENT

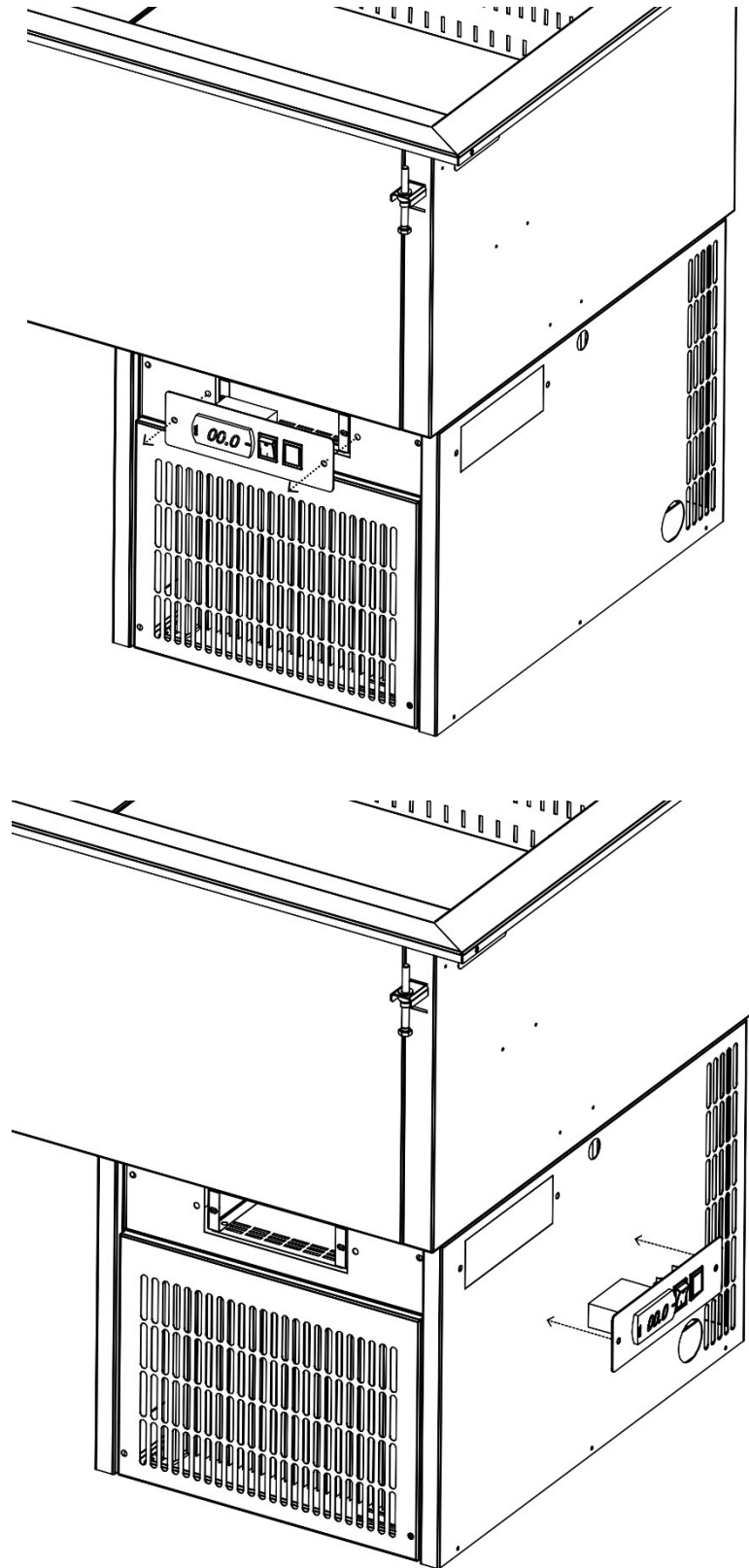


Fig. 4

DROP IN MAINTENANCE / MANTENIMIENTO DEL DROP IN / ENTRETIEN D'ENCASTREMENT

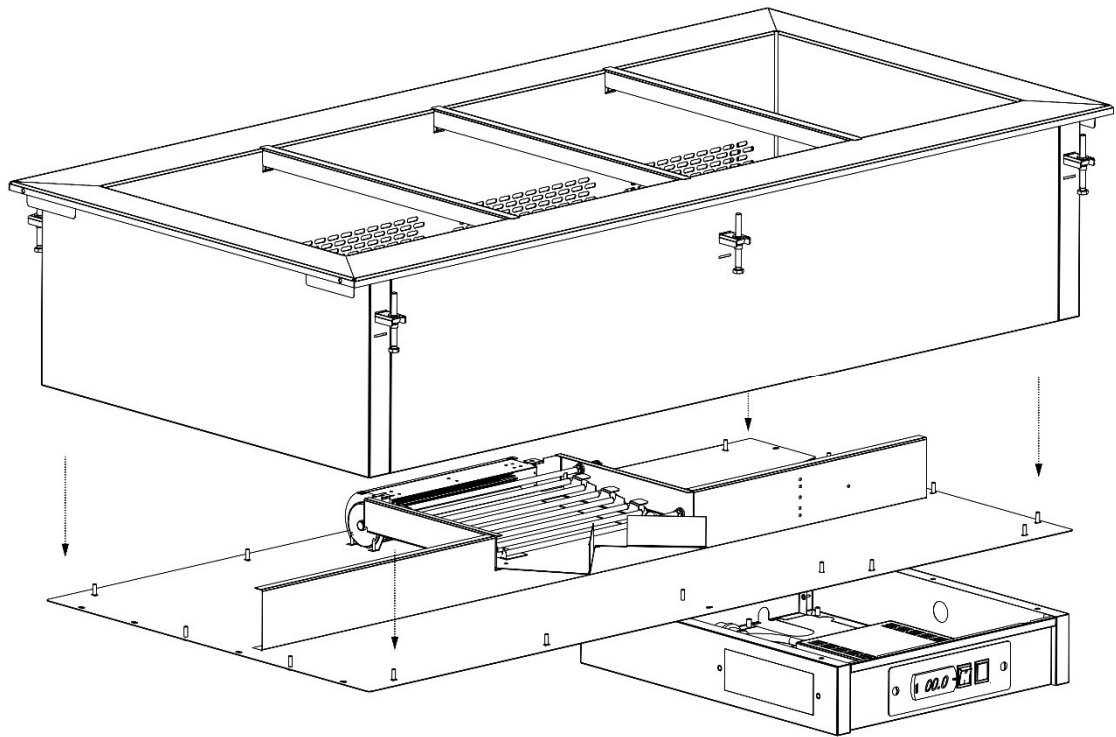


Fig. 5

CONTROL PANEL / PANEL DE MANDOS / PANNEAU DE COMMANDE

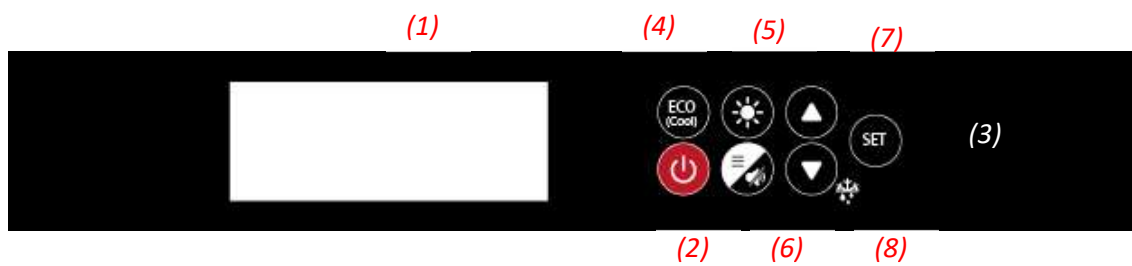


Fig. 6

HOLE TO ASSEMBLY THE CONTROL PANEL / AGUJERO PARA INSTALAR EL PANEL DE MANDOS /
LE TROU POUR ASSEMBLER LE PANNEAU DE COMMANDE

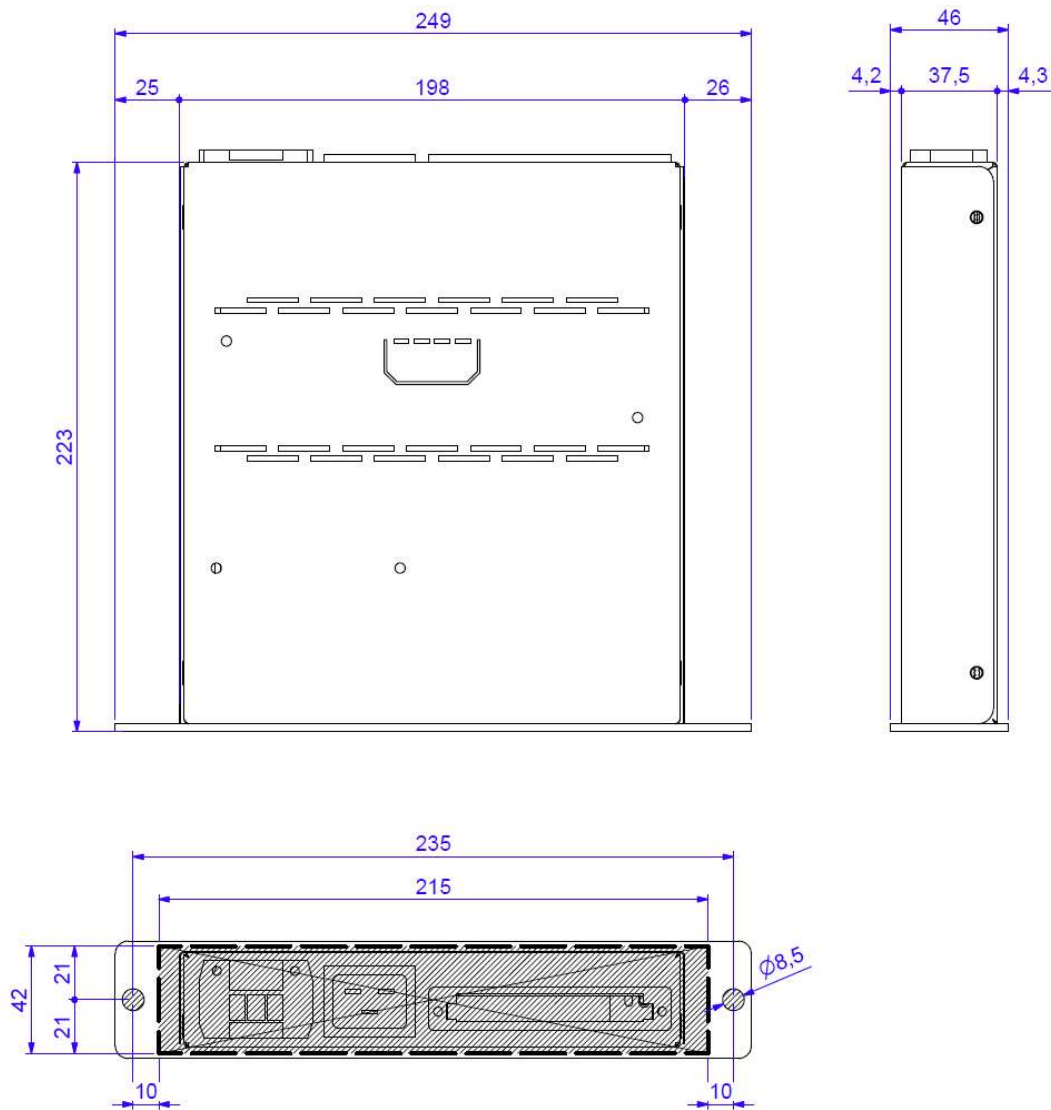


Fig. 7

1 INDEX

1	INDEX.....	11
2	MACHINE INTRODUCTION	12
2.1	INTRODUCTION TO MACHINE & MODELS	12
2.2	IMPORTANT SAFETY INFORMATION.....	12
2.3	SPECIFICATION CHART	13
3	INSTALLATION	13
3.1	GENERAL INFORMATION.....	13
3.2	TRANSPORT, HANDLING, UNPACKING, LOCATION	13
3.3	INTENDED USE AND RESTRICTIONS.	13
3.4	MANUFACTURER'S IDENTIFICATION LABEL DESCRIPTION.	13
3.5	INSTALLATION AND ASSEMBLY	14
3.6	CONNECTIONS.....	14
4	OPERATION	14
4.1	GENERAL INFORMATION.....	14
4.2	CONTROL PANEL DESCRIPTION.....	15
4.3	MACHINE SETTINGS AND PROGRAMS	16
5	MAINTENANCE	16
5.1	GENERAL SAFETY RULES.....	17
5.2	MACHINE CLEANING AND MAINTENANCE ROUTINE.....	17
5.3	MACHINE DISPOSAL	17
6	TROUBLESHOOTING CHART	17
6.1	TROUBLESHOOTING CHART	17

2 MACHINE INTRODUCTION

2.1 INTRODUCTION TO MACHINE & MODELS

The purpose for which this equipment has been designed is to be built into a self-service buffet and is specially conceived for displaying and serving of hot food, maintaining the food in the best temperature condition during the period of the service. Those conditions will depend on the initial temperature of the products and the environmental conditions of the premises. By no means, this technical appliance can be used to heat food.



DC16-BS models are specially designed to hold, display and serve warm sauces at show-cooking stations.

DC6-BS and DC7-BS models can house gastronorm food pans of up to 150 mm in depth of 1 to 6 GN 1/1 depending on the model.

DC16-BS models can house gastronorm pans of up to 100mm in depth of 3 to 4 GN 1/6 depending on the model.

The technical cabinet located on the lower part includes the plumbing inlets and the electricity panel, which includes the adjustment thermostat.

2.2 IMPORTANT SAFETY INFORMATION

	<p>To avoid serious physical injury and property damage: Always wear a hand protection system when the equipment is in operation. The metal parts of the equipment become very hot when the equipment is in operation</p>
	<p>Danger of contamination of food and cuts. The heat source used in this equipment is coated to prevent it from shattering. A heat source broken into pieces can injure personnel and contaminate food served on this equipment.</p>

Avoid touching the tray cover when the product is working.

The in-situ installation and start-up of this appliance must be carried out by qualified technical personnel. The technical parameters inside this manual are subject to change without notification.

The appliance must be only repaired by qualified personnel. Please contact your distributor and do not attempt to open this appliance.

If the appliance is not going to be used for long periods of time, make sure it is empty, cleaned and disconnected from the mains electricity supply.

The working temperatures may be affected by the ambient temperature and the location of the appliance.

Make sure that external sources do not influence on the appliance that may prejudice its performance (direct sources of cold or similar).

This appliance is made of stainless sheet steel and there are risks of cutting inherent in its design as it is being made of thin sheet steel. Please take extra special care when handling and cleaning it.

The inside of the product has intrinsic risks such as electricity, cutting, and burns.

- Do not allow children to handle the appliance under any circumstances.
- Keep to the recommendations made by the food manufacturers.

2.3 SPECIFICATION CHART

Please check Table 1 for detailed information of the product.

3 INSTALLATION

3.1 GENERAL INFORMATION

The instruction manual of the digital thermostat is attached to this manual. However, WE DO NOT RECOMMEND THE ADJUSTMENT OF THE THERMOSTAT BY UNQUALIFIED PERSONNEL. Please, CONTACT YOUR DISTRIBUTOR TO HAVE THE NECESSARY ADJUSTMENTS CARRIED OUT.

3.2 TRANSPORT, HANDLING, UNPACKING, LOCATION

When receiving the device, make sure that it has not suffered any damage in transport. Otherwise, make all pertinent claims to your supplier or to our company.

When the device has been commissioned, it is preferable to keep it unpacked until it is put into service to protect it from any possible mechanical knocks, dust, dirt, etc.

The packaging consists of a cardboard box.

The warranty will only cover manufacturing defects, excluding any incorrect handling or use of the material by the clients or users. Labor costs and travelling expenses are always on the account of the client. Any responsibility for defects attributable to transport will not be accepted, unless the relevant claim is placed within a maximum period of 24 hours after receiving the goods.

For correct and safe lifting and handling operations:

- Arrange a suitable area with flat floor for machine unloading and handling operations.
- Use the type of equipment most suitable for characteristics and capacity
- Make sure the load is stable; handle the machine, keeping it at minimum height from the ground.

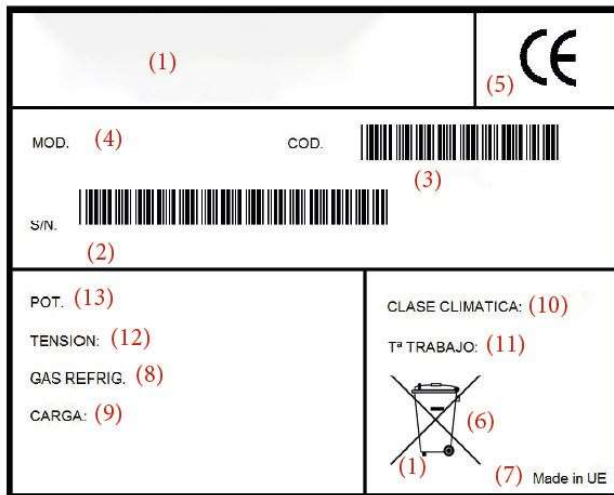
3.3 INTENDED USE AND RESTRICTIONS.

Check that the voltage and frequency of the electricity supply network coincide with those described in the machine sticker. It is advisable that the electricity installation where the appliance is going to be installed has an earth connection, as well as the necessary protection of a thermal magnetic switch and a circuit breaker. Do not connect other appliances in the same electric socket.

The manufacturer declines any liability for improper use of the product.

To have an optimum temperature of the stored products, it is necessary to leave no empty container in the machine from where the steam can escape.

3.4 MANUFACTURER'S IDENTIFICATION LABEL DESCRIPTION.



Data in the identification label:

1. Brand
2. Serial number (code+ year+ serial number)
3. Code:
4. Model:
5. CE symbol
6. Waste disposal symbol
7. Manufacturing site
8. Gas Type: NA
9. Gas quantity (gr): NA
10. Climatic class: NA
11. Working range temperature:
12. Voltage:
13. Power consumption

3.5 INSTALLATION AND ASSEMBLY

Avoid having direct sources of heat, cold, humidity, sunlight and ultraviolet rays in the final location of this appliance. Heaters, radiators, air conditioning, etc. can have a negative influence on the correct operation of the same.

Make sure the floor is level, in this way preventing any vibration or noise.

Follow the instructions in Figure 1 and 8 to assembly the product in the selected location and make the appropriate connections.

3.6 CONNECTIONS

Once the device has been fitted into the hole of the furniture destined for this purpose, the anchoring is carried out by means of the anchoring system supplied as shown in the figure 2.

The control box located on the lower part of the appliance can easily be moved to the side of the technical cabinet if required (for example in the case of having the front access of the appliance closed due construction reasons).

At the same time, it can be removed from the device and installed in any other panel (for example, in the front of buffet to operate and regulate the appliance without need to open the door). The control panel can be moved a maximum of 1.6m from the original position. This is explained in figure 4. At the same time, the control panel can be assembled in other furniture, for this purpose the hole described in figure 7 must be done in the panel.

In figure 3 it is explained how to move out the device from the furniture if maintenance or repairment is required.

4 OPERATION

4.1 GENERAL INFORMATION

The temperature control is carried out by a digital electronic thermostat, allowing to adjust the different working temperatures of the appliance depending on the existing environmental conditions. See figure 6 for the thermostat information.

Operating procedures

1. Set the thermostat temperature

Turn on the equipment and adjust the temperature of the bain marie.

2. Preheat the bain marie

Preheat the bain marie for a minimum of 30 minutes.

3. Transfer the hot food to the bain marie

Hot product must be at proper internal temperature before transferring to bain marie. Use a thermometer to measure the internal temperature of the products being held. Adjust the temperature of the bain marie to provide the best overall setting based on the internal temperature of the product. If any product is not at the proper serving temperature, use a cook and hold oven to heat the product within the correct temperature range.

4. Check the temperature of the food

Since the proper temperature range depends on the type of products and the amounts being held, it is necessary to periodically use a thermometer to check each item to make sure the correct temperatures are being maintained. Local health regulations may vary regarding minimum serving temperatures. The suitable temperature range is 60 ° C to 71 ° C or more.

4.2 CONTROL PANEL DESCRIPTION

- 1- Display
- 2- Main On-Off button (except light)
- 3- Set
- 4- ECO function
- 5- Light On-Off
- 6- Programing and disconnect sound/ alarm
- 7- Up ▲
- 8- Down ▼, manual defrosting (only in refrigeration)

The machine is switched on by pushing the on-off button of the thermostat for 5 seconds. For maintenance operations, disconnect the machine from the mains, because the machine is in stand-by situation when it is switch off.

The regulation is made by electronic thermostat with a digital display, allowing to adjust the different working temperatures of the machine:

Pressing the **SET** (3) command for 1 second activates the set point to reach the desired temperature value displayed on the Display (1). To do this, press the cursors (8 or 9) ▲ ▼ until the desired temperature is reached. Once reached, press and hold the SET (3) command for 1 second to set the acquired value.

It is possible to activate the **ECO** mode (5) energy saving by pressing for 3 seconds this key. When activated, ECO will appear in the display (1). To return to the normal state, perform the same operation. This will display the word NOR in the display (1).

It is possible to activate or deactivate the light output by pressing the **LIGHT** (6) command for 1 second.

To access the **sounds and alarms** program (7), press and hold for more than 5 seconds. The parameter setting menu (F) will appear in the display (1) or in case of alarms, the alarm will be silenced and the alarm relay will be deactivated.

Pressing this command (7) and command ▲ (8) simultaneously for more than 5 seconds, all alarms are reset.

Pressing this command (7) and the **SET** (3) command for more than 5 seconds simultaneously accesses the parameter setting menu (C)

To change the parameters C or F once within the selected menu, move through the parameters with the cursors ▲ (8) and ▼ (9) until you reach the parameter to be modified or the sound and alarms key (7) to display the menu complete to reach the category more quickly. Pressing SET (3) selects the category or parameter to modify and is modified by ▲ (8) and ▼ (9). Once all the desired parameters are modified, they are memorized by pressing the sounds and alarms command (7) for more than 5 seconds. If nothing is pressed in 60 s you lose the Co F menu by losing data that has not been saved.

Pressing this command ▲ (8) and the SET (3) command simultaneously for more than 5 seconds activates the printout of the report.

BASIC PARAMETERS MODIFIED BY THE USER.

"Pro"

Pw (Password): Default value 22.
 / 5 (Selection °C or °F): Default value °C.

"Ctl"

St (Setpoint): Default value per model. Modify if applicable.

"ALM"

AL (Low temperature alarm activation): Default value 0 (disabled).
 AH (High temperature alarm activation): Default value 0 (disabled).

Code	Parameter	Models	UOM	Type	Min	Max	Def.
AL	Low temperature alarm threshold	MSYF	°C/°F	F	-50	200	0.0
AH	High temperature alarm threshold	MSYF	°C/°F	F	-50	200	0.0

"CnF"

H2 (Keyboard Disable): Default value 1.

H2	Disable keypad/IR										
Parameter "H2"	LIGHT	ON/OFF	AUX	HACCP	PRG/MUTE (mute)	UP/CC	DOWN/DEF	SET	Parameter F modification	Set point modification	Remote control modif.
0									•	•	
1											
2									•	•	•
3											•
4	•					•	•		•		
5	•					•	•		•	•	
6						•	•		•	•	

Keypad function "•" = Disabled

4.3 MACHINE SETTINGS AND PROGRAMS

HEATING SYSTEM:

The gastronorm containers are heated up by means of hidden heating elements and a blower that are in the lower part of the bowl.

The device has also a safety thermostat that disconnects the machine in case of incorrect performance or if the temperature rises excessively.

RECOMMENDED WORKING TEMPERATURES: check table 1.

The instruction manuals of the digital thermostat are attached to this manual. However, WE DO NOT RECOMMEND THE ADJUSTMENT OF THE THERMOSTAT BY UNQUALIFIED PERSONNEL. Please, CONTACT YOUR DISTRIBUTOR TO HAVE THE NECESSARY ADJUSTMENTS CARRIED OUT.

5 MAINTENANCE

5.1 GENERAL SAFETY RULES

Remove the plastic protection and any remaining adhesive covering the steel. Clean carefully before using by following the specific instructions detailed later in this manual. Before carrying out any operation on the machine, always consult this manual which gives the correct procedures and contains important information on safety.

5.2 MACHINE CLEANING AND MAINTENANCE ROUTINE

Any technical maintenance must be carried out by your distributor's technical assistance service. IMPORTANT: Take special care after using the appliance since the stainless steel remains hot for some time, even when it is switched off (residual heat). Please avoid touching the tray with bare hands and keep away from children.

- For a better conservation of the appliance it is important to keep empty and clean during the time when it is not being used.
- To clean the appliance, it is recommendable to firstly disconnect the same from the mains electricity supply.
- Not splash water on the electric components.
- To clean the stainless steel, use a sponge or cloth, tepid water and neutral soap.
- Do not use abrasive products, solvents, metal cleaning liquids or undiluted detergents.
- Dry with a cloth afterwards

The access to the electric parts of the device is from the bottom side of the device as shown in figure 5.

5.3 MACHINE DISPOSAL

The product is made up of metal components. The packaging is made of wood, plastic and cardboard.

For any part of the appliance, please note that:

- At the end of the product's life-cycle, make sure it is not dispersed in the environment.
- Each part must be collected and disposed of separately, according to their different characteristics (e.g. metals, plastic, rubber, etc.)
- The public or private waste collection systems defined by local legislation must be considered.
- The equipment may contain hazardous substances: the improper use or incorrect disposal may have negative effects on human health and on the environment; In the event of illegal disposal

6 TROUBLESHOOTING CHART

6.1 TROUBLESHOOTING CHART

Some problems are due to causes that are easily resolved without having to contact the technical service. Please read the following table carefully:

Problem	Procedure
The appliance does not work	Check that the appliance is correctly connected to the socket and the control panel.

Does not heat or heats up very little.	Check the regulation of the thermostat and/or influence or direct sources of air. Contact your technical Assistance Service in case the heating element is broken.
	Not all GN trays are mounted on the cabinet and the heat escapes through the free area
All the basic checks have been carried out and the problem remains	Contact your distributor or your Technical Assistance Service.

1 ÍNDICE

1	ÍNDICE.....	19
2	INTRODUCCIÓN.....	20
2.1	INTRODUCCIÓN.....	20
2.2	INFORMACIÓN DE SEGURIDAD.....	20
2.3	ESPECIFICACIONES TÉCNICAS.....	21
3	INSTALACIÓN.....	21
3.1	INFORMACIÓN GENERAL.....	21
3.2	TRANSPORTE, DESEMBALAJE Y MANIPULACIÓN.....	21
3.3	USO PREVISTO Y RESTRICCIONES.....	21
3.4	DESCRIPCIÓN DE LA ETIQUETA DE IDENTIFICACIÓN.....	21
3.5	INSTALACIÓN Y MONTAJE.....	22
3.6	CONEXIONES.....	22
4	FUNCIONAMIENTO.....	22
4.1	INFORMACIÓN GENERAL.....	22
4.2	DESCRIPCIÓN DEL PANEL DE CONTROL.....	23
4.3	AJUSTES Y PROGRAMAS DE LA MÁQUINA.....	24
5	MANTENIMIENTO.....	25
5.1	NORMAS GENERALES DE SEGURIDAD.....	25
5.2	LIMPIEZA Y MANTENIMIENTO RUTINARIO.....	25
5.3	GESTIÓN DE RESIDUOS.....	25
6	TABLA DE RESOLUCIÓN DE PROBLEMAS.....	25
6.1	TABLA DE RESOLUCIÓN DE PROBLEMAS.....	25

2 INTRODUCCIÓN

2.1 INTRODUCCIÓN

El objeto para el que se ha diseñado este elemento es el de ser encastrado en un buffet de autoservicio y está especialmente concebido para la exposición y el servicio de alimentos calientes, manteniendo estos últimos en las mejores condiciones de temperatura durante el periodo de tiempo que dura el servicio. Dichas condiciones dependerán de la temperatura inicial de los productos en el momento de su exposición y de las condiciones ambientales del local. En ningún caso este elemento técnico sirve para calentar alimentos.



Los DC16-BS están especialmente diseñados para mantener, exponer y servir salsas calientes en estaciones de tipo show-cooking.

Los modelos DC6-BS and DC7-BS podrán alojar recipientes gastronorm de hasta 150 mm de profundidad de 1 a 6 GN 1/1 según el modelo.

Los DC16-BS podrán alojar recipientes gastronorm de hasta 100mm de profundidad de 3 a 4 GN 1/6 dependiendo del modelo

El armario técnico situado en la parte inferior acoge el cuadro eléctrico, el cual incorpora el termostato de regulación.

2.2 INFORMACIÓN DE SEGURIDAD

	<p>Para evitar lesiones físicas graves y daños materiales: Utilice siempre un sistema de protección para las manos cuando el equipo esté en funcionamiento. Las piezas metálicas del equipo se calientan en gran medida cuando el equipo está en funcionamiento.</p>
	<p>Peligro de contaminación de los alimentos y cortes. El foco de calor que se usa en este equipo viene recubierto para evitar que se haga pedazos. Un foco de calor roto en pedazos puede provocar lesiones en el personal y contaminar los alimentos que se sirven en este equipo.</p>

La instalación in situ y la puesta en marcha de este mueble deben ser realizadas por personal técnico cualificado. Los parámetros técnicos indicados en este manual no están sujetos a contrato y podrían variar sin previo aviso.

El aparato debe ser reparado únicamente por personal cualificado. Antes de cualquier manipulación, avise a su distribuidor.

Si no va a usar el aparato durante largos periodos de tiempo, procure que se quede desconectado de la red, vacío y limpio.

Las temperaturas de trabajo del aparato pueden verse afectadas por la temperatura ambiente y su localización.

Procure que no incidan sobre el aparato fuentes externas que perjudiquen su rendimiento (fuentes de frío directas o similares).

Todo el aparato está construido mediante chapas de acero inoxidable por lo que presenta riesgos de corte inherentes a su diseño y a su construcción con chapas de pequeños espesores. Extreme la precaución manipulándolos y limpiándolos.

El interior del armario técnico presenta riesgos intrínsecos tales como riesgo eléctrico, de corte, y de quemadura.

- Respete las recomendaciones de los fabricantes de alimentos.
- No permita que los niños manipulen el aparato bajo ninguna circunstancia.

2.3 ESPECIFICACIONES TÉCNICAS

Para conocer las informaciones técnicas detalladas de su equipo consulte la Tabla 1.

3 INSTALACIÓN

3.1 INFORMACIÓN GENERAL

Encontrará las instrucciones de uso del termostato digital junto a este manual. No obstante, **NO SE RECOMIENDA LA MANIPULACIÓN DEL TERMOSTATO POR PERSONAL NO CUALIFICADO**. Por favor, **AVISE A SU DISTRIBUIDOR PARA QUE REALICE LOS AJUSTES NECESARIOS POR USTED**.

3.2 TRANSPORTE, DESEMBALAJE Y MANIPULACIÓN

Al recibir el mueble, asegúrese de que no ha sufrido ningún daño durante el transporte. De lo contrario, formule las correspondientes reclamaciones a su distribuidor.

Cuando el mueble ha sido aceptado, es preferible mantenerlo embalado hasta que se ponga en servicio, a fin de protegerlo de posibles golpes mecánicos, polvo, suciedad, etc...

El embalaje se compone de una caja de cartón.

Para realizar las operaciones de elevación y manipulación de forma correcta y segura:

- Organizar una zona adecuada con piso plano para operaciones de descarga de la máquina y de manipulación.
- Utilizar el tipo de equipo más adecuado para las características y la capacidad.
- Asegúrese de que la carga es estable para manejar el mueble, manteniéndolo a una altura mínima desde el suelo.

El fabricante se responsabilizará únicamente de los defectos de fabricación, quedando excluidas la manipulación o utilización incorrecta del material por parte del cliente o usuario. El servicio de la mano de obra y los desplazamientos son siempre por cuenta del cliente. Se declina toda responsabilidad por los defectos imputables al transporte, siempre que no se realice la reclamación oportuna en un máximo de 24 horas después de recibir la mercancía.

3.3 USO PREVISTO Y RESTRICCIONES.

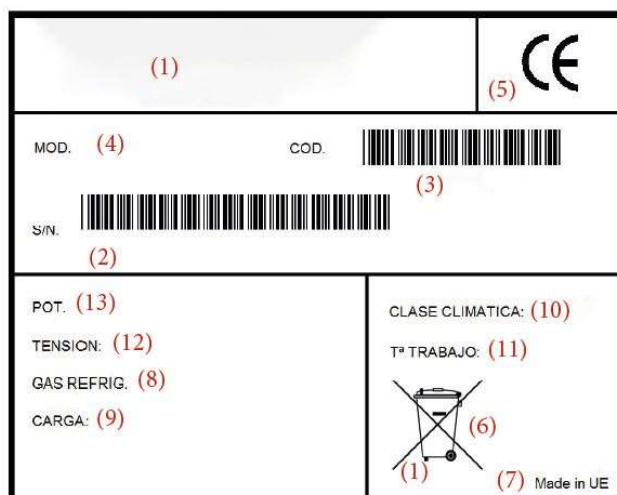
Compruebe que la tensión y la frecuencia de la red coinciden con las descritas en la placa de características.

Es imprescindible que la instalación eléctrica donde se vaya a conectar el aparato disponga de toma tierra, así como de la debida protección de magneto-térmico y diferencial. No conecte otros aparatos alimentándolos con la misma acometida eléctrica.

El fabricante declina toda responsabilidad por el uso indebido del producto.

Para tener una temperatura óptima de los productos almacenados, es necesario no dejar ningún recipiente vacío en la máquina desde donde puede escapar el vapor.

3.4 DESCRIPCIÓN DE LA ETIQUETA DE IDENTIFICACIÓN



Datos en la etiqueta de identificación:

1. Marca
2. Número de serie (código+ año+ número de serie)
3. Código:
4. Modelo:
5. Símbolo CE
6. Símbolo de eliminación de residuos
7. País de fabricación
8. Gas refrigerante (si procede)
9. Carga de gas (gr) (si procede)
10. Clase climática (si procede)
11. Temperatura de trabajo:
12. Voltaje:
13. Consumo de energía

3.5 INSTALACIÓN Y MONTAJE

Evite las fuentes directas de calor, frío, humedad, rayos solares y rayos ultravioletas en la ubicación definitiva del presente aparato. Estufas, radiadores, aire acondicionado, etc. pueden influir negativamente en su correcto funcionamiento.

Asegúrese de que el suelo está bien nivelado, así evitará vibraciones y ruidos.

Siga las instrucciones indicadas en la figura 1 y 8 para montar el producto en el lugar seleccionado y realizar las conexiones oportunas.

3.6 CONEXIONES

Una vez encastrada la cuba en el orificio del mueble destinado a tal fin, la fijación se realiza mediante los anclajes suministrados tal como se muestra en el croquis. Consulte figura 2 para más información.

La caja de mandos ubicada en la parte inferior del aparato puede moverse fácilmente al lateral del armario técnico si fuese necesario (por ej. en el caso de tener cerrado el acceso frontal al aparato por motivos constructivos del mueble que lo aloja). Así mismo, puede ser extraída de su armario técnico e instalada en cualquier otro panel (por ej. en el frente del buffet para poder accionar y regular el aparato sin necesidad de abrir una puerta). Consulte figura 4 para consultar la extraibilidad del mando. El panel como máximo se puede desplazar un máximo de 1,6 metros. En la figura 3 se indica como extraer el elemento técnico para realizar labores de mantenimiento o reparación.

Al mismo tiempo, el panel de control se puede montar en otros muebles, para ello el agujero descrito en la figura 7 debe hacerse en el panel.

4 FUNCIONAMIENTO

4.1 INFORMACIÓN GENERAL

Las conexiones eléctricas sólo deben ser realizadas por un electricista cualificado.

La regulación se realiza mediante termostato electrónico de lectura digital, permitiendo ajustar las distintas temperaturas de trabajo del aparato.

En la figura 6 puede consultar el teclado del panel de mandos.

Procedimientos de operación

1. Ajuste la temperatura del termostato

Encienda el equipo y ajuste la temperatura del baño maría.

2. Precaliente del baño maría

Precaliente el baño maría durante un mínimo de 30 minutos.

3. Transfiera los alimentos calientes al baño maría

El producto caliente debe estar a la temperatura interna adecuada antes de transferirlo al baño maría. Use un termómetro para medir la temperatura interna de los productos que se mantengan. Ajuste la temperatura del baño maría para ofrecer la mejor configuración general en base a la temperatura interna del producto. Si algún producto no está a la temperatura adecuada para servir, use un horno de cocción y mantenimiento para calentar el producto dentro del margen de temperatura correcto.

4. Revise la temperatura de los alimentos

Ya que el margen de temperatura adecuado depende del tipo de productos y de las cantidades que se mantengan, es necesario usar en forma periódica un termómetro para verificar cada artículo y asegurarse de que se mantengan las temperaturas correctas. Las normas de salud locales pueden variar con respecto a las temperaturas mínimas para servir. El margen de temperatura adecuado es de 60 °C a 71 °C o más.

4.2 DESCRIPCIÓN DEL PANEL DE CONTROL

- 1- Display
- 2- On-Off general (excepto iluminación)
- 3- Set
- 4- Función ECO
- 5- On-Off Iluminación
- 6- Programación y desactivación de sonido/alarma
- 7- Cursor (arriba) ▲
- 8- Cursor (abajo) ▼, desescarche manual (sólo en refrigeración)

El encendido y apagado del aparato se realiza mediante el pulsador de puesta en marcha integrado en el termostato (fig. 6) pulsando el botón de **ON/OFF** (2) durante 5 segundos. Para intervenciones de mantenimientos, cortar la tensión eléctrica para no dañar el sistema, si sólo se apaga, el aparato permanece en stand-by.

La regulación se realiza mediante termostato electrónico de lectura digital, permitiendo ajustar las distintas temperaturas de trabajo del aparato:

Al pulsar el comando **SET** (3) durante 1 segundo, se activa el punto de consigna para llegar al valor deseado de temperatura que se visualiza en el **Display** (1). Para ello, apretar los cursores (8 o 9) ▲▼ hasta alcanzar la temperatura deseada. Una vez alcanzada, mantener pulsado el comando SET (3) durante 1 segundo, para fijar el valor adquirido.

Es posible activar la modalidad **ECO** (5) de ahorro energético pulsando durante 3 segundos esta tecla. Al activarla aparecerá en el display (1) la palabra ECO. Para volver al estado normal, realizar el mismo ejercicio. De esta forma aparecerá la palabra NOR en el display (1).

Es posible activar o desactivar la salida de luz pulsando durante 1 segundo el comando **LUZ** (6). Para acceder al programa **sonidos y alarmas** (7), mantener pulsado durante más de 5 segundos. Aparecerá en el display (1) el menú configuración de parámetros frecuentes (F) o en caso de alarmas, silencia la alarma acústica, desactivando el relé alarma.

Pulsando simultáneamente este comando (7) y el comando ▲ (8) durante más de 5 segundos, se procede a restablecer todas las alarmas.

H2	Deshabilitación teclado/ir										
Parámetro "H2"	LUZ	ON/OFF	AUX	HACCP	PRG/MUTE (mute)	UP/CC (ciclo continuo)	DOWN/DEF (desescarche)	SET	Modificación parámetros F	Modific. punto de consigna	Modific. desde telecom.
0									•	•	
1											
2									•	•	•
3											•
4	•					•	•		•		
5	•					•	•		•	•	
6						•	•		•	•	
Funcionalidad teclado "•" = Deshabilitado											

Pulsando simultáneamente este comando (7) y el comando SET (3) durante más de 5 segundos, se accede al menú configuración de parámetros (C)

Para modificar los parámetros C o F una vez dentro del menú elegido, moverse por los parámetros con los cursores ▲(8) y ▼(9) hasta alcanzar el parámetro a modificar o bien desde la tecla sonidos y alarmas (7) que permite visualizar el menú completo para alcanzar la categoría más rápidamente. Pulsando SET (3) se selecciona la categoría o el parámetro a modificar y se modifican mediante ▲(8) y ▼(9). Una vez modificados todos los parámetros deseados, estos se memorizan presionando el comando sonidos y alarmas (7) durante más de 5 segundos. Si no se presiona nada en 60 segundos, se sale del menú Co F perdiendo los datos que no se hayan guardado.

Pulsando simultáneamente este comando ▲ (8) y el comando SET (3) durante más de 5 segundos, se activa la impresión del informe.

PARÁMETROS BÁSICOS MODIFICABLES POR EL USUARIO.

"Pro"

Pw (Password): Valor por defecto 22.

/5 (Selección °C o °F): Valor por defecto °C.

"Ctl"

St (Punto de consigna): Valor por defecto según modelo. Modificar si procede.

"ALM"

AL (Activación alarma baja temperatura): Valor por defecto 0 (deshabilitada).

AH (Activación alarma alta temperatura): Valor por defecto 0 (deshabilitada).

Cód.	Parámetro	Modelos	U.M.	Tipo	Min	Máx	Pred.
AL	Umbral de alarma de baja temperatura	MSYF	°C/°F	F	-50	200	0.0
AH	Umbral de alarma de alta temperatura	MSYF	°C/°F	F	-50	200	0.0

"CnF"

H2 (Deshabilitación teclado): Valor por defecto 1.

4.3 AJUSTES Y PROGRAMAS DE LA MÁQUINA

SISTEMA DE CALEFACCIÓN:

El agua se calienta mediante resistencias ocultas y ventiladores instaladas en la parte inferior de la cuba.

La cuba posee a su vez un sistema de seguridad mediante termostato en las propias resistencias que las desconecta en el caso de que el termostato de control se averíe o que la temperatura de las mismas aumente excesivamente (por ej. por quedarse sin agua en la cuba).

TEMPERATURAS DE TRABAJO RECOMENDADAS: Consulte tabla 1.

5 MANTENIMIENTO

5.1 NORMAS GENERALES DE SEGURIDAD

Elimine el plástico protector que cubre el acero.

Limpie cuidadosamente antes de usar siguiendo las instrucciones específicas que se detallan más adelante en este manual. Antes de realizar cualquier operación en la máquina, siempre consulte el manual que contiene los procedimientos correctos y contiene información importante sobre seguridad.

Para una mejor conservación del aparato es importante que permanezca vacío y limpio durante los periodos que no esté en servicio.

5.2 LIMPIEZA Y MANTENIMIENTO RUTINARIO

Cualquier mantenimiento técnico debe ser llevado a cabo por su distribuidor de servicio de asistencia técnico. **IMPORTANTE:** Preste mucha atención porque después de usar el aparato, el acero inoxidable se mantiene caliente durante algún tiempo, incluso estando apagado (calor residual). Evite tocar la cuba con las manos y aleje a los niños.

CONSEJOS DE LIMPIEZA

- Para realizar las labores de limpieza del aparato es recomendable desconectarlo previamente de la red. Procure no salpicar agua a los componentes eléctricos.
- Para limpiar el acero inoxidable utilice una esponja o bayeta, agua tibia y jabón neutro. No utilice productos abrasivos, disolventes, limpiadores de metales o detergentes no diluidos. Seque posterior mente con un paño.
- Para una mejor conservación del aparato es importante que permanezca vacío y limpio durante los periodos que no esté en servicio.

El acceso a los componentes eléctricos del dispositivo se muestra en la figura 5.

5.3 GESTIÓN DE RESIDUOS

El producto está compuesto por piezas metálicas y plásticas. El embalaje es de madera, plástico y cartón.

Para cualquier pieza de su aparato, por favor, tenga en cuenta que:

- Al final del ciclo de vida del producto, asegúrese de que no se deshecha en el medio ambiente.
 - Cada parte debe estar recogido y desechado por separado, de acuerdo con sus diferentes características (por ejemplo, metales, plásticos, caucho, etc)
 - Se tendrá en cuenta la legislación local prevista para la recogida de residuos.
 - El aparato puede contener sustancias peligrosas: el uso inadecuado o la eliminación incorrecta puede tener efectos negativos sobre la salud humana y sobre el medio ambiente.
 - En caso de un desecho ilegal de los residuos eléctricos y electrónicos, están previstas sanciones establecidas por la legislación local.

6 TABLA DE RESOLUCIÓN DE PROBLEMAS

6.1 TABLA DE RESOLUCIÓN DE PROBLEMAS

Algunos problemas se deben a causas que se resuelven fácilmente sin tener que contactar con el servicio técnico. Por favor, lea atentamente la siguiente tabla:

Problema	Solución
El aparato no funciona	Verifique que el aparato está debidamente conectado a la toma de corriente y al cuadro de control.
No calienta o calienta poco	Revise la regulación del termostato y/o la incidencia de corrientes de aire. Avise a su Servicio de Asistencia Técnica por si el sistema de calefacción está estropeado.
	No están todas las cubetas GN montadas sobre el mueble y el calor escapa por la zona libre
Todos los controles básicos se han llevado a cabo y el problema persiste.	Póngase en contacto con su distribuidor o con su Servicio de Asistencia Técnica.

1 INDICE

1	INDICE.....	27
2	INTRODUCTION.....	28
2.1	INTRODUCTION.....	28
2.2	INFORMATION DE SÉCURITÉ.....	28
2.3	SPÉCIFICATIONS TECHNIQUES.....	29
3	INSTALLATION.....	29
3.1	INFORMATION GÉNÉRAL.....	29
3.2	TRANSPORT, DÉBALLAGE, MANIPULATION.....	29
3.3	RESTRICTION D'USAGE.....	29
3.4	ÉTIQUETTES TECHNIQUES INDUSTRIELLES.....	29
3.5	INSTALLATION ET MONTAGE.....	30
3.6	BRANCHEMENTS.....	30
4	FONCTIONNEMENT.....	30
4.1	INFORMATION GÉNÉRAL.....	30
4.2	DESCRIPTION DE TABLEAU DE CONTRÔLE.....	31
4.3	RÉGLAGE ET PROGRAMMATION.....	32
5	ENTRETIEN.....	33
5.1	RÈGLEMENT DE SÉCURITÉ.....	33
5.2	CONSERVATION ET ENTRETIEN ROUTINIER.....	33
5.3	TRAITEMENT DES DÉCHETS.....	33
6	RÉSOLUTION DE PROBLÈMES.....	34
6.1	TABLEAU DE RÉOLUTION DE PROBLÈMES.....	34

2 INTRODUCTION

2.1 INTRODUCTION

Cet élément d'exposition et de libre-service a été conçu pour être encastré dans un buffet de self-service, et pour conserver les aliments chauds dans les meilleures conditions de température tout au long de la durée du service. Ces conditions dépendent aussi de la température initiale des produits au moment de leur exposition et des conditions ambiantes de la pièce. Cet élément technique ne sert en aucun cas à chauffer les aliments.

Les modèles DC16-BAS sont conçus pour conserver à la température chaude, présenter et servir des sauces dans des stations d'animation de type "show cooking".

Les modèles DC6-BS et DC7-BS peuvent accueillir des récipients gastronomiques jusqu'à 150 mm de profondeur de 1 à 6 GN 1/1 selon le modèle.

Les modèles DC16-BS peuvent accueillir des bacs gastronomiques jusqu'à 100 mm de profondeur de 3 à 4 GN 1/6 selon le modèle.

L'armoire technique située dans la partie du bas accueille le tableau électrique, le thermostat de réglage.

2.2 INFORMATION DE SÉCURITÉ



Pour éviter des blessures graves et des dommages matériels:
Portez toujours un système de protection des mains lorsque l'équipement est en fonctionnement. Les parties métalliques de l'équipement deviennent très chaudes lorsque l'équipement est en fonctionnement..



Risque de contamination des aliments et des coupures.
La source de chaleur utilisée dans cet équipement est enduite pour éviter qu'elle ne se brise. Une source de chaleur brisée peut blesser le personnel et contaminer les aliments servis sur cet équipement.

Évitez de toucher des surfaces sur la cuve, lorsqu'elle est en service.

L'installation sur place et la mise en service de ce meuble doivent être réalisées par un technicien qualifié. Les paramètres usine et les données techniques sont fournis à titre non contractuel et peuvent être modifiés sans préavis.

L'appareil doit uniquement être réparé par un personnel qualifié. Avant toute manipulation, veuillez informer votre distributeur.

Si vous prévoyez de ne pas utiliser le meuble pendant une période prolongée, videz-le, nettoyez-le et débranchez-le du secteur.

La température ambiante et l'emplacement de l'appareil peuvent avoir des effets sur les températures de travail.

Tenez l'appareil à l'écart de sources externes qui pourraient en affecter le rendement (Sources de froid directes ou semblables).

L'ensemble de l'appareil est construit avec des tôles en acier inoxydable. En raison de sa conception et de sa fabrication avec de fines tôles, il existe donc des risques de coupure. Prenez des précautions lorsque vous les manipulez et nettoyez.

L'intérieur de l'armoire technique, présente des risques intrinsèques tels que le risque électrique, de coupure, de brûlure.

- Respectez les recommandations des fabricants d'aliments.
- Ne permettez en aucun cas que des enfants manipulent l'appareil.

2.3 SPÉCIFICATIONS TECHNIQUES

Pour connaître les informations techniques détaillées de votre appareil, consultez la Table 1.

3 INSTALLATION

3.1 INFORMATION GÉNÉRAL

Vous trouverez les instructions d'utilisation du thermostat numérique avec ce manuel.

LA MANIPULATION DU THERMOSTAT PAR UN PERSONNEL NON QUALIFIÉ N'EST TOUTEFOIS PAS RECOMMANDÉE.

VEUILLEZ CONTACTER VOTRE DISTRIBUTEUR POUR QU'IL RÉALISE LES RÉGLAGES NÉCESSAIRES.

3.2 TRANSPORT, DÉBALLAGE, MANIPULATION

Lors de la réception du meuble, assurez-vous qu'il n'a subi aucun dommage durant le transport. Sinon, effectuez les réclamations correspondantes à votre distributeur.

Une fois que le meuble a été accepté il est préférable de le garder emballé jusqu'à sa mise en service, afin de le protéger de possibles coups mécaniques, de la poussière, de la saleté, etc...

L'emballage est composé d'un film protecteur en plastique et en carton. Tous les matériaux sont recyclables. Pour réaliser les opérations de levage et de manipulation correctement et en toute sécurité :

- Organiser une zone adéquate avec un sol plane pour les opérations de déchargement de la machine et de manipulation.
- Utiliser le type d'équipement le plus approprié pour les caractéristiques et la capacité.
- Assurez-vous que la charge est stable pour manipuler le meuble, en le maintenant à une hauteur minimale depuis le sol.
- La garantie porte uniquement sur les défauts de fabrication, toute manipulation ou utilisation erronée du matériel de la part du client ou de l'utilisateur étant exclue. Le service de main d'œuvre et les déplacements sont toujours à la charge du client. Toute responsabilité concernant les défauts liés au transport est déclinée, sauf si la réclamation opportune est réalisée dans un délai maximum de 24 heures à compter de la réception de la marchandise.

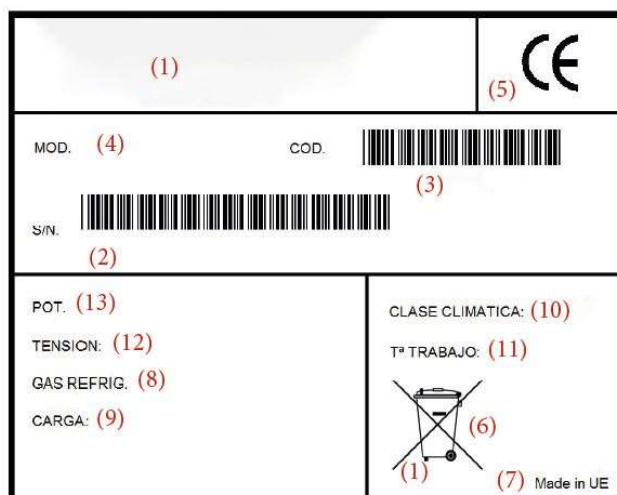
3.3 RESTRICTION D'USAGE

Veillez à ce que la tension et la fréquence du secteur correspondent aux indications de la plaque signalétique. L'installation électrique auquel est raccordé l'appareil doit impérativement être dotée d'une prise de terre et disposer d'une protection magnétothermique et différentielle. Ne branchez pas d'autres appareils pour les alimenter avec le même raccordement électrique.

Le fabricant décline toute responsabilité pour l'usage inapproprié du produit.

Pour avoir une température optimale des produits stockés, il est nécessaire de ne laisser aucun contenant vide dans la machine d'où la vapeur peut s'échapper.

3.4 ÉTIQUETTES TECHNIQUES INDUSTRIELLES



Étiquette technique industrielle :

1. Marque
2. Nombre de série (code+ année+ nombre de série)
3. Code
4. Modèle
5. CE symbole
6. Symbole d'élimination des déchets
7. Manufacturing site
8. Gaz réfrigérant (néant)
9. Charge de gaz (gr) (néant)
10. Classe climatique (néant)
11. Temperature de travail
12. Voltage
13. Consommation d'énergie

3.5 INSTALLATION ET MONTAGE

Évitez d'installer l'appareil à proximité des sources directes de chaleur, de froid, d'humidité ou dans un endroit exposé aux rayons solaires et ultraviolets. Les radiateurs de tout type, l'air conditionné, etc. peuvent avoir des effets négatifs sur son fonctionnement.

Vérifiez le bon nivellement du sol afin d'éviter les vibrations et les bruits.

Suivez les instructions de la figure 1 et 8 pour monter le produit dans l'emplacement sélectionné et effectuer les connexions appropriées.

3.6 BRANCHEMENTS

Une fois la plaque ou la cuve encastrée dans l'orifice du meuble destiné à cette fin, la fixation s'effectue au moyen des éléments d'ancrage fournis, comme indiqué sur la figure 2.

Si nécessaire, le boîtier de commandes situé dans la partie basse de l'appareil peut facilement être déplacé sur le côté de l'armoire technique (par exemple, lorsque l'accès avant de l'appareil est fermé en raison des caractéristiques constructives du meuble qui l'accueille).

On peut également l'extraire de l'armoire technique pour l'installer sur n'importe quel panneau (par exemple, devant le buffet pour pouvoir actionner et régler l'appareil sans avoir à ouvrir une porte). Voir figure 4 pour consulter la façon d'extraire le panneau de commande.

Dans la figure 3 se montre la façon d'extraire l'élément technique pour faire des réparations ou d'entretien.

En même temps, le panneau de commande peut être assemblé dans d'autres meubles, à cet effet, le trou décrite à la figure 7 doit être fait dans le panneau.

4 FONCTIONNEMENT

4.1 INFORMATION GÉNÉRAL

Les branchements électriques doivent uniquement être réalisés par un électricien qualifié.

La régulation est réalisée au moyen d'un thermostat électronique à lecture numérique, permettant d'ajuster les différentes températures de travail de l'appareil.

Reportez-vous à la figure 6 pour le clavier du thermostat.

Procédures d'exploitation

1. Réglez la température du thermostat

Allumez l'équipement et ajustez la température du bain marie.

2. Préchauffez le bain marie

Préchauffez le bain marie pendant au moins 30 minutes.

3. Transférez les aliments chauds au bain marie.

Le produit chaud doit être à la température interne appropriée avant d'être transféré sur un bain marie. Utilisez un thermomètre pour mesurer la température interne des produits retenus. Ajustez la température du bain marie pour fournir le meilleur réglage global basé sur la température interne du produit. Si un produit n'est pas à la bonne température de service, utilisez un four à cuisson et maintien pour chauffer le produit dans la plage de température correcte.

4. Vérifiez la température des aliments

Étant donné que la plage de température appropriée dépend du type de produits et des quantités conservées, il est nécessaire d'utiliser périodiquement un thermomètre pour vérifier chaque élément afin de s'assurer que les températures correctes sont maintenues. Les réglementations sanitaires locales peuvent varier concernant les températures minimales de service. La plage de température appropriée est de 60 ° C à 71 ° C ou plus.

4.2 DESCRIPTION DE TABLEAU DE CONTRÔLE

- 1- Display
- 2- On-Off bouton (à l'exception de l'éclairage)
- 3- Set
- 4- Fonction ECO
- 5- On-Off éclairage
- 6- Programmation et désamorçage du de son//alarme
- 7- UP ▲
- 8- DOWN ▼ dégivrage manuel (seulement en réfrigération)

L'allumage et l'extinction de l'appareil est réalisé au moyen du bouton de mise en fonctionnement intégré dans le thermostat (fig. 6) en appuyant sur le bouton d'ON/OFF (2) durant 5 secondes. Pour des interventions de maintenance, couper la tension électrique pour ne pas abîmer le système, s'elle s'éteint, l'appareil reste dans stand-by.

La régulation est réalisée au moyen d'un thermostat électronique de lecture digitale, en permettant d'ajuster les températures de travail de l'appareil :

Après avoir appuyé sur le bouton SET (3) durant 1 seconde, le point de consigne s'active pour arriver à la valeur désirée de température qui est visualisée dans le Display (1). Pour cela, appuyer sur les curseurs (8 ou 9) ▲ ▼ jusqu'à atteindre la température désirée. Une fois atteinte, maintenir appuyé le commando SET (3) pendant 1 seconde, pour fixer la valeur acquise.

Il est possible d'activer la modalité ECO (5) d'économies d'énergie en appuyant sur cette touche pendant 3 secondes. Après l'avoir activée le mot ECO apparaîtra dans le display (1). Pour revenir à l'état normal, on doit réaliser le même exercice. De cette forme le mot NOR apparaîtra dans le display.

Il est possible d'activer ou de désactiver la sortie de lumière en appuyant sur le commando LUMIÈRE (6) pendant 1 seconde. Pour accéder au programme de sons et alarmes (7), maintenir en appuyant sur ce commando durant plus de 5 secondes. Il apparaîtra dans le display (1), le menu de configuration de

paramètres fréquents (F) ou en cas des alarmes, elle étouffe l'alarme acoustique, en désactivant le relais alarme.

En appuyant simultanément sur ce commando (7) et le commando ▲ (8) pendant plus de 5 seconds(secondes), on procède à rétablir tous les alarmes.

En appuyant simultanément sur ce commando (7) et le commando SET (3) durant plus de 5 seconds(secondes), on accède au menu la configuration de paramètres (C).

Pour modifier les paramètres C ou F une fois à l'intérieur du menu choisi, on peut nous déplacer par les paramètres avec les curseurs ▲ (8) y ▼ (9) jusqu'à atteindre le paramètre à modifier ou bien depuis la touche de sons et alarmes (7) qui permet de visualiser le menu complet pour atteindre la catégorie plus rapidement. En appuyant sur le bouton SET (3) se sélectionne la catégorie ou le paramètre à modifier et ils sont modifiés au moyen de ▲ (8) y ▼ (9)). Quand tous les paramètres désirés sont modifiés, ils peuvent être mémorisés en appuyant sur le commando de sons et alarmes (7) pendant plus de 5 secondes. Si rien n'est appuyé dans 60 secondes, on sort du menu Co F en perdant les données qui ne se sont pas gardées.

En appuyant sur le commande UP ▲ (8) et le commando SET (3) simultanément pendant plus de 5 secondes, s'active l'impression du rapport.

PARAMETRES BASIQUES MODIFICABLES PAR L'UTILISATEUR.

“Pro”

Pw (Password) : Valeur par défaut 22.

/5 (Sélection °C o °F) : Valeur par défaut °C.

“CtL”

St (Point de consigne) : Valeur par défaut selon modèle. Modifier si nécessaire.

“ALM”

AL (Activation alarme baisse température) : Valeur par défaut 0 (désactivé).

AH (Activation alarme haute température) : Valeur par défaut 0 (désactivé).

Cod.	Paramètre	Modèles	U.M.	Type	Min	Max	Déf.
AL	Seuil alarme de basse température	MSYF	°C/°F	F	-50	200	0.0
AH	Seuil alarme haute température	MSYF	°C/°F	F	-50	200	0.0

“CnF”

H2 (Désactivation clavier) : Valeur par défaut 1.

Parametro "H2"	LUCE	ON/OFF	AUX	HACCP	PRG/MUTE (mute)	UP/CC	DOWN/DEF	SET	Modifica parametri F	Modifica set point	Modifica da telecomando
0									•	•	
1									•	•	•
2									•	•	•
3											•
4	•					•	•		•	•	
5	•					•	•		•	•	
6						•	•		•	•	

Funzionalità tastiera "•" = Disabilitati

4.3 RÉGLAGE ET PROGRAMMATION

SYSTÈME DE CHAUFFAGE :

L'eau est chauffée par des résistances cachées installées dans la partie inférieure de la cuve.

La cuve possède à son tour un système de sécurité par de thermostat dans les résistances elles-mêmes qui les déconnecte si le thermostat de contrôle tombe en panne ou que leur température augmente excessivement (par exemple s'il n'y a plus d'eau dans la cuve).

TEMPÉRATURES DE TRAVAIL RECOMMANDÉES : Voir le tableau 1.

5 ENTRETIEN

5.1 RÈGLEMENT DE SÉCURITÉ

Éliminez le plastique de protection et les résidus adhésifs qui recouvrent l'acier.

Nettoyer soigneusement avant de suivre les instructions spécifiques qui sont détaillées plus loin dans ce manuel. Avant de réaliser toute opération sur la machine, consultez toujours le manuel qui contient les bonnes procédures et des informations importantes sur la sécurité.

Pour une meilleure conservation de l'appareil il est important qu'il reste vide et propre pendant les périodes où il n'est pas en service.

5.2 CONSERVATION ET ENTRETIEN ROUTINIER

L'entretien technique doit être réalisé par le service d'assistance technique de votre distributeur. **IMPORTANT** : Faites spéciale attention après l'usage parce que l'acier inox maintiens la chaleur pendant un temps, même si ce n'est pas en marche (chaleur résiduelle). Éviter de toucher directement la cuve avec les mains et éloigne les enfants.

CONSEILS DE NETTOYAGE

- Pour réaliser les opérations de nettoyage de l'appareil, il est recommandé de le débrancher au préalable du secteur. Évitez les projections d'eau sur les composants électriques.
- Pour nettoyer l'acier inoxydable, utilisez une éponge ou une lavette avec de l'eau tiède et du savon neutre. N'utilisez pas de produits abrasifs, de solvants, de nettoyeurs de métaux ou de détergents non dilués. Séchez ensuite avec un chiffon.
- Pour une meilleure conservation de la machine c'est important de la laisser vider et propre pendant les longue périodes sans service.

L'accès aux parties électriques de l'appareil se fait du côté inférieur de l'appareil comme le montre la figure 5.

5.3 TRAITEMENT DES DÉCHETS

Le produit est composé de pièces métalliques et plastiques. L'emballage est en bois, plastique et carton.

Pour n'importe quelle pièce de votre appareil, veuillez tenir compte que :

- À la fin du cycle de vie du produit, assurez-vous que celui-ci n'est pas jeté dans l'environnement.
- Chaque partie doit être collectée et jetée séparément, conformément à leurs différentes caractéristiques (par exemple, métaux, plastiques, caoutchouc, etc.)
- Il faudra tenir compte de la législation locale pour la collecte des déchets.
- L'appareil peut contenir des substances dangereuses : l'utilisation inadéquate ou l'élimination incorrecte peut avoir des effets négatifs sur la santé humaine et sur l'environnement.
- Si des déchets électriques et électroniques sont jetés illégalement, des sanctions établies par la législation locale sont prévues.

6 RÉSOLUTION DE PROBLÈMES

6.1 TABLEAU DE RÉSOLUTION DE PROBLÈMES

Certains problèmes sont dus à des causes faciles à éliminer sans avoir à informer le service technique. Lisez attentivement le tableau suivant :

Problème	Procédure
Le meuble ne fonctionne pas.	Assurez-vous que l'appareil est bien branché à la prise de courant et au panneau de contrôle.
Ne chauffe pas ou chauffe peu.	Contrôlez le réglage du thermostat et/ou les effets de courants d'air. Veillez à ce que l'élément chauffante soit complètement propre.
	Tous les plateaux GN ne sont pas montés sur l'armoire et la chaleur s'échappe par la zone libre
Vous avez effectué toutes les révisions de base et le problème persiste.	Contactez votre distributeur ou votre service d'assistance technique.