



# Spare part information

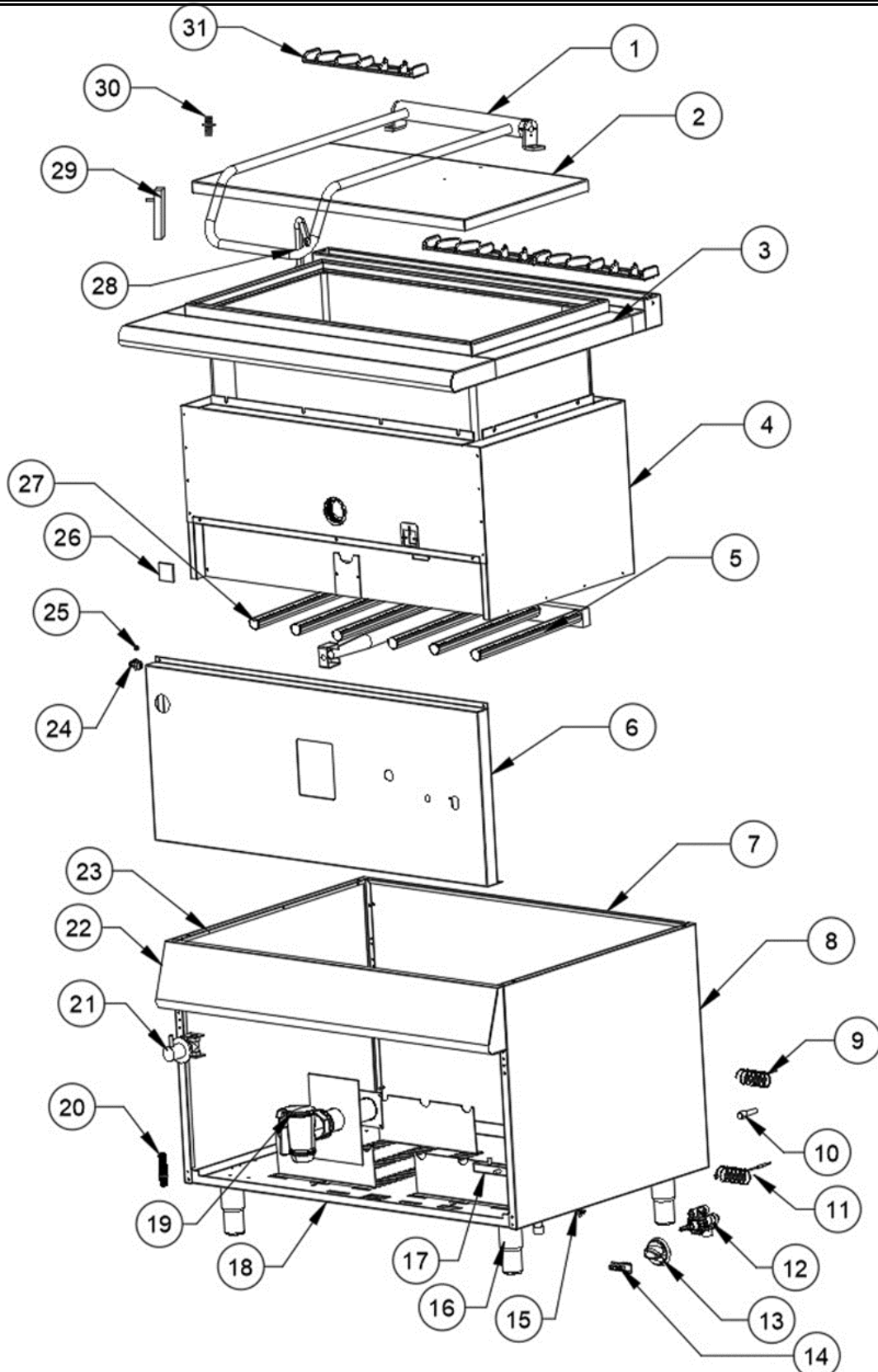
**7178.3105**



**CombiSteel**

**7178.3105**







## Spare part list 7178.3105

| POS: | Art.No.:    | Omschrijving:   | Aantal: |
|------|-------------|---|---------|
| 1    | **          | Lid Mechanism   | 1       |
| 2    | **          | Lid   | 1       |
| 3    | **          | Top Table & Tank  | 1       |
| 4    | **          | Combustion Chamber  | 1       |
| 5    | **          | Burner  | 1       |
| 6    | **          | Front Part  | 1       |
| 7    | **          | Back Panel  | 1       |
| 8    | **          | Right Side Panel  | 1       |
| 9    | CS9289.1330 | Igniter Cable 80 cm   | 1       |
| 10   | CS9289.0665 | Piezo Igniter   | 1       |
| 11   | CS9289.1330 | Thermocouple 80cm   | 1       |
| 12   | CS9289.1185 | S22 Gas Valve   | 1       |
| 13a  | CS9289.0660 | Ø8 Knob   | 1       |
| 13b  | CS9289.0907 | Knob with Igniter Bottom                                      | 1       |
| 14   | CS9289.0730 | Pilot   | 1       |
| 15   | **          | Grounding Terminal  | 1       |
| 16   | CS9289.0405 | Adjustable Leg  | 1       |
| 17   | **          | Gas Tank  | 1       |
| 18   | **          | Bottom Table  | 4       |
| 19   | CS9289.0635 | 2" Drain Valve  | 1       |
| 20   | **          | Water Inlet Fitting Part 60mm                                 | 1       |
| 21   | CS9289.1546 | Water Faucet  | 1       |
| 22   | **          | Front Panel   | 1       |
| 23   | **          | Left Side Panel   | 1       |
| 24   | CS9289.1035 | L Injector Inlet  | 1       |
| 25a  | CS9289.1548 | Injector NG Ø 4.50mm  | 1       |
| 25b  | CS9289.1020 | Injector LPG Ø 2.90mm   | 1       |
| 26   | **          | Sight Glass 55x55mm   | 1       |
| 27   | **          | Burner  | 1       |
| 28   | **          | Water Filling Pipe  | 1       |
| 29   | **          | Gas Tank  | 1       |
| 30   | CS9289.1510 | Reduction 1/2"-3/8"   | 6       |
| 31   | CS9289.0280 | Cast Iron Chimney   | 3       |
| .    |             | ## = Parts cannot be ordered separately.                      |         |
| .    |             | ** = No article number known, must be requested specifically. |         |





**7178.3105**

## **Combisteel BV**

Lichtschip 63  
3991CP Houten  
The Netherlands

+31 (0)30 285 00 90  
info@combisteel.com  
www.combisteel.com