

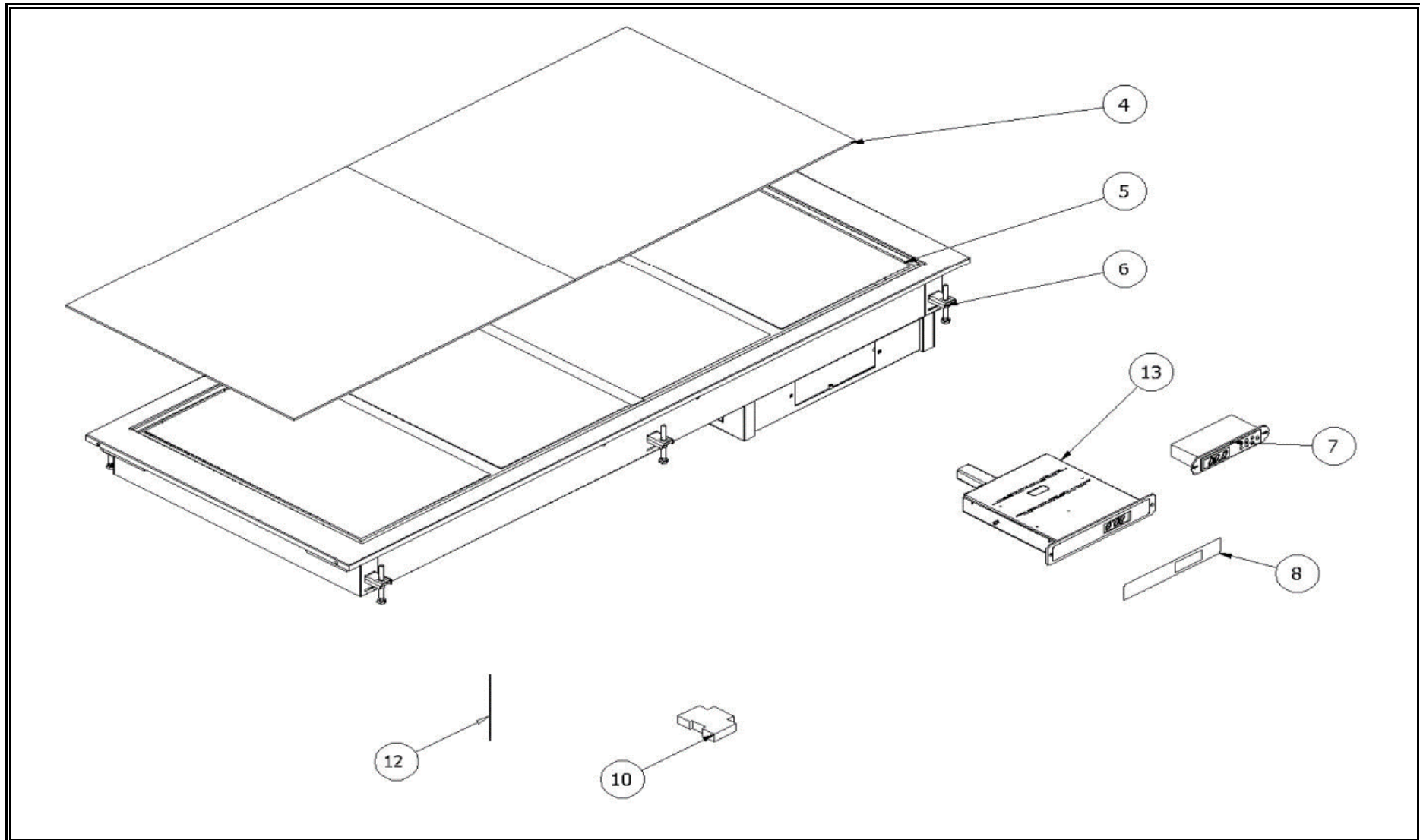


DROP-IN VERWARMDE PLAAT

Onderdelen informatie
Erzatzteil information
Spare part information
Information de pièces







POS:	Art.No.:	Omschrijving:	7495.0225	7495.0230	7495.0235	7495.0240	7495.0245	7495.0250	7495.0255	7495.0260
4		VITRO GLASSS 650X530X4	1		2	1	1		2	1
4		VITRO GLASS 975X530X4		1		1		1		1
4		VITRO WHITE GLASS 650X530X4	1		2	1	1		2	1
4		VITRO WHITE GLASS 975X530X4		1		1		1		1
5	CS9347.0100	SILICONE HEATER 450W 290X500	2	3	4	5	2	3	4	5
6		AMCHORAJE ASSEMBLY DROP	6	6	6	6	6	6	6	6
7	CS9347.0102	THERMOSTAT POWER COMPAC PMFE1Z0053	1	1	1	1	1	1	1	1
8	CS9347.0104	STICKER 223 X 35 WITHOUT LOGO	1	1	1	1	1	1	1	1
10	CS9347.0106	CONTACTOR ESB 20-20 ABB 230V 2NA				1				1
12	CS9347.0108	PROBE NTC 3m CAREL HT 150°C - CAP. INOX	1	1	1	1	1	1	1	1
13		CONTROL PANEL 4 DROP	1	1	1	1	1	1	1	1
15		POWER CABLE 3X1,5X2,5	1	1	1	1	1	1	1	1
16		HIGH T ^g BLACK SILICON	1	1	1	1				