

DROP IN

REFRIGERATED VENTILATED WELL/ CUBA REFRIGERADA VENTILADA/
CUVE RÉFRIGÉRÉE FROID VENTILÉ



DV7-C2 : CRV7-2 : 7495.0070
DV7-C3 : CRV7-3 : 7495.0075
DV7-C4 : CRV7-4 : 7495.0080
DV7-C5 : CRV7-5 : 7495.0085
DV7-C6 : CRV7-6

Ref:	A070200008
Vers.	1

Please check your equivalent model in the equivalent table
Consulte su modelo equivalente en la tabla de equivalencias
Consultez votre modèle équivalent dans le tableau d'équivalences

				
PRECAUCIÓN	TENSIÓN PELIGROSA	LEA LAS INSTRUCCIONES	TIERRA DE PROTECCIÓN	EQUIPOTENCIALIDAD
PRÉCAUTION	TENSION DANGEREUSE	LISEZ LES INSTRUCTIONS	TERRE DE PROTECTION	ÉQUIPOTENTIALITÉ
WARNING	HAZARDOUSVOLTAGE	PLEASE READINSTRUCTIONS	PROTECTIVEEARTH	EQUIPOTENTIAL BONDING

Instruction manual	12
Installation and Operation	
Manual de instrucciones	20
Uso y mantenimiento	
Manuel d'instructions	29
Installation et fonctionnement	

MACHINES DRAWING ELECTRICAL & DRAIN SITUATIONS / PLANOS TÉCNICOS EN SITUACIONES ELÉCTRICAS O, DRENAJE / PLAN TECHNIQUE EN SITUATION DU ÉLECTRICITÉ OU VIDANGE

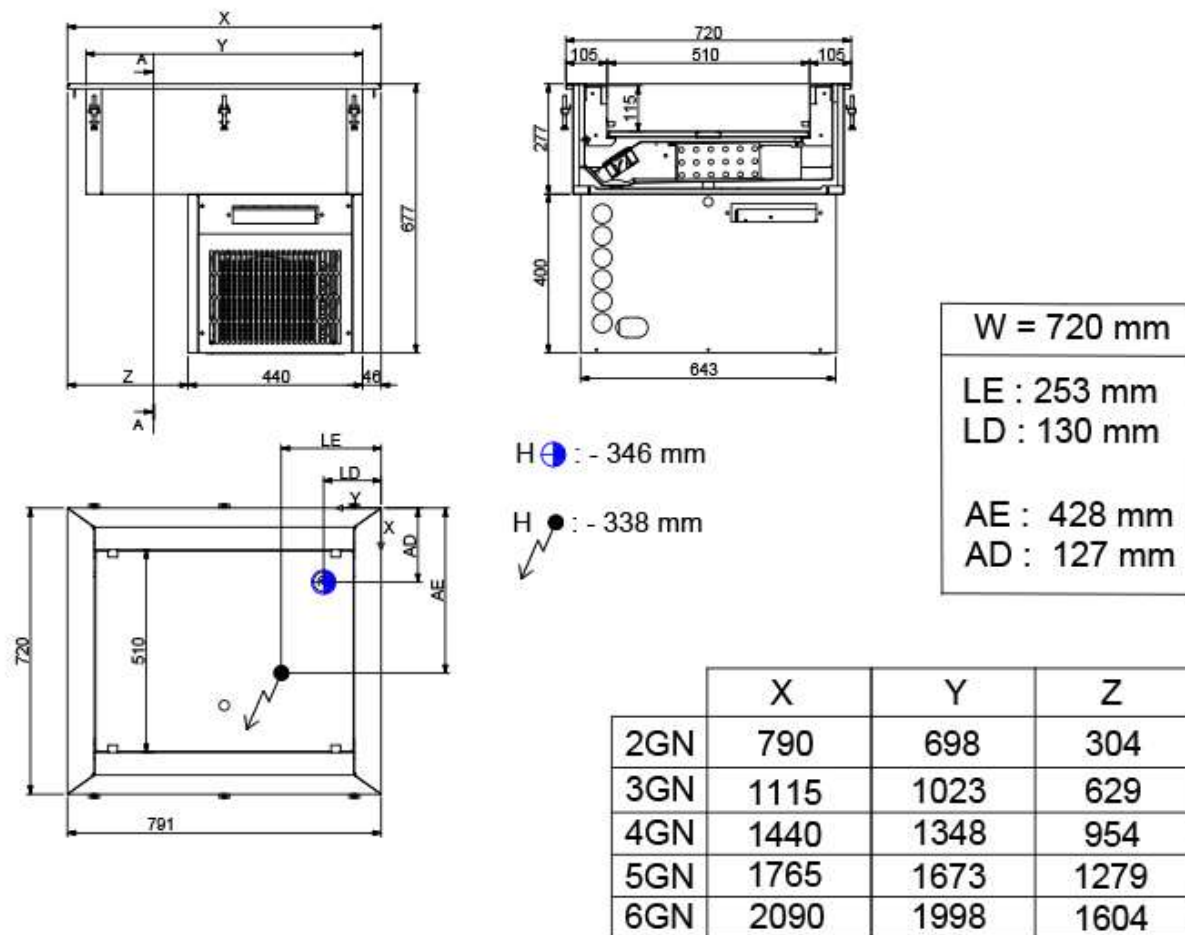


Fig 1.

Remote/ remota/ froid à distance

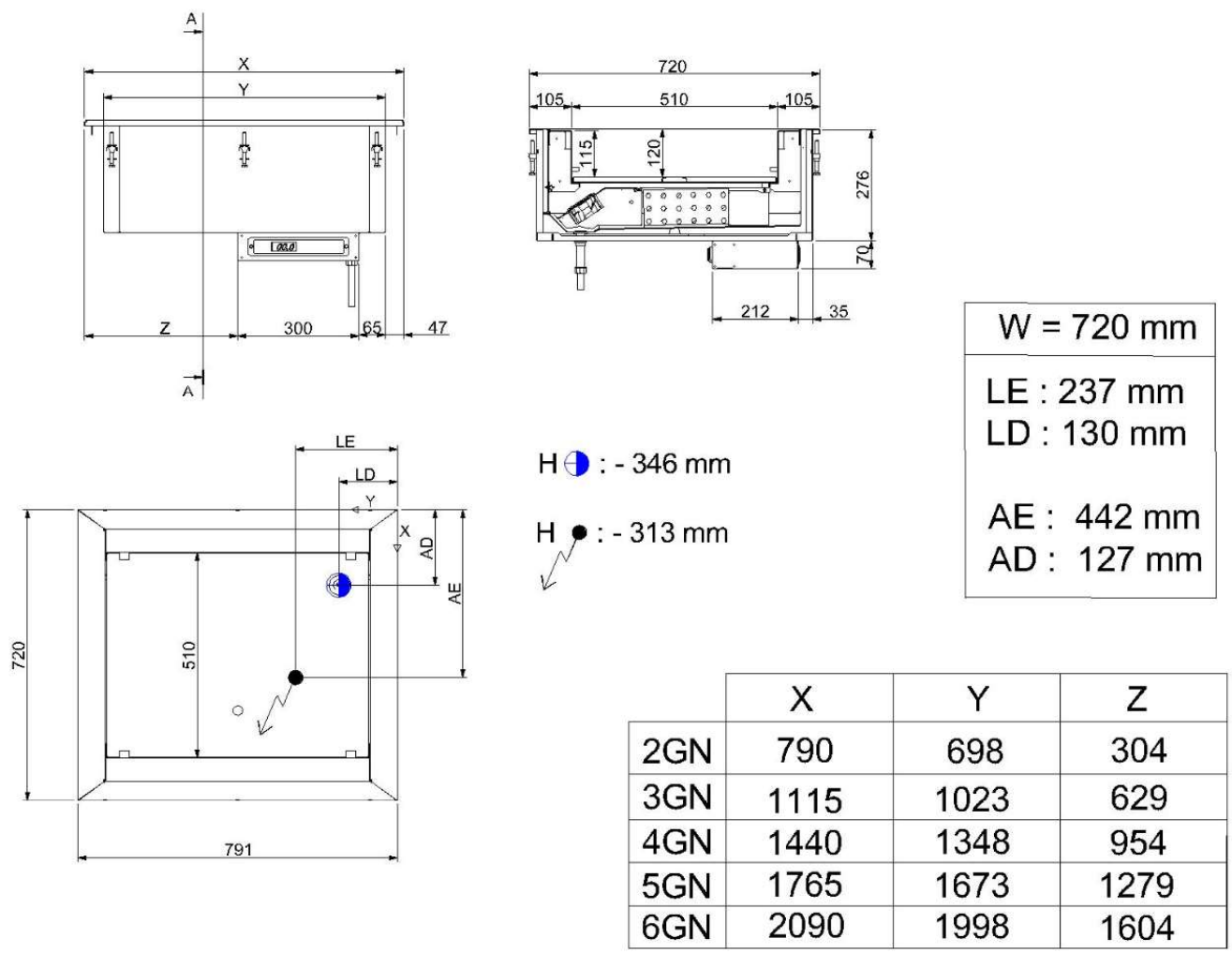


Fig. 2

TECHNICAL CHARACTERISTICS / CARACTERÍSTICAS TÉCNICAS / CARACTÉRISTIQUES TECHNIQUES

Model/ Modelo	Capacity (GN)/ Capacidad (GN)/ Capacité (GN)	Dimensions (mm)/ Medidas (mm)/ Mesures (mm)	Cut-Out Dimensions (mm)/ Medidas Encastre (mm)/ Mesures Encastrées (mm)	Voltage/ Voltaje/ Voltage	Electrica l Power (W)/ Potenci a Eléctrica (W)/ Puissanc e Électriq ue (W)	Cooling Power (W) -15°C T ^a evap. at 30 ^o amb. T ^a / Potencia Frigorífica (W) -15°C T ^a evap. a 30 ^a T ^a amb/ Puissance de refroidisseme nt (W) -15°C T ^a evap. a 30 ^a amb T ^a	Gas Type/ Gas Tipo/ Gaz Type	Climatic Class/ Clase Climática/ Clase Climatique	Work Temperatur e (°C)/ Temperatur a de Trabajo (°C)/ Températur e de travail (°C)
DV7-C2	2	790x720x677 R: 790x720x348	765x690	230/ I / 50 HZ	280 R: 20	430	R452a	IV	0°C / 4°C
DV7-C3	3	1115x720x677 R: 1115x720x348	1090x690	230/ I / 50/60 HZ	395 R: 20	590			
DV7-C4	4	1440x720x677 R: 1440x720x348	1415x690		535 R: 20	770			
DV7-C5	5	1765x720x677 R: 1765x720x348	1740x690		710 R: 20	940			
DV7-C6	6	2090x720x677 R: 2090x720x348	2065x690		760 R: 20	1110			

Tab 1.

DROP IN ASSEMBLY / MONTAJE DEL DROP IN / ASSEMBLAGE D'ENCASTREMENT

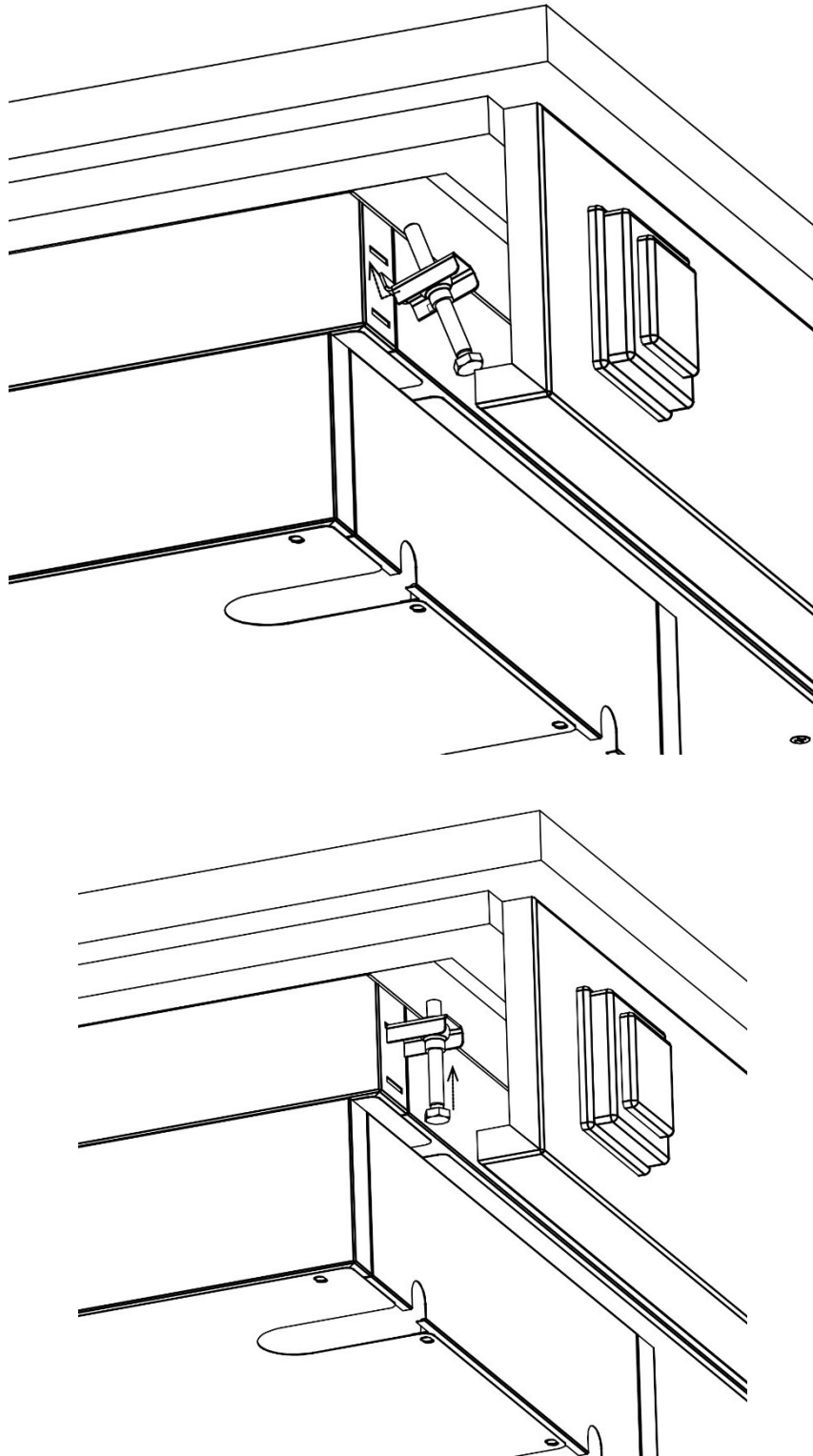


Fig 3.

DROP IN DISASSEMBLY / DESMONTAJE DEL DROP IN / DÉMONTAGE D'ENCASTREMENT

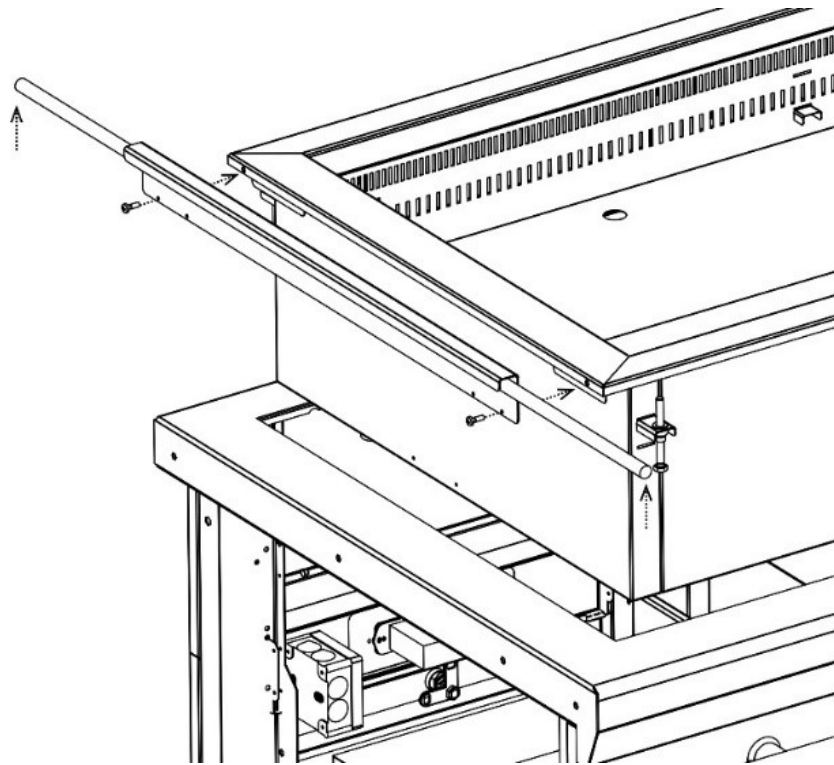


Fig 4.

CONTROL PANEL SCROLLING/ DESPLAZAMIENTO PANEL DE CONTROL/ PANNEAU DE
COMMANDE DÉFILEMENT

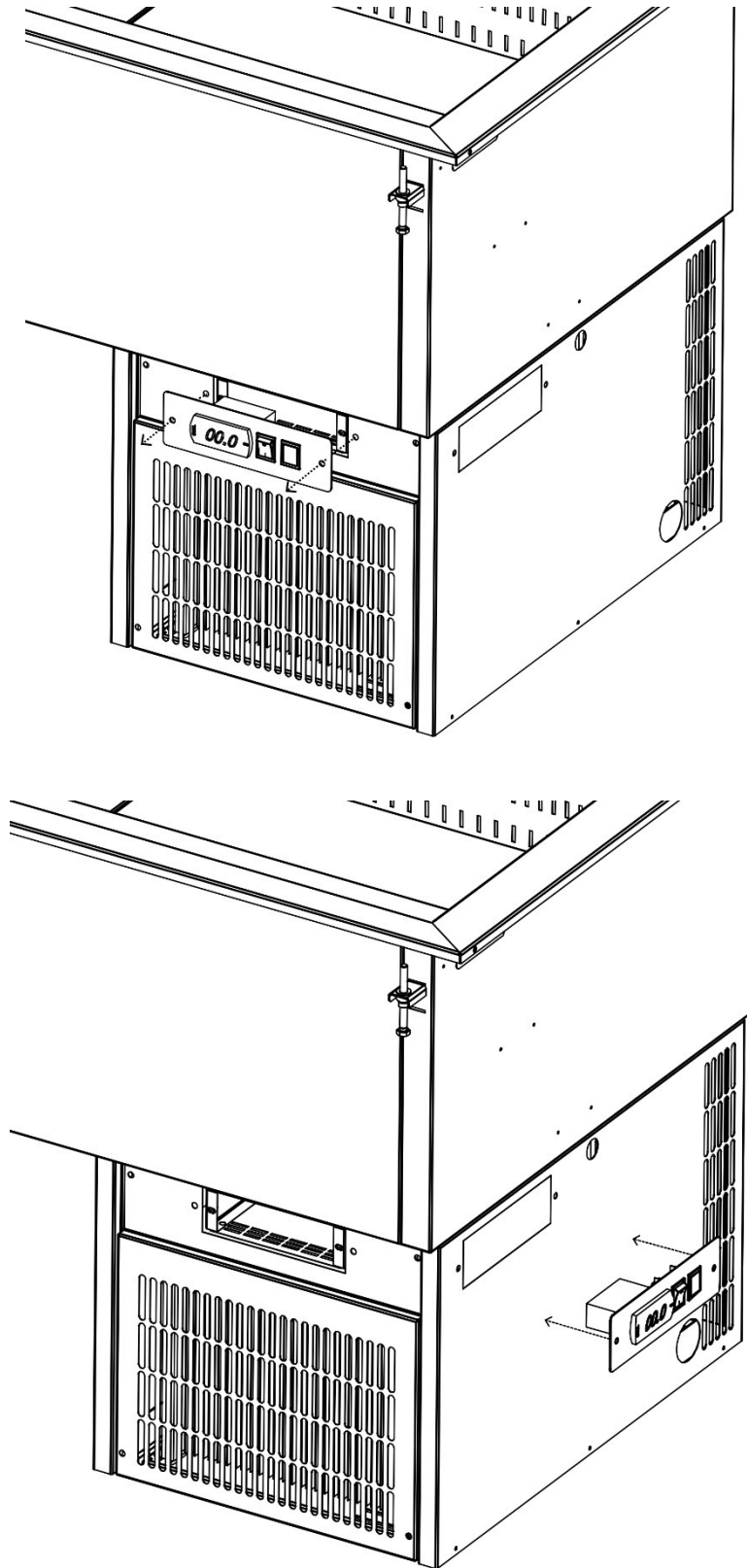


Fig. 5

DROP IN MAINTENANCE / MANTENIMIENTO DEL DROP IN / ENTRETIEN D'ENCASTREMENT

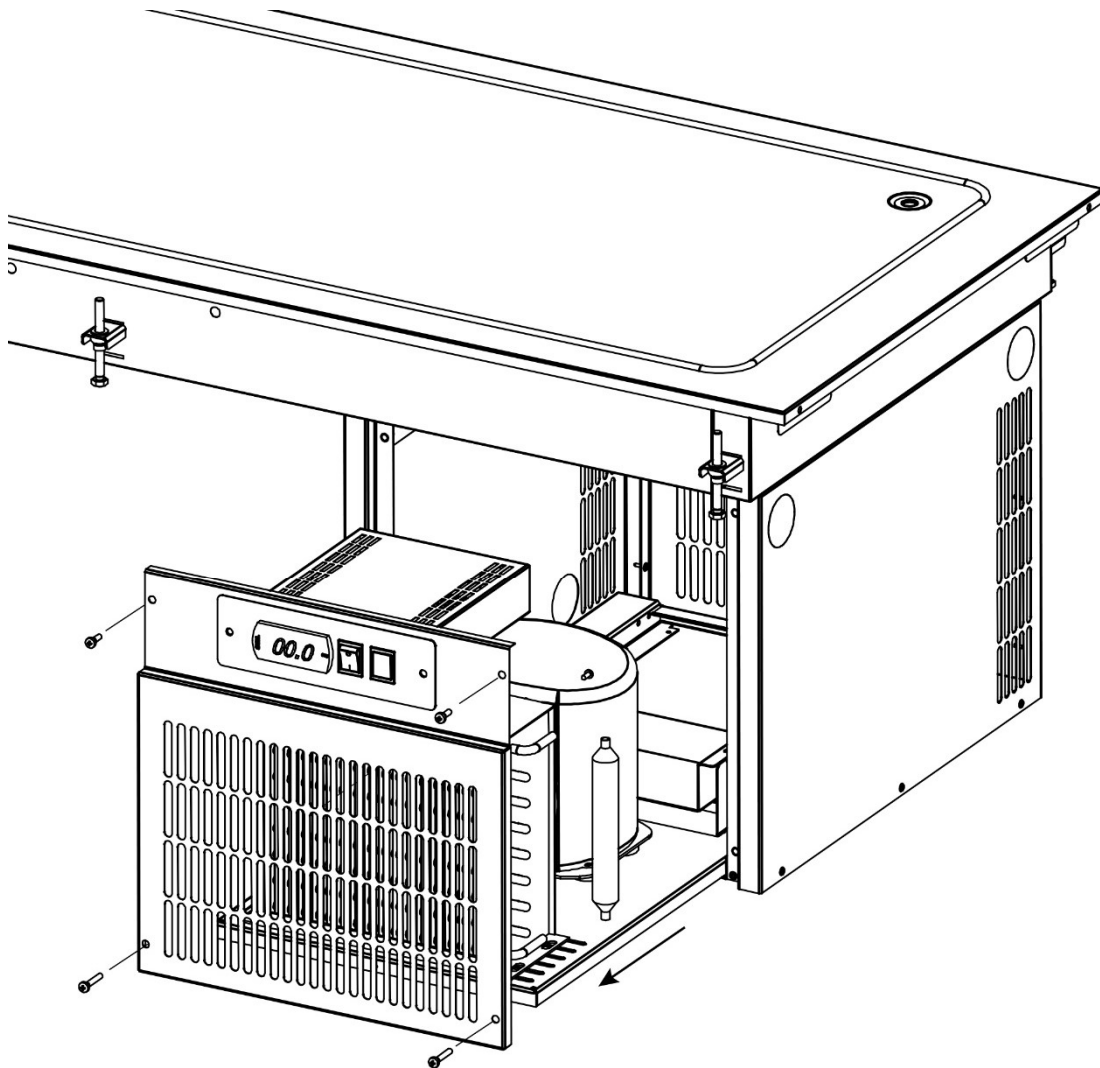
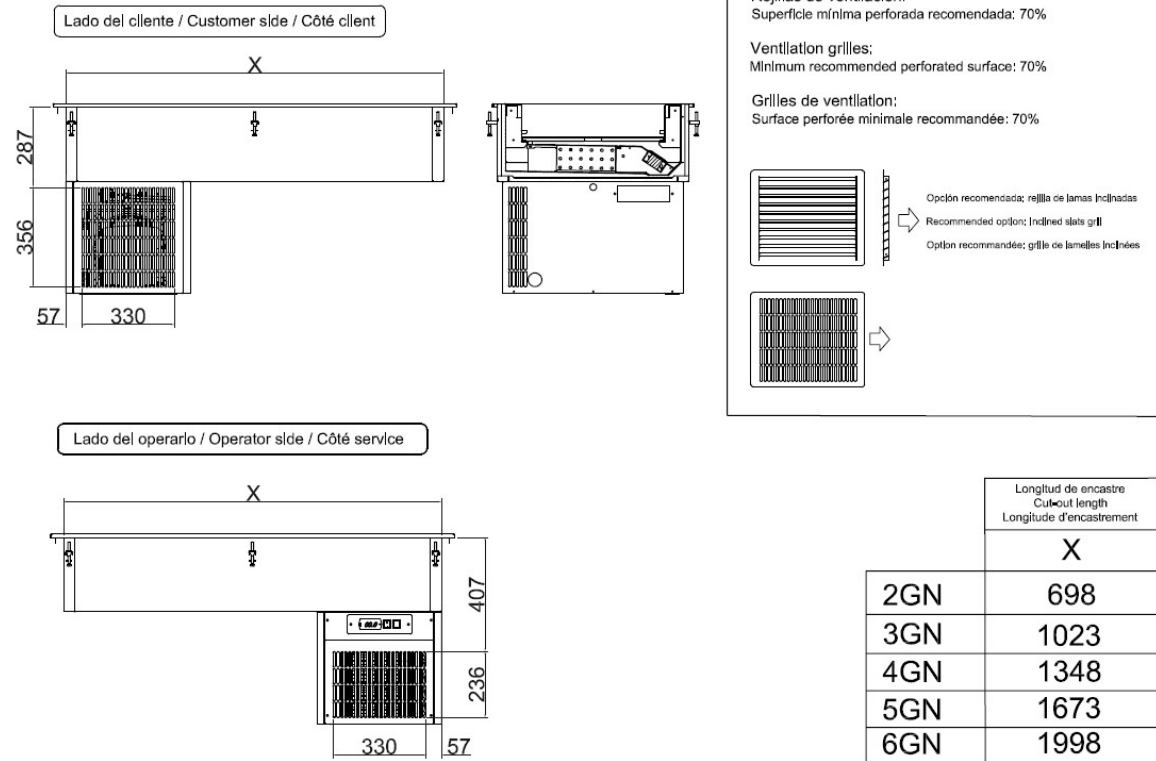


Fig. 6

The condensing unit can be moved 1,5m from the original position/ la unidad condesadora se puede desplazar 1,5m de su ubicación/ la conduite de la guerre se trouve à 1,5 mètre de distance

COLD UNIT VENTILATION/ VENTILACION DE LA UNIDAD DE FRIO/ VENTILATION DE L'UNITÉ FROIDE

Posicionamiento y medidas de las rejillas de ventilación de la unidad condensadora.
 Positioning and dimensions for the ventilation grilles of the refrigeration unit.
 Placement et mesures des grilles de ventilation du groupe de condensation.



Important note/ Nota importante/ note importante: Channel the condenser inlet or outlet to prevent heat from returning to its inlet and efficiency loss/
 canalizar la entrada al condensador o la salida para evitar que el calor vuelva a su entrada y se pierda eficiencia/ Canaliser l'entrée ou la sortie du
 condenseur pour éviter que la chaleur ne retourne à son entrée et ne dégrade son efficacité..

Fig. 7

CONTROL PANEL / PANEL DE MANDOS / PANNEAU DE COMMANDE

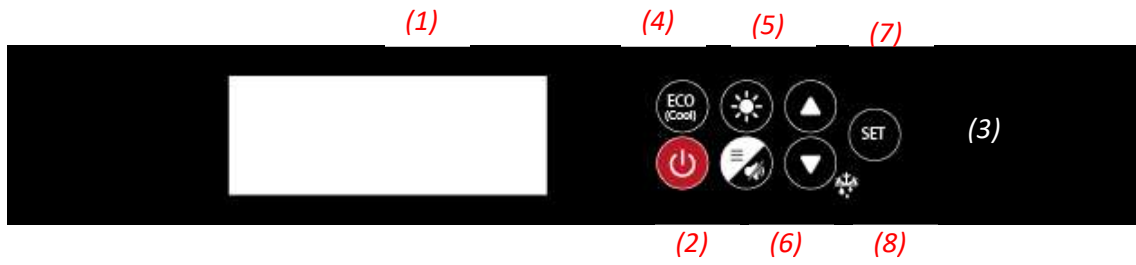


Fig. 8

HOLE TO ASSEMBLY THE CONTROL PANEL / AGUJERO PARA INSTALAR EL PANEL DE MANDOS /
LE TROU POUR ASSEMBLER LE PANNEAU DE COMMANDE

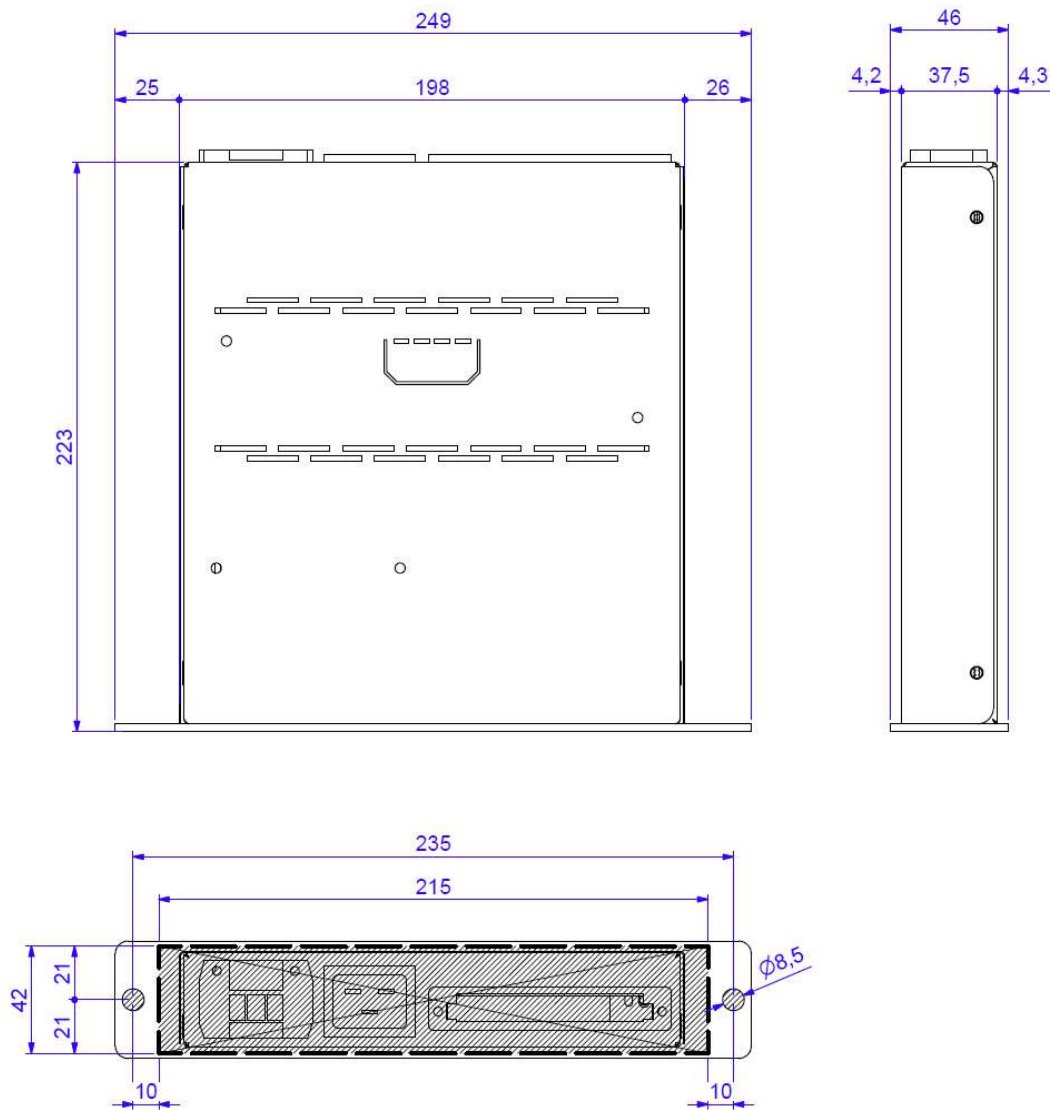


Fig. 9

1 INDEX

1	INDEX.....	12
2	MACHINE INTRODUCTION	13
2.1	INTRODUCTION TO MACHINE & MODELS	13
2.2	IMPORTANT SAFETY INFORMATION	13
2.3	SPECIFICATION CHART	13
3	INSTALLATION	14
3.1	GENERAL INFORMATION.....	14
3.2	TRANSPORT, HANDLING, UNPACKING, LOCATION	14
3.3	INTENDED USE AND RESTRICTIONS.	14
3.4	MANUFACTURER'S IDENTIFICATION LABEL DESCRIPTION.	14
3.5	INSTALLATION AND ASSEMBLY	15
3.6	CONNECTIONS.....	15
4	OPERATION	16
4.1	GENERAL INFORMATION.....	16
4.2	CONTROL PANEL DESCRIPTION	16
4.3	MACHINE SETTINGS AND PROGRAMS	17
5	MAINTENANCE	18
5.1	GENERAL SAFETY RULES.....	18
5.2	MACHINE CLEANING AND MAINTENANCE ROUTINE.....	18
5.3	MACHINE DISPOSAL	18
6	TROUBLESHOOTING CHART	19
6.1	TROUBLESHOOTING CHART	19

2 MACHINE INTRODUCTION

2.1 INTRODUCTION TO MACHINE & MODELS

The purpose for which this equipment has been designed is to be built into a self-service buffet and is specially conceived for the display and service of cold food, maintaining the food in the best temperature condition during the period of time of the serving. Said conditions will depend on the initial temperature of the products when displayed and the environmental conditions of the premises. In no case can this technical appliance be used to freeze food.

The trays can house food pans of up to 100 mm in depth of 2 to 6 GN 1/1. If these pans are not used the food can be displayed on the inside shelves of the tray, which is adjustable in height.

The technical cabinet located on the lower part includes the electricity panel, the regulating thermostat and the condensing unit.

2.2 IMPORTANT SAFETY INFORMATION

The in-situ installation and start-up of this appliance must be carried out by qualified technical personnel.

The technical parameters inside this manual are subject to change without notification.

The appliance must be only repaired by qualified personnel. Please contact your distributor and do not attempt to open this appliance.

If the appliance is not going to be used for long periods of time, make sure it is empty, cleaned and disconnected from the mains electricity supply.

The working temperature of the appliance may be affected by the ambient temperature and its location.

Make sure that external sources do not influence the appliance that may prejudice its performance (heating or direct sources of heat, air currents or similar).

The suitable ambient temperature is from +16°C to +30°C. If the premises exceed 32°C the necessary performance for a correct cooling is not guaranteed.

This appliance is made of stainless sheet steel and there are risks of cutting inherent in its design and to being made of thin sheet steel. Please take extra special care when handling it and cleaning the same.

The inside of the technical cabinet where the condensing unit located has intrinsic risks such as electricity, cutting, trapping, burns and moving rotor (fan)..

The inside of the technical cabinet has intrinsic risks such as electricity, cutting, and burns.

- Never place hot food or recipients in the appliance.
- Keep the technical cabinet closed at all times.
- Do not allow children to handle the appliance under any circumstances.
- Keep to the recommendations made by the food manufacturers.
- Do not pour liquids into the tray.

2.3 SPECIFICATION CHART

Please check Table 1 for detailed information of the product.

3 INSTALLATION

3.1 GENERAL INFORMATION

The use instructions of the digital thermostat are attached to this manual. However, WE DO NOT RECOMMEND THE ADJUSTMENT OF THE THERMOSTAT BY UNQUALIFIED PERSONNEL. Please, CONTACT YOUR DISTRIBUTOR IN ORDER TO HAVE THE NECESSARY ADJUSTMENTS CARRIED OUT.

3.2 TRANSPORT, HANDLING, UNPACKING, LOCATION

The application with its packaging in wood makes a heavy item.

Be careful in transport, handling and location operations.

On receiving the device, make sure that it has not suffered any damage in transport. Otherwise, make all pertinent claims to your supplier or to our company.

When the device has been accepted, it is preferable to keep it unpacked until it is put into service in order to protect it from any possible mechanical knocks, dust, dirt, etc....

The packaging consists of a wooden palette, a plastic surround and wooden/cardboard corner pieces, all recyclable materials

The warranty will only cover manufacturing defects, excluding any incorrect handling or use of the material by the clients or users. Labour costs and travelling expenses are always on the account of the client. Any responsibility for defects attributable to transport will not be accepted, unless the relevant claim is placed within a maximum period of time of 24 hours after receiving the goods.

For correct and safe lifting and handling operations:

- Arrange a suitable area with flat floor for machine unloading and handling operations.
- Use the type of equipment most suitable for characteristics and capacity
- Make sure the load is stable;
- Handle the machine, keeping it at minimum height from the ground.

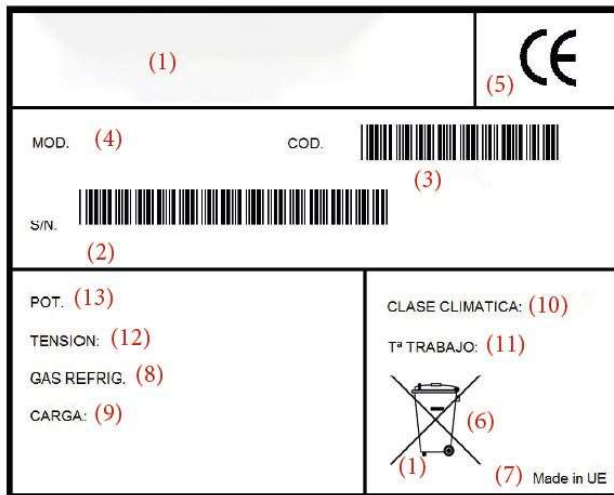
3.3 INTENDED USE AND RESTRICTIONS.

Check that the voltage and frequency of the electricity supply network coincide with those described in the characteristics plaque. It is essential that the electricity installation where the appliance is to be installed has an earth connection, as well as the necessary protection of a thermal magnetic switch and a circuit breaker. Do not connect other appliances in the same electric socket.

The manufacturer declines any liability for improper use of the product.

To have an optimum temperature of the stored products, it is necessary to leave no empty container in the machine from where the heat can escape.

3.4 MANUFACTURER'S IDENTIFICATION LABEL DESCRIPTION.



Data in the identification label:

1. Brand
2. Serial number (code+ year+ serial number)
3. Code:
4. Model:
5. CE symbol
6. Waste disposal symbol
7. Manufacturing site
8. Gas Type
9. Gas quantity (gr)
10. Climatic class
11. Working range temperature:
12. Voltage:
13. Power consumption

3.5 INSTALLATION AND ASSEMBLY

Avoid having direct sources of heat, cold, humidity, sunlight and ultraviolet rays in the final location of this appliance. Heaters, radiators, air conditioning, air currents etc. can have a negative influence on the correct operation of the same.

Make sure the floor is level, in this way preventing any vibration or noise.

Make sure that the appliance has adequate ventilation. Do not block the ventilation grid of the condensing unit.

Follow the instructions in Figure 1-2 to assembly the product in the selected location and make the appropriate connections.

3.6 CONNECTIONS

Once the device has been fitted into the hole of the furniture destined for this purpose, the anchoring is carried out by means of the anchoring system supplied as shown in the figure 3.



The condensing unit should be well ventilated for an optimum performance of the cooling system. Please follow figure 7 for designing the furniture's ventilation grill.

The control box located on the lower part of the appliance can easily be moved to the side of the technical cabinet if required (for example in the case of having the front access of the appliance closed due construction reasons).

At the same time, it can be removed from the device and installed in any other panel (for example, in the front of buffet to operate and regulate the appliance without need to open the door). The control panel can be moved a maximum of 1.6m from the original position. This is explained in figure 5. At the same time, the control panel can be assembled in other furniture, for this purpose the hole described in figure 9 must be done in the panel.

In figures 4 it is explained how to move out the device from the furniture if maintenance or reparation is required.

The drainage from the cold tray collects the liquid that may have been accidentally spilled, and the evaporator defrosting water which on occasions and depending on the climate can be

considerable. Therefore, it is essential to connect said outlet to the drainage network. The present appliance does not have a collection tray and automatic evaporation of said liquid.

REMOTE UNIT OPTIONAL

All refrigerated inlet is supplied in copper pipes, both for connecting the high pressure (liquid) and low pressure (gas) lines of the refrigeration unit are sized 3/8". It is not included the thermostatic expansion valve, capillary tube, solenoid valve nor the cutoff valve.

The electrical connection socket for solenoid valve or refrigeration unit is provided by connection terminals, located in the junction box for a maximum compressor power of 1 1/2 ". For higher powers it is necessary to implement a relay or contactor, this element will not be supplied.

4 OPERATION

4.1 GENERAL INFORMATION

This appliance carries out defrosting to get rid of the ice generated by the evaporator. It may be necessary to sometimes slightly vary the default programme of said defrosting process due to climate reasons and/or conditions in the premises.

If there is an excessive accumulation of ice on the evaporator or in the event of a lack of cooling performance of the appliance, please contact your distributor for a diagnosis to be made and assess if an adjustment in the defrosting programme is necessary.

See figure 8 for the thermostat information.

4.2 CONTROL PANEL DESCRIPTION

- 1- Display
- 2- Main On-Off button (except light)
- 3- Set
- 4- ECO function
- 5- Light On-Off
- 6- Programming and disconnect sound/ alarm
- 7- Up ▲
- 8- Down ▼, manual defrosting (only in refrigeration)

The machine is switched on by pushing the on-off button of the thermostat for 5 seconds. For maintenance operations, disconnect the machine from the mains, because the machine is in stand-by situation when it is switch off. In the refrigerated equipment, there is delay of 3 minutes till the starting up, this delay is the protection programmed by default, it should not be modified by the user.

The regulation is made by electronic thermostat with a digital display, allowing to adjust the different working temperatures of the machine:

Pressing the **SET** (3) command for 1 second activates the set point to reach the desired temperature value displayed on the Display (1). To do this, press the cursors (8 or 9) ▲ ▼ until the desired temperature is reached. Once reached, press and hold the SET (3) command for 1 second to set the acquired value.

It is possible to activate the **ECO** mode (5) energy saving by pressing for 3 seconds this key. When activated, ECO will appear in the display (1). To return to the normal state, perform the same operation. This will display the word NOR in the display (1).

It is possible to activate or deactivate the light output by pressing the **LIGHT** (6) command for 1 second.

To access the **sounds and alarms** program (7), press and hold for more than 5 seconds. The parameter setting menu (F) will appear in the display (1) or in case of alarms, the alarm will be silenced and the alarm relay will be deactivated.

Pressing this command (7) and command ▲ (8) simultaneously for more than 5 seconds, all alarms are reset.

Pressing this command (7) and the **SET** (3) command for more than 5 seconds simultaneously accesses the parameter setting menu (C)

To change the parameters C or F once within the selected menu, move through the parameters with the cursors ▲ (8) and ▼ (9) until you reach the parameter to be modified or the sound and alarms key (7) to display the menu complete to reach the category more quickly. Pressing SET (3) selects the category or parameter to modify and is modified by ▲ (8) and ▼ (9). Once all the desired parameters are modified, they are memorized by pressing the sounds and alarms command (7) for more than 5 seconds. If nothing is pressed in 60 s you lose the Co F menu by losing data that has not been saved.

Pressing this command ▲ (8) and the SET (3) command simultaneously for more than 5 seconds activates the printout of the report.

BASIC PARAMETERS MODIFIED BY THE USER.

"Pro"

Pw (Password): Default value 22.

/ 5 (Selection °C or °F): Default value °C.

"Ctl"

St (Setpoint): Default value per model. Modify if applicable.

"ALM"

AL (Low temperature alarm activation): Default value 0 (disabled).

AH (High temperature alarm activation): Default value 0 (disabled).

Code	Parameter	Models	UOM	Type	Min	Max	Def.
AL	Low temperature alarm threshold	MSYF	°C/°F	F	-50	200	0.0
AH	High temperature alarm threshold	MSYF	°C/°F	F	-50	200	0.0

"CnF"

H2 (Keyboard Disable): Default value 1.

H2	Disable keypad/IR
	Parameter "H2"
	LIGHT
	ON/OFF
	AUX
	HACCP
	PRG/MUTE (mute)
	UP/CC
	DOWN/DEF
	SET
	Parameter F modification
	Set point modification
	Remote control modif.
0	
1	
2	
3	
4	•
5	•
6	•
	Keypad function "•" = Disabled

4.3 MACHINE SETTINGS AND PROGRAMS

COOLING SYSTEM:

The tray is equipped with a ventilated evaporator, which can be accessed for cleaning purposes and repairs by opening the hinged lids which cover the same.

The main components of the condensing unit include a hermetic compressor and an air condenser.

The gas used in the cooling circuit is described in table 1 and the working pressure is approximately 2,4 and 3,2 bar depending on the model. The gas expansion at the entrance of the evaporator is carried out by means of a capillary tube.

RECOMMENDED WORKING TEMPERATURES: See Table 1.

The use instructions of the digital thermostat are attached to this manual. However, WE DO NOT RECOMMEND THE ADJUSTMENT OF THE THERMOSTAT BY UNQUALIFIED PERSONNEL. Please, CONTACT YOUR DISTRIBUTOR IN ORDER TO HAVE THE NECESSARY ADJUSTMENTS CARRIED OUT.

5 MAINTENANCE

5.1 GENERAL SAFETY RULES

Remove the outside plastic and any remaining adhesive covering the steel.

Clean carefully before using by following the specific instructions detailed later in this manual.

Before carrying out any operation on the machine, always consult this manual which gives the correct procedures and contains important information on safety. In order to clean the appliance it is recommendable to firstly disconnect the same from the mains electricity supply.

5.2 MACHINE CLEANING AND MAINTENANCE ROUTINE

Any technical maintenance must be carried out by your distributor's technical assistance service

CLEANING ADVICES:

- Do not splash water on the electric components.
- To clean the stainless steel use a sponge or cloth, tepid water and neutral soap.
- Do not use abrasive products, solvents, metal cleaning liquids or undiluted detergents.
- Dry with a cloth afterwards
- Keeping the cooling unit clean, specifically the condenser is very important in order to optimise its operation and reduce electricity consumption. Use soft brushes or a vacuum cleaner for this.

The access to the electric parts of the device is by means of a removable condensing unit as shown in figure 6.

5.3 MACHINE DISPOSAL

The product is made up of metal parts and stone parts. The packaging is made of wood, plastic and cardboard. For any part of the appliance, please note that:

- At the end of the product's life-cycle, make sure it is not dispersed in the environment.
- Each part must be collected and disposed of separately, according to their different characteristics (e.g. metals, plastic, rubber, etc.)
- The public or private waste collection systems defined by local legislation must be considered.
- The equipment may contain hazardous substances: the improper use or incorrect disposal may have negative effects on human health and on the environment;
- In the event of illegal disposal of electrical and electronic waste, penalties are specified by local waste disposal legislation.

6 TROUBLESHOOTING CHART

6.1 TROUBLESHOOTING CHART

The appliance electric motor has a thermal protector included that trips in the event of overcurrent or lack of current. When this protector trips the appliance must be disconnected to prevent malfunctioning.

Connect the appliance after an hour and contact your technical service in the event the problem remains.

Some problems are due to causes that are easily resolved without having to contact the technical service. Please read the following table carefully:

Problem	Procedure
The appliance does not work	Check that the appliance is correctly connected to the electricity socket and the electrical panel, and that the automatic power limiter has not tripped.
Does not cool sufficiently	Check the regulation of the thermostat and/or influence or direct sources of heat and air currents on the tray. Make sure that the condenser of the cooling unit is completely clean
Excessive noise when operating	Make sure that the appliance is correctly levelled. Check the anchoring system of the appliance elements that may have moved or become loose.
The evaporator is full of ice and the appliance does not cool sufficiently	Force defrosting manually, if the problem remains, contact your distributor or your Technical Assistance Service.
All the basic checks have been carried out and the problem remains	Contact your distributor or your Technical Assistance Service.

1 ÍNDICE

1	ÍNDICE.....	20
2	INTRODUCCIÓN.....	21
2.1	INTRODUCCIÓN.....	21
2.2	INFORMACIÓN DE SEGURIDAD.....	21
2.3	ESPECIFICACIONES TÉCNICAS.....	21
3	INSTALACIÓN.....	22
3.1	INFORMACIÓN GENERAL.....	22
3.2	TRANSPORTE, DESEMBALAJE Y MANIPULACIÓN.....	22
3.3	USO PREVISTO Y RESTRICCIONES.....	22
3.4	DESCRIPCIÓN DE LA ETIQUETA DE IDENTIFICACIÓN.....	22
3.5	INSTALACIÓN Y MONTAJE.....	23
3.6	CONEXIONES.....	23
4	FUNCIONAMIENTO.....	24
4.1	INFORMACIÓN GENERAL.....	24
4.2	DESCRIPCIÓN DEL PANEL DE CONTROL.....	24
4.3	AJUSTES Y PROGRAMAS DE LA MÁQUINA.....	26
5	MANTENIMIENTO.....	26
5.1	NORMAS GENERALES DE SEGURIDAD.....	26
5.2	LIMPIEZA Y MANTENIMIENTO RUTINARIO.....	26
5.3	GESTIÓN DE RESIDUOS.....	27
6	TABLA DE RESOLUCIÓN DE PROBLEMAS.....	27
6.1	TABLA DE RESOLUCIÓN DE PROBLEMAS.....	27

2 INTRODUCCIÓN

2.1 INTRODUCCIÓN

El objeto para el que se ha diseñado este elemento es el de ser encastrado en un buffet de autoservicio y está especialmente concebido para la exposición y el servicio de alimentos fríos, manteniendo estos últimos en las mejores condiciones de temperatura durante el periodo de tiempo que dura el servicio. Dichas condiciones dependerán de la temperatura inicial de los productos en el momento de su exposición y de las condiciones ambientales del local. En ningún caso este elemento técnico sirve para refrigerar alimentos.

Las cubas tienen medidas equivalentes de 2 a 6 gastronorm 1/1. Se podrán alojar recipientes gastronorm de hasta 100 mm de profundidad. Si se prescinde de dichos recipientes el género también se puede exponer en los estantes interiores de la cuba, que son regulables en altura.

El armario técnico situado en la parte inferior acoge el cuadro eléctrico, el termostato de regulación y la unidad condensadora.

2.2 INFORMACIÓN DE SEGURIDAD

La instalación in situ y la puesta en marcha de este mueble deben ser realizadas por personal técnico cualificado. Los parámetros técnicos indicados en este manual no están sujetos a contrato y podrían variar sin pre aviso.

El aparato debe ser reparado únicamente por personal cualificado. Antes de cualquier manipulación, avise a su distribuidor.

Si no va a usar el mueble durante largos periodos de tiempo, procure que se quede desconectado de la red, vacío y limpio.

Las temperaturas de trabajo del aparato pueden verse afectadas por la temperatura ambiente y su localización.

Procure que no incidan sobre el aparato fuentes externas que perjudiquen su rendimiento (calefacción, fuentes de calor directas, corrientes de aire o similares).

La temperatura ambiente adecuada es desde +16°C hasta +30°C.

Si el local sobrepasa los 32°C no se garantiza el rendimiento necesario para una correcta refrigeración.

Todo el aparato está construido mediante chapas de acero inoxidable por lo que presenta riesgos de corte inherentes a su diseño y a su construcción con chapas de pequeños espesores. Extreme la precaución manipulándolos y limpiándolos.

El interior del armario técnico, donde se encuentra la unidad condensadora, presenta riesgos intrínsecos tales como riesgo eléctrico, de corte, de atrapamiento, de quemadura y de rotor en movimiento (ventilador).

- No introduzca nunca alimentos o recipientes calientes.
- Respete las recomendaciones de los fabricantes de alimentos.
- Mantenga siempre el armario técnico cerrado.
- No permita que los niños manipulen el aparato bajo ninguna circunstancia.
- Procure no derramar agua en la cuba.

2.3 ESPECIFICACIONES TÉCNICAS

Para conocer las informaciones técnicas detalladas de su equipo consulte la Tabla 1.

3 **INSTALACIÓN**

3.1 **INFORMACIÓN GENERAL**

Encontrará las instrucciones de uso del termostato digital junto a este manual. No obstante, **NO SE RECOMIENDA LA MANIPULACIÓN DEL TERMOSTATO POR PERSONAL NO CUALIFICADO**. Por favor, **AVISE A SU DISTRIBUIDOR PARA QUE REALICE LOS AJUSTES NECESARIOS POR USTED**.

3.2 **TRANSPORTE, DESEMBALAJE Y MANIPULACIÓN**

El equipo con su embalaje de madera constituye una mercancía pesada. Tenga cuidado en las operaciones de transporte, manipulación y ubicación.

Al recibir el equipo, asegúrese de que no ha sufrido ningún daño durante el transporte. De lo contrario, formule las correspondientes reclamaciones a su distribuidor.

Cuando el equipo ha sido aceptado, es preferible mantenerlo embalado hasta que se ponga en servicio, a fin de protegerlo de posibles golpes mecánicos, polvo, suciedad, etc...

El embalaje se compone de un palet de madera, film protector de plástico y piezas de esquina de madera / cartón. Todos los materiales son reciclables.

Para realizar las operaciones de elevación y manipulación de forma correcta y segura:

- Organizar una zona adecuada con piso plano para operaciones de descarga de la máquina y de manipulación.
- Utilizar el tipo de equipo más adecuado para las características y la capacidad.
- Asegúrese de que la carga es estable para manejar el mueble, manteniéndolo a una altura mínima desde el suelo.

El fabricante se responsabilizará únicamente de los defectos de fabricación, quedando excluidas la manipulación o utilización incorrecta del material por parte del cliente o usuario. El servicio de la mano de obra y los desplazamientos son siempre por cuenta del cliente. Se declina toda responsabilidad por los defectos imputables al transporte, siempre que no se realice la reclamación oportuna en un máximo de 24 horas después de recibir la mercancía.

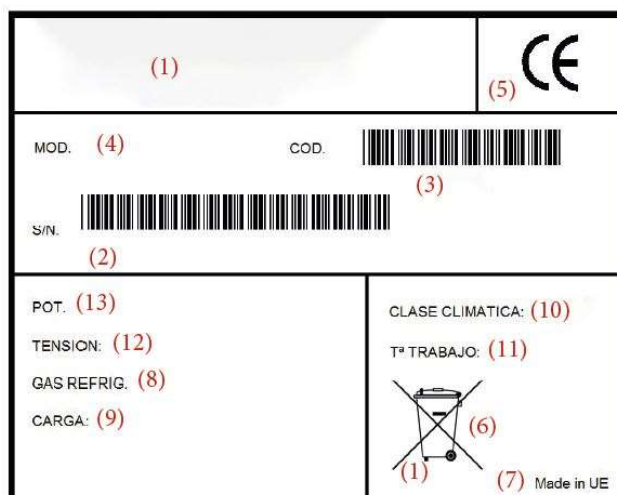
3.3 **USO PREVISTO Y RESTRICCIONES.**

Compruebe que la tensión y la frecuencia de la red coinciden con las descritas en la placa de características. Es imprescindible que la instalación eléctrica donde se vaya a conectar el aparato disponga de toma tierra, así como de la debida protección de magneto térmico y diferencial. No conecte otros aparatos alimentándolos con la misma acometida eléctrica.

El fabricante declina toda responsabilidad por el uso indebido del producto.

Para tener una temperatura óptima de los productos almacenados, es necesario dejar el contenedor vacío en la máquina desde donde el calor puede escapar.

3.4 **DESCRIPCIÓN DE LA ETIQUETA DE IDENTIFICACIÓN**



Datos en la etiqueta de identificación:

1. Marca
2. Número de serie (código+ año+ número de serie)
3. Código:
4. Modelo:
5. Símbolo CE
6. Símbolo de eliminación de residuos
7. País de fabricación
8. Gas refrigerante (si procede)
9. Carga de gas (gr) (si procede)
10. Clase climática (si procede)
11. Temperatura de trabajo:
12. Voltaje:
13. Consumo de energía

3.5 INSTALACIÓN Y MONTAJE

Evite las fuentes directas de calor, frío, humedad, rayos solares y rayos ultravioletas en la ubicación definitiva del presente aparato. Estufas, radiadores, aire acondicionado, corrientes de aire etc. pueden influir negativamente en su correcto funcionamiento.

Asegúrese de que el suelo está bien nivelado, así evitará vibraciones y ruidos.

Asegúrese de que el aparato tiene una correcta ventilación. No taponar las rejillas de ventilación de la unidad condensadora.

Siga las instrucciones indicadas en la figura 1-2 para montar el producto en el lugar seleccionado y realizar las conexiones oportunas.

3.6 CONEXIONES

Una vez encastrada la cuba o placa en el orificio del mueble destinado a tal fin, la fijación se realiza mediante los anclajes suministrados tal como se muestra en el croquis. Consulte Figura 3 para más información.



La unidad condensadora debe estar bien ventilada para un correcto funcionamiento del equipo. Consulte la Figura 7 para diseñar la parrilla de ventilación del mueble donde se instala el equipo.

La caja de mandos ubicada en la parte inferior del aparato puede moverse fácilmente al lateral del armario técnico si fuese necesario (por ej. en el caso de tener cerrado el acceso frontal al aparato por motivos constructivos del mueble que lo aloja). Así mismo, puede ser extraída de su armario técnico e instalada en cualquier otro panel (por ej. en el frente del buffet para poder accionar y regular el aparato sin necesidad de abrir una puerta). Consulte Figura 5 para consultar la extraibilidad del mando. Al mismo tiempo, el panel de control se puede montar en otros muebles, para ello el agujero descrito en la figura 9 debe hacerse en el panel.

En la Figura 4 se indica como extraer el elemento técnico para realizar labores de mantenimiento o reparación.

El desagüe proveniente de la cuba fría realiza la recogida de líquidos que se hayan podido derramar por accidente y de las aguas de desescarche del evaporador que, en ocasiones y dependiendo del clima y de las condiciones del local, pueden ser cantidades considerables. Por

tanto, es imprescindible conectar dicho desagüe a la red. El presente aparato no dispone de una cubeta de recogida y evaporación automática de dichas aguas.

OPCIÓN DE UNIDAD REMOTA

Las tomas frigoríficas se suministran con tubo de cobre de 3/8", tanto para la conexión de alta presión (línea de líquido) como para baja presión (línea de gas). **NO SE SUMINISTRA: VÁLVULA TERMOSTÁTICA, TUBO CAPILAR, VÁLVULA SOLENOIDE, NI LLAVES DE CORTE.**

La toma de conexión eléctrica para válvula solenoide o unidad frigorífica, se facilita mediante bornas de conexión, ubicadas en la caja de conexiones para una potencia máxima de compresor de 1 1/2". Para potencias mayores es necesario la implantación de un relé o contactor, este elemento no será suministrado.

4 FUNCIONAMIENTO

4.1 INFORMACIÓN GENERAL

Este aparato realiza desescarches automáticos para eliminar el hielo generado en el evaporador. En ocasiones puede ser necesario variar ligeramente la programación por defecto de dichos desescarches por motivos de clima y/o condiciones del local.

Si observa una acumulación excesiva de hielo en el evaporador o la falta de rendimiento frigorífico del aparato, deberá avisar a su distribuidor para que realice un diagnóstico y evalúe si es preciso hacer algún reajuste en la programación de los desescarches.

En la figura 8 puede consultar el teclado del panel de mandos.

4.2 DESCRIPCIÓN DEL PANEL DE CONTROL

1. Display
2. On-Off general (excepto iluminación)
3. Set
4. Función ECO
5. On-Off Iluminación
6. Programación y desactivación de sonido/alarma
7. Cursor (arriba) ▲
8. Cursor (abajo) ▼ , desescarche manual (sólo en refrigeración)

El encendido y apagado del aparato se realiza mediante el pulsador de puesta en marcha integrado en el termostato (fig. 8) pulsando el botón de **ON/OFF** (2) durante 5 segundos. Para intervenciones de mantenimientos, cortar la tensión eléctrica para no dañar el sistema, si sólo se apaga, el aparato permanece en stand-by. En los elementos frigoríficos hay un retardo de 3 minutos. Este retardo es la protección programada por defecto, no debería ser modificada por el usuario.

La regulación se realiza mediante termostato electrónico de lectura digital, permitiendo ajustar las distintas temperaturas de trabajo del aparato:

Al pulsar el comando **SET** (3) durante 1 segundo, se activa el punto de consigna para llegar al valor deseado de temperatura que se visualiza en el Display (1). Para ello, apretar los cursores (8 o 9) ▲▼ hasta alcanzar la temperatura deseada. Una vez alcanzada, mantener pulsado el comando SET (3) durante 1 segundo, para fijar el valor adquirido.

Es posible activar la modalidad **ECO** (5) de ahorro energético pulsando durante 3 segundos esta tecla. Al activarla aparecerá en el display (1) la palabra ECO. Para volver al estado normal, realizar el mismo ejercicio. De esta forma aparecerá la palabra NOR en el display (1).

Es posible activar o desactivar la salida de luz pulsando durante 1 segundo el comando LUZ (6).

Para acceder al programa **sonidos y alarmas** (7), mantener pulsando durante más de 5 segundos. Aparecerá en el display (1) el menú configuración de parámetros frecuentes (F) o en caso de alarmas, silencia la alarma acústica, desactivando el relé alarma.

Pulsando simultáneamente este comando (7) y el comando ▲ (8) durante más de 5 segundos, se procede a restablecer todas las alarmas.

Pulsando simultáneamente este comando (7) y el comando **SET** (3) durante más de 5 segundos, se accede al menú configuración de parámetros (C)

Para modificar los parámetros C o F una vez dentro del menú elegido, moverse por los parámetros con los cursores ▲(8) y ▼(9) hasta alcanzar el parámetro a modificar o bien desde la tecla sonidos y alarmas (7) que permite visualizar el menú completo para alcanzar la categoría más rápidamente. Pulsando SET (3) se selecciona la categoría o el parámetro a modificar y se modifica mediante ▲(8) y ▼(9). Una vez modificados todos los parámetros deseados, estos se memorizan presionando el comando sonidos y alarmas (7) durante más de 5 segundos. Si no se presiona nada en 60 segundos, se sale del menú C o F perdiendo los datos que no se hayan guardado.

Pulsando simultáneamente este comando ▲ (8) y el comando SET (3) durante más de 5 segundos, se activa la impresión del informe.

Para activar o desactivar el desescarche manual, basta con pulsar el comando abajo ▼ (9) durante más de 5 segundos.

PARÁMETROS BÁSICOS MODIFICABLES POR EL USUARIO.

“Pro”

Pw (Password): Valor por defecto 22.

/5 (Selección °C o °F): Valor por defecto °C.

“Ctl”

St (Punto de consigna): Valor por defecto según modelo. Modificar si procede.

“dEF”

dp1 (Duración del desescarche): Aumentar si fuese necesario.

d/3 (Visualización sonda condensador): Solo refrigeración.

“ALM”

AL (Activación alarma baja temperatura): Valor por defecto 0 (deshabilitada).

AH (Activación alarma alta temperatura): Valor por defecto 0 (deshabilitada).

Cód.	Parámetro	Modelos	U.M.	Tipo	Min	Máx	Pred.
AL	Umbral de alarma de baja temperatura	MSYF	°C/°F	F	-50	200	0.0
AH	Umbral de alarma de alta temperatura	MSYF	°C/°F	F	-50	200	0.0

“CnF”

H2 (Deshabilitación teclado): Valor por defecto 1.

H2	Deshabilitación teclado/ir										
Parámetro "H2"	LUZ	ON/OFF	AUX	HACCP	PRG/MUTE (mute)	UP/CC (ciclo continuo)	DOWN/DEF (desescarche)	SET	Modificación parámetros F	Modific. punto de consigna	Modific. desde telecom.
0									•	•	
1											
2									•	•	•
3											•
4		•							•		
5		•				•	•		•	•	
6						•	•		•	•	

Funcionalidad teclado "•" = Deshabilitado

4.3 AJUSTES Y PROGRAMAS DE LA MÁQUINA

REFRIGERACIÓN:

La cuba está equipada con un evaporador ventilado, accesible para limpieza y reparaciones abatiendo las tapas pivotantes que lo cubren.

La unidad condensadora incorpora, como elementos principales, un compresor hermético y un condensador por aire.

El gas utilizado en el circuito frigorífico se especifica en la tabla 1, con una presión de trabajo aproximada comprendida entre 2,4 y 3,2 bares según el modelo. La expansión del gas a la entrada del evaporador se realiza mediante tubo capilar.

TEMPERATURAS DE TRABAJO RECOMENDADAS: Ver Tabla 1.

Para cualquier otra información, siga las instrucciones indicadas en el manual del controlador electrónico. No obstante, **NO SE RECOMIENDA LA MANIPULACIÓN DEL TERMOSTATO POR PERSONAL NO CUALIFICADO**. Por favor, **AVISE A SU DISTRIBUIDOR PARA QUE REALICE LOS AJUSTES NECESARIOS POR USTED**.

5 MANTENIMIENTO

5.1 NORMAS GENERALES DE SEGURIDAD

Elimine el plástico protector y los residuos adhesivos que cubren el acero.

Limpie cuidadosamente antes de usar siguiendo las instrucciones específicas que se detallan más adelante en este manual. Antes de realizar cualquier operación en la máquina, siempre consulte el manual que contiene los procedimientos correctos y contiene información importante sobre seguridad.

Para una mejor conservación del aparato es importante que permanezca vacío y limpio durante los periodos que no esté en servicio.

Elimine el plástico protector y los residuos adhesivos que cubren el acero.

5.2 LIMPIEZA Y MANTENIMIENTO RUTINARIO

Cualquier mantenimiento técnico debe ser llevado a cabo por su distribuidor de servicio de asistencia técnico.

CONSEJOS DE LIMPIEZA

- Para realizar las labores de limpieza del aparato es recomendable desconectarlo previamente de la red. No salpique agua a los componentes eléctricos.
- Para limpiar el acero inoxidable utilice una esponja o bayeta, agua tibia y jabón neutro. No utilice productos abrasivos, disolventes, limpiadores de metales o detergentes no diluidos. Seque
- posteriormente con un paño.
- Es muy importante mantener la unidad frigorífica limpia, en particular el condensador, para optimizar su funcionamiento y reducir el consumo de energía eléctrica. Utilice para ello cepillos de cerdas blandas o un aspirador.

El acceso a las partes eléctricas del dispositivo es por medio de una unidad de condensación extraíble como se muestra en la figura 6.

5.3 GESTIÓN DE RESIDUOS

El producto está compuesto por piezas metálicas y plásticas. El embalaje es de madera, plástico y cartón. Para cualquier pieza de su aparato, por favor, tenga en cuenta que:

- Al final del ciclo de vida del producto, asegúrese de que no se deshecha en el medio ambiente.
- Cada parte debe estar recogido y desechado por separado, de acuerdo con sus diferentes
- características (por ejemplo, metales, plásticos, caucho, etc)
- Se tendrá en cuenta la legislación local prevista para la recogida de residuos.
- El aparato puede contener sustancias peligrosas: el uso inadecuado o la eliminación incorrecta
- puede tener efectos negativos sobre la salud humana y sobre el medio ambiente.
- En caso de un desecho ilegal de los residuos eléctricos y electrónicos, están previstas sanciones establecidas por la legislación local.

6 TABLA DE RESOLUCIÓN DE PROBLEMAS

6.1 TABLA DE RESOLUCIÓN DE PROBLEMAS

El motor eléctrico del aparato lleva incorporado un protector térmico que se dispara en caso de sobre-intensidad o falta de corriente. Cuando este protector actúa es necesario desconectar el aparato para evitar averías.

Vuelva a conectar el aparato al cabo de una hora y avise a su servicio técnico en caso de que el problema persista.

Algunos problemas se deben a causas que se eliminan fácilmente sin necesidad de avisar al servicio técnico. Lea el cuadro adjunto atentamente:

Problema	Solución
El aparato no funciona	Verifique que el aparato está debidamente conectado a la toma de corriente y el cuadro de control y que no ha saltado el limitador automático de potencia.
Enfría poco	Revise la regulación del termostato y/o la incidencia de fuentes directas de calor y corrientes de aire sobre la cuba. Asegúrese de que el condensador de la unidad frigorífica está totalmente limpio

Ruido excesivo cuando está en funcionamiento	Deberá comprobar el buen nivelado del aparato. Revise los sistemas de anclaje de los elementos del aparato que hayan podido desplazarse o aflojarse.
El evaporador está bloqueado de hielo y el aparato enfría poco	Fuerce un desescarche y en caso de que la incidencia persista, póngase en contacto con su distribuidor o con su Servicio de Asistencia Técnica.
Todos los controles básicos se han llevado a cabo y el problema permanece	Póngase en contacto con su distribuidor o con su Servicio de Asistencia Técnica.

1 INDICE

1	INDICE.....	29
2	INTRODUCTION.....	30
2.1	INTRODUCTION.....	30
2.2	INFORMATION DE SÉCURITÉ.....	30
2.3	SPÉCIFICATIONS TECHNIQUES.....	30
3	INSTALLATION.....	31
3.1	INFORMATION GÉNÉRAL.....	31
3.2	TRANSPORT, DÉBALLAGE, MANIPULATION.....	31
3.3	RESTRICTION D'USAGE.....	31
3.4	ÉTIQUETTES TECHNIQUES INDUSTRIELLES.....	31
3.5	INSTALLATION ET MONTAGE.....	32
3.6	BRANCHEMENTS (ÉLECTRICITÉ, EAU).....	32
4	FONCTIONNEMENT.....	33
4.1	INFORMATION GÉNÉRAL.....	33
4.2	DESCRIPTION DE TABLEAU DE CONTRÔLE.....	33
4.3	PROGRAMMATION.....	35
5	ENTRETIEN.....	35
5.1	RÈGLEMENT DE SÉCURITÉ.....	35
5.2	CONSERVATION ET ENTRETIEN ROUTINIER.....	35
5.3	TRAITEMENT DES DÉCHETS.....	36
6	RÉSOLUTION DE PROBLÈMES.....	36
6.1	TABLEAU DE RÉOLUTION DE PROBLÈMES.....	36

2 INTRODUCTION

2.1 INTRODUCTION

Cet élément d'exposition et de libre-service a été conçu pour être encastré dans un buffet de self-service, et pour conserver les aliments froids dans les meilleures conditions de température tout au long de la durée du service. Ces conditions dépendent aussi de la température initiale des produits au moment de leur exposition et des conditions ambiantes de la pièce. Cet élément technique ne sert en aucun cas à réfrigérer les aliments.

Les dimensions des cuves sont équivalentes à 2, 3, 4, 5 et 6 Gastronorm 1/1. Elles peuvent accueillir des récipients Gastronorm de jusqu'à 100 mm de profondeur. Si l'on n'utilise pas ces récipients, les produits peuvent également être exposés sur les étagères intérieures de la cuve, réglables en hauteur.

L'armoire technique située dans la partie du bas accueille le tableau électrique, le thermostat de réglage et l'unité de condensation.

2.2 INFORMATION DE SÉCURITÉ

L'installation sur place et la mise en service de ce meuble doivent être réalisées par un technicien qualifié. Les paramètres usine et les données techniques sont fournis à titre non contractuel et peuvent être modifiés sans préavis.

L'appareil doit uniquement être réparé par un personnel qualifié. Avant toute manipulation, veuillez informer votre distributeur.

Si vous prévoyez de ne pas utiliser le meuble pendant une période prolongée, videz-le, nettoyez-le et débranchez-le du secteur.

La température ambiante et l'emplacement de l'appareil peuvent avoir des effets sur les températures de travail.

Tenez l'appareil à l'écart de sources externes qui pourraient en affecter le rendement (chauffage, sources de chaleur directes, courants d'air ou semblables).

La température ambiante adéquate est comprise entre +16°C et +30°C.

Si la température du local est supérieure à 32 °C, le rendement nécessaire à une bonne réfrigération n'est pas garanti.

L'ensemble de l'appareil est construit avec des tôles en acier inoxydable. En raison de sa conception et de sa fabrication avec de fines tôles, il existe donc des risques de coupure. Prenez des précautions lorsque vous les manipulez et nettoyez.

L'intérieur de l'armoire technique, qui accueille l'unité de condensation, présente des risques intrinsèques tels que le risque électrique, de coupure, de coincement, de brûlure et lié rotor en mouvement (ventilateur).

- N'introduisez jamais d'aliments ou de récipients chauds.
- Respectez les recommandations des fabricants d'aliments.
- Laissez toujours l'armoire technique fermée.
- Ne permettez en aucun cas que des enfants manipulent l'appareil.
- Ne renversez aucun liquide dans la cuve.

2.3 SPÉCIFICATIONS TECHNIQUES

Pour connaître les informations techniques détaillées de votre appareil, consultez la Table 1.

3 INSTALLATION

3.1 INFORMATION GÉNÉRAL

Vous trouverez les instructions d'utilisation du thermostat numérique avec ce manuel. LA MANIPULATION DU THERMOSTAT PAR UN PERSONNEL NON QUALIFIÉ N'EST TOUTEFOIS PAS RECOMMANDÉE. VEUILLEZ CONTACTER VOTRE DISTRIBUTEUR POUR QU'IL RÉALISE LES RÉGLAGES NÉCESSAIRES.

3.2 TRANSPORT, DÉBALLAGE, MANIPULATION

Le meuble et son emballage en bois constituent une marchandise lourde. Faites attention lors des opérations de transport, de manipulation et de mise en place.

Lors de la réception du meuble, assurez-vous qu'il n'a subi aucun dommage durant le transport. Sinon, effectuez les réclamations correspondantes à votre distributeur.

Une fois que le meuble a été accepté il est préférable de le garder emballé jusqu'à sa mise en service, afin de le protéger de possibles coups mécaniques, de la poussière, de la saleté, etc...

L'emballage est composé d'une palette en bois, d'un film protecteur en plastique et de pièces d'angles en bois / carton. Tous les matériaux sont recyclables.

Pour réaliser les opérations de levage et de manipulation correctement et en toute sécurité : Organiser une zone adéquate avec un sol plane pour les opérations de déchargement de la machine et de manipulation.

Utiliser le type d'équipement le plus approprié pour les caractéristiques et la capacité.

Assurez-vous que la charge est stable pour manipuler le meuble, en le maintenant à une hauteur minimale depuis le sol.

La garantie porte uniquement sur les défauts de fabrication, toute manipulation ou utilisation erronée du matériel de la part du client ou de l'utilisateur étant exclue. Le service de main d'œuvre et les déplacements sont toujours à la charge du client. Toute responsabilité concernant les défauts liés au transport est déclinée, sauf si la réclamation opportune est réalisée dans un délai maximum de 24 heures à compter de la réception de la marchandise.

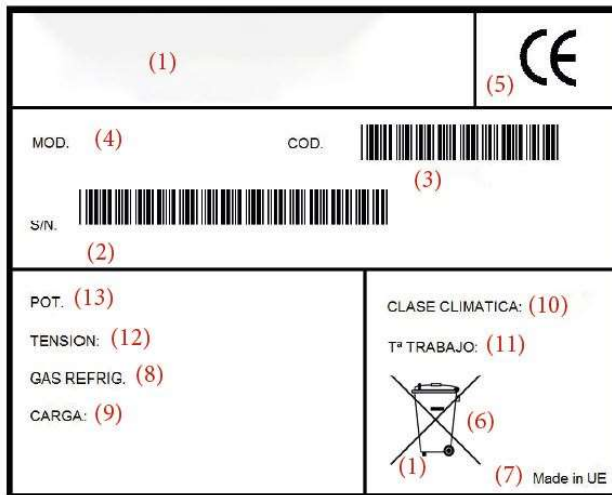
3.3 RESTRICTION D'USAGE

Veillez à ce que la tension et la fréquence du secteur correspondent aux indications de la plaque signalétique. L'installation électrique auquel est raccordé l'appareil doit impérativement être dotée d'une prise de terre et disposer d'une protection magnétothermique et différentielle. Ne branchez pas d'autres appareils pour les alimenter avec le même raccordement électrique.

Le fabricant décline toute responsabilité pour l'usage inapproprié du produit.

Pour avoir une température optimale des produits stockés, il est nécessaire de ne laisser aucun contenant vide dans la machine d'où la chaleur peut s'échapper.

3.4 ÉTIQUETTES TECHNIQUES INDUSTRIELLES



Étiquette technique industrielle :

1. Marque
2. Nombre de série (code+ année+ nombre de série)
3. Code
4. Modèle
5. CE symbole
6. Symbole d'élimination des déchets
7. Manufacturing site
8. Gaz réfrigérant
9. Charge de gaz (gr)
10. Classe climatique
11. Temperature de travail
12. Voltage
13. Consommation d'énergie

3.5 INSTALLATION ET MONTAGE

Évitez d'installer l'appareil à proximité des sources directes de chaleur, de froid, d'humidité ou dans un endroit exposé aux rayons solaires et ultraviolets. Les radiateurs de tout type, l'air conditionné, les courants d'air etc. peuvent avoir des effets négatifs sur son fonctionnement. Vérifiez le bon nivellement du sol afin d'éviter les vibrations et les bruits.

Assurez-vous que l'appareil dispose d'une bonne ventilation. Ne bloquez pas les grilles de ventilation de l'unité de condensation.

Suivez les instructions de la figure 1-2 pour monter le produit dans l'emplacement sélectionné et effectuer les connexions appropriées.

3.6 BRANCHEMENTS (ÉLECTRICITÉ, EAU)

Une fois la plaque ou la cuve encastrée dans l'orifice du meuble destiné à cette fin, la fixation s'effectue grâce aux éléments d'ancrage fournis, comme indiqué sur la figure 3.



L'unité condensatrice doit être bien ventilée pour un fonctionnement adéquat de la machine. Vérifier dans la figure 7 pour dessiner la grille de ventilation du meuble ou la machine est installé.

En cas de besoin, le boîtier de commandes situé dans la partie basse de l'appareil peut facilement être déplacé sur le côté de l'armoire technique (par exemple, lorsque l'accès avant de l'appareil est fermé en raison des caractéristiques constructives du meuble qui l'accueille). On peut également l'extraire de l'armoire technique pour l'installer sur n'importe quel panneau (par exemple, devant le buffet pour pouvoir actionner et régler l'appareil sans avoir à ouvrir une porte).

En même temps, le panneau de commande peut être assemblé dans d'autres meubles, à cet effet, le trou décrit à la figure 5 doit être fait dans le panneau.

Le système d'évacuation inférieur de la cuve réfrigérée recueille les liquides éventuellement déversés par accident, ainsi que les eaux de dégivrage de l'évaporateur, dont la quantité peut parfois être considérable, en fonction du climat et des conditions du local. Il est par conséquent indispensable de raccorder cette évacuation au réseau. Cet appareil ne dispose pas de bac de récupération et d'évaporation automatique des eaux.

GRUPE RÉFRIGÉRÉE À DISTANCE OPTIONEL

Les attentes frigorifiques sont par tuyau de cuivre de 3/8", pour les raccords de haute pression (fluide) et de basse pression (gaz), pour la plupart des équipements, "sauf" les vitrines de 5 et 6GN1/1, qui auront les tuyaux d'haute pression en tuyau de 3/8" et de basse pression en 1/2". Des éléments non fournis sont la valve d'expansion thermostatique, le tube capillaire, valve solénoïde et valve de coupure.

La prise de connexion électrique pour la valve solénoïde ou le groupe frigorifique, est facilitée par bornes de connexion, placées en la boîte de raccords pour une puissance maximale du compresseur de 1 1/2". Pour puissances supérieures c'est nécessaire l'installation d'un relais ou contacteur, ces éléments ne seront pas fournis.

GRUPE RÉFRIGÉRÉE À DISTANCE OPTIONEL

Les attentes frigorifiques sont par tuyau de cuivre de 3/8", pour les raccords de haute pression (fluide) et de basse pression (gaz), pour la plupart des équipements. Des éléments non fournis sont la valve d'expansion thermostatique, le tube capillaire, valve solénoïde et valve de coupure.

La prise de connexion électrique pour la valve solénoïde ou le groupe frigorifique, est facilitée par bornes de connexion, placées en la boîte de raccords pour une puissance maximale du compresseur de 1 1/2". Pour puissances supérieures c'est nécessaire l'installation d'un relais ou contacteur, ces éléments ne seront pas fournis.

4 FONCTIONNEMENT

4.1 INFORMATION GÉNÉRAL

Cet appareil réalise des dégivrages automatiques pour éliminer le givre se formant au niveau de l'évaporateur. Une légère variation de la programmation par défaut de ces dégivrages peut parfois être nécessaire, en raison des caractéristiques climatiques et/ou des conditions ambiantes du local.

Si vous observez une accumulation excessive de givre dans l'évaporateur ou un rendement frigorifique défaillant de l'appareil, veuillez informer votre distributeur afin qu'il détermine s'il est nécessaire de modifier la programmation des dégivrages.

Reportez-vous à la figure 8 pour le clavier du thermostat.

4.2 DESCRIPTION DE TABLEAU DE CONTRÔLE

- 1- Display
- 2- On-Off bouton (à l'exception de l'éclairage)
- 3- Set
- 4- Fonction ECO
- 5- On-Off éclairage
- 6- Programmation et désamorçage du de son//alarme
- 7- UP ▲
- 8- DOWN ▼ dégivrage manuel (seulement en réfrigération)

L'allumage et l'extinction de l'appareil est réalisé au moyen du bouton de mise en fonctionnement intégré dans le thermostat (fig. 8) en appuyant sur le bouton d'ON/OFF (2) durant 5 secondes. Pour des interventions de maintenance, couper la tension électrique pour ne pas abîmer le système, s'elle s'éteint, l'appareil reste dans stand-by. Dans les éléments frigorifiques il y a un retard de 3 minutes. Ce retard est la protection programmée par défaut, elle ne devrait pas être modifiée par l'utilisateur.

La régulation est réalisée au moyen d'un thermostat électronique de lecture digitale, en permettant d'ajuster les températures de travail de l'appareil :

Après avoir appuyé sur le bouton SET (3) durant 1 seconde, le point de consigne s'active pour arriver à la valeur désirée de température qui est visualisée dans le Display (1). Pour cela, appuyer sur les curseurs (8 ou 9) ▲ ▼ jusqu'à atteindre la température désirée. Une fois atteinte, maintenir appuyé le commando SET (3) pendant 1 seconde, pour fixer la valeur acquise.

Il est possible d'activer la modalité ECO (5) d'économies d'énergie en appuyant sur cette touche pendant 3 secondes. Après l'avoir activée le mot ECO apparaîtra dans le display (1). Pour revenir à l'état normal, on doit réaliser le même exercice. De cette forme le mot NOR apparaîtra dans le display.

Il est possible d'activer ou de désactiver la sortie de lumière en appuyant sur le commando LUMIÈRE (6) pendant 1 seconde. Pour accéder au programme de sons et alarmes (7), maintenir en appuyant sur ce commando durant plus de 5 secondes. Il apparaîtra dans le display (1), le menu de configuration de paramètres fréquents (F) ou en cas des alarmes, elle étouffe l'alarme acoustique, en désactivant le relais alarme.

En appuyant simultanément sur ce commando (7) et le commando ▲ (8) pendant plus de 5 seconds(secondes), on procède à rétablir tous les alarmes.

En appuyant simultanément sur ce commando (7) et le commando SET (3) durant plus de 5 seconds(secondes), on accède au menu la configuration de paramètres (C).

Pour modifier les paramètres C ou F une fois à l'intérieur du menu choisi, on peut nous déplacer par les paramètres avec les curseurs ▲ (8) y ▼ (9) jusqu'à atteindre le paramètre à modifier ou bien depuis la touche de sons et alarmes (7) qui permet de visualiser le menu complet pour atteindre la catégorie plus rapidement. En appuyant sur le bouton SET (3) se sélectionne la catégorie ou le paramètre à modifier et ils sont modifiés au moyen de ▲ (8) y ▼ (9)). Quand tous les paramètres désirés sont modifiés, ils peuvent être mémorisés en appuyant sur le commando de sons et alarmes (7) pendant plus de 5 secondes. Si rien n'est appuyé dans 60 secondes, on sort du menu Co F en perdant les données qui ne se sont pas gardées.

En appuyant sur le commande UP ▲ (8) et le commando SET (3) simultanément pendant plus de 5 secondes, s'active l'impression du rapport.

Pour activer ou désactiver le dégivrage manuel, on doit appuyer sur le commando DOWN ▼ (9) pendant plus de 5 secondes

PARAMETRES BASIQUES MODIFIABLES PAR L'UTILISATEUR.

“Pro”

Pw (Password) : Valeur par défaut 22.

/5 (Sélection °C o °F) : Valeur par défaut °C.

“CtL”

St (Point de consigne) : Valeur par défaut selon modèle. Modifier si nécessaire.

“dEF”

dp1 (Durée du dégivrage): Augmenter si nécessaire.

d/3 (Visualisation sonde condensateur): Seulement réfrigération.

“ALM”

AL (Activation alarme baisse température) : Valeur par défaut 0 (désactivé).

AH (Activation alarme haute température) : Valeur par défaut 0 (désactivé).

Cod.	Paramètre	Modèles	U.M.	Type	Min	Max	Déf.
AL	Seuil alarme de basse température	MSYF	°C/°F	F	-50	200	0.0
AH	Seuil alarme haute température	MSYF	°C/°F	F	-50	200	0.0

“CnF”

H2 (Désactivation clavier) : Valeur par défaut 1.

Invalidation clavier/ir										
Parametro "H2"	LUCE	ON/OFF	AUX	HACCP	PRG/MUTE (mute)	UP/CC	DOWN/DEF	SET	Modifica parametri F	Modifica set point
0									•	•
1										
2									•	•
3										•
4	•					•	•		•	
5	•					•	•		•	•
6						•	•		•	•

Funzionalità tastiera "•" = Disabilitati

4.3 PROGRAMMATION

RÉFRIGÉRATION:

La cuve est équipée d'un évaporateur ventilé auquel on peut facilement accéder pour le nettoyage et les réparations éventuelles, en rabattant les couvercles pivotants qui le recouvrent. L'unité de condensation est principalement constituée d'un compresseur hermétique et d'un condensateur à air.

Le circuit frigorifique utilise du gaz spécifié dans le Tableau 1, avec une pression de travail compris entre 2.4 et 3.2 bar environ dépendant du modèle. L'expansion du gaz à l'entrée de l'évaporateur s'effectue à travers un tube capillaire.

TEMPÉRATURES DE TRAVAIL RECOMMANDÉES : Voir Tableau 1.

Vous trouverez les instructions d'utilisation du thermostat numérique avec ce manuel. LA MANIPULATION DU THERMOSTAT PAR UN PERSONNEL NON QUALIFIÉ N'EST TOUTEFOIS PAS RECOMMANDÉE. VEUILLEZ CONTACTER VOTRE DISTRIBUTEUR POUR QU'IL RÉALISE LES RÉGLAGES NÉCESSAIRES.

5 ENTRETIEN

5.1 RÈGLEMENT DE SÉCURITÉ

Éliminez le plastique de protection et les résidus adhésifs qui recouvrent l'acier.

Nettoyer soigneusement avant d'utiliser en suivant les instructions spécifiques qui sont détaillées plus loin dans ce manuel. Avant de réaliser toute opération sur la machine, consultez toujours le manuel qui contient les bonnes procédures et des informations importantes sur la sécurité.

Pour une meilleure conservation de l'appareil il est important qu'il reste vide et propre pendant les périodes où il n'est pas en service.

5.2 CONSERVATION ET ENTRETIEN ROUTINIER

L'ENTRETIEN TECHNIQUE DOIT ÊTRE RÉALISÉ PAR LE SERVICE D'ASSISTANCE TECHNIQUE DE VOTRE DISTRIBUTEUR.

CONSEILS DE NETTOYAGE

- Pour réaliser les opérations de nettoyage de l'appareil, il est recommandé de le débrancher au préalable du secteur. Évitez les projections d'eau sur les composants électriques.

- Pour nettoyer l'acier inoxydable, utilisez une éponge ou une lavette avec de l'eau tiède et du savon neutre. N'utilisez pas de produits abrasifs, de solvants, de nettoyants de métaux ou de détergents non dilués. Séchez ensuite avec un chiffon.
- Il est très important de maintenir le groupe frigorifique propre, en particulier le condensateur, afin d'en optimiser le fonctionnement et de réduire la consommation d'énergie électrique. Utilisez pour ce faire des brosses à poils souples ou un aspirateur.

L'accès aux parties électriques de l'appareil se fait au moyen d'une unité de condensation amovible, comme le montre la figure 6.

5.3 TRAITEMENT DES DÉCHETS

Le produit est composé de pièces métalliques et plastiques. L'emballage est en bois, plastique et carton.

Pour n'importe quelle pièce de votre appareil, veuillez tenir compte que :

- À la fin du cycle de vie du produit, assurez-vous que celui-ci n'est pas jeté dans l'environnement.
- Chaque partie doit être collectée et jetée séparément, conformément à leurs différentes
- Caractéristiques (par exemple, métaux, plastiques, caoutchouc, etc.)
- Il faudra tenir compte de la législation locale pour la collecte des déchets.
- L'appareil peut contenir des substances dangereuses : l'utilisation inadéquate ou l'élimination incorrecte peut avoir des effets négatifs sur la santé humaine et sur l'environnement.
- Si des déchets électriques et électroniques sont jetés illégalement, des sanctions établies par la législation locale sont prévues.

6 RÉOLUTION DE PROBLÈMES

6.1 TABLEAU DE RÉOLUTION DE PROBLÈMES

Le moteur électrique de l'appareil est muni d'un protecteur thermique qui se déclenche en cas de surintensité ou de coupure de courant. Lorsque ce protecteur agit, débranchez l'appareil pour éviter les pannes.

Rebranchez l'appareil au bout d'une heure et informez le service technique si le problème persiste.

Certains problèmes sont dus à des causes faciles à éliminer sans avoir à informer le service technique. Lisez attentivement le tableau suivant :

Problème	Procédure
Le meuble ne fonctionne pas.	Assurez-vous que l'appareil est bien branché à la prise de courant et au panneau de contrôle, et que le limiteur automatique de puissance ne s'est pas déclenché.
Il ne refroidit pas assez.	Contrôlez le réglage du thermostat et/ou les effets de sources directes de chaleur et de courants d'air sur la cuve. Veillez à ce que le condensateur du groupe frigorifique soit complètement propre.
Bruit excessif pendant le fonctionnement.	Vérifiez le nivellement de l'appareil. Revoquez les systèmes d'ancrage des éléments de l'appareil qui auraient pu se déplacer ou se desserrer.

L'évaporateur est bloqué par le givre et l'appareil ne refroidit pas assez.	Forcer un dégivrage, si la situation persiste contactez votre distributeur ou votre service d'assistance technique.
Vous avez effectué toutes les révisions de base et le problème persiste.	Contactez votre distributeur ou votre service d'assistance technique.