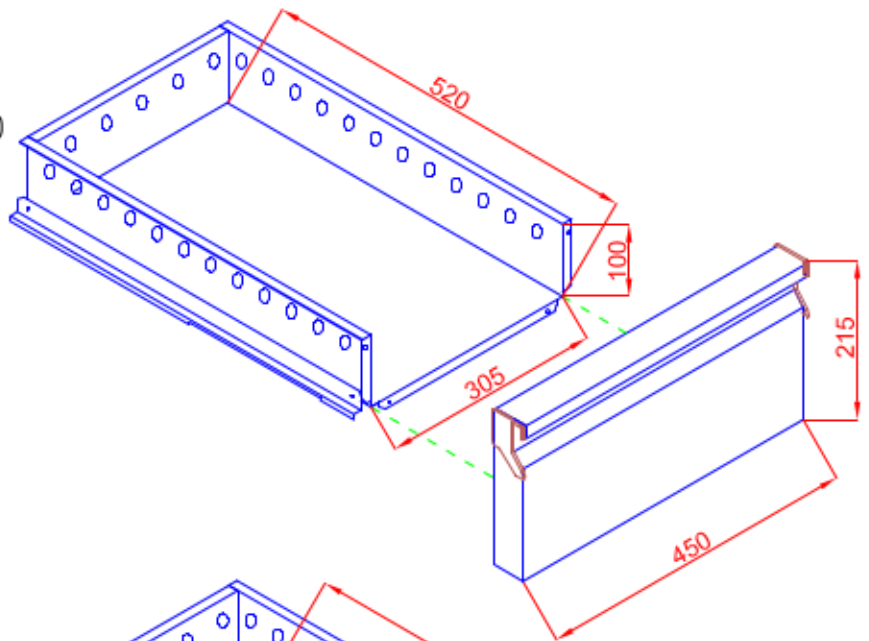


1/3 DRAWERS---CGN

OUTSIDE DIMENSIONS = 450x600x215

INSIDE DIMENSIONS = 305x520x100

USEFULL INSIDE DIMENSIONS = 305x520x120

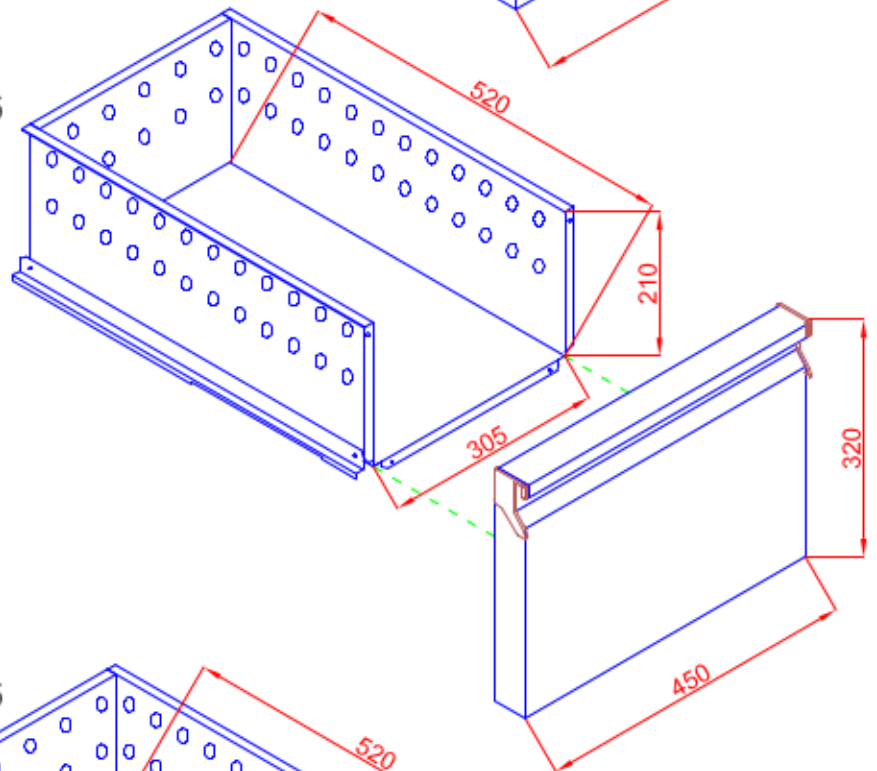


1/2 DRAWERS---CGN

OUTSIDE DIMENSIONS = 450x600x320

INSIDE DIMENSIONS = 305x520x210

USEFULL INSIDE DIMENSIONS = 305x520x235



2/3 DRAWERS---CGN

OUTSIDE DIMENSIONS = 450x600x430

INSIDE DIMENSIONS = 305x520x210

USEFULL INSIDE DIMENSIONS = 305x520x335

