



CHINESE COOKER(GAS)

INSTRUCTION AND MAINTENANCE MANUAL

DESCRIPTION

Our dear customer,

Your preferred KUSİNA is nature and technology friendly. We thank you for your choice.

KUSİNA has been produced with the understanding of "Total Quality" in modern production facilities.

Important Safety Information

Carefully read this guide and keep it for future review.

WARNING: Installation of the devices must be done by an authorized service person.

WARNING: Equipment must be grounded.



Indicates that there is a risk of personal injury or property damage.



Explosion / fire hazard.

MOUNTING INSTRUCTION

PLACEMENT

- Installation and adjustment of the device should be carried out by technical staff of the Authorized Service.
- Place the device beneath a filtered exhaust hood in order to eliminate smell and fume that may be emitted during cooking.
- Place the device at a place min. 10cm away from the side or back wall to prevent excessive temperature rises.
- Device should be placed on a flat surface by suitably balancing on the four adjustable legs. (Figure A)
- Remove the protective nylon on the device. Clean the adhesive particles left on the device with a suitable cleaner.
- Never leave flammable material near the device.




Gas Connection

- Device should be connected in accordance with the national and local gas standards of the relevant country.
- Gas inlets of the device are indicated with a label "GAS" on device body.
- Connection to the gas installation should be made with flex pipe and ball valve. Fix the said ball valve to a place that is away from heat and easily accessible in case of a danger.

- After gas inlet connection is completed, check for possible gas leakages.
- Feed the device with the gas and pressure as specified on device information plate and adjusted. If the gas type to which the device was adjusted for is not suitable to the gas type at the mounted place, follow the instructions written below.

ATTENTION: All adjustments and modifications to be performed on the gas installation and connection of the device should be performed by authorized people. Gas pressure may never exceed 21mbar for Natural gas and 30mbar for LPG.

START-UP

- Turn the main gas valve to open position.
- Turn the grill gas button (5) to lighter position  "by pushing it gently. In this position, ignite (6) the burner with lighter.
- After the burner is ignited, keep the button pressed for a few seconds (min. 10) to heat the safety thermocouple end.
- Later, you can adjust it to the desired position by turning to high flame  "or low flame"  marks indicated on button.
- If the device is operated for the first time, keep the button pressed at burner flame position for a while before ignition to discharge the air in the gas installation.

TURNING OFF

- Turn the gas button to lighter position  ". Turn to position "0" to turn off completely.

MAINTENANCE

- Never perform maintenance without closing the main gas valve of the device.
- Before it cools down completely, wipe the device with a cloth immersed in warm soapy water.
- Do not use cleaning substances and tools that may cause scratches on device surface.
- If required, use chemical cleaners.
- Do not clean the device with pressurized water or vapour.
- If the device will not be used for a long time, coat the surfaces with a thin layer of Vaseline.

ATTENTION: Any part replacement that may affect safety must be carried out by the authorized people. During maintenance and repair, keep the main gas valve closed and keep away fire. Always perform leakage check after repair or part replacement; use foam or gas detector for this aim. In case of any dangerous condition with the device, notify to the authorized service. Do not allow unauthorized people to interfere in the device.

DANGEROUS: Never allow leakage check to be performed with flame.

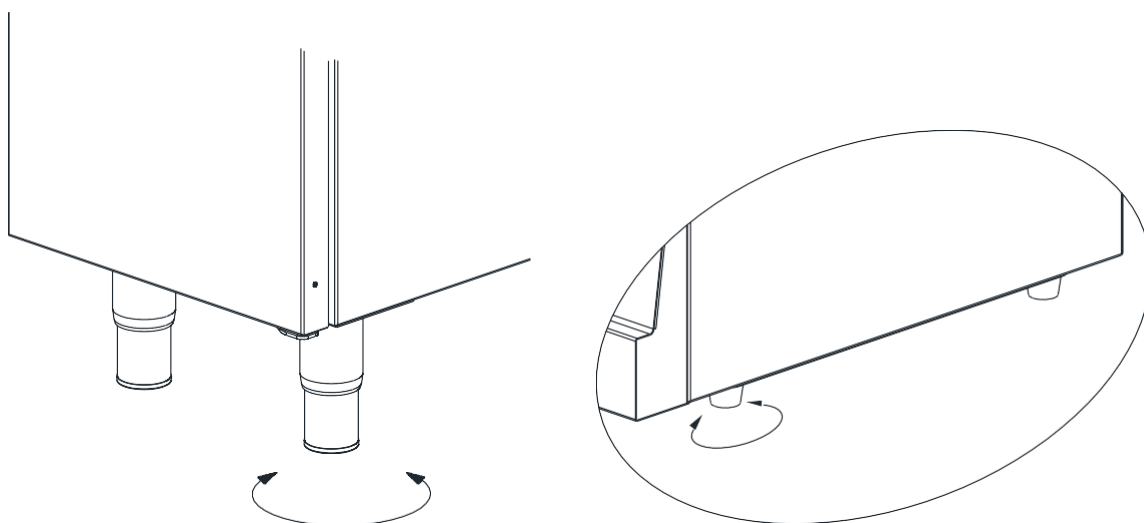


Figure A

Compatibility Information

This device is designed and manufactured in accordance with the following directives and standards.

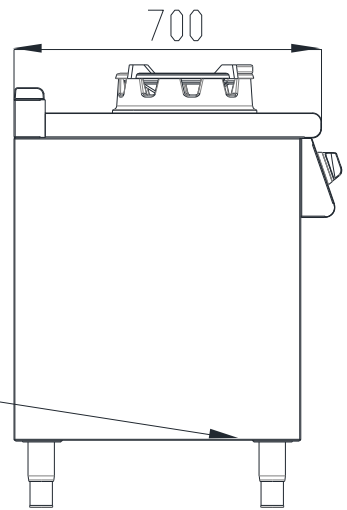
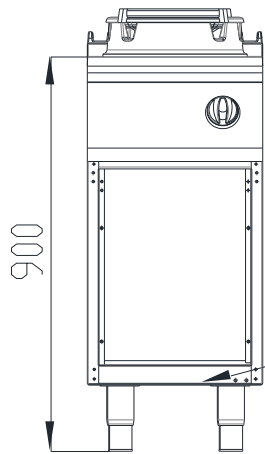
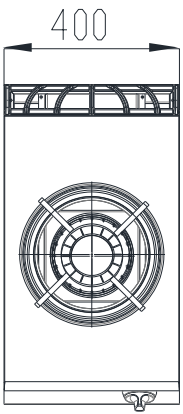
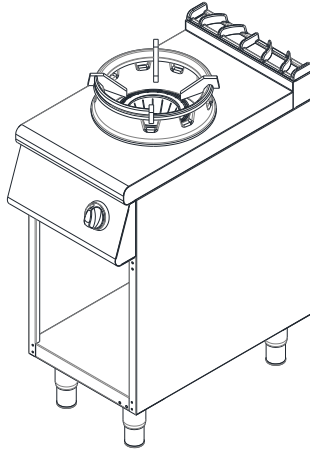
CE marking directive, 93/68/EEC

TS EN 203-1 / Gas Powered Cooking Appliances – Part 1: General Safety Appliances

TS EN 203-2-1 Gas Fired Catering Equipments - Part 2-1: Specifications – Open-tops

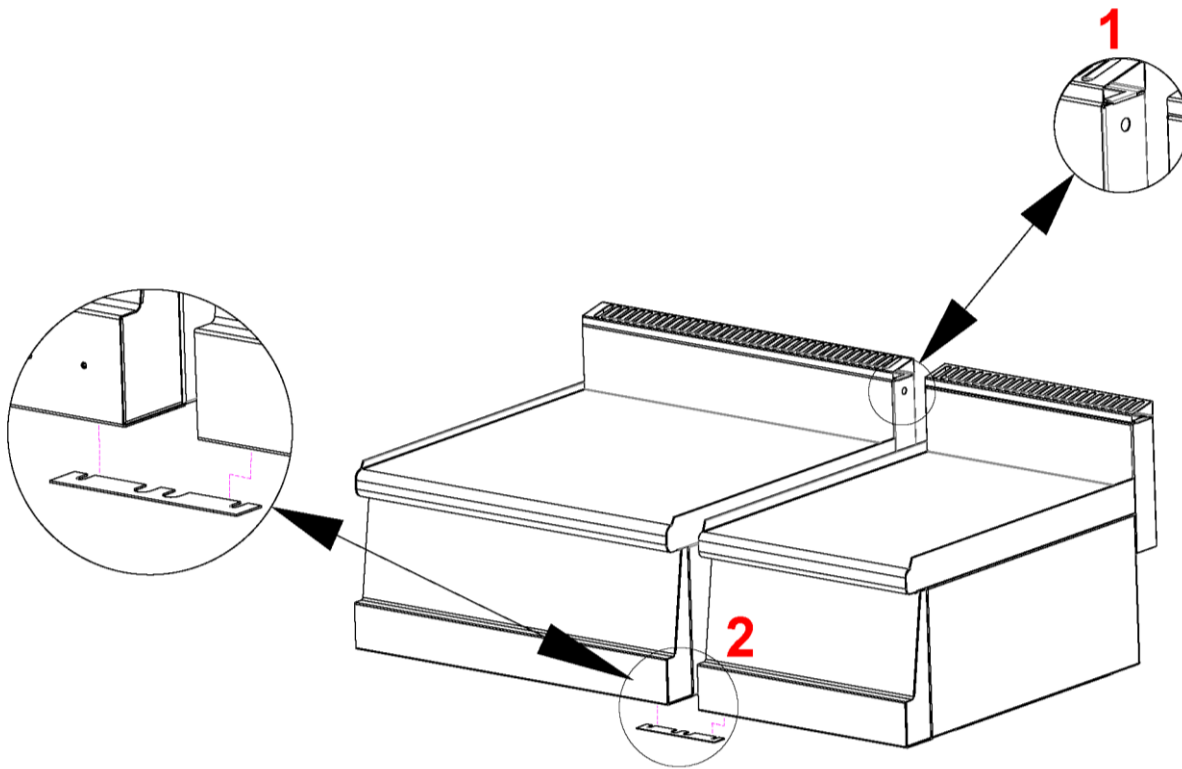
TS EN 437+A1

- **Limitation of Liability:** All technical information contained in this manual, operating instructions, operation and maintenance of the device, contains the latest information on your device. The manufacturer accepts no responsibility for damage or injury which may result from failure to follow the instructions in this manual, use outside of the intended use, unauthorized repair, unauthorized modifications to the device, or use of spare parts not approved by the manufacturer.

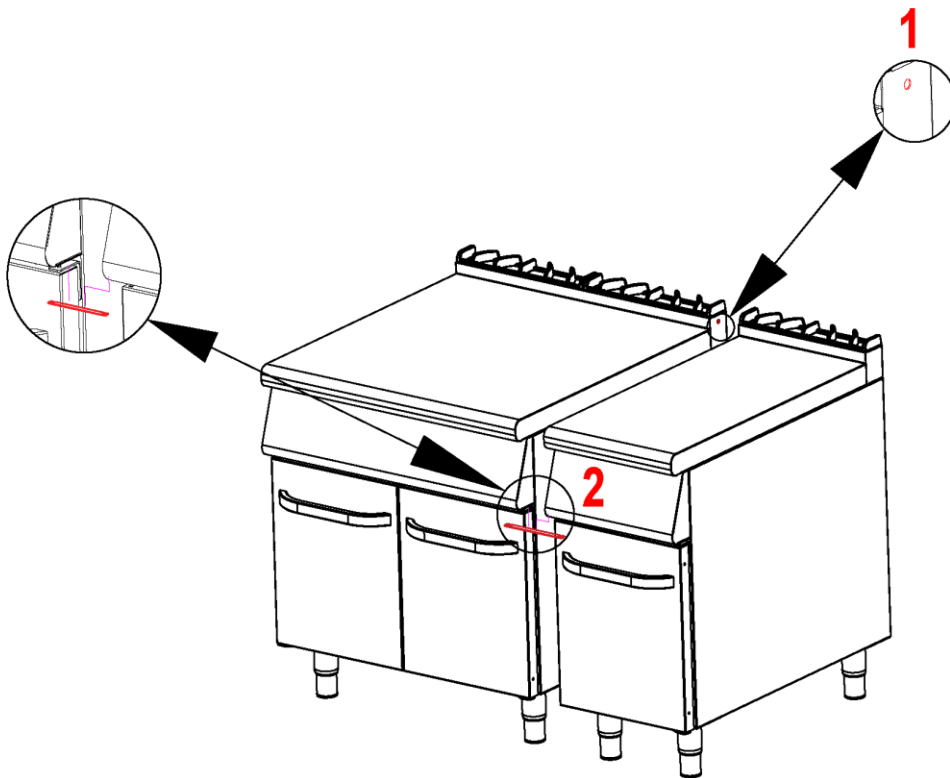


7178.0440

600 Series Device Fixing Scheme



700 Series Device Fixing Scheme





CORRECTIVE\PREVENTIVEACTIVEFORM

DETECTION TYPE

OPTIMIZATION REQUEST/ DESCRIPTION	CUSTOMER NAME	CUSTOMER COMPLAINT	
PRODUCT NAME:		DETECTED(Name,Appellation)	
DATE:		SIGN:	

PROBLEM DESCRIPTION:

SOLUTION PROPOSAL:

EVALUATION:	<u>APPROVERS</u>

Note: If required, you can send it to our company by viewing the form above or by post.