



Spare part information

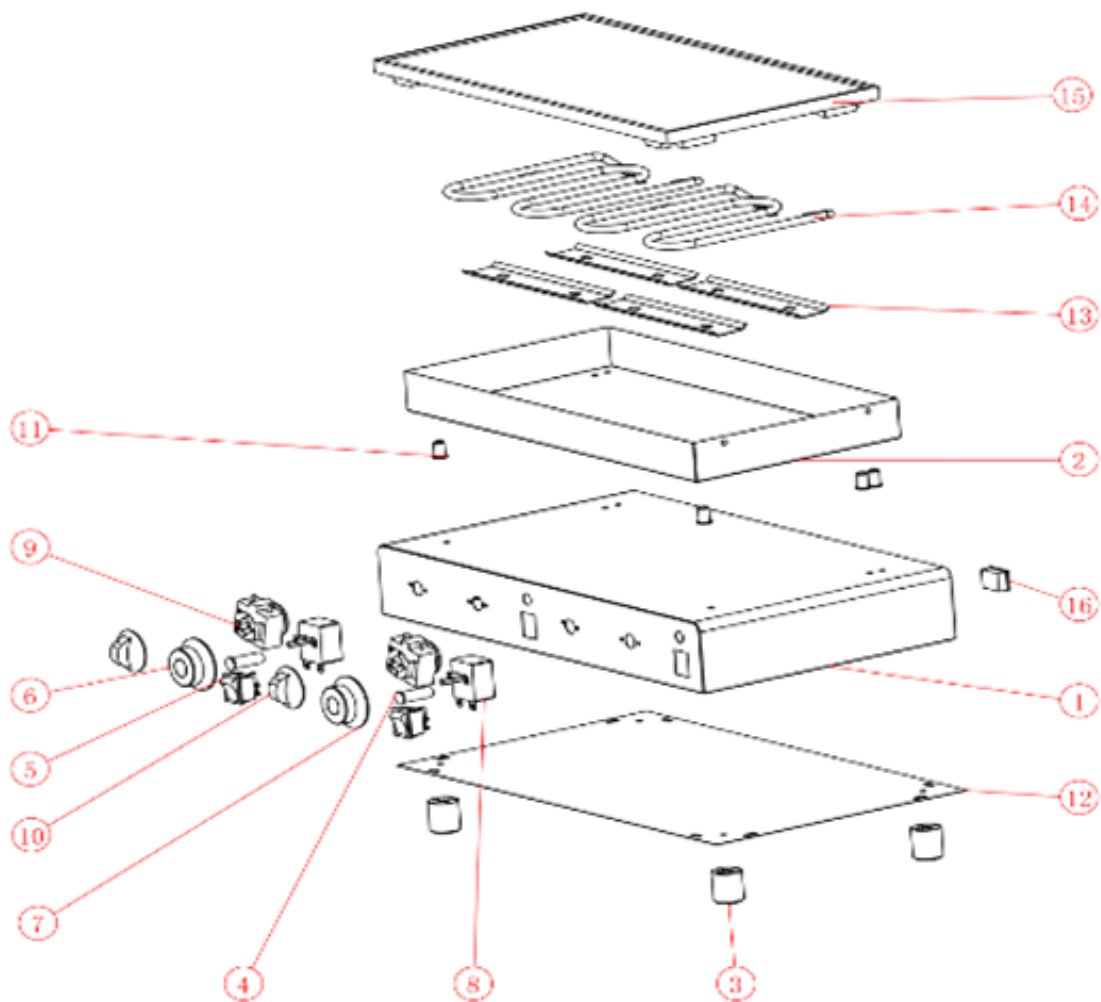
7540.0010



CombiSteel

7540.0010







Spare part list 7540.0010

POS:	Art.No.:	Omschrijving:	Aantal:
1	**	Base	1
2	**	Cover	1
3	CS9331.1812	Foot	4
4	CS9331.1802	Indicator	2
5	CS9331.1804	Switch	2
6/7/8	CS9331.1806	Thermostat	2
9/10	CS9331.1808	Timer	2
11	**	Support column	6
12	**	Base	1
13	**	Heating tube pressure plate	4
14	CS9331.1810	Heating tube	2
15	**	mold	1
16	**	Flange Mount Socket	1
.		## = Parts cannot be ordered separately.	
.		** = No article number known, must be requested specifically.	



7540.0010

Combisteel BV

Lichtschip 63
3991CP Houten
The Netherlands

+31 (0)30 285 00 90
info@combisteel.com
www.combisteel.com