



## Gas Grill

7455.0900 – 7455.0905 – 7455.0910 – 7455.0915

User Manual

Gebruikershandleiding

Gebrauchsanweisung

Le mode d'emploi



# CONTENT

## ENGLISH

|   |  |    |
|---|--|----|
| 1 | INSTALLATION AND OPERATION MANUAL..... | 3  |
| 2 | INTRODUCTION.....                      | 5  |
| 3 | GENERAL INFORMATION.....               | 6  |
| 4 | SPECIFICATIONS.....                    | 7  |
| 5 | OPERATING INSTRUCTIONS.....            | 9  |
| 6 | OPERATOR MAINTENANCE.....              | 11 |
| 7 | SERVICE.....                           | 13 |
| 8 | TROUBLE SHOOTING.....                  | 15 |

## NEDERLANDS

|   |  |    |
|---|--|----|
| 1 | INSTALLATIE- EN GEBRUIKERSHANDLEIDING..... | 16 |
| 2 | INTRODUCTIE.....                           | 18 |
| 3 | ALGEMENE INFORMATIE.....                   | 19 |
| 4 | SPECIFICATIES.....                         | 20 |
| 5 | GEBRUIKSINSTRUCTIES.....                   | 22 |
| 6 | BEDIENINGSONDERHOUD.....                   | 24 |
| 7 | SERVICE.....                               | 26 |
| 8 | OPLOSSEN PROBLEMEN.....                    | 28 |

## DEUTSCH

|   |   |    |
|---|---|----|
| 1 | INSTALLATIONS- UND BEDIENUNGSANLEITUNG..... | 29 |
| 2 | EINLEITUNG.....                             | 31 |
| 3 | ALLGEMEINE INFORMATIONEN.....               | 32 |
| 4 | SPEZIFIZIERUNGEN.....                       | 33 |
| 5 | BEDIENUNGSANWEISUNGEN.....                  | 35 |
| 6 | PFLEGE.....                                 | 37 |
| 7 | WARTUNG.....                                | 39 |
| 8 | PROBLEMBEHANDLUNG.....                      | 41 |

## FRANÇAIS

|   |   |    |
|---|---|----|
| 1 | MANUEL D'INSTALLATION ET D'UTILISATION..... | 42 |
| 2 | INTRODUCTION.....                           | 44 |
| 3 | INFORMATION GENERALE.....                   | 45 |
| 4 | SPECIFICATIONS.....                         | 46 |
| 5 | INSTRUCTIONS DE FONCTIONNEMENT.....         | 48 |
| 6 | OPÉRATEUR DE MAINTENANCE.....               | 50 |
| 7 | SERVICE.....                                | 52 |
| 8 | DÉPANNAGE.....                              | 54 |

|  |                                    |    |
|--|------------------------------------|----|
|  | EXPLODED VIEW (7455.0905).....     | 55 |
|  | BILL OF MATERIAL OF 7455.0905..... | 56 |
|  | EXPLODED VIEW (7455.0915).....     | 57 |
|  | BILL OF MATERIAL OF 7455.0915..... | 58 |
|  | EXPLODED VIEW (7455.0900).....     | 59 |
|  | BILL OF MATERIAL OF 7455.0900..... | 60 |
|  | EXPLODED VIEW (7455.0910).....     | 61 |
|  | BILL OF MATERIAL OF 7455.0910..... | 62 |

# 1 INSTALLATION AND OPERATION MANUAL

---

## WARNINGS



IMPROPER INSTALLATION, ADJUSTMENT, ALTERATION, SERVICE OR MAINTENANCE CAN CAUSE INJURY OR DEATH. THE INSTRUCTION MANUAL MUST BE READ CAREFULLY BEFORE INSTALLING, OPERATING OR SERVICING THIS EQUIPMENT



TO BE INSTALLED ONLY BY AN AUTHORISED PERSON IN ACCORDANCE WITH AS 5601, LOCAL AUTHORITY, GAS, ELECTRICITY, ANY APPLICABLE STATUTORY REGULATIONS AND MANUFACTURER REQUIREMENTS.



POST IN A PROMINENT LOCATION INSTRUCTIONS TO BE FOLLOWED IN THE EVENT THE USER SMELLS GAS. THIS INFORMATION SHALL BE OBTAINED BY CONSULTING THE LOCAL GAS SUPPLIER.



FOR YOUR SAFETY DO NOT STORE OR USE GASOLINE OR OTHER FLAMMABLE VAPORS OR LIQUIDS IN THE VICINITY OF THIS OR ANY OTHER APPLIANCE



THIS EQUIPMENT IS DESIGNED FOR COMMERCIAL CATERING PURPOSES AND WILL GENERATE SIGNIFICANT HEAT. HOT SURFACES WILL CAUSE BURNS. A HAZARD AND RISK ASSESSMENT MUST BE UNDERTAKEN BY OWNERS AND ALL OPERATORS MADE AWARE OF THESE.



DO NOT STORE OR USE FLAMMABLE LIQUIDS NEAR THIS APPLIANCE.



DO NOT SPRAY AEROSOLS NEAR THIS APPLIANCE WHILE IT IS IN OPERATION.



INSTALLATION CLEARANCES AS SPECIFIED MUST BE OBSERVED.



IF YOU SMELL GAS, TURN THE UNIT OFF AND THE MAIN GAS SUPPLY VALVE TO THE UNIT. CONTACT YOUR GAS SUPPLIER OR AN AUTHORISED PERSON.



BEFORE TURNING ON THE MAIN GAS SUPPLY, CHECK THE UNIT TO BE CERTAIN THAT ALL THE VALVES ARE IN THE "OFF" POSITION.

**PLEASE KEEP THIS MANUAL FOR FUTURE REFERENCE BY ALL OPERATORS.**

## 2 INTRODUCTION

---

Thank you for choosing this product and welcome you to the ever-growing customer circle. This product has been specifically designed to meet a wide range of applications and represents the best quality and highest value equipment.

Please read the instruction manual carefully to ensure the safe and reliable operation and performance of your equipment.

Should you ever require service, you will be supported by trained and qualified service network – the largest available.

We assure you of every support and wish you every business success.

### 2.1 GENERAL

The range is designed for commercial catering purposes and incorporates a wide range of design features.

### 2.2 WARRANTY

This product is subject to the correct installation, operation, maintenance and care of the equipment.

Warranty does not extend to:

- Damages caused in shipment
- Damage as a result of incorrect installation.
- Damage as a result of incorrect operation
- Damages caused by unauthorised service and use of non-original parts
- Gas supply issues to the equipment
- Failure resulting from improper maintenance.
- Failure as a result of tampering with, removal of, or changing any pre-set control or safety device
- Service 'After hours'
- Conditions as defined in dealer's terms and condition of sale

**Please ensure you quote the Model and Serial Number of the unit.**

## 3 GENERAL INFORMATION

---

### 3.1 INSPECTION

Please inspect the unit on receipt. If the unit is damaged, contact the carrier immediately and file a damage claim with them. Save all packing materials when filing a claim. Freight damage claims are the responsibility of the purchaser and are not covered under warranty.

### 3.2 OPERATOR MANUAL

This manual contains important information for your safety and the installation, operation, maintenance and service of this equipment. Please read the manual carefully and ensure all operators of the equipment are aware of the contents and safety requirements. You must also assess all hazards and risks associated with the operation of the equipment in your environment and advise all operators of these.

### 3.3 INSTALLATION

This equipment must be installed by an authorized person in accordance with local codes as well as local gas, electricity, any applicable statutory regulations and manufacturer requirements.

An approved gas shut-off valve must be installed between the main gas piping system and the appliance. To facilitate servicing of appliance, it is advisable to install a 3/4" pipe union between gas shut-off valve and equipment.

### 3.4 GAS CONNECTION

The appliance must be connected by an authorized person to the gas type specified on the unit. The gas type is shown adjacent to the rear gas connection point and on the data plate. Connect to and use only the correct type of gas.

### 3.5 GAS PRESSURE

The authorized person installing this equipment must ensure that the gas operating pressure is the same as shown on the rating plate and that there is sufficient gas volume.

The unit and its individual shut off valve must be disconnected from the gas supply piping system during any pressure testing of the gas supply piping system at test pressures in excess of 1/2 PSIG (3.45 kPa).

### 3.6 COMMISSIONING

The authorized person installing this equipment must commission the equipment - gas leakage, operational checking, adjustments and instructing the owner on use of the equipment are prescribed requirements.

The equipment must be isolated from the gas supply piping system by closing its individual manual shut off valve during any pressure testing of the gas supply piping system at test pressures equal to or less than 1/2 PSIG (3.45 kPa).

#### NOTICE

Adequate means must be provided to limit the movement of the appliance without depending on the connector and the quick-disconnect device or its associated piping to limit the appliance movement.

The restraining means should be attached to a frame member on the back of the unit.

## 4 SPECIFICATIONS

### 4.1 INSTALLATION



THIS EQUIPMENT MUST BE INSTALLED BY AN AUTHORIZED PERSON IN ACCORDANCE WITH LOCAL GAS SAFETY CODE, LOCAL AUTHORITY, GAS, ELECTRICITY, ANY APPLICABLE STATUTORY REGULATIONS AND MANUFACTURER REQUIREMENTS.

#### NOTE: INSTALLATION IS THE RESPONSIBILITY OF THE OWNER

**Gas Inlet Connection:** 3/4" BSP.

**Gas Connection Point:** For Range units, the gas connection point is located at the rear of the unit 810 mm (32") above the floor and 46 mm (2") – 160 mm (6") from the left hand side, depending on the model

**Gas Connection:** Prescribed requirements include, commission the equipment, gas leakage testing, operational checking and adjustments.

All units are tested and adjusted at the factory; however, burners and pilots must be checked at the installed location and adjusted if necessary.

| Model     | Burners Qty |
|-----------|-------------|
| 7455.0905 | 3           |
| 7455.0915 | 3           |
| 7455.0900 | 2           |
| 7455.0910 | 2           |

**Installation Clearances:** The MINIMUM clearance from combustible and noncombustible surfaces is 10" (254 mm) from the sides and 10" (254 mm) from the rear. Adequate clearance must also be provided for service.

**Levelling:** Refer also to 'Clearances Oven Base' above.  
To adjust the legs to level the unit to the floor and/or to slightly adjust the height of the unit, raise the front of the unit and adjust the legs (ensure safe work practices). Similarly, raise the back and adjust the legs. **DO NOT LAY THE UNIT ON ITS BACK. ENSURE THE UNIT IS LEVEL.**

### 4.2 GAS SUPPLY PRESSURE

Refer to Table (A) for gas pressure for below. To verify gas pressure, use the special plug on the gas line or the pilot burner line. The burner(s) should be working at maximum capacity during the pressure verification.

Pressure verification: Turn on all other gas equipment in the kitchen as well. Check gas pressure on dial of pressure gauge with all equipment on "HI", then turn all other equipment off except range and check again.

### 4.3 NOMINAL GAS CONSUMPTION

|                  |                |   |              |         |
|------------------|----------------|---|--------------|---------|
|                  | I2H, I2E, I2E+ | I2 (43.46 – 45.3 MJ/m <sup>3</sup> (0°C)) | I3+, I3B/P30 | I3B/P50 |
| Burner (Each) kW | 9.0            | 9.0                                       | 7.5          | 7.5     |

**Note:** Pressure test point is located at the gas manifold of the top section.

Table (A) shows the gas type for each country in Europe.

| Item Name   | Charbroiler                                   |          |          | Item No. | Manifold Pressure mbar | Burner Injectors | Single burner Heating Input (kw) | Total Heating Input (kw) |           |           |           |           |
|---|---|----------|----------|----------|------------------------|------------------|----------------------------------|--------------------------|-----------|-----------|-----------|-----------|
|   | Country of destination                        | Category | Gas      |          |                        |                  |                                  | supply Pressure mbar     | 7455.0905 | 7455.0915 | 7455.0900 | 7455.0910 |
|   |   |          |          |          |                        |                  |                                  |                          |           |           |           |           |
| AT, BG, CZ, DK, EE, FI, GR, HR, HU, IS, IE, IT, LV, LT, NO, PT, RO, SK, SI, ES, SE, CH, TR, GB  | I2H   | G20      | 20       | 20       | 228                    | 9.0              | 27                               | 27                       | 18        | 18        |           |           |
| DE, LU, PL  | I2E   | G20      | 20       | 20       | 228                    | 9.0              | 27                               | 27                       | 18        | 18        |           |           |
| BE, FR  | I2E+  | G20      | 20       | 20       | 228                    | 9.0              | 27                               | 27                       | 18        | 18        |           |           |
| NL  | I2 (43.46 – 45.3 MJ / m <sup>3</sup> (0 ° C)) | G25.3    | 25       | 25       | 240                    | 9.0              | 27                               | 27                       | 18        | 18        |           |           |
| AT, CH, DE, SK  | I3B/P   | G30      | 50       | 50       | 121                    | 7.5              | 22.5                             | 22.5                     | 15        | 15        |           |           |
| AT, CH, CZ, DE, DK, FI, FR, GB, GR, IT, NL, NO, SE  | I3B/P   | G30      | 30       | 30       | 138                    | 7.5              | 22.5                             | 22.5                     | 15        | 15        |           |           |
| BE, CH, CZ, ES, FR, GB, GR, IT, PT  | I3+   | G30/G31  | 28-30/37 | 28-30    | 138                    | 7.5              | 22.5                             | 22.5                     | 15        | 15        |           |           |
| <b>This appliance shall be installed in conformity with the current regulations and used only in a well-ventilated location. Consult the instructions before installing and using this appliance.</b> |   |          |          |          |                        |                  |                                  |                          |           |           |           |           |

### 4.4 TEST POINT PRESSURE

The pressure test point is located on the gas manifold. The gas manifold and pressure test point is accessed by removing the gas valve control knobs and the front panel. The test point pressure is shown in the Nominal Gas Consumption Table.

### 4.5 VENTILATION AND AIR SUPPLY

All gas burners and pilots require sufficient air to operate. For optimum performance and for your safety, it is ESSENTIAL that the equipment, in the installed position, has the proper air and ventilation and the correct exhaust/canopy and air balance. The correct installation and compliance with all regulatory and other requirements is the responsibility of the purchaser/owner.

Please note that a strong exhaust canopy will create a vacuum if there is insufficient replacement air. The amount of air exhausted must be replaced by an equal amount of air.

Airflow to the appliance must not be blocked or restricted (e.g. large objects should not be placed in front of the appliance). The flue must never be covered or restricted in any way.



## 5 OPERATING INSTRUCTIONS

### 5.1 LIGHTING INSTRUCTIONS



DO NOT OPERATE THE UNIT UNLESS IT HAS BEEN INSTALLED AND COMMISSIONED BY AN AUTHORIZED PERSON.



BEFORE TURNING ON THE MAIN GAS SUPPLY, CHECK AND ENSURE THAT ALL THE VALVES ARE IN THE "OFF" POSITION.



THIS EQUIPMENT IS DESIGNED FOR COMMERCIAL CATERING PURPOSES AND WILL GENERATE SIGNIFICANT HEAT. HOT SURFACES WILL CAUSE BURNS. A HAZARD AND RISK ASSESSMENT MUST BE UNDERTAKEN BY OWNERS AND ALL OPERATORS MADE AWARE OF THESE.

**NOTE:** Ensure the gas supply to the equipment is turned ON.

**WARNING:** When open top burners adjacent to the backguard or the side of a grill plate are operated at high heat and covered by large cooking vessels (i.e. pots, pans etc), dispersing heat may cause discolouration and or distortion of the adjacent metal surface.

Before attempting to light the appliance, the cover, if so equipped, shall be opened.  
Make sure all valves are closed before turning on the gas supply.

### 5.2 OPEN TOP BURNERS

#### Pilot Flame Ignition

- Starting from the OFF● position, press the control knob and rotate to the PILOT ★ position.
- Press the knob and ignite the pilot flame with a taper or flame gun - keep the knob fully depressed for 15 seconds after the pilot lights.
- Release the knob and check the pilot flame stays alight. If the pilot flame did not stay alight, repeat the ignition procedure.

#### Open Burner Ignition

- Slightly depress the control knob and rotate to the desirable flame level
- When the automatic valve senses that the pilot is alight, the gas flow to the main burner is opened.

#### Pilot Standby Position

- To turn the main burner off and keep the pilot ON, slightly depress the control knob and rotate to the PILOT ★ position.

#### Shut Down/Pilot OFF

- Slightly depress the control knob and rotate to the OFF ● position.

NOTE: If the pilot flame were accidentally extinguished, the flame failure safety device would operate and cut the gas flow to the main burner. It would then be necessary to re light the pilot by following the above procedure.

### 5.3 GRILL (GRIDDLE) BURNER(S)

#### Pilot Flame Ignition

- Starting from the OFF ● position, press the control knob and rotate to the PILOT ★ position.
- Press the control knob and then stick the flame gun through a hole of about 0.6" diameter to ignite the pilot. The pilot is located 7" inside of the hole. Look in the pilot window to ensure that the pilot is lit up. The pilot flame can be viewed through the front panel). Keep the knob fully depressed for 15 seconds after the pilot lights.
- Release the knob and check the pilot flame stays alight. If the pilot flame did not stay alight, repeat the ignition procedure.

#### Grill (Griddle) Burner Ignition

- Slightly depress the control knob and rotate to the desirable level.
- When the automatic valve senses that the pilot is alight, the gas flow to the main burner is opened.

#### Pilot Standby Position

- To turn the main burner off and keep the pilot ON, slightly depress the control knob and rotate to the PILOT ★ position.

#### Shut Down/Pilot OFF

- Slightly depress the control knob and rotate to the OFF ● position.

**NOTE:** If the pilot flame were accidentally extinguished, the flame failure safety device would operate and cut the gas flow to the main burner. It would then be necessary to re light the pilot by following the above procedure.

### 5.4 OVEN BURNER



**WARNING: ENSURE THE PILOT IS ESTABLISHED BEFORE TURNING ON THE THERMOSTAT. THE PILOT FLAME CAN BE SEEN THROUGH THE VIEWING HOLE.**

- Before attempting to light the appliance, the cover, if so equipped, shall be opened.
- Make sure the thermostat located on the control panel is turned off.
- Take off the lower panel, press the black button of the safety valve for 15 to 30 seconds. Stick the flame gun through an opening to light up the pilot (located at about 100 mm behind the opening). Wait for 5 to 10 seconds before releasing your finger on the black button. Repeat the above process again if the pilot flame does not stay by now.
- When the pilot flame is lit, turn the thermostat to the desired temperature 121°C to 287°C (250 – 550°F). You can observe the flame of the oven burner from an opening behind the lower panel. You may replace the lower panel now.
- To turn off the oven, rotate the thermostat clockwise to "OFF" position. The oven burner should go out immediately. A 5 minute complete shutoff period should be allowed before the appliance is relighted.

#### Adjustment of main burners

- Proper flame setting of main burners is obtained by loosening set screw on air shutters and to proceed as follows:
- Air shutters should first be opened all the way for a sharp blue flame, then slowly close until the flames turns soft with just a minimum of yellow at the tips.

## 6 OPERATOR MAINTENANCE



**CONTACT THE FACTORY, THE FACTORY REPRESENTATIVE OR A LOCAL SERVICE COMPANY TO PERFORM MAINTENANCE AND REPAIRS.**



**USE ONLY SUITABLE CHEMICALS AND OBSERVE ALL MANUFACTURER SAFETY REQUIREMENTS FOR SAFE HANDLING AND USE.**

### 6.1 SEASONING THE GRILL (ONLY APPLICABLE IF THERE IS A GRILL)

**NOTE:** The grill surface has protective coating applied at manufacture. Remove this by washing with hot water and a mild detergent until clean.

Season the grill by applying a thin coat of cooking oil with a cloth to the entire grill surface. Remove any excess oil with a cloth.

Light the grill burner(s) and set at the lowest level. Operate the grill for about 20 minutes and then wipe away the oil. Repeat this procedure three times.

**IMPORTANT:** Only use low heat when seasoning the grill.

**NOTE:** The grill surface will discolour from heat. Discolouring will not affect the grill surface function and does not render the grill surface defective.

The grill surface should be cleaned with hot water and detergent.

Normally, if maintained properly, the grill will not need to be seasoned again. If however, the grill has been overheated and product sticks to the grill surface, it may be necessary to season the grill again.

Carbon and grease will affect the cooking performance and should be removed as follows:

**After each use,** clean the grill thoroughly with a sharp grill scraper and wipe off any excess debris.

**NOTE:** Empty the grease drawer as necessary and clean.

**Weekly,** clean the grill surface thoroughly with a grill pad while the surface is still warm (not hot). After cleaning, ensure any detergent/chemical is thoroughly removed. The grill surface should be covered with a thin film of cooking oil to prevent rusting.

**Note:** The grill plate is made of steel and can be easily scored or dented by careless use of scrapers and spatulas.

## 6.2 CLEANING STAINLESS STEEL

Regularly wipe the surface with hot water and detergent. Rinse the washed area with a wet sponge and clean water and wipe the area dry to prevent streaking. Follow this process and wash a small area at a time to prevent chemical residue and streaking.

Stainless steel may discolour if overheated. These stains can usually be removed using an appropriate powder/paste. To scrape off heavy deposits of grease and oil, use only wood or plastic tools as necessary.

**Note:** Never use steel wool to clean stainless steel.

**Note:** Damage may occur if chemicals not suitable for stainless steel are used.

## 6.3 OVEN INTERIOR (ENAMEL)

**Note:** Remove all oven racks and guides and clean these separately with a suitable detergent and warm water.

The enamelled oven interior surface should be cleaned regularly with a suitable oven cleaner.

**Note:** The wire chrome rack is designed for holding standard 18" x 26" aluminum sheet pans, not for direct contacting with food.

## 6.4 OPEN TOP BURNERS

**Note:** Spillage is the major cause of problems to the performance of open top and pilot burners. Spillage can block gas ports, which then causes burners to operate inefficiently or, in bad cases, not at all. Clean any spillages as they occur.

To clean the burners, remove the burner cap and clean with a suitable detergent and warm water. If the burner ports are blocked, clean these with a stiff brush. Place the burner cap back on the burner, ignite and check that the flame is even and comes from all ports (this dries the burner cap).

If any ports remain clogged, remove the burner cap and complete burner and clean thoroughly with a suitable detergent and hot water. Dry thoroughly, ensure the air shutter is fully open, reinstall (ensure the injector is located in the burner venturi), ignite and check the flame pattern.

**Note:** The burner flame should be uniformly blue. If yellow flames are present, this may indicate that grease and dirt are present in the burner throat. Remove and clean the burner per the above.

## 6.5 TRIVETS

The trivets should be removed from the appliance before cleaning.

To clean the trivets, wash with warm water and a suitable detergent using a soft cloth and then dry.

For heavily soiled trivets, use a suitable oven cleaner and non-abrasive pad or brush.

## 7 SERVICE



**CONTACT THE FACTORY, THE FACTORY REPRESENTATIVE OR A LOCAL SERVICE COMPANY TO PERFORM MAINTENANCE AND REPAIRS.**



**FOR YOUR SAFETY, ALL SERVICE WORK MUST BE CARRIED OUT BY AN AUTHORISED PERSON AND USE ONLY ORIGINAL SUPPLIED AND SPECIFIED PARTS.**



**TEST ALL FITTINGS, PIPES AND PIPE CONNECTIONS FOR LEAKS IN ACCORDANCE WITH APPROVED GAS LEAK TEST PROCESSES AND METHODS. DO NOT USE A FLAME.**

**Note: When checking gas pressure, ensure that all other equipment on the same line is turned “ON”.**

### 7.1 RECOMMENDED SERVICE

It is recommended that your appliance be serviced by an authorized person. It is for guidance purpose only and may vary based on usage of the equipment and operator care. Prescribed service tasks include:

- Functional test of all components and clean and adjust as necessary.
- Inspect and clean all gas valves and lubricate with an industry approved lubricant.
- Inspect all gas piping.
- Check and adjust specified gas pressures.
- Leak test.
- Full operational, performance and safety test.

### 7.2 SERVICE INFORMATION

To access gas valves, remove control knobs and the front panel.

To remove a gas valve, disconnect the gas valve from the manifold connection and remove the valve.

To access oven burner thermocouples/pilots, remove oven base.

### 7.3 OPEN AND GRILL BURNER ADJUSTMENTS

#### Leak Test

Ensure that all valves are in the OFF position.

Turn on the main gas supply valve.

Light all pilots.

Leak test all valves and fittings using approved methods.

Correct any leaks as required and re-check.

Shut off all valves and set thermostat dials to “OFF” position.

#### Test Point Pressure

The open top and grill gas pressure test point is located on the gas manifold. The gas manifold and pressure test point is accessed by removing the gas valve control knobs and the front panel. The test point pressure is shown in the Nominal Gas Consumption Table and is set with two open top burners operating at maximum setting.

#### Burner Adjustment

The open top, grill and oven burner orifices are fixed as specified and cannot be adjusted. The specified gas rate will be achieved if the gas supply pressure and test point pressure is correct.

A distinct blue flame over the entire port area of the burner will be achieved at full rate when the air supply is correct and the air shutter is properly adjusted.

If the flame is yellow and wavy, the cause needs to be established.

## 7.4 OVEN CONTROL SETTINGS AND ADJUSTMENTS

### Test Point Pressure

The oven burner pressure test point is located also on the manifold test point on the top section. The test point pressure is shown in the Nominal Gas Consumption Table.

## 7.5 CONVERSION INSTRUCTIONS



**TO BE COMPLETED BY AN AUTHORISED PERSON**



**ENSURE GAS IS ISOLATED WHILE PERFORMING CONVERSION WORK.  
PERFORM A LEAK TEST BEFORE IGNITING AND CALIBRATING BURNER  
AND PILOT ADJUSTMENTS.**

### TO PROPANE GAS

Regulator Change regulator to PROPANE gas configuration and adjust as necessary

Open Burner/Grill Burner Access and change the injectors to PROPANE Gas injectors  
**(refer Nominal Gas Consumption Table)**

Oven Burner Access and change the injector to a PROPANE Gas Injector  
**(refer Nominal Gas Consumption Table)**

LEAK TEST IN ACCORDANCE WITH APPROVED METHODS

Ignite burners and adjust.

AMEND DATA PLATE AND APPLY 'PROPANE' GAS LABEL

### TO NATURAL GAS (NG)

Regulator Change regulator to NG gas configuration and adjust as necessary

Open Burner/Grill Burner Access and change the injectors to a NG Injectors  
**(refer Nominal Gas Consumption Table)**

Oven Burner Access and change the injector to a NG Injector  
**(refer Nominal Gas Consumption Table)**

LEAK TEST IN ACCORDANCE WITH APPROVED METHODS

Ignite burners and adjust

AMEND DATA PLATE AND APPLY 'NATURAL GAS' LABEL

### SPARE PARTS

A list of major spare part items is shown at the end of this manual.

## 8 TROUBLE SHOOTING



**ALL SERVICE WORK TO BE COMPLETED BY AN AUTHORISED PERSON.**

### ALL BURNERS

| CONDITION                      | CHECK   |
|--------------------------------|---|
| Pilot will not light           | Gas supply is on and gas pressure is correct<br>Blocked pilots<br>Pilot adjusting screw |
| Pilot repeatedly goes out      | Pilot flame size and position   |
| Yellow Burner Flame            | Primary air and adjust air shutter  |
| Flame lifting off burner ports | Primary air<br>Air shutter  |
| 'Popping' after turning off    | Primary air<br>Air shutter  |
| Burner flame too large         | Gas pressure  |
| Delayed ignition               | Pilot flame<br>Burner and ports clean<br>Air shutter<br>Gas pressure                    |
| Flame burns back to orifice    | Primary air<br>Air shutter  |

### OVEN

| CONDITION                           | CHECK                                     |
|-------------------------------------|---|
| Incorrect oven temperature          | Oven thermostat and control dial position |
| Burner shuts off at set temperature | Thermostat/by-pass                        |

# 1 INSTALLATIE- EN GEBRUIKERSHANDLEIDING

## WAARSCHUWINGEN



ONJUISTE INSTALLATIE, AANPASSING, WIJZIGING, SERVICE EN ONDERHOUD KUNNEN LETSEL EN OVERLIJDEN VEROORZAKEN.  
LEES DE GEBRUIKSHANDLEIDING AANDACHT DOOR ALVORENS DIT APPARAAT TE INSTALLEREN, GEBRUIKEN OF ONDERHOUDEN.



ALLEEN TE INSTALLEREN DOOR EEN ERKEND PERSOON IN OVEREENSTEMMING MET AS 5601, GEMEENTE, GAS, ELECTRICITEIT, TOEPASSELIJKE WETGEVIING EN INSTRUCTIES FABRIKANT.



PLAATS DE TE VOLGEN INSTRUCTIES INDIEN GEBRUIKER GAS RUIKT, OP EEN PROMINENTE PLAATS. DEZE INFORMATIE KAN VERKREGEN WORDEN DOOR CONTACT OP TE NEMEN MET DE PLAATSELIJKE GASLEVERANCIER.



VOOR UW VEILIGHEID, BEWAAR OF GEBRUIK GEEN GASOLIE OF ANDERE BRANDBARE STOFFEN OF VLOEISTOFFEN IN DE NABIJHEID VAN DIT OF ANDER APPARATUUR



DIT APPARATUUR IS ONTWIKKELD VOOR COMMERCIELE CATERING DOELEINDEN EN GENEREERT VEEL WARMTE. HETE OPPERVLAKTES KUNNEN BRANDWONDEN VEROORZAKEN. EEN GEVAREN- EN RISICOANALYSE MOET UITGEVOERD WORDEN DOOR DE EIGENAAR EN ALLE OPERATORS MOETEN HIERVAN OP DE HOOGTE ZIJN.



BEWAAR OF GEBRUIK GEEN BRANDBARE VLOEISTOFFEN IN DE BUURT VAN DIT APPARATUUR.





SPUIT GEEN AEROSOLS IN DE BUURT VAN DIT APPARATUUR  
WANNEER HET IN WERKING IS.



INSTALLATIEAFSTANDEN ZOALS VERMELD MOETEN IN ACHT  
WORDEN GEHOUDEN.



ALS U GAS RUIKT, ZET HET APPARAAT UIT EN DE HOOFDGASTOEVOER  
NAAR HET APPARAAT. NEEM CONTACT OP MET UW GASLEVERANCIER  
OF ERKEND PERSOON.



ALVORENS DE HOOFDGASTOEVOER IN TE SCHAKELEN, CONTROLEER  
HET APPARAAT OM ER ZEKER VAN TE ZIJN DAT ALLE SCHAKELAARS  
OP "UIT" STAAN.

**BEWAAR DEZE HANDLEIDING VOOR TOEKOMSTIG GEBRUIK DOOR ALLE OPERATORS.**

## 2 INTRODUCTIE

---

Bedankt voor het kiezen van dit product en welkom bij onze groeiende klantenkring. Dit product is speciaal ontworpen om te voldoen aan een ruime scala van toepassingen en dit apparaat vertegenwoordigt de beste kwaliteit en hoogste waarde.

Graag de gebruikshandleiding zorgvuldig doorlezen om te zorgen voor een veilige en betrouwbare werking van uw apparatuur.

Mocht u ooit service nodig hebben dan wordt u ondersteunt door een opgeleid en gekwalificeerd servicenetwerk – die grootste die beschikbaar is.

We garanderen u alle ondersteuning en wensen u veel succes met uw onderneming.

### 2.1 ALGEMEEN

Deze reeks is ontworpen voor commerciële catering doeleinden en omvat een ruime scala aan designkenmerken.

### 2.2 GARANTIE

Dit product is onderworpen aan correcte installatie, bediening, onderhoud en service van de apparatuur.

Garantie geldt niet voor:

- Schade veroorzaakt tijdens vervoer
- Schade veroorzaakt door onjuist installatie.
- Schade veroorzaakt door onjuist bediening
- Schade veroorzaakt door onbevoegde service en gebruik van niet-originele onderdelen.
- Gastoevoer problemen naar de apparatuur.
- Storing veroorzaakt door onjuist onderhoud.
- Storing als gevolg van knoeien aan, verwijderen of veranderen van ingestelde controle van veiligheidsapparaat.
- Service 'Na kantooruren'
- Voorwaarden zoals omschreven in verkoopvoorwaarden van de dealer.

**Zorg ervoor dat u het model- en serienummer vermeldt van het apparaat.**

## 3 ALGEMENE INFORMATIE

---

### 3.1 INSPECTIE

Inspecteer het apparaat bij ontvangst. Als het apparaat beschadigd is, neem dan meteen contact op met de vervoerder en dien een schadeclaim in bij hen. Bewaar alle verpakkingsmaterialen wanneer u een claim indient. Schadeclaims met betrekking tot vervoer zijn de verantwoordelijkheid van de koper en vallen niet onder de garantie.

### 3.2 GEBRUIKSHANDLEIDING

Deze handleiding bevat belangrijke informatie voor uw veiligheid en de installatie, bediening, onderhoud en service van dit apparaat. Lees de handleiding zorgvuldig en zorg ervoor dat alle operators van de apparatuur op de hoogte zijn van de inhoud en veiligheidseisen. U moet tevens alle gevaren en risico's vaststellen met betrekking tot de bediening van de apparatuur in uw omgeving en adviseer alle operators hierover.

### 3.3 INSTALLATIE

Dit apparaat moet geïnstalleerd worden door een erkend persoon in overeenstemming met plaatselijke normen evenals, plaatselijke gas, elektriciteit, toepasselijke wetgeving en instructies van de fabrikant.

Een goedgekeurde gasafsluiting moet geïnstalleerd worden tussen de hoofdgaspijp en de apparatuur. Om onderhoud van de apparatuur te vergemakkelijken raden wij u aan om een 3/4" pijp aansluiting te installeren tussen de gasafsluiting en apparatuur.

### 3.4 GASAANSLUITING

De apparatuur moet aangesloten worden door een erkend persoon op het type gas dat vermeld staat op het apparaat. Het type gas staat vermeld naast de achterste gasaansluitingen op het typeplaatje. Alleen aansluiten en gebruiken op het correcte type gas.

### 3.5 GASDRUK

De erkende persoon die dit apparaat installeert moet ervoor zorgen dat de gasdruk waarmee gewerkt wordt hetzelfde is als vermeld op het typeplaatje en dat er voldoende gasvolume is.

Het apparaat en individuele afsluitklep moet losgekoppeld zijn van het gastoevoersysteem tijdens het testen van de druk van het gastoevoersysteem als de druk meer is dan 1/2 PSIG (3.45 kPa).

### 3.6 INBEDRIJFSTELLING

De erkende persoon die dit apparaat installeert moet bij de inbedrijfstelling van het apparaat controleren of er geen gaslekken zijn, of het goed werk en eventueel aanpassen, de eigenaar gebruiksinstructies geven in overeenstemming met de voorgeschreven eisen.

De apparatuur moet afgesloten zijn van het gastoevoersysteem door de individuele afsluitklep dicht te doen tijdens het testen van de druk van het gastoevoersysteem als de druk gelijk of minder is dan 1/2 PSIG (3.45 kPa).

#### LET WEL

U moet voldoende maatregelen nemen om ervoor te zorgen dat de beweging van het apparaat beperkt is zonder dat dit invloed heeft op de aansluiting of het afkoppelingssysteem of bijbehorende leidingen.

De aansluiting moeten bevestigd zijn aan een frame aan het achterkant van het apparaat.

## 4 SPECIFICATIES

### 4.1 INSTALLATIE



DIT APPARATUUR MOET GEÏNSTALLEERD WORDEN DOOR EEN ERKEND PERSOON IN OVEREENSTEMMING MET PLAATSELIJKE GASVEILIGHEIDSNORMEN, GEMEENTE, GAS, ELECTRICITEIT, TOEPASSELIJKE WETGEVING EN INSTRUCTIES FABRIKANT.

#### LET WEL: INSTALLATIE IS DE VERANTWOORDELIJKHEID VAN DE EIGENAAR

**Gastoevoeraansluiting:** 3/4" BSP.

**Gasaansluitpunt:** Voor Range apparaten bevindt het gasaansluitpunt zich aan de achterkant van het apparaat 810 mm (32") boven de vloer en 46 mm (2") – 160 mm (6") van de linkerkant, afhankelijk van het model.

**Gasaansluiting:** De voorgeschreven eisen zijn: inbedrijfstelling apparaat, controleren op gaslekken, bediening controleren en eventueel aanpassen.

Alle apparaten worden in de fabriek getest en aangepast; echter branders en waakvlammen moeten gecontroleerd worden bij het installeren en eventueel aangepast worden.

| Model     | Aantal branders |
|-----------|-----------------|
| 7455.0905 | 3               |
| 7455.0915 | 3               |
| 7455.0900 | 2               |
| 7455.0910 | 2               |

**Installatieruimte:** De MINIMALE ruimte voor brandbare en niet-brandbare oppervlaktes is 10" (254 mm) aan de zijkanten en 10" (254 mm) aan de achterkant. Er moet voldoende ruimte zijn om het apparaat te bedienen.

**Nivellering:** Zie ook 'Ruimte Oven' hierboven.  
Om de poten aan te passen zodat het apparaat gelijk staat op de vloer en/of om de hoogte van het apparaat iets te verhogen, til het voorste deel van het apparaat op en pas de poten aan (doe dit op een veilige manier). Dan til het achterste deel op van het apparaat en pas de poten aan. **LEG HET APPARAAT NIET OP ZIJN ACHTERKANT. ZORG ERVOOR DAT HET APPARAAT GELIJK STAAT.**

### 4.2 GASTOEVOERDRUK

Zie tabel (A) hieronder voor gasdruk. Om de gasdruk te controleren, gebruik de speciale stekker op de gaspijp of de waakvlam. De brander(s) moeten op maximale capaciteit werken tijdens het controleren van de druk.

Controleren druk: Schakel alle andere gasapparatuur aan in de keuken. Controleer gasdruk via de manometer terwijl al de apparatuur op "HI" staat dan schakel al de apparatuur uit behalve de range en controleer nogmaals.

### 4.3 NOMINAAL GASVERBRUIK

|                  |                |   |              |         |
|------------------|----------------|---|--------------|---------|
|                  | I2H, I2E, I2E+ | I2 (43.46 – 45.3 MJ/m <sup>3</sup> (0°C)) | I3+, I3B/P30 | I3B/P50 |
| Brander (elk) kW | 9.0            | 9.0                                       | 7.5          | 7.5     |

**Aantekening:** Druktestpunt bevindt zich aan het gasspuitstuk van het bovenste gedeelte.

Tabel (A) toont het type gas voor elk land in Europa.

| Item Name   | Charbroiler                                   |          |          | Item No. | Manifold Pressure mbar | Burner Injectors | Single burner Heating Input (kw) | Total Heating Input (kw) |            |            |            |            |
|---|---|----------|----------|----------|------------------------|------------------|----------------------------------|--------------------------|------------|------------|------------|------------|
|   | Country of destination                        | Category | Gas      |          |                        |                  |                                  | supply Pressure mbar     | 7455. 0905 | 7455. 0915 | 7455. 0900 | 7455. 0910 |
|   |   |          |          |          |                        |                  |                                  |                          |            |            |            |            |
| AT, BG, CZ, DK, EE, FI, GR, HR, HU, IS, IE, IT, LV, LT, NO, PT, RO, SK, SI, ES, SE, CH, TR, GB  | I2H   | G20      | 20       | 20       | 228                    | 9.0              | 27                               | 27                       | 18         | 18         |            |            |
| DE, LU, PL  | I2E   | G20      | 20       | 20       | 228                    | 9.0              | 27                               | 27                       | 18         | 18         |            |            |
| BE, FR  | I2E+  | G20      | 20       | 20       | 228                    | 9.0              | 27                               | 27                       | 18         | 18         |            |            |
| NL  | I2 (43.46 – 45.3 MJ / m <sup>3</sup> (0 ° C)) | G25.3    | 25       | 25       | 240                    | 9.0              | 27                               | 27                       | 18         | 18         |            |            |
| AT, CH, DE, SK  | I3B/P   | G30      | 50       | 50       | 121                    | 7.5              | 22.5                             | 22.5                     | 15         | 15         |            |            |
| AT, CH, CZ, DE, DK, FI, FR, GB, GR, IT, NL, NO, SE  | I3B/P   | G30      | 30       | 30       | 138                    | 7.5              | 22.5                             | 22.5                     | 15         | 15         |            |            |
| BE, CH, CZ, ES, FR, GB, GR, IT, PT  | I3+   | G30/G31  | 28-30/37 | 28-30    | 138                    | 7.5              | 22.5                             | 22.5                     | 15         | 15         |            |            |
| <b>This appliance shall be installed in conformity with the current regulations and used only in a well-ventilated location. Consult the instructions before installing and using this appliance.</b> |   |          |          |          |                        |                  |                                  |                          |            |            |            |            |

### 4.4 DRUK MEETPUNT

Het druk meetpunt bevindt zich op het gas spuitstuk. Het gas spuitstuk en druk meetpunt kan geëvalueerd worden door de gasregelaars en het voorste paneel te verwijderen. Het druk meetpunt wordt getoond in de tabel nominaal gasverbruik.

### 4.5 VENTILATIE EN LUCHTTOEVOER

Alle gasbranders en waakvlammen hebben voldoende lucht nodig voor een goede werking. Voor een optimale werking en voor uw veiligheid is het ESSENTIËEL dat het apparaat, in de geïnstalleerde positie, genoeg lucht en ventilatie heeft en de juiste uitlaat/afzuigkap en luchtdruk. De juiste installatie en naleving van alle regelgeving en andere eisen is de verantwoordelijkheid van de koper/eigenaar.

Let wel, een sterke afzuigkap zal een vacuüm creëren als er niet voldoende luchttoevoer is. De hoeveelheid afgezogen lucht moet vervangen worden door eenzelfde hoeveelheid lucht.

Luchttoevoer naar het apparaat mag niet geblokkeerd of gehinderd worden (bijv. plaats geen grote voorwerpen voor het apparaat). De toevoer mag nooit afgedekt of beperkt worden op wat voor manier dan ook.

## 5 GEBRUIKSINSTRUCTIES

### 5.1 AANSTEEKINSTRUCTIES



BEDIEN HET APPARAAT NIET TENZIJ HET GEÏNSTALLEERD EN GECONTROLEERD IS DOOR EEN ERKEND PERSOON.



ALVORENS DE HOOFDGASTOEVOER AAN TE ZETTEN, CONTROLEER EN ZORG ERVOOR DAT ALLE KNOPPEN “UIT” STAAN.



DIT APPARATUUR IS ONTWIKKELD VOOR COMMERICËLE CATERING DOELEINDEN EN GENEREERT VEEL WARMTE. HETE OPPERVLAKTES KUNNEN BRANDWONDEN VEROORZAKEN. EEN GEVAREN- EN RISICOANALYSE MOET UITGEVOERD WORDEN DOOR DE EIGENAAR EN ALLE OPERATORS MOETEN HIERVAN OP DE HOOGTE ZIJN.

**LET WEL:** Zorg ervoor dat de gastoevoer naar het apparaat is ingeschakeld.

**WAARSCHUWING:** Als de open branders grenzend aan de achterkant of zijkant van de grillplaat op hoge temperatuur werken en bedekt worden door groot kookgerei (zoals potten, pannen, etc.) dan kan de verspreidende warmte verkleuring veroorzaken en/of vervorming van het aangrenzende metalen oppervlak.

Alvorens te proberen het apparaat aan te steken, moet het deksel, indien aanwezig, open zijn. Zorg ervoor dat alle knoppen dicht zijn voordat u de gastoevoer aanzet.

### 5.2 OPEN BRANDERS

#### Aansteken waakvlam

- Begin bij de UIT● positie, druk de regelknop in en draai naar de WAAKVLAM★ positie.
- Druk de knop in en ontsteek de waakvlam met een lucifer of aansteker – houdt de knop ingedrukt voor 15 seconden nadat de waakvlam brandt.
- Laat de knop los en controleer dat de waakvlam aanblijft. Als de waakvlam niet aanblijft, herhaal het aansteekproces.

#### Aansteken open branders

- Druk de regelknop iets in en draai naar het gewenste vlamniveau.
- Als de automatische regelaar merkt dat de waakvlam brandt, zal de gastoevoer naar de hoofdbrander geopend worden.

#### Stand-by positie waakvlam

- Om de hoofdbrander uit te zetten en de waakvlam AAN, druk de regelknop iets in en draai deze naar de WAAKVLAM★ positie.

#### Uitzetten/waakvlam UIT

- Druk de regelknop iets in en draai naar de UIT ● positie.

**LET WEL:** Als de waakvlam per ongeluk uitgaat, zal het brandbeveiligingssysteem in werking gesteld worden en de gastoevoer afsluiten naar de hoofdbrander. Het is dan noodzakelijk om de waakvlam opnieuw aan te steken volgens de hierboven vermelde procedure.

### 5.3 GRILL (ROOSTER) BRANDER(S)

#### Aansteken waakvlam

- Begin bij de UIT ● positie, druk de regelknop in en draai naar de WAAKVLAM ★ positie.
- Druk de regelknop in en steek de aansteker door een gat van ongeveer 0.6" diameter om de waakvlam aan te steken. De waakvlam bevindt zich 7" in het gat. Kijk door het venster van de waakvlam om ervoor te zorgen dat de waakvlam brandt. (U kunt de waakvlam zien door het voorste paneel). Houdt de knop ingedrukt voor 15 seconden nadat de waakvlam brandt.
- Laat de knop los en controleer of de waakvlam blijft branden. Als de waakvlam niet blijft branden, herhaal dan het aansteekproces.

#### Aansteken Grill (Rooster) Brander

- Druk de regelknop iets in en draai naar het gewenste niveau.
- Als de automatische regelaar merkt dat de waakvlam brandt, zal de gastoevoer naar de hoofdbrander geopend worden.

#### Stand-by positie waakvlam

- Om de hoofdbrander uit te zetten en de waakvlam AAN, druk de regelknop iets in en draai deze naar de WAAKVLAM ★ positie.

#### Uitzetten/waakvlam UIT

- Druk de regelknop iets in en draai naar de UIT ● positie.

**LET WEL:** Als de waakvlam per ongeluk uitgaat, zal het brandbeveiligingssysteem in werking gesteld worden en de gastoevoer afsluiten naar de hoofdbrander. Het is dan noodzakelijk om de waakvlam opnieuw aan te steken volgens de hierboven vermelde procedure.

### 5.4 OVEN BRANDER



**WARSchUWING: ZORG ERVOOR DAT DE WAAKVLAM BRANDT VOORDAT U DE THERMOSTAAT AANZET. DE WAAKVLAM KUNT U ZIEN VIA HET KIJKGAT.**

- Voordat u probeert het apparaat aan te steken moet het deksel, indien aanwezig, geopend zijn.
- Zorg ervoor dat de thermostaat op het bedieningspaneel uitstaat.
- Verwijder het onderste paneel, druk de zwarte knop van de veiligheidsschakelaar in voor 15 tot 30 seconden. Steek de aansteker door een opening om de waakvlam aan te steken (bevindt zich ongeveer 100 mm achter de opening). Wacht 5 tot 10 seconden voordat u de zwarte knop loslaat. Herhaal deze procedure nogmaals als de waakvlam niet blijft branden.
- Als de waakvlam brandt, draai de thermostaat op de gewenste temperatuur 121 °C tot 287 °C (250 – 550 oF). U kunt de vlam van de oven controleren via een opening achter het onderste paneel. U kunt nu het onderste paneel terugplaatsen.
- Voor het uitzetten van de oven, draai de thermostaat met de klok mee naar de "UIT" positie. De ovenbrander moet onmiddellijk uit gaan. U moet 5 minuten wachten voordat u het apparaat weer aansteekt.

#### Aanpassen hoofdbranders

- Het correct instellen van de vlam van de hoofdbranders doet u door de schroef van de luchtafsluitingen los te draaien en dat doet u het volgende:
- De luchtafsluitingen moet eerst helemaal geopend zijn voor een scherpe blauwe vlam, dan sluit deze langzaam totdat de vlammen minder worden waarbij ze slechts aan het uiteinde een beetje geel zijn.

## 6 BEDIENINGSONDERHOUD



**NEEM CONTACT OP MET DE FABRIEK, VERTEGENWOORDIGER OF PLAATSELIJKE SERVICEBEDRIJF VOOR HET UITVOEREN VAN ONDERHOUD EN REPARATIES.**



**GEbruik ALLEEN GESCHIKTE CHEMICALIËN EN NEEM ALLE VEILIGHEIDSEISEN VAN DE FABRIKANT IN ACHT VOOR VEILIGE BEHANDELING EN GEBRUIK.**

### 6.1 INVETTEN VAN DE GRILL (ALLEEN VAN TOEPASSING ALS ER EEN GRILL IS)

**LET WEL:** De grill heeft een beschermende laag die is aangebracht door de fabrikant. Verwijder deze door het af te wassen met warm water en een mild reinigingsmiddel totdat het schoon is.

Vet de grill in door het aanbrengen van een dunne laag kookolie met een doek, doe dit voor het gehele grilloppervlak. Verwijder overtollige olie met een doek.

Steek de grillbrander(s) aan en zet op de laagste stand. Laat de grill ongeveer 20 minuten aan staan en veeg dan de olie eraf. Herhaal deze procedure 3 maal.

**BELANGRIJK: Grill alleen invetten bij een lage temperatuur.**

**LET WEL:** Het grilloppervlak zal verkleuren door de hitte. Verkleuring zal de functie van het grilloppervlak niet aantasten en zal geen schade veroorzaken.

Het grilloppervlak moet schoongemaakt worden met heet water en reinigingsmiddel.

Indien de grill goed onderhouden wordt, hoeft de grill normaal gesproken niet nogmaals ingevet te worden. Maar als de grill te warm is geworden en een product blijft plakken aan het grilloppervlak dan kan het noodzakelijk zijn om de grill nogmaals in te vetten.

Koolstof en vet zal de kookprestatie aantasten en moet als volgt verwijderd worden:

**Na elk gebruik,** maak de grill zorgvuldig schoon met een scherpe grillkrabber en verwijder overtollig afval.

**LET WEL:** Maak de vetlaag regelmatig leeg en schoon.

**Wekelijks,** Maak het grilloppervlak zorgvuldig schoon met een grillsponsje als het oppervlak warm is (niet heet). Zorg ervoor dat reinigingsmiddelen/chemicaliën zorgvuldig verwijderd zijn na het schoonmaken. Het grilloppervlak moet bedekt worden met een dunne laag kookolie om roesten te voorkomen.

**LET WEL:** De grillplaat is gemaakt van staal en er kunnen makkelijk krassen of deukjes ontstaan door onjuist gebruik van krabbers of spatels.



## 6.2 SCHOONMAKEN ROESTVRIJSTAAL

Veeg het oppervlak regelmatig schoon met heet water en reinigingsmiddel. Spoel het afgewassen oppervlak met een natte spons en schoon water en maak het oppervlak droog om strepen te voorkomen. Volg dit proces en maak steeds een klein oppervlak schoon om chemische afvalstoffen en strepen te voorkomen.

Roestvrijstaal kan verkleuren als het te warm wordt. Deze plekken kunnen eenvoudig verwijderd worden met een geschikte poeder/pasta. Gebruik voor het afschrappen van veel vet en olie alleen hout of plastic gereedschap, indien nodig.

**Let wel:** Gebruik nooit geen staalwol voor het schoonmaken van roestvrijstaal.

**Let wel:** Schade kan ontstaan als er ongeschikte chemicaliën voor roestvrijstaal worden gebruikt.

## 6.3 BINNENKANT OVEN (EMAIL)

**Let wel:** Verwijder alle ovenroosters en platen en maak deze apart schoon met een geschikt reinigingsmiddel en warm water.

De email binnenkant van de oven moet regelmatig schoon gemaakt worden met een geschikte ovenreiniger.

**Let wel:** Het chroomrek is ontworpen voor het plaatsen van een standaard 18" x 26" aluminium bakplaat, niet voor direct contact met voedselwaren.

## 6.4 OPEN BRANDERS

**Let wel:** Morsen is een belangrijke reden voor problemen met de werking van de open branders en waakvlammen. Morsen kan ervoor zorgen dat de gasopeningen dicht gaan zitten waardoor de branders niet goed werken, en in het ergste geval, helemaal niet werken. Als u iets morst, maak dit dan meteen schoon.

Voor het schoonmaken van de branders, verwijder de pit van de brander en maak deze schoon met een geschikt reinigingsmiddel en warm water. Als de branders dicht zitten, maak deze dan schoon met een harde borstel. Plaats de pit terug op de brander, steek deze aan en controleer dat de vlam egaal is en uit alle openingen komt (hierdoor droogt de pit)

Als er openingen dicht blijven zitten, verwijder de pit en de gehele brander en maak deze zorgvuldig schoon met een geschikt reinigingsmiddel en warm water. Maak goed droog, zorg ervoor dat de luchtafsluiting volledig open is, plaats terug (zorg ervoor dat de injector goed geplaatst is in de brander), steek aan en controleer de vlam.

**Let wel:** De vlam van de brander moet egaal blauw zijn. Als er gele vlammen aanwezig zijn dan kan dit betekenen dat er vet of vuil aanwezig is in de brander. Verwijder en maak de brander schoon zoals hierboven vermeld.

## 6.5 ONDERZETTERS

De onderzetters moeten verwijderd worden van het apparaat voor het schoonmaken.

Maak de onderzetter schoon met warm water en een geschikt reinigingsmiddel met behulp van een zachte doek en maak deze dan droog.

Gebruik voor zeer vette onderzetter een geschikte ovenreiniger en een niet schurende sponsje of borstel.

## 7 SERVICE



**NEEM CONTACT OP MET DE FABRIEK, VERTEGENWOORDIGER OF PLAATSELIJKE SERVICEBEDRIJF VOOR HET UITVOEREN VAN ONDERHOUD EN REPARATIES.**



**VOOR UW VEILIGHEID MOET AL HET SERVICE WERK UITGEVOERD WORDEN DOOR EEN ERKEND PERSOON EN MOGEN ER ALLEEN ORIGINELE EN GESPECIFICEERDE ONDERDELEN GEBRUIKT WORDEN.**



**TEST ALLE FITTINGS, LEIDINGEN EN AANSLUITINGEN OP LEKKAGES IN OVEREENSTEMMING MET GOEDGEKEURDE PROCESSEN EN METHODES VOOR HET TESTEN VAN GASLEKKEN. GEBRUIK GEEN VLAM.**

Let wel: Bij het controleren van de gasdruk moet u ervoor zorgen dat alle andere apparatuur op dezelfde line "AAN" staat.

### 7.1 AANBEVOLEN SERVICE

Het wordt aanbevolen dat u uw apparaat laat onderhouden door een erkend persoon. Dit is slechts een richtlijn en is afhankelijk van het gebruik van het apparaat en bedieningsonderhoud. Voorgeschreven onderhoud omvat:

- Functioneel testen van alle componenten en schoonmaken en aanpassen indien nodig.
- Inspecteren en schoonmaken van alle gaskleppen en deze insmeren met een industrieel goedgekeurd smeermiddel.
- Inspecteren van alle gasleidingen
- Controleren en aanpassen van gespecificeerde gasdrukken.
- Lekkagetest
- Volledige operationele, uitvoerings- en veiligheidstest

### 7.2 SERVICE INFORMATIE

Voor toegang tot de gaskleppen, verwijder regelknoppen en het voorste paneel. Verwijder de gasklep uit het spruitstuk en verwijder de klep. Voor toegang tot ovenbrander thermokoppelingen/waakvlammen, verwijder bodem van de oven.

### 7.3 AANPASSEN OPENBRANDER EN GRILLBRANDERS

#### Lekkagetest

- Zorg ervoor dat alle knoppen UIT staan.
- Schakel de hoofdgastoevoer in.
- Steek waakvlam aan.
- Controleer alle kleppen en fittings op lekkages met behulp van goedgekeurde methodes.
- Corrigeer mogelijke lekkages en controleer nogmaals.
- Sluit alle kleppen en zet de thermostaat "UIT".

#### Druk meetpunt

Het druk meetpunt van de open en grill gasbranders bevindt zich op het gasspruitstuk. Het gasspruitstuk en druk meetpunt kunnen gecontroleerd worden door de gasregelknop en het voorste paneel te verwijderen. Het druk meetpunt is te zien in de tabel Nominaal Gasverbruik en is afgesteld op twee openbranders die maximaal in werking zijn.

### Aanpassen brander

De open, grill en ovenbranders openingen zijn vast zoals gespecificeerd en kunnen niet worden aangepast. De gespecificeerde gastoevoer kan bereikt worden als de gastoevoerdruk en druk meetpunt correct is.

Een duidelijke blauwe vlam over de gehele brander kan bereikt worden als de luchttoevoer correct is en als de luchtafsluiting correct is aangepast.

Als de vlam geel is en beeft, dan moet u de reden hiervoor vaststellen.

## 7.4 OVENINSTELLINGEN EN AANPASSINGEN

### Druk meetpunt

Het druk meetpunt van de gasbrander bevindt zich ook in het spuitstuk meetpunt aan de bovenkant. Het druk meetpunt wordt getoond in de tabel Nominaal Gasverbruik.

## 7.5 CONVERSIE INSTRUCTIES



**MOET WORDEN UITGEVOERD DOOR EEN ERKEND PERSOON.**



**ZORG ERVOOR DAT DE GAS IS AFGESLOTEN TIJDENS HET UITVOEREN VAN CONVERSIE WERKZAAMHEDEN. VOER EEN LEKKAGETEST UIT ALVORENS DE BRANDER AAN TE STEKEN EN TE KALIBREREN EN AANPASSEN WAAKVLAM.**

### Propaangas

Regelaar Verander regelaar naar PROPAANGAS configuratie en pas aan indien nodig.

Open brander/Grill Brander Verkrijg toegang en verander de injectors naar PROPAANGAS injectors **(zie tabel Nominaal Gasverbruik)**

Oven Brander Verkrijg toegang en verander de injector naar PROPAANGAS injector **(zie tabel Nominaal Gasverbruik)**

### LEKKAGETEST IN OVEREENSTEMMING MET GOEDGEKEURDE METHODES

Steek branders aan en pas deze aan.

PAS TYPEPLAATJE AAN EN VOEG 'PROPAAN' GASLABEL TOE.

### Natuurlijk gas (nG)

Regelaar Verander regelaar naar NG gas configuratie en pas aan indien nodig.

Open brander/Grill Brander Verkrijg toegang en verander de injectors naar NG Injectors **(zie tabel Nominaal Gasverbruik)**

Oven Brander Verkrijg toegang en verander de injector naar NG Injector **(zie tabel Nominaal Gasverbruik)**

### LEKKAGETEST IN OVEREENSTEMMING MET GOEDGEKEURDE METHODES

Steek branders aan en pas deze aan.

PAS TYPEPLAATJE AAN EN VOEG 'NATUURLIJK' GASLABEL TOE.

### Reserveonderdelen

U vindt een lijst met de belangrijkste reserveonderdelen aan het einde van deze handleiding.

## 8 OPLOSSEN PROBLEMEN



ALLE SERVICE WERKZAAMHEDEN MOETEN WORDEN UITGEVOERD DOOR EEN ERKEND PERSOON.

### ALL BRANDERS

| STAAT                         | CONTROLEER   |
|-------------------------------|--|
| Waakvlam gaat niet aan        | Gastoevoer staat aan en gasdruk is correct<br>Verstopte waakvlammen<br>Aanpassingsschroef waakvlam |
| Waakvlam gaat regelmatig uit  | Grootte en positie van waakvlam  |
| Brander met gele vlam         | Primaire lucht en pas luchtafsluiting aan  |
| Vlammen uit opening branders  | Primaire lucht<br>Luchtafsluiting  |
| 'Knetteren' na uitzetten      | Primaire lucht<br>Luchtafsluiting  |
| Vlam brander is te groot      | Gasdruk  |
| Vertraagde ontsteking         | Waakvlam<br>Brander en openingen zijn schoon<br>Luchtafsluiting<br>Gasdruk                         |
| Vlam brandt terug via opening | Primaire lucht<br>Luchtafsluiting  |

### OVEN

| CONDITION                                      | CHECK                                |
|--|--------------------------------------|
| Onjuiste oventemperatuur                       | Oven thermostaat en positie regelaar |
| Branders gaat uit bij een bepaalde temperatuur | Thermostaat/omleiding                |

# 1 INSTALLATIONS- UND BEDIENUNGSANLEITUNG

## WARNUNGEN



FALSCHER BEDIENUNG, EINSTELLUNGEN, ÄNDERUNGEN, WARTUNG ODER PFLEGE KANN VERLETZUNGEN ODER DEN TOD VERURSACHEN. DIE BEDIENUNGSANLEITUNG MUSS VOR DER INSTALLATION, INBETRIEBNAHME ODER WARTUNG DIESES GERÄTS AUFMERKSAM GELESEN WERDEN.



DARF NUR VON EINER AUTORISIERTEN PERSON INSTALLIERT WERDEN, GEMÄSS AS 5601, DER KOMMUNALBEHÖRDE, GAS-, ELEKTRIZITÄTS-, ZUTREFFENDEN STATUTÄREN REGELN UND VORSCHRIFTEN.



AN EINEM LEICHT ZUGÄNGLICHEN ORT AUFBEWAHREN UND ANWEISUNGEN BEFOLGEN, WENN DER BENUTZER GAS RIECHT. DIESE INFORMATION SOLL DURCH KONSULTIERUNG DES LOKALEN GASLIEFERANTEN ERFRAGT WERDEN.



ZU IHRER SICHERHEIT GAS ODER ANDERE FLAMMBARE BEHÄLTER NICHT IN DER NÄHE DIESES GERÄTS ODER ANDERER GERÄTE AUFBEWAHREN.



DIESES GERÄT IST FÜR KOMMERZIELLE GASTRONOMISCHE ZWECKE GEDACHT UND WIRD SIGNIFIKANTE HITZE ENTWICKELN. HEISSE OBERFLÄCHEN VERURSACHEN VERBRENNUNGEN. EINE GEFAHREN- UND RISIKOABWÄGUNG MUSS VON DEN EIGENTÜMERN UND BENUTZERN UNTER BERÜCKSICHTIGUNG DESSEN DURCHGEFÜHRT WERDEN.



KEINE FLAMMBAREN FLÜSSIGKEITEN IN DER NÄHE DIESES GERÄTS AUFBEWAHREN.



KEINE AEROSOLE WÄHREND DES BETRIEBS IN DER NÄHE DIESES GERÄTS  
VERSPRÜHEN.



INSTALLATIONSANWEISUNGEN MÜSSEN BEFOLGT WERDEN.



WENN SIE GAS RIECHEN, SCHALTEN SIE DAS GERÄT AUS UND TRENNEN SIE ES  
VOM HAUPTGASANSCHLUSS. KONTAKTIEREN SIE IHREN GASLIEFERANTEN  
ODER EINE ANDERE AUTORISIERTE PERSON.



VOR DEM AUSSCHALTEN DER HAUPTGASZUFUHR DAS GERÄT UNTERSUCHEN,  
UM SICHERZUSTELLEN, DASS ALLE VENTILE IN DER „AUS“ POSITION SIND.

**BITTE DIESES NUTZERHANDBUCH ZUR SPÄTEREN REFERENZ BEIM GERÄT AUFBEWAHREN.**

## 2 EINLEITUNG

---

Danke, dass Sie sich für dieses Produkt entschieden haben und willkommen zu unserem immer größer werdenden Kundenkreis. Dieses Produkt wurde speziell dazu entwickelt, viele verschiedene Anwendungsgebiete zu bedienen, ist aus der besten Qualität gefertigt und gehört zu den besten Profigeräten.

Bitte lesen Sie das Nutzerhandbuch aufmerksam durch, um eine sichere und vertrauenswürdige Anwendung und Leistung Ihres Geräts zu gewährleisten.

Sollten Sie einmal eine Wartung benötigen, werden Sie von einem ausgebildeten und qualifizierten Wartungsnetzwerk betreut – das Größte verfügbare.

Wir sichern Ihnen jede Unterstützung zu und wünschen Ihrem Unternehmen viel Erfolg.

### 2.1 ALLGEMEIN

Der Herd wurde zu kommerziellen, gastwirtschaftlichen Zwecken entwickelt und beinhaltet eine große Anzahl Designelemente.

### 2.2 GARANTIE

Dieses Produkt unterliegt einer korrekten Installation, Bedienung, Wartung und Gerätepflege.

Die Garantie erstreckt sich nicht auf:

- Schäden, entstanden durch die Lieferung
- Schäden als Folge inkorrektur Installation.
- Schäden als Folge inkorrektur Bedienung.
- Schäden als Folge unautorisiertur Wartungen und Nutzung von nicht originalen Bauteilen.
- Probleme bei der Gaszufuhr
- Versagen auf Grund von unsachgemäßur Wartung
- Versagen als Folge von Manipulation, Entfernung oder Änderungen der Standardkontrolle oder der Sicherheitsvorkehrungen
- Wartung 'inoffiziell'
- Zustand, wie in den Händlerbestimmungen beschrieben und Zustand zum Kaufzeitpunkt

**Bitte achten Sie darauf, dass Sie das Modell und die Seriennummer der Einheit angeben.**

## 3 ALLGEMEINE INFORMATIONEN

---

### 3.1 INSPEKTION

Bitte überprüfen Sie die Einheit nach Erhalt. Wenn die Einheit beschädigt ist, kontaktieren Sie sofort den Spediteur und erheben Schadensersatzanspruch gegen ihn. Bewahren Sie das komplette Verpackungsmaterial auf, wenn Sie einen Schadensanspruch einreichen. Transportschäden fallen in die Verantwortung des Käufers und werden nicht von der Garantie gedeckt.

### 3.2 NUTZERHANDBUCH

Dieses Handbuch enthält wichtige Informationen zu Ihrer Sicherheit und der Installation, Benutzung, Pflege und Wartung dieses Geräts. Bitte lesen Sie das Handbuch aufmerksam durch und stellen Sie sicher, dass alle Benutzer des Geräts dessen Inhalt und die Sicherheitshinweise kennen. Sie müssen auch alle Gefahren und Risiken abwägen, die mit der Benutzung des Geräts oder dem Gerät selbst in Ihrem Umfeld zusammenhängen und müssen alle Benutzer darauf hinweisen.

### 3.3 INSTALLATION

Dieses Gerät muss von einer autorisierten Person installiert werden, gemäß den lokalen Regelungen als auch gemäß den lokalen Gas-, Elektrizitäts- und zutreffenden gesetzlichen Regelungen sowie Herstelleransprüchen.

Ein anerkanntes Gasabschluss-Ventil muss zwischen dem Hauptgasanschluss und dem Gerät angebracht werden. Um Wartungen des Geräts zu ermöglichen, ist es ratsam eine 3/4" Rohreinheit zwischen dem Gas-Aus und dem Gerät anzubringen

### 3.4 GASVERBINDUNGEN

Das Gerät muss von einer autorisierten Person an den Gastypen angeschlossen werden, der auf der Einheit angegeben ist. Der Gastyp wird gegenüber dem hinteren Gasanschluss auf dem Datenschild angezeigt. Verbinden und benutzen Sie nur den korrekten Gastypen.

### 3.5 GASDRUCK

Die autorisierte Person, die das Gerät installiert, muss sicherstellen, dass der genutzte Gasdruck gleich dem ist, der auf dem Wertschild angezeigt wird und dass genügend Gasvolumen vorhanden ist.

Die Einheit und ihr individuelles Abschluss-Ventil müssen von der Gaszufuhr abgeschlossen sein, während Drucktests am Rohrsystem der Gaszufuhr mit mehr als 1/2 PSIG (3.45 kPa) durchgeführt werden.

### 3.6 INBETRIEBNAHME

Die autorisierte Person, die die Ausrüstung installiert, muss das Gerät in Betrieb nehmen – Gasleckage, Funktionstest, Anpassungen und Einweisung des Eigentümers sind vorgeschriebene Notwendigkeiten.

Die Ausrüstung muss durch Schließen des individuellen, manuellen Aus-Ventils vom Gaszufuhrsystem isoliert werden, wenn ein Drucktest des Gaszufuhrsystems mit einem Druck von oder weniger als 1/2 PSIG (3.45 kPa) durchgeführt wird.

#### NOTIZ

Adäquate Vorrichtungen müssen errichtet werden, um Bewegungen des Geräts einzuschränken, ohne sich auf die Verbindung und den Not-Aus-Schalter oder dazugehörige Leitungen verlassen, um Bewegungen des Geräts einzuschränken.

Die Rückhaltevorrichtung sollte am Rahmen auf der Rückseite der Einheit angebracht werden.



## 4 SPEZIFIZIERUNGEN

### 4.1 INSTALLATION



DIESE AUSTRÜSTUNG MUSS VON EINER AUTORISIERTEN PERSON INSTALLIERT WERDEN, GEMÄSS DEN LOKALEN REGELUNGEN ALS AUCH GEMÄSS DEN LOKALEN GAS-, ELEKTRIZITÄTS- UND ZUTREFFENDEN GESETZLICHEN REGELUNGEN SOWIE HERSTELLERANSPRÜCHEN.

#### NOTIZ: DIE INSTALLATION IST DIE VERANTWORTUNG DES BESITZERS

**Gaszufuhrverbindung:** 3/4" BSP.

**Gasverbindungspunkt:** Für Grilleinheiten befindet sich der Gasanschluss auf der Rückseite der Einheit, 810 mm (32") über dem Boden und 46 mm (2") – 160 mm (6") von der linken Seite, je nach Modell.

**Gasanschluss:** Vorgeschriebene Voraussetzungen beinhalten Inbetriebnahme der Ausrüstung, Gasleckage-Test, Funktionstest und Anpassungen.

Alle Einheiten werden in der Fabrik getestet und eingestellt. Brenner und erste Ausführungen müssen jedoch am Installationsort getestet und eingestellt werden, wenn nötig.

| Modell    | Anz. Brenner |
|-----------|--------------|
| 7455.0905 | 3            |
| 7455.0915 | 3            |
| 7455.0900 | 2            |
| 7455.0910 | 2            |

**Installation Freiraum:** Der MINIMALE Freiraum von brennbaren Oberflächen 10" (254 mm) von den Seiten und 10" (254 mm) von hinten. Adäquater Freiraum muss auch zur Wartung verfügbar sein.

**Ausrichtung:** Sehen Sie auch ‚Freiraum über Ofengrund‘ oben.  
Um die Höhe der Beine einzustellen, um die Einheit am Boden auszurichten oder die Höhe geringfügig anzupassen, heben Sie die Front der Einheit an und stellen die Beine ein (achten Sie auf sichere Arbeitsweisen). Heben Sie auf die gleiche Weise die Rückseite an und stellen Sie die Beine ein. **LEGEN SIE DIE EINHEIT NICHT AUF DIE RÜCKSEITE. ACHTEN SIE DARAUFG, DASS DIE EINHEIT GERADE AUSGERICHTET IST.**

### 4.2 GASZUFUHRDRUCK

Sehen Sie Tabelle (A) für den Gasdruck unten. Um den Gasdruck zu verifizieren, benutzen Sie einen speziellen Stopfen für die Gasleitung oder Zündungsleitung. Die Brenner sollten mit einer maximalen Kapazität während der Druckverifizierung arbeiten.

Druckverifizierung: Schalten Sie alle anderen Gasgeräte in der Küche ebenfalls ein. Überprüfen Sie den Gasdruck auf der Druckanzeige mit der gesamten Ausrüstung auf ‚HI‘, dann schalten Sie alle anderen Geräte aus, außer den Brenner und überprüfen die Anzeige erneut.

### 4.3 NOMINAER GASVERBRAUCH

|                 |                |                               |              |         |
|-----------------|----------------|-------------------------------|--------------|---------|
|                 | I2H, I2E, I2E+ | I2 (43.46 – 45.3 MJ/m3 (0°C)) | I3+, I3B/P30 | I3B/P50 |
| Brenner (je) kW | 9.0            | 9.0                           | 7.5          | 7.5     |

**Hinweis:** Druckmesspunkt an der Gasdüse des oberen Teils befindet.

Tabelle (A) zeigt die Art des Gases für jedes Land in Europa.

| Item Name   | Charbroiler                       |          |          | Item No. | Manifold Pressure mbar | Burner Injectors | Single burner Heating Input (kw) | Total Heating Input (kw) |            |            |            |            |
|---|-----------------------------------|----------|----------|----------|------------------------|------------------|----------------------------------|--------------------------|------------|------------|------------|------------|
|   | Country of destination            | Category | Gas      |          |                        |                  |                                  | supply Pressure mbar     | 7455. 0905 | 7455. 0915 | 7455. 0900 | 7455. 0910 |
|   |                                   |          |          |          |                        |                  |                                  |                          |            |            |            |            |
| AT, BG, CZ, DK, EE, F I, GR, HR, HU, IS, IE , IT, LV, LT, NO, PT, RO, SK, SI, ES, SE, C H, TR, GB   | I2H                               | G20      | 20       | 20       | 228                    | 9.0              | 27                               | 27                       | 18         | 18         |            |            |
| DE, LU, PL  | I2E                               | G20      | 20       | 20       | 228                    | 9.0              | 27                               | 27                       | 18         | 18         |            |            |
| BE, FR  | I2E+                              | G20      | 20       | 20       | 228                    | 9.0              | 27                               | 27                       | 18         | 18         |            |            |
| NL  | I2 (43.46 – 45.3 MJ / m3 (0 ° C)) | G25.3    | 25       | 25       | 240                    | 9.0              | 27                               | 27                       | 18         | 18         |            |            |
| AT, CH, DE, SK  | I3B/P                             | G30      | 50       | 50       | 121                    | 7.5              | 22.5                             | 22.5                     | 15         | 15         |            |            |
| AT, CH, CZ, DE, DK, F I, FR, GB, GR, IT, NL , NO, SE  | I3B/P                             | G30      | 30       | 30       | 138                    | 7.5              | 22.5                             | 22.5                     | 15         | 15         |            |            |
| BE, CH, CZ, ES, FR, G B, GR, IT, PT   | I3+                               | G30/G31  | 28-30/37 | 28-30    | 138                    | 7.5              | 22.5                             | 22.5                     | 15         | 15         |            |            |
| <b>This appliance shall be installed in conformity with the current regulations and used only in a well-ventilated location. Consult the instructions before installing and using this appliance.</b> |                                   |          |          |          |                        |                  |                                  |                          |            |            |            |            |

### 4.4 TESTPUNKTDRUCK

Der Drucktestpunkt befindet sich auf der Gasverteilung. Die Gasverteilung und der Drucktestpunkt sind zugänglich, indem man die Kontrollknöpfe des Gasventils und das Frontpanel entfernt. Der Testpunktdruck wird in der Tabelle der nominalen Gasaufnahme angezeigt.

### 4.5 BELÜFTUNG UND LUFTZUFUHR

Alle Gasbrenner und Steuerelemente benötigen ausreichend Luft. Für eine optimale Leistung und zu Ihrer Sicherheit, ist es ESSENZIELL, dass das Gerät in der installierten Position eine korrekte Luftzufuhr und Ventilation hat und dass eine korrekte Belüftung und ein Luftgleichgewicht bestehen. Die korrekte Installation und Übereinstimmung mit allen behördlichen und anderen Anforderungen ist die Verantwortlichkeit des Käufers/Eigentümers.

Bitte beachten Sie, dass eine starke Abfuhrleitung ein Vakuum kreierte, wenn nicht ausreichend frische Luft zur Verfügung steht. Die Menge der ausgestoßenen Luft muss mit einer gleichen Menge Frischluft ersetzt werden.

Die Luftzufuhr zum Gerät darf nicht blockiert oder eingeschränkt sein (z.B. große Objekte sollten nicht vor dem Gerät platziert werden). Der Rauchabzug darf niemals bedeckt oder auf jegliche Art behindert werden.

## 5 BEDIENUNGSANWEISUNGEN

### 5.1 ZÜNDUNGSHINWEISE



GERÄT NICHT BENUTZEN, WENN ES NICHT VON EINER AUTORISIERTEN PERSON INSTALLIERT UND IN BETRIEB GENOMMEN WURDE.



VOR DEM ANSCHALTEN DER HAUPTGASZUFUHR ÜBERPRÜFEN, OB ALLE VENTILE IN DER „AUS“ POSITION SIND.



DIESES GERÄT IST FÜR KOMMERZIELLE ZWECKE GEDACHT UND WIRD SIGNIFIKANTE HITZE ENTWICKELN. HEISSE OBERFLÄCHEN VERURSACHEN VERBRENNUNGEN. EINE GEFAHREN- UND RISIKOABWÄGUNG MUSS VON DEN EIGENTÜMERN UND BENUTZERS UNTER BERÜCKSICHTIGUNG DESSEN DURCHGEFÜHRT WERDEN.

**NOTIZ:** Stellen Sie sicher, dass die Gaszufuhr zum Gerät auf AN steht.

**WARNUNG:** Wenn die offenen Deckenbrenner gegenüber der Rückabdeckung oder der Seite einer Grillplatte bei hohen Temperaturen genutzt werden und mit großen Kochutensilien (z.B. Töpfe, Pannen, etc.) bedeckt sind, kann austretende Hitze Verfärbungen oder Veränderungen der Metalloberfläche hervorrufen.

Bevor sie versuchen das Gerät anzuzünden, sollte der Deckel, wenn installiert, geöffnet werden. Achten Sie darauf, dass alle Ventile geschlossen sind, bevor Sie die Gaszufuhr anschalten.

### 5.2 OFFENE DECKENBRENNER

#### Zündflamme

- Starten Sie von der AUS● Position, drücken Sie den Kontrollknopf und drehen Sie auf die ZÜNDEN ★ Position.
- Drücken Sie den Knopf und zünden Sie die Flamme mit einem Flammgerät an – halten Sie den Knopf komplett gedrückt für 15 Sekunden, nachdem die Flamme zündet.
- Lassen Sie den Knopf los und überprüfen Sie, ob die Zündflamme an bleibt. Wenn die Zündflamme ausgeht, wiederholen Sie den Zündvorgang.

#### Zündung mit offenem Brenner

- Reduzieren Sie leicht den Druck auf den Knopf und drehen Sie zum gewünschten Flammenlevel.
- Wenn das automatische Ventil anzeigt, dass die Zündung flammt, öffnet sich der Gasfluss zum Hauptbrenner.

#### Zündungs-Standby Position

- Um den Hauptbrenner auszuschalten und die Zündung auf AN zu halten, reduzieren Sie leicht den Druck auf den Kontrollknopf und drehen Sie auf die ZÜNDEN ★ Position.

#### Ausschalten/Zünden AUS

- Reduzieren Sie leicht den Druck auf den Kontrollknopf und drehen Sie ihn in die AUS ● Position.

NOTIZ: Wenn die Zündungsflamme aus Versehen ausgegangen ist, geht das Programm bezüglich eines Versagens der Flamme an und die Gaszufuhr zum Hauptbrenner wird unterbrochen. Es ist dann notwendig, die Zündung erneut zu entflammen, indem man die Prozedur oben befolgt.

## 5.3 GRILLBRENNER

### Zündflamme

- Drücken Sie von der AUS ● Position aus den Kontrollknopf und drehen Sie auf die PILOT ★ Position.
- Drücken Sie den Kontrollknopf und stecken Sie das Flammgerät durch ein Loch von ca. 0.6" Durchmesser, um die Zündung zu starten. Die Zündung befindet sich 7" im Loch. Sehen Sie in das Zündungsfenster, um sicherzustellen, dass die Zündung an ist. (Die Zündflamme ist durch das Frontpanel sichtbar). Halten Sie den Knopf ganze 15 Sekunden gedrückt, nachdem die Zündung an ist.
- Lassen Sie den Knopf los und überprüfen Sie die Zündflamme. Wenn die Zündung nicht an geblieben ist, wiederholen Sie den Zündungsprozess.

### Grillbrenner Zündung

- Drücken Sie leicht den Kontrollknopf und drehen Sie ihn zum gewünschten Level.
- Wenn das automatische Ventil spürt, dass die Zündung an ist, wird die Gaszufuhr zum Hauptbrenner geöffnet.

### Zündung Standby Position

- Um den Hauptbrenner auszuschalten und die Zündung auf AN zu lassen, reduzieren Sie leicht den Druck auf den Kontrollknopf und drehen Sie ihn auf ZÜNDUNG ★ Position.

### Ausschalten/ Zündung aus

- Reduzieren Sie leicht den Druck auf den Kontrollknopf und drehen Sie ihn auf die AUS ● Position.

**NOTIZ:** Wenn die Zündflamme aus Versehen ausgegangen ist, geht das Programm bezüglich eines Versagens der Flamme an und die Gaszufuhr zum Hauptbrenner wird unterbrochen. Es ist dann notwendig, die Zündung erneut zu entflammen, indem man die Prozedur oben befolgt.

## 5.4 OFENBRENNER



**WARNUNG: STELLEN SIE SICHER, DASS DIE ZÜNDUNG AN IST, BEVOR SIE DAS THERMOSTAT ANSCHALTEN. DIE ZÜNDFLAMME KANN DURCH DAS GUCKLOCH ÜBERPRÜFT WERDEN.**

- Bevor Sie versuchen das Gerät anzuzünden, muss der Deckel, wenn installiert, geöffnet sein.
- Achten Sie darauf, dass das Thermostat auf dem Kontrollpanel ausgeschaltet ist.
- Entfernen Sie das untere Panel, drücken Sie den schwarzen Knopf des Sicherheitsventils für 15 bis 30 Sekunden. Stecken Sie das Flammgerät durch eine Öffnung, um die Zündung zu starten (ungefähr 100 mm hinter der Öffnung). Warten Sie 5 bis 10 Sekunden, bevor Sie Ihren Finger vom schwarzen Knopf nehmen. Wiederholen Sie obengenannten Prozess erneut, wenn die Zündflamme nicht an bleibt.
- Wenn die Zündflamme an ist, schalten Sie das Thermostat auf die gewünschte Temperatur 121°C bis 287°C (250 – 550°F). Sie können die Flamme des Ofenbrenners von einer Öffnung hinter dem unteren Panel kontrollieren. Sie dürfen das untere Panel jetzt entfernen.
- Um den Ofen abzuschalten, drehen Sie das Thermostat im Uhrzeigersinn auf die „AUS“ Position. Der Ofenbrenner sollte sofort ausgehen. Eine komplette Abschaltedauer von 5 Minuten sollte eingehalten werden, bevor die Einheit wieder angezündet wird.

### Anpassung der Hauptbrenner

- Korrekte Flammeneinstellungen der Hauptbrenner werden erreicht, indem die Schrauben an den Luftschächten gelöst werden und wie folgt vorgegangen wird:
- Die Luftschächte sollten erst komplett geöffnet werden für eine scharfe blaue Flamme, dann langsam schließen, bis die Flamme sanft ist und ein minimales Gelb an den Spitzen zeigt.

## 6 PFLEGE



**KONTAKTIEREN SIE DIE FABRIK, DEN FABRIKSVORSTEHER ODER EINE LOKALE DIENSTSTELLE, UM PFLEGE UND REPARATUREN DURCHZUFÜHREN.**



**BENUTZEN SIE NUR GEEIGNETE CHEMIKALIEN UND BEACHTEN SIE ALLE SICHERHEITSHINWEISE DES HERSTELLERS FÜR EINE SICHERE HANDHABUNG UND NUTZUNG.**

### 6.1 DEN GRILL FETTEN (NUR ZUTREFFEND, WENN EIN GRILL VORHANDEN IST)

**NOTIZ:** Die Oberfläche des Grills hat eine Schutzschicht, die bei der Produktion angebracht wurde. Entfernen Sie diese durch Waschen mit heißem Wasser und einer milden Lösung, bis der Grill sauber ist.

Fetten Sie den Grill, indem Sie eine dünne Schicht Öl auf der gesamten Oberfläche des Grills anbringen. Entfernen Sie überflüssiges Öl mit einem Tuch.

Zünden Sie den Grillbrenner an und stellen Sie ihn auf die niedrigste Stufe. Benutzen Sie den Grill für ungefähr 20 Minuten und wischen Sie dann das Öl auf. Wiederholen Sie den Prozess drei Mal.

**WICHTIG: Benutzen Sie nur niedrige Temperaturen, wenn Sie den Grill fetten.**

**NOTIZ:** Die Grilloberfläche wird sich von der Hitze verfärben. Verfärbungen werden nicht die Funktionsweise der Grilloberfläche beeinflussen und der Grill ist dadurch nicht kaputt.

Die Grilloberfläche sollte mit heißem Wasser und einer Lösung gereinigt werden.

Normalerweise, wenn korrekt gepflegt, muss der Grill nicht erneut gefettet werden. Wenn der Grill jedoch überhitzt wurde und Reste auf der Oberfläche haften, kann es notwendig sein, den Grill erneut zu fetten.

Kohle und Fett beeinflussen die Grilleistung und sollten wie folgt entfernt werden:

**Nach jeder Nutzung,** reinigen Sie den Grill gründlich mit einem scharfen Grillkratzer und wischen Sie die Reste auf.

**NOTIZ:** Leeren Sie den Fettauffang und reinigen Sie diesen.

**Wöchentlich,** reinigen Sie die Grilloberfläche gründlich mit einem Grilltuch, während die Oberfläche noch warm ist (nicht heiß). Nach der Reinigung stellen Sie sicher, dass sich keine Lösungen/Chemikalien mehr auf der Oberfläche befinden. Die Grilloberfläche wird mit einem dünnen Ölfilm bedeckt, um Rost zu verhindern.

**Notiz:** Die Grillplatte ist aus Stahl gefertigt und kann einfach zerkratzt werden, wenn man leichtsinnig Kratzer und Spatel benutzt.

## 6.2 ROSTFREIEN STAHL REINIGEN

Wischen Sie regelmäßig mit heißem Wasser und einer Lösung über die Oberfläche. Waschen Sie den gereinigten Bereich mit einem nassen Schwamm und sauberem Wasser ab, um Schlieren zu verhindern. Befolgen Sie den Prozess und waschen Sie immer nur einen kleinen Bereich auf einmal, um chemische Rückstände und Schlieren zu verhindern.

Rostfreier Stahl kann sich bei Überhitzung verfärben. Diese Flecken können normalerweise entfernt werden, wenn man ein passendes Puder oder eine Paste benutzt. Um starke Rückstände oder Fett und Öl abzukratzen, benutzen Sie nur Holz- oder Kunststoffgeräte, wenn nötig.

**Notiz:** Benutzen Sie niemals Stahlwolle, um rostfreien Stahl zu reinigen.

**Notiz:** Es können Schäden auftreten, wenn Chemikalien genutzt wurden, die nicht für rostfreien Stahl geeignet sind.

## 6.3 OFEN INNENRAUM (EMAILLE)

**Notiz:** Entfernen Sie alle Ofengitter und Führungen und reinigen Sie diese separat mit einer passenden Lösung und warmem Wasser.

Der emaillierte Innenraum des Ofens sollte mit einem passenden Ofenreiniger gereinigt werden.

**Notiz:** Die Gitter sind dazu gemacht, Standard 18" x 26" Aluminium Bleche zu halten, nicht zum direkten Kontakt mit Lebensmitteln geeignet.

## 6.4 OFFENE DECKENBRENNER

**NOTIZ:** Spritzer sind die Hauptursache bei Leistungsproblemen der offenen Deckenbrenner. Spritzer können die Gaszufuhr blockieren, was dazu führt, dass die Brenner ineffizient funktionieren oder in schlimmen Fällen gar nicht mehr funktionieren. Entfernen Sie alle Spritzer, wenn diese auftreten.

Um die Brenner zu reinigen, entfernen Sie die Brenndeckel und reinigen Sie sie mit einer passenden Lösung und warmem Wasser. Wenn die Brennzugänge blockiert sind, reinigen Sie diese mit einer festen Bürste. Platzieren Sie den Brenndeckel wieder auf dem Brenner, zünden Sie diesen und überprüfen Sie, ob die Flamme gleichmäßig ist und aus allen Zugängen austritt (das trocknet den Brenndeckel).

Wenn einzelne Zugänge blockiert bleiben, entfernen Sie den Brenndeckel und den ganzen Brenner und reinigen Sie diesen gründlich mit einer passenden Lösung und heißem Wasser. Gründlich trocknen lassen, sicherstellen, dass die Luftzufuhr komplett geöffnet ist, wiedereinsetzen (achten Sie darauf, dass der Injektor im Brenner-Venturi platziert ist), anzünden und die Flammenform überprüfen.

**Notiz:** Die Brennerflamme sollte einheitlich blau sein. Wenn sich gelbe Flammen zeigen, kann das ein Zeichen dafür sein, dass Fett und Dreck im Brennerzugang sind. Entfernen und reinigen Sie den Brenner nach oben genannter Methode.

## 6.5 UNTERSETZER

Die Untersetzer sollten vor der Reinigung vom Gerät entfernt werden.

Um die Untersetzer zu reinigen, diese mit warmem Wasser und einer passenden Lösung unter Verwendung eines weichen Tuchs reinigen und dann trocknen lassen.

Für stark verschmutzte Untersetzer benutzen Sie einen passenden Ofenreiniger und eine abriebfeste Bürste.

## 7 WARTUNG



**KONTAKTIEREN SIE DIE FABRIK, DEN FABRIKSVORSTEHER ODER EINE LOKALE DIENSTSTELLE UM PFLEGE UND REPARATUREN DURCHZUFÜHREN.**



**ZU IHRER SICHERHEIT MÜSSEN ALLE WARTUNGEN VON EINER AUTORISIERTEN PERSON UND UNTER NUTZUNG VON ORIGINALTEILEN AUSGEFÜHRT WERDEN.**



**ÜBERPRÜFEN SIE ALLE ANBAUTEILE, ROHRE UND VERBINDUNGEN AUF LECKAGE GEMÄSS DES ANERKANNTEN GAS-LECKAGE-TESTS. BENUTZEN SIE KEINE FLAMME.**

**Notiz: Wenn Sie den Gasdruck überprüfen, stellen Sie sicher, dass alle anderen Geräte auf der gleichen Leitung „AN“ sind.**

### 7.1 EMPFOHLENE WARTUNG

Es wird empfohlen, dass Ihr Gerät von einer autorisierten Person gewartet wird. Das dient Führungszwecken und kann stark variieren, basierend auf der Nutzung des Geräts und der Betriebspflege. Vorgeschriebene Wartungsarbeiten beinhalten:

- Funktionstest aller Komponenten und Reinigung sowie Einstellung, wenn notwendig.
- Inspektion und Reinigung aller Ventile und Schmiermittel mit einem anerkannten Schmiermittel.
- Inspektion aller Gasleitungen.
- Überprüfung und Einstellung eines spezifischen Gasdrucks.
- Leckage-Test.
- Kompletter Funktions-, Leistungs- und Sicherheitstest.

### 7.2 WARTUNGSINFORMATIONEN

Um die Gasventile zu erreichen, entfernen Sie die Kontrollknöpfe am Frontpanel.

Um ein Gasventil zu entfernen, trennen Sie das Gasventil von der Verteilerleitung und entfernen Sie das Ventil.

Um die Thermoelemente des Ofenbrenners zu erreichen, entfernen Sie den Ofenboden.

### 7.3 OFFENE BRENNER UND DECKENBRENNER-EINSTELLUNGEN

#### Leckage-Test

- Stellen Sie sicher, dass sich alle Ventile in der AUS Position befinden.
- Schalten Sie das Hauptgasventil an.
- Zünden Sie alle Zündungen an.
- Führen Sie einen Leckage-Test bei allen Ventilen unter Nutzung der anerkannten Methode durch.
- Korrigieren Sie eine mögliche Leckage und überprüfen Sie erneut.
- Schalten Sie alle Ventile aus und setzen Sie die Thermostatwahl auf ‚AUS‘.

#### Testpunktdruck

Der Drucktestpunkt des offenen Deckenbrenners und Grills befindet sich auf dem Verteiler. Der Gasverteiler und Drucktestpunkt können erreicht werden, indem die Gasventil-Kontrollknöpfe und das Front-Panel entfernt werden. Der Testpunktdruck wird in der Tabelle mit nominalem Gasverbrauch angezeigt und ist für zwei offene Deckenbrenner eingestellt, die mit maximalen Einstellungen arbeiten.

### Brennereinstellung

Die offenen Deckenbrenner, Grill- und Ofenbrenneröffnungen sind fixiert und können nicht eingestellt werden. Die spezifizierte Gasrate wird erreicht, wenn der Druck der Gaszufuhr und der Testpunktdruck korrekt sind.

Eine bestimmte blaue Flamme über den gesamten Nutzbereich des Brenner wird bei voller Leistung erreicht, wenn die Luftzufuhr korrekt eingestellt ist und die Luftgitter korrekt angebracht sind.

Wenn die Flamme gelb und wabernd ist, muss der Grund herausgefunden werden.

## 7.4 OFENKONTROLL-EINSTELLUNGEN UND ANPASSUNGEN

### Testpunktdruck

Der Ofenbrenner Testpunktdruck befindet sich auch auf dem Verteiler auf der oberen Hälfte. Der Testpunktdruck wird in der Tabelle des nominalen Gasverbrauchs angezeigt.

## 7.5 KONVERTIERUNGSANWEISUNGEN



**MUSS VON EINER AUTORISIERTEN PERSON AUSGEFÜHRT WERDEN.**



**STELLEN SIE SICHER, DASS DAS GAS ISOLIERT IST, WÄHREND SIE KONVERTIERUNGSARBEITEN DURCHFÜHREN. FÜHREN SIE EINEN LECKAGE-TEST AUS, BEVOR SIE DEN BRENNER ANZÜNDEN UND KALIBRIEREN.**

### Auf propangas

Regulator

Wechseln Sie den Regulator zur PROPAN Gas Konfiguration und stellen Sie diesen ein, wenn nötig.

Offener Brenner / Grillbrenner

Wechseln Sie die Injektoren auf PROPAN Gas Injektoren  
**(siehe Tabelle nomineller Gasverbrauch)**

Ofenbrenner

Wechseln Sie den Injektor auf einen PROPAN Gas Injektor  
**(siehe Tabelle nomineller Gasverbrauch)**

LECKAGE-TEST GEMÄSS ANERKANNTER METHODE

Brenner anzünden und einstellen.

DATENSCHILD ANPASSEN UND ‚PROPAN‘ GAS SCHILD ANBRINGEN.

### Auf naturgas (ng)

Regulator

Wechseln Sie den Regulator zur NG Konfiguration und stellen Sie diesen ein, wenn nötig.

Offener Brenner / Grillbrenner

Wechseln Sie die Injektoren auf NG Injektoren  
**(siehe Tabelle nomineller Gasverbrauch)**

Ofenbrenner

Wechseln Sie die Injektoren auf NG Injektoren  
**(siehe Tabelle nomineller Gasverbrauch)**

LECKAGE-TEST GEMÄSS ANERKANNTER METHODE

Brenner anzünden und einstellen.

DATENSCHILD ANPASSEN UND ‚NATURGAS‘ SCHILD ANBRINGEN.

### Ersatzteile

Eine Liste der Hauptersatzteile wird am Ende dieses Benutzerhandbuchs angezeigt.



## 8 PROBLEMBEHANDLUNG



**ALLE WARTUNGSARBEITEN MÜSSEN VON EINER AUTORISIERTEN PERSON DURCHGEFÜHRT WERDEN.**

### ALL BRENNER

| ZUSTAND                          | KONTROLLE   |
|----------------------------------|---|
| Zündung startet nicht            | Gaszufuhr ist an und Gasdruck ist korrekt<br>Blockierte Zündung<br>Schraube zur Einstellung der Zündung |
| Zündung geht oft aus             | Zündungsflamme und Position   |
| Gelbe Brennerflamme              | Primäre Luftzufuhr und Luftgitter anpassen  |
| Flamme hebt Brennerzugänge       | Primäre Luftzufuhr<br>Luftgitter  |
| 'Ploppen' nach dem Ausschalten   | Primäre Luftzufuhr<br>Luftgitter  |
| Brennerflamme zu groß            | Gasdruck  |
| Verzögerte Zündung               | Zündungsflamme<br>Brenner und Zugänge sauber<br>Luftgitter<br>Gasdruck                                  |
| Flamme brennt zurück zur Öffnung | Primäre Luftzufuhr<br>Luftgitter  |

### ÖFEN

| ZUSTAND                                       | KONTROLLE                                 |
|---|---|
| Falsche Ofentemperatur                        | Ofenthermostat und Kontrolle Wahlposition |
| Brenner geht aus bei eingestellter Temperatur | Thermostat/Bypass                         |

# 1 MANUEL D'INSTALLATION ET D'UTILISATION

## AVERTISSEMENTS



UNE MAUVAISE INSTALLATION, AJUSTEMENT, MODIFICATION, SERVICE OU ENTRETIEN PEUVENT CAUSER DES BLESSURES OU LA MORT. LE MANUEL D'INSTRUCTIONS DOIT ÊTRE LU ATTENTIVEMENT AVANT D'ÊTRE INSTALLÉ, UTILISÉ OU DE FAIRE RÉPARER CET APPAREIL



DOIT ÊTRE INSTALLÉ SEULEMENT PAR UNE PERSONNE AGRÉE CONFORMÉMENT À L'AS 5601, AUTORITÉ LOCALE, GAZ, ÉLECTRICITÉ, TOUTS RÈGLEMENTS ET EXIGENCES DU FABRICANT APPLICABLES.



PLACER DANS UN EMPLACEMENT PROÉMINENT, INSTRUCTIONS À SUIVRE DANS L'ÉVENTUALITÉ OU L'UTILISATEUR SENTIRAIT DU GAZ. CETTE INFORMATION EST OBTENUE PAR CONSULTATION DU FOURNISSEUR DE GAZ LOCAL.



POUR VOTRE SÉCURITÉ NE PAS STOCKER OU UTILISER DE L'ESSENCE OU D'AUTRES VAPEURS OU LIQUIDES INFLAMMABLES À PROXIMITÉ DE CET OU TOUT AUTRE APPAREIL



CET APPAREIL EST CONÇU POUR DES FINS DE RESTAURATION COMMERCIALE ET GÉNÈRE DE LA CHALEUR SIGNIFICATIVE. LES SURFACES CHAUDES PEUVENT CAUSER DES BRÛLURES. UNE ÉVALUATION DU DANGER DES RISQUES DOIVENT ÊTRE ENTREPRISES PAR LES PROPRIÉTAIRES ET TOUS LES EXPLOITANTS AU COURANT DE CES DERNIERS.



NE PAS STOCKER OU UTILISER DES LIQUIDES INFLAMMABLES PRÈS DE CET APPAREIL.



NE PAS VAPORISER DES AEROSOLS PRES DE CET APPAREIL  
LORSQU'IL EST EN MARCHÉ.



DES ESPACES D'INSTALLATION COMME SPECIFIE DOIVENT ETRE RESPECTE.



SI VOUS SENTEZ DU GAZ, COUPER LE MOTEUR ET LA VALVE D'ALIMENTATION  
DE GAZ PRINCIPALE À L'UNITÉ. CONTACTEZ VOTRE FOURNISSEUR DE GAZ OU  
UNE PERSONNE AUTORISÉE.



AVANT D'ALLUMER L'ALIMENTATION PRINCIPALE DE GAZ,  
VERIFIER L'UNITÉ POUR ETRE CERTAIN QUE TOUTES LES VANNES  
SOIENT SUR POSITION "OFF".

**VEUILLEZ CONSERVER CE MANUEL POUR CONSULTATION FUTURE  
PAR TOUS LES OPERATEURS.**

## 2 INTRODUCTION

---

Merci d'avoir choisi ce produit et nous vous accueillons dans le cercle de notre clientèle sans cesse croissante. Ce produit a été spécialement conçu pour répondre à un large éventail d'applications et représente la meilleure qualité et des équipements de haute valeur.

Veuillez lire attentivement le manuel d'instructions pour vous assurer d'un fonctionnement et d'une performance sûre et fiable de votre équipement.

Au cas où vous en auriez besoin, vous serez pris en charge par un personnel formé et qualifié de service réseau - le plus grand disponible.

Nous vous assurons de tout notre soutien et vous souhaitons tout le succès dans votre entreprise.

### 2.1 GENERAL

La gamme est conçue à des fins de restauration commerciale et intègre un large éventail de caractéristiques de conception.

### 2.2 GARANTIE

Ce produit est soumis à une installation, un fonctionnement, une maintenance et un entretien correct de l'équipement.

La garantie ne couvre pas:

- Les dommages causés lors de l'expédition
- Les dommages à la suite d'une mauvaise installation.
- Les dommages à la suite d'un mauvais fonctionnement
- Les dommages causés par le service et l'utilisation de pièces non d'origine non autorisée
- Les problèmes d'approvisionnement en gaz pour l'équipement
- Le défaut résultant d'un mauvais entretien.
- Le défaut à la suite d'altération, la suppression ou la modification de tout dispositif de contrôle ou de sécurité pré-réglée
- Service 'Après les heures'
- Les conditions telles que définies dans les termes et conditions de vente du concessionnaire

**Veuillez-vous assurer de citer le modèle et numéro de série de l'appareil.**

## 3 INFORMATION GENERALE

---

### 3.1 INSPECTION

Veillez inspecter l'unité à la réception. Si l'appareil est endommagé, contactez immédiatement le transporteur et déposer une réclamation auprès d'eux. Conservez tous les matériaux d'emballage au moment du dépôt d'une réclamation. Les réclamations de dommages de marchandises sont à la charge de l'acheteur et ne sont pas couverts par la garantie.

### 3.2 MANUEL D'UTILISATION

Ce manuel contient des informations importantes pour votre sécurité et l'installation, le fonctionnement, l'entretien et le service de cet équipement. Veillez lire attentivement le manuel et assurez-vous que tous les opérateurs pour l'équipement sont au courant du contenu et des exigences de sécurité. Vous devez également évaluer tous les dangers et les risques associés à l'exploitation de l'équipement dans votre environnement et informer tous les opérateurs de ces derniers.

### 3.3 INSTALLATION

Cet équipement doit être installé par une personne agréée conformément aux codes locaux ainsi qu'au codes de gaz, d'électricité locaux, toutes dispositions légales applicables et les exigences du fabricant.

Un robinet d'arrêt du gaz agré doit être installé entre le système de tuyauterie de gaz principal et l'appareil. Pour faciliter l'entretien de l'appareil, il est conseillé d'installer un «tuyau d'union 3/4 entre la vanne d'arrêt du gaz et l'équipement.

### 3.4 RACCORDEMENT AU GAZ

L'appareil doit être relié par une personne agréée pour type de gaz spécifié sur l'unité. Le type de gaz est indiqué à côté du point de raccordement de gaz arrière et sur la plaque signalétique. Connecter et utiliser uniquement le bon type de gaz.

### 3.5 LA PRESSION DU GAZ

La personne autorisée à installer cet équipement doit veiller à ce que la pression de service de gaz soit la même que celle indiquée sur la plaque signalétique et que le volume du gaz soit suffisant.

L'unité et son robinet d'arrêt doit être déconnecté du système de tuyauterie d'alimentation en gaz pendant tout test de pression du système de tuyauterie d'alimentation en gaz à des pressions de test supérieures à 1/2 PSIG (3,45 kPa)

### 3.6 MISE EN SERVICE

La personne autorisée à installer cet équipement doit commissionner l'équipement - fuite de gaz, contrôle opérationnel, ajustements et instructions du propriétaire sur l'utilisation de l'équipement sont des exigences prescrites.

L'équipement doit être isolé du système de tuyauterie d'alimentation en gaz en fermant son robinet manuel individuel d'arrêt pendant tout test de pression du système de tuyauterie d'alimentation en gaz à des pressions égales ou inférieures à 1/2 PSIG (3,45 kPa)

#### AVIS

Des moyens adéquats doivent être prévus pour limiter le mouvement de l'appareil sans dépendre du connecteur et du dispositif de déconnexion rapide ou sa tuyauterie associée pour limiter le mouvement de l'appareil.

Les moyens de retenue doivent être fixés à un élément de cadre à l'arrière de l'appareil.

## 4 SPECIFICATIONS

### 4.1 INSTALLATION



CET APPAREIL DOIT ÊTRE INSTALLÉ PAR UNE PERSONNE AGRÉÉE CONFORMÉMENT AU CODE DE SÉCURITÉ DE GAZ LOCAL, AUTORITÉ LOCALE, GAZ, ÉLECTRICITÉ, TOUT RÉGLEMENT EN VIGUEUR ET EXIGENCES DU FABRICANT.

**NOTE: L'INSTALLATION EST DE LA RESPONSABILITÉ DU PROPRIÉTAIRE**

**Entrée Raccordement du Gaz:** 3/4" BSP.

**Point de raccordement au gaz:** Pour les unités standards, le point de raccordement de gaz est situé à l'arrière de l'unité 810 mm (32 ") au-dessus du sol et 46 mm (2") - 160 mm (6 ") du côté de la main gauche, selon le modèle

**Raccordement du Gaz:** Les exigences prescrites comprennent, la mise en service de l'équipement, les tests de fuite de gaz, la vérification et les ajustements opérationnels.

Toutes les unités sont testées et réglées à l'usine; cependant, les brûleurs et les pilotes doivent être vérifiés à l'emplacement d'installation et ajustés si nécessaire.

| Modèle    | Qté Brûleurs |
|-----------|--------------|
| 7455.0905 | 3            |
| 7455.0915 | 3            |
| 7455.0900 | 2            |
| 7455.0910 | 2            |

**Dégagement d'installation:** Le dégagement minimal de combustible et des surfaces incombustibles est de 10" (254 mm) sur les côtés et 10" (254 mm) à l'arrière. Un dégagement adéquat doit également être fourni pour le service

**Nivellement:** Voir aussi "Dégagement Four de base" ci-dessus. Pour ajuster les pieds pour niveler l'appareil au sol et / ou ajuster légèrement la hauteur de l'unité, soulever l'avant de l'appareil et ajuster les pieds (assurer des pratiques de travail sécuritaires). De même, soulever l'arrière et ajuster les jambes. **NE PAS POSER L'UNITÉ SUR LE DOS. ASSUREZ-VOUS QUE L'APPAREIL EST NIVEAU.**

### 4.2 PRESSION D'ALIMENTATION EN GAZ

Reportez-vous au tableau (a) pour la pression de gaz pour ci-dessous. Pour vérifier la pression du gaz, utiliser la prise spéciale sur la conduite de gaz ou de la ligne de brûleur du pilote. Le brûleur(s) devrait fonctionner à pleine capacité lors de la vérification de la pression.

La vérification de la pression: allumez aussi tous les autres équipements de gaz dans la cuisine. Vérifier la pression du gaz sur le cadran de la jauge de pression avec tous les équipements sur "hi", puis éteignez tout autre équipement, sauf la gamme et vérifier à nouveau.

### 4.3 CONSOMMATION DE GAZ NOMINALE

|                     |                |                               |              |         |
|---------------------|----------------|-------------------------------|--------------|---------|
|                     | I2H, I2E, I2E+ | I2 (43.46 – 45.3 MJ/m3 (0°C)) | I3+, I3B/P30 | I3B/P50 |
| Brûleur (Chaque) kW | 9.0            | 9.0                           | 7.5          | 7.5     |

**Remarque:** point de test de pression est situé au niveau du collecteur de gaz de la partie supérieure

Table (A) indique le type de gaz pour chaque pays en Europe

| Item Name   | Charbroiler                       |          |          | Item No. | Manifold Pressure mbar | Burner Injectors | Single burner Heating Input (kw) | Total Heating Input (kw) |            |            |            |            |
|---|-----------------------------------|----------|----------|----------|------------------------|------------------|----------------------------------|--------------------------|------------|------------|------------|------------|
|   | Country of destination            | Category | Gas      |          |                        |                  |                                  | supply Pressure mbar     | 7455. 0905 | 7455. 0915 | 7455. 0900 | 7455. 0910 |
|   |                                   |          |          |          |                        |                  |                                  |                          |            |            |            |            |
| AT, BG, CZ, DK, EE, F I, GR, HR, HU, IS, IE , IT, LV, LT, NO, PT, RO, SK, SI, ES, SE, C H, TR, GB   | I2H                               | G20      | 20       | 20       | 228                    | 9.0              | 27                               | 27                       | 18         | 18         |            |            |
| DE, LU, PL  | I2E                               | G20      | 20       | 20       | 228                    | 9.0              | 27                               | 27                       | 18         | 18         |            |            |
| BE, FR  | I2E+                              | G20      | 20       | 20       | 228                    | 9.0              | 27                               | 27                       | 18         | 18         |            |            |
| NL  | I2 (43.46 – 45.3 MJ / m3 (0 ° C)) | G25.3    | 25       | 25       | 240                    | 9.0              | 27                               | 27                       | 18         | 18         |            |            |
| AT, CH, DE, SK  | I3B/P                             | G30      | 50       | 50       | 121                    | 7.5              | 22.5                             | 22.5                     | 15         | 15         |            |            |
| AT, CH, CZ, DE, DK, F I, FR, GB, GR, IT, NL , NO, SE  | I3B/P                             | G30      | 30       | 30       | 138                    | 7.5              | 22.5                             | 22.5                     | 15         | 15         |            |            |
| BE, CH, CZ, ES, FR, G B, GR, IT, PT   | I3+                               | G30/G31  | 28-30/37 | 28-30    | 138                    | 7.5              | 22.5                             | 22.5                     | 15         | 15         |            |            |
| <b>This appliance shall be installed in conformity with the current regulations and used only in a well-ventilated location. Consult the instructions before installing and using this appliance.</b> |                                   |          |          |          |                        |                  |                                  |                          |            |            |            |            |

### 4.4 TEST DE POINT DE PRESSION

Le test de point pression est situé sur le collecteur de gaz. Le collecteur de gaz et le test de point de pression est accessible en retirant les boutons de commande de la vanne de gaz et le panneau avant. Le test de point pression est indiqué dans le tableau nominal de consommation de gaz.

### 4.5 VENTILATION ET AIR

Tous les brûleurs à gaz et les pilotes ont besoin de suffisamment d'air pour fonctionner. Pour des performances optimales et pour votre sécurité, il est essentiel que l'équipement, en position de montage, dispose de l'air et de ventilation propre et d'équilibre de l'échappement / canopée de l'air correct. L'installation correcte et le respect de toutes les exigences réglementaires et autres est de la responsabilité de l'acheteur / propriétaire.

Veuillez noter qu'un canopée d'échappement fort va créer un vide s'il n'y a pas assez d'air de remplacement. La quantité d'air utilisée doit être remplacée par une quantité égale d'air.

Le flux d'air de l'appareil ne doit pas être bloqué ou limité (par exemple les gros objets ne doivent pas être placés en face de l'appareil). La cheminée ne doit jamais être couverte ou restreinte en aucune façon.

## 5 INSTRUCTIONS DE FONCTIONNEMENT

### 5.1 INSTRUCTIONS D'ALLUMAGE



NE PAS FAIRE FONCTIONNER L'UNITE SI ELLE A ÉTÉ INSTALLÉE ET COMMISSIONNÉE PAR UNE PERSONNE AGRÉÉE.



AVANT D'ALLUMER L'ALIMENTATION PRINCIPALE DE GAZ, VÉRIFIER ET ASSURER QUE TOUTES LES VANNES SOIENT EN POSITION "OFF".



CET APPAREIL EST CONÇU A DES FINS DE RESTAURATION COMMERCIALE ET GÈNÈRE DE LA CHALEUR SIGNIFICATIVE. LES SURFACES CHAUDES PEUVENT CAUSER DES BRULURES. UNE ÉVALUATION DES DANGERS ET DES RISQUES DOIVENT ÊTRE ENTREPRIS PAR LES PROPRIÉTAIRES ET TOUS LES EXPLOITANTS INFORMÉS DE CES DERNIERS.

**REMARQUE:** Assurez-vous que l'alimentation de gaz de l'équipement soit sous tension.

**ATTENTION:** Lorsque les brûleurs supérieurs ouverts adjacents au dosseret ou sur le côté d'une plaque de grill fonctionnent à haute température et couverts par de grands récipients de cuisson (à savoir casseroles, poêles, etc.), la dispersion de la chaleur peut provoquer une décoloration et ou la déformation de la surface métallique adjacente.

Avant d'essayer d'allumer l'appareil, le couvercle, si équipé, doit être ouvert.  
Assurez-vous que toutes les vannes soient fermées avant d'allumer l'alimentation en gaz.

### 5.2 LES BRÛLEURS OUVERTS SUPÉRIEURS

#### Allumer la flamme du pilote

- En commençant sur la position OFF ● appuyez sur la poignée de contrôle et faites une rotation sur la position PILOTE ★.
- Appuyez sur le bouton et allumez la flamme pilote avec un cône ou un pistolet à flamme - maintenez le bouton enfoncé pendant 15 secondes après que les pilotes se soient allumés.
- Relâchez le bouton et vérifiez que la flamme du pilote reste allumée. Si la flamme du pilote ne reste pas allumée, répétez la procédure d'allumage.

#### Allumage brûleur ouvert

- Appuyez légèrement sur le bouton de commande et faites tourner jusqu'au niveau de flamme souhaitable
- Lorsque la vanne automatique détecte que le pilote est allumé, le flux de gaz vers le brûleur principal est ouvert.

#### Position Standby du Pilote

- Pour éteindre le brûleur principal et garder le pilote sur ON, appuyez légèrement sur le bouton de commande et tournez jusqu'à la position PILOTE ★.

#### Arrêt / Pilote OFF

- Appuyez légèrement sur le bouton de commande et tournez dans la position OFF ●.

REMARQUE: Si la flamme du pilote a été accidentellement éteinte, le dispositif de sécurité d'échec de flamme sera mis en place et coupera le flux de gaz vers le brûleur principal. Il serait alors nécessaire de rétablir la lumière du pilote en suivant la procédure ci-dessus.



### 5.3 BRÛLEUR(S) GRILL (GRIL)

#### Allumage Flamme du Pilote

- A partir de la position OFF ●, appuyez sur le bouton de commande et tournez dans la position PILOTE ★.
- Appuyez sur le bouton de commande et puis collez le pistolet de la flamme à travers un trou d'environ 0,6" diamètre pour allumer le pilote. Le pilote est situé à 7" à l'intérieur du trou. Regardez dans la fenêtre de pilote pour veiller à ce que le pilote soit allumé. La flamme du pilote peut être vue à travers le panneau avant). Maintenir le bouton enfoncé pendant 15 secondes après que le pilote se soit allumé.
- Relâchez le bouton et vérifiez que la flamme du pilote reste allumée. Si la flamme du pilote ne reste pas allumée, répétez la procédure d'allumage.

#### Allumage Brûleur Grill (Gril)

- Appuyer légèrement sur le bouton de commande et faire tourner au niveau souhaitable.
- Lorsque la vanne automatique détecte que la veilleuse est allumée, le flux de gaz vers le brûleur principal est ouvert.

#### Position Standby du Pilote

- Pour allumer le brûleur principal et garder le pilote sur ON, appuyez légèrement sur le bouton de commande et tournez dans la position PILOTE ★.

#### Arrêt / Pilote OFF

- Appuyer légèrement sur le bouton de commande et tournez dans la position OFF ●.

**REMARQUE:** Si la flamme du pilote a été accidentellement éteinte, le dispositif de sécurité d'échec de flamme se mettra en marche et coupera le flux de gaz vers le brûleur principal. Il serait alors nécessaire de rétablir la lumière du pilote en suivant la procédure ci-dessus.

### 5.4 BRÛLEUR DE FOUR



**AVERTISSEMENT: ASSUREZ-VOUS QUE LE PILOTE EST ETABLI AVANT DE METTRE SUR LE THERMOSTAT. LA FLAMME DU PILOTE PEUT ÊTRE VUE PAR LE TROU DE VISIONNEMENT.**

- Avant de tenter d'allumer l'appareil, le couvercle, si équipé, doit être ouvert.
- Assurez-vous que le thermostat situé sur le panneau de commande est éteint.
- Retirez le panneau inférieur, appuyez sur le bouton noir de la soupape de sécurité pendant 15 à 30 secondes. Collez le pistolet à flamme à travers une ouverture pour allumer le pilote (situé à environ 100 mm derrière l'ouverture). Attendez 5 à 10 secondes avant de relâcher votre doigt sur le bouton noir. Répétez le processus ci-dessus si la flamme du pilote ne reste pas allumée.
- Lorsque la flamme du pilote est allumée, tournez le thermostat à la température désirée 121 °C à 287 °C (250 - 550°F). Vous pouvez observer la flamme du brûleur du four par une ouverture derrière le panneau inférieur. Vous pouvez maintenant remplacer le panneau inférieur.
- Pour éteindre le four, tournez le thermostat dans le sens de l'aiguille d'une montre sur la position « OFF ». Le brûleur du four devrait sortir immédiatement. Une période d'arrêt complet de 5 minutes doit être autorisée avant que l'appareil soit rallumé.

#### Réglage des brûleurs principaux

- Le réglage de la flamme appropriée des brûleurs principaux est obtenu en desserrant la vis de réglage sur les volets d'air en procédant comme suit:
- Les volets d'air doivent d'abord être ouverts pour une flamme bleue forte, puis fermer lentement, jusqu'à ce que les flammes s'allument doucement avec juste un minimum de jaune au bout.

## 6 OPÉRATEUR DE MAINTENANCE



CONTACTER L'USINE, LE REPRESENTANT DE L'USINE OU UN SERVICE D'ENTREPRISE LOCALE POUR EFFECTUER LA MAINTENANCE ET LA REPARATION.



UTILISER SEULEMENT DES PRODUITS CHIMIQUES APTES ET OBSERVER LES CONSIGNES DE SECURITE DU FABRICANT POUR UNE MANIPULATION ET UNE UTILISATION SURE.

### 6.1 ASSAISONNEMENT DU GRIL (APPLICABLE SEULEMENT S'IL Y A UN GRILL)

**REMARQUE:** La surface de la grille a une couche de protection appliquée à la fabrication. Retirez-le par le lavage à l'eau chaude et un détergent doux jusqu'à ce que ça soit propre.

Assaisonner le grill en appliquant une mince couche d'huile de cuisson avec un chiffon à la surface de la grille entière. Retirez tout excès d'huile avec un chiffon.

Allumer le(s) brûleur(s) du grill et fixer au niveau le plus bas. Faire fonctionner le grill pendant environ 20 minutes, puis essuyer l'huile. Répétez cette procédure trois fois.

**IMPORTANT:** Utiliser uniquement à basse température lors de l'assaisonnement du grill.

**REMARQUE:** La surface du grill décolore à la chaleur. La décoloration n'affectera pas la fonction de la surface de la grille et ne rend pas la surface de la grille défectueuse.

La surface du grill doit être nettoyée avec de l'eau chaude et du détergent.

Normalement, si elle est maintenue correctement, la grille n'aura pas besoin d'être assaisonnée à nouveau. Si toutefois, la grille a été surchauffée et les produits collent à la surface de la grille, il peut être nécessaire d'assaisonner la grille à nouveau.

Le carbone et la graisse auront une incidence sur les performances de cuisson et doivent être retirés de la manière suivante:

**Après chaque utilisation,** nettoyer la grille à fond avec un racleur à grille pointu et essuyer tout excès de débris.

**REMARQUE:** Videz le tiroir de graisse nécessaire et nettoyer.

**Chaque semaine,** nettoyer la surface de la grille à fond avec une serviette de grill tandis que la surface est encore tiède (pas chaude). Après le nettoyage, assurez-vous que le détergent / produit chimique soit complètement éliminé. La surface de la grille doit être recouverte d'une mince pellicule d'huile de cuisson pour éviter la rouille.

**Remarque:** La plaque de grill est en acier et peut être facilement marquée ou bosselée par une utilisation imprudente des grattoirs et des spatules.

## 6.2 NETTOYAGE DE L'ACIER INOXYDABLE

Essuyer régulièrement la surface avec de l'eau chaude et du détergent. Rincer la zone lavée avec une éponge humide et de l'eau propre et essuyer la zone sèche pour éviter les rayures. Suivez ce processus et lavez une petite zone à la fois pour éviter les résidus de produits chimiques et de stries.

L'acier inoxydable peut se décolorer en cas de surchauffe. Ces taches peuvent généralement être enlevées à l'aide d'une poudre / pâte appropriée. Pour gratter les dépôts lourds de graisse et d'huile, utiliser uniquement des outils en bois ou en plastique si nécessaire.

**Remarque :** Ne jamais utiliser de laine d'acier pour nettoyer l'acier inoxydable.

**Remarque:** Des dommages peuvent survenir si des produits chimiques qui ne conviennent pas pour l'acier inoxydable sont utilisés.

## 6.3 INTÉRIEUR DU FOUR (EMAIL)

**Remarque:** Retirez toutes les grilles et les guides du four et nettoyez-les séparément avec un détergent approprié et de l'eau chaude.

La surface intérieure du four émaillé doit être nettoyé régulièrement avec un nettoyant pour le four approprié.

**Remarque:** Le support de fil de chrome est conçu pour la tenue de casseroles 18 "x 26" en tôle d'aluminium standards, pas pour un contact direct avec les aliments.

## 6.4 BRULEURS SUPERIEURS OUVERTS

**Remarque:** Les éclaboussures sont la principale cause des problèmes de performance des brûleurs supérieurs et pilotes ouverts. Les éclaboussures peuvent bloquer les ports de gaz, ce qui provoque alors défaillance de fonctionnement des brûleurs ou, dans les cas graves, un arrêt total. Nettoyer les déversements dès qu'ils surviennent.

Pour nettoyer les brûleurs, retirez le couvercle du brûleur et nettoyer avec un détergent approprié et de l'eau chaude. Si les orifices du brûleur sont bloqués, les nettoyer avec une brosse dure. Placez le couvercle du brûleur arrière sur le brûleur, allumer et vérifier que la flamme est uniforme et provient de tous les ports (cela sèche le couvercle du brûleur).

Si tous les ports restent bouchés, retirez le couvercle du brûleur et le brûleur complet et nettoyer avec un détergent approprié et l'eau chaude. Sécher soigneusement, assurez-vous que l'obturateur d'air soit complètement ouvert, réinstallez (assurez-vous que l'injecteur est situé dans le venturi du brûleur), allumer et vérifier le motif de flamme.

**Remarque:** La flamme du brûleur doit être uniformément bleue. Si des flammes jaunes sont présentes, cela peut indiquer que la graisse et la saleté sont présentes dans la gorge du brûleur. Retirer et nettoyer le brûleur par le dessus.

## 6.5 TREPIEDS

Les trépieds doivent être retirés de l'appareil avant de le nettoyer. Pour nettoyer les trépieds, laver à l'eau tiède et avec un détergent approprié à l'aide d'un chiffon doux et sec.

Pour les trépieds très sales, utilisez un nettoyant pour le four approprié et une serviette non-abrasive ou une brosse.

## 7 SERVICE



**CONTACTER L'USINE, LE REPRESENTANT DE L'USINE OU UN SERVICE D'ENTREPRISE LOCALE POUR EFFECTUER UN ENTRETIEN ET UNE REPARATION.**



**POUR VOTRE SÉCURITÉ, TOUT SERVICE DE TRAVAIL DOIT ETRE EFFECTUE PAR UNE PERSONNE AGRÉÉE ET UTILISER SEULEMENT L'ORIGINAL FOURNI ET SPECIFIES.**



**TESTER TOUS LES RACCORDS, TUYAUX ET RACCORDEMENTS DE TUYAU POUR LES FUITES CONFORMÉMENT AUX TEST DE PROCEDURES ET METHODES AGRÉÉS CONCERNANT LES FUITES DE GAZ. NE PAS UTILISER UNE FLAMME.**

**Remarque:** Lors de la vérification de pression de gaz, veiller à ce que tous les autres équipements sur la même ligne est mis sur "ON".

### 7.1 SERVICE RECOMMANDÉ

Il est recommandé que votre appareil soit réparé par une personne autorisée. C'est à titre d'orientation seulement et ça peut varier en fonction de l'utilisation de l'équipement et des soins l'opérateur. Les missions de service prescrites comprennent;

- Test de fonctionnement de tous les composants et nettoyer et ajuster si nécessaire.
- Inspecter et nettoyer toutes les vannes de gaz et lubrifier avec un lubrifiant approuvé par l'industrie.
- Inspectez toutes les conduites de gaz.
- Vérifier et régler les pressions de gaz spécifiées.
- Test de fuite.
- Performance opérationnelle, complète et test de sécurité.

### 7.2 DES INFORMATIONS DE SERVICE

Pour accéder a des vannes de gaz, enlever les boutons de commande et le panneau avant. Pour retirer un robinet de gaz, débrancher la vanne de gaz de la connexion du collecteur et retirer la valve. Pour accéder aux brûleurs du four thermocouples / pilotes, retirez la base du four.

### 7.3 AJUSTEMENTS CONCERNANT LE BRULEUR OUVERT ET GRILL

#### Test de fuite

- Assurez-vous que toutes les vannes soient en position OFF.
- Tournez le robinet principal d'alimentation en gaz.
- Allumez tous les pilotes.
- Test de fuite de tous les robinets et raccords à l'aide de méthodes approuvées.
- Corriger toute fuite comme requis et reconrôlez.
- Fermez tous les robinets et les cadrans d'un thermostat réglé sur la position « OFF ».

#### Point de test de pression

Le point de test de pression de gaz supérieure ouvert et du grill est situé sur le collecteur de gaz. Le collecteur de gaz et le point de test de pression est accessible en retirant les boutons de commande de la vanne de gaz et le panneau avant. Le point de test de pression est indiqué dans le tableau nominal de la consommation de gaz et est réglé avec deux brûleurs supérieurs ouverts fonctionnant à réglage maximum.

### Réglage du brûleur

Les orifices des brûleurs supérieurs ouvert, gril et du four sont fixés comme indiqué et ne peuvent pas être ajustés. Le taux de gaz spécifié sera atteint si la pression de la pression d'alimentation en gaz et le point de test est correcte.

Une flamme bleue distincte sur toute la zone portuaire du brûleur se produira en totalité lorsque l'alimentation en air est correcte et l'obturateur d'air est correctement réglé.



Si la flamme est jaune et ondulés, la cause doit être établie.

## 7.4 REGLAGES DE CONTRÔLE DU FOUR ET AJUSTEMENTS

### Point de test de pression

Le point de test de pression du brûleur du four se trouve également sur le point de test du collecteur sur la partie supérieure. Le point de test de pression est indiqué dans le tableau nominal de consommation de gaz.

## 7.5 INSTRUCTIONS DE CONVERSION

|   |  |
|---|--|
|  | <b>DOIT ÊTRE REMPLIE PAR UNE PERSONNE AUTORISÉE</b>  |
|  | <b>ASSURE QUE LE GAZ EST ISOLE PENDANT LA CONVERSION DE TRAVAIL. EFFECTUER UN TEST DE FUITE AVANT L'ALLUMAGE ET LE CALIBRAGE DU BRÛLEUR ET LES AJUSTEMENTS DE PILOTES.</b> |

### Au gaz propane

Régulateur                      Changer le régulateur à la configuration du gaz PROPANE et ajuster si nécessaire

Ouvrir Brûleur/Brûleur Grill                      Accéder et changer les injecteurs pour des injecteurs de gaz PROPANE  
**(voir tableau nominale de consommation de gaz)**

Brûleur de Four                      Accéder et changer l'injecteur pour un injecteur de gaz PROPANE  
**(voir tableau nominale de consommation de gaz)**

TEST DE FUITE selon des méthodes agréées

Allumez les brûleurs et réglez-les.

MODIFIER LA PLAQUE DE DONNEES ET APPLIQUER L'ÉTIQUETTE GAZ 'PROPANE'

### Au gaz naturel (ng)

Régulateur                      Changer le régulateur à la configuration du gaz NG et ajuster si nécessaire

Ouvrir Brûleur/Brûleur Grill                      Accéder et changer les injecteurs pour des injecteurs de gaz NG  
**(voir tableau nominale de consommation de gaz)**

Brûleur de Four                      Accéder et changer l'injecteur pour un injecteur de gaz NG  
**(voir tableau nominale de consommation de gaz)**

TEST DE FUITE SELON DES METHODES AGREES

Allumez les brûleurs et réglez-les

MODIFIER LA PLAQUE DE DONNEES ET APPLIQUER L'ÉTIQUETTE 'GAZ NATUREL'

### Pièces de rechange

Une liste des principaux éléments de pièce de rechange est indiquée à la fin de ce manuel.

## 8 DÉPANNAGE



TOUT SERVICE DE TRAVAIL DOIT ÊTRE EFFECTUÉE PAR UNE PERSONNE AGRÉÉE.

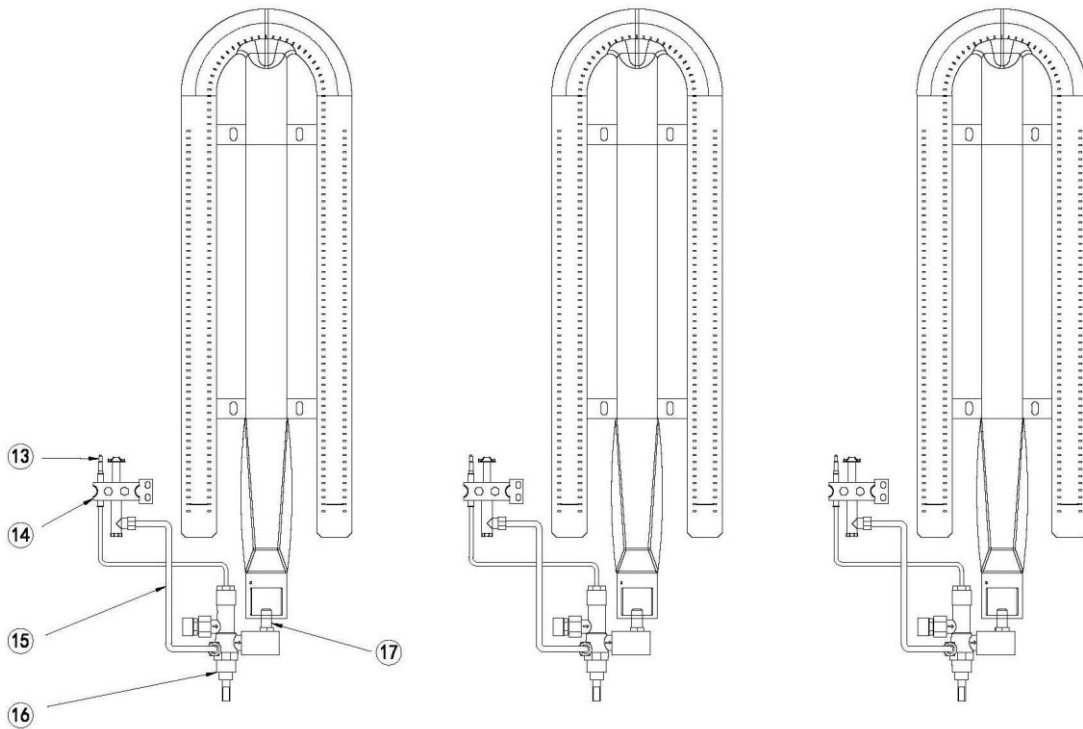
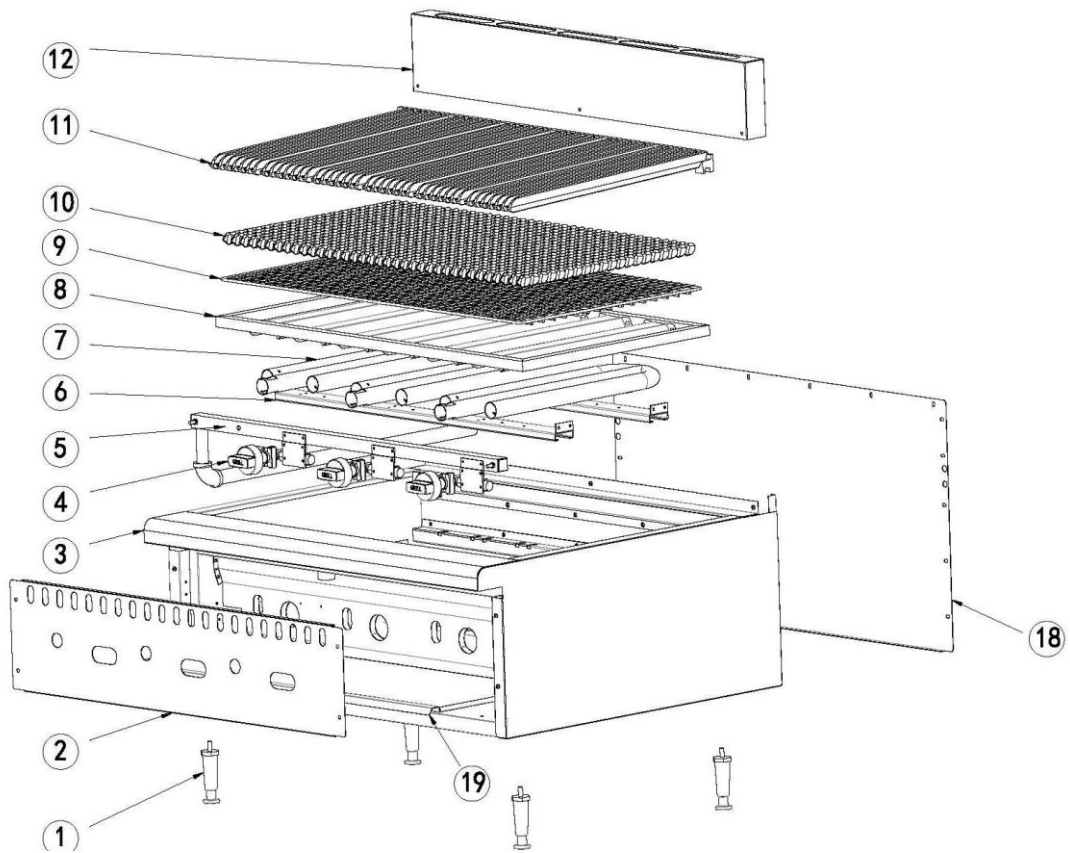
### TOUS LES BRÛLEURS

| CONDITION                               | VÉRIFIER  |
|---|---|
| Le pilote ne s'allume pas               | L'alimentation en gaz est allumée et la pression du gaz est correcte<br>Pilotes bloqués<br>Vis de réglage du pilote |
| Le pilote sort à plusieurs reprises     | La taille et la position de la flamme du pilote   |
| Flamme du brûleur jaune                 | Air primaire et ajuster l'obturateur d'air  |
| Ports de la flamme de levage du brûleur | Air primaire<br>Obturateur d'Air  |
| « Eclate » après avoir été éteint       | Air primaire<br>Obturateur d'Air  |
| Flamme du brûleur trop grande           | Pression du gaz   |
| Allumage retardé                        | Flamme du pilote<br>Nettoyer brûleurs et ports<br>Obturateur d'Air<br>Pression du gaz                               |
| Flamme brûle vers l'orifice             | Air primaire<br>Obturateur d'Air  |

### OVEN

| CONDITION                             | VÉRIFIER  |
|---------------------------------------|---|
| Température du four incorrecte        | Le thermostat du four et la position du sélecteur de commande |
| Brûleur s'éteint à température réglée | Thermostat/dérivation   |

## EXPLODED VIEW (7455.0905)

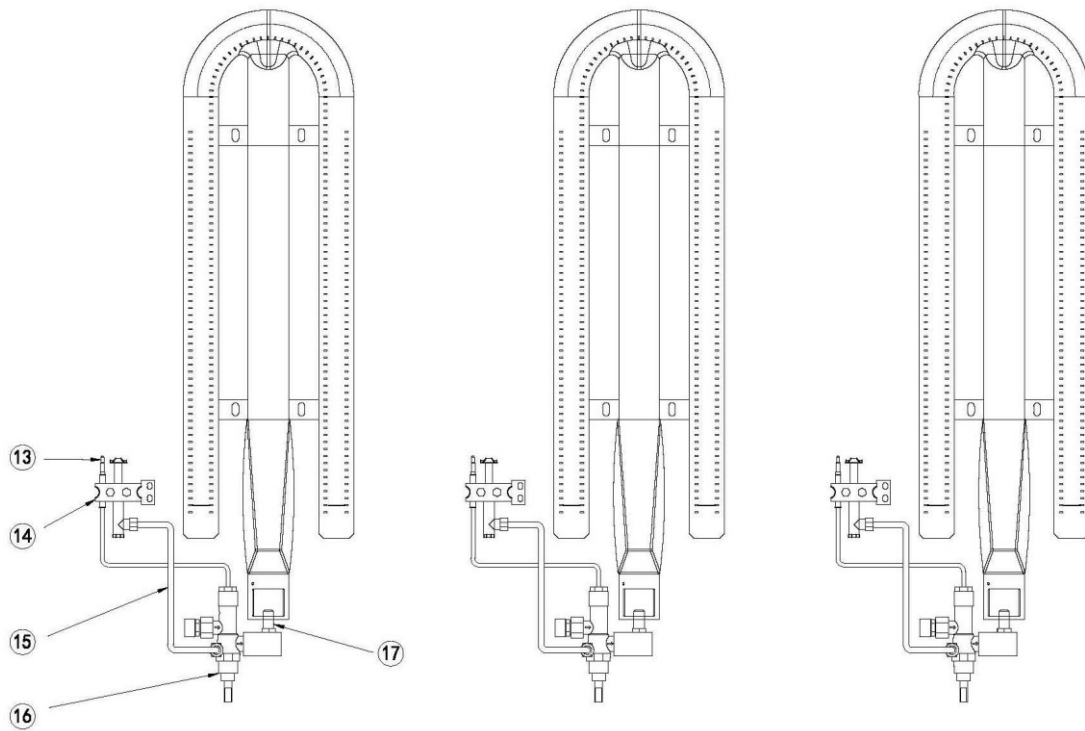
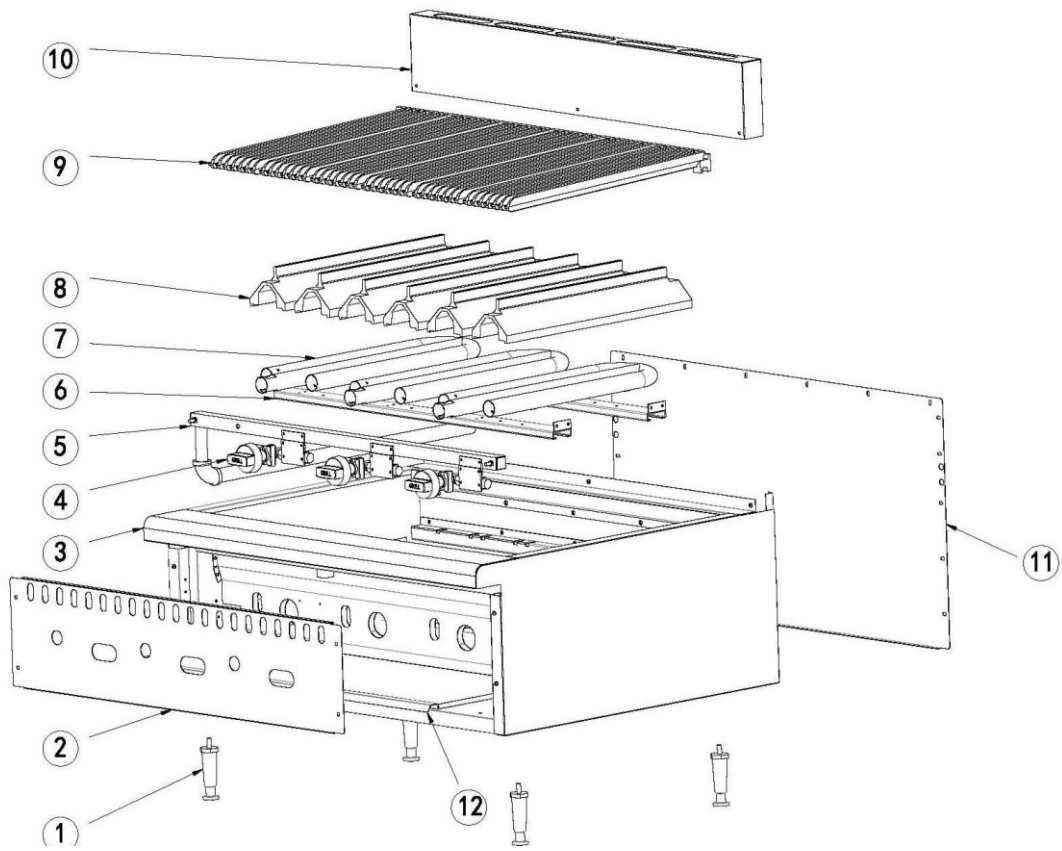


## BILL OF MATERIAL OF 7455.0905

| Item | Description   | P/N                         | Qty |
|------|---|-----------------------------|-----|
| 1    | Feet  | B07065                      | 4   |
| 2    | Panel   | 12108115                    | 1   |
| 3    | Body  | S22496                      | 1   |
| 4    | Knob (griddle)                                      | B06584                      | 3   |
| 5    | Manifold  | S22584                      | 1   |
| 6    | Burner support                                      | 12108086                    | 2   |
| 7    | Burner  | B06336                      | 3   |
| 8    | Radiant hood  | B-DYB                       | 1   |
| 9    | Rack  | B30078                      | 1   |
| 10   | Volcano stone                                       | B06915                      | /   |
| 11   | Grill plate   | Q35004                      | 6   |
| 12   | Back Splash   | S22497                      | 1   |
| 13   | Thermocouple  | B06572                      | 3   |
| 14   | Pilot   | B06362                      | 3   |
| 15   | Pilot pipe  | S22587                      | 3   |
| 16   | Gas valve   | B06580                      | 3   |
| 17   | Injector 【(I2H、I2E、I2E+)、I2L、(I3+、I3B/P30)、I3B/P50】 | B06961、B30077、B06965、B06967 | 3   |
| 18   | back  | 12108116                    | 1   |
| 19   | Drip pan  | S22498                      | 1   |



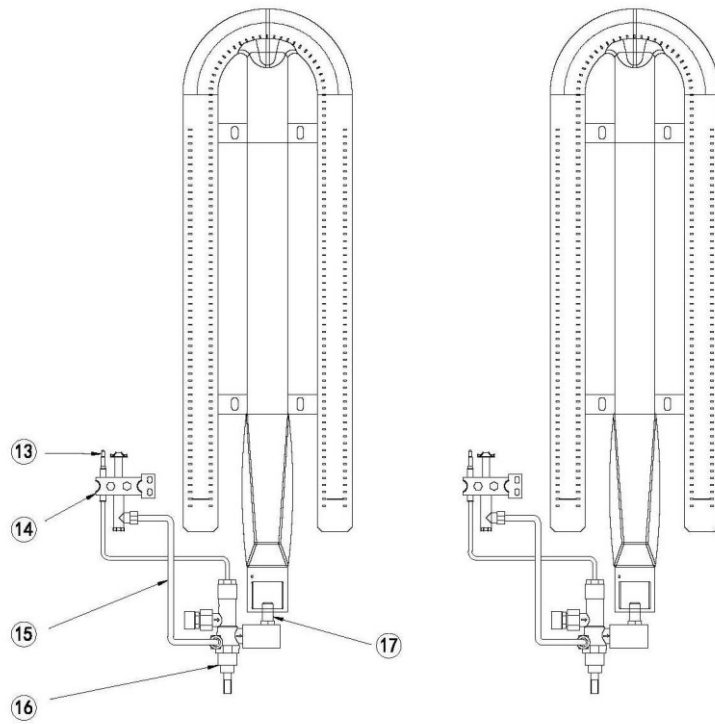
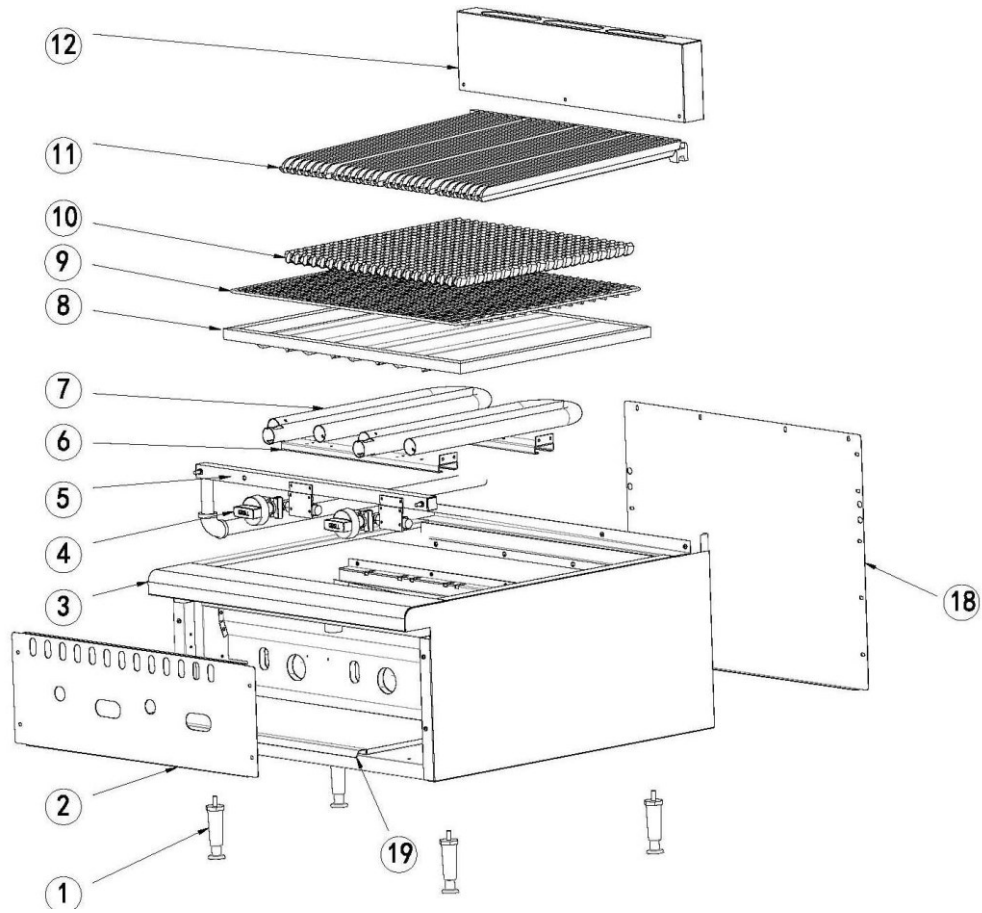
## EXPLODED VIEW (7455.0915)



## BILL OF MATERIAL OF 7455.0915

| Item | Description  | P/N                             | Qty |
|------|--|---------------------------------|-----|
| 1    | Feet   | B07065                          | 4   |
| 2    | Panel  | 12108115                        | 1   |
| 3    | Body   | S22496                          | 1   |
| 4    | Knob (griddle)   | B06584                          | 3   |
| 5    | Manifold   | S22584                          | 1   |
| 6    | Burner support   | 12108086                        | 2   |
| 7    | Burner   | B06336                          | 3   |
| 8    | Radiant hood cast iron                                   | Q35003                          | 6   |
| 9    | Grill plate  | Q35004                          | 6   |
| 10   | Back Splash  | S22497                          | 1   |
| 11   | back   | 12108116                        | 1   |
| 12   | Drip pan   | S22498                          | 1   |
| 13   | Thermocouple   | B06572                          | 3   |
| 14   | Pilot  | B06362                          | 3   |
| 15   | Pilot pipe   | S22587                          | 3   |
| 16   | Gas valve  | B06580                          | 3   |
| 17   | Injector 【(I2H、I2E、I2E+)、I2L、<br>、(I3+、I3B/P30)、I3B/P50】 | B06961、B30077、<br>B06965、B06967 | 3   |

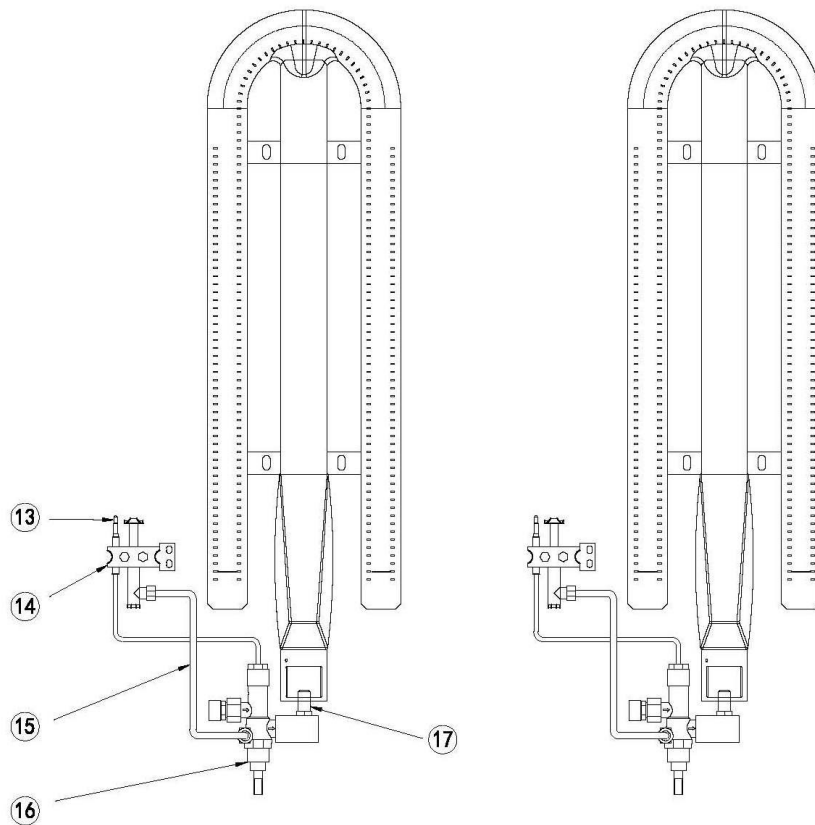
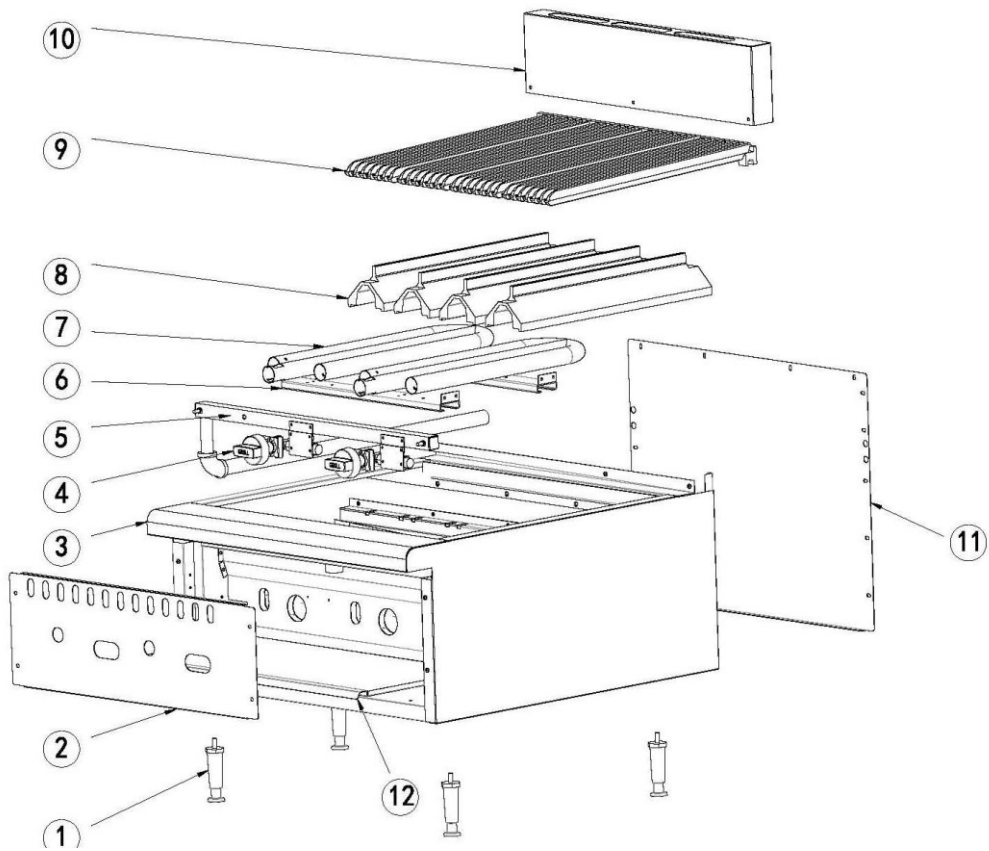
# EXPLODED VIEW (7455.0900)



## BILL OF MATERIAL OF 7455.0900

| Item | Description  | P/N                               | Qty |
|------|--|-----------------------------------|-----|
| 1    | Feet   | B07065                            | 4   |
| 2    | Panel  | 12108117                          | 1   |
| 3    | Body   | S22507                            | 1   |
| 4    | Knob (griddle)   | B06584                            | 2   |
| 5    | Manifold   | S22581                            | 1   |
| 6    | Burner support   | 12108119                          | 2   |
| 7    | Burner   | B06336                            | 2   |
| 8    | Radiant hood   | B-DYB                             | 1   |
| 9    | Rack   | B30079                            | 1   |
| 10   | Volcano stone  | B06915                            | /   |
| 11   | Grill plate  | Q35004                            | 4   |
| 12   | Back Splash  | S22508                            | 1   |
| 13   | Thermocouple   | B06572                            | 2   |
| 14   | Pilot  | B06362                            | 2   |
| 15   | Pilot pipe   | S22587                            | 2   |
| 16   | Gas valve  | B06580                            | 2   |
| 17   | Injector 【 (I2H、 I2E、 I2E+) 、 I2L<br>、 (I3+、 I3B/P30) 、 I3B/P50】 | B06961、 B30077、<br>B06965、 B06967 | 2   |
| 18   | back   | 12108118                          | 1   |
| 19   | Drip pan   | S22509                            | 1   |

## EXPLODED VIEW (7455.0910)



## BILL OF MATERIAL OF 7455.0910

| Item | Description   | P/N                         | Qty |
|------|---|-----------------------------|-----|
| 1    | Feet  | B07065                      | 4   |
| 2    | Panel   | 12108117                    | 1   |
| 3    | Body  | S22507                      | 1   |
| 4    | Knob (griddle)  | B06584                      | 2   |
| 5    | Manifold  | S22581                      | 1   |
| 6    | Burner support  | 12108119                    | 2   |
| 7    | Burner  | B06336                      | 2   |
| 8    | Radiant hood cast iron                                  | Q35003                      | 4   |
| 9    | Grill plate   | Q35004                      | 4   |
| 10   | Back Splash   | S22508                      | 1   |
| 11   | back  | 12108118                    | 1   |
| 12   | Drip pan  | S22509                      | 1   |
| 13   | Thermocouple  | B06572                      | 2   |
| 14   | Pilot   | B06362                      | 2   |
| 15   | Pilot pipe  | S22587                      | 2   |
| 16   | Gas valve   | B06580                      | 2   |
| 17   | Injector 【(I2H、I2E、I2E+)、I2L、<br>(I3+、I3B/P30)、I3B/P50】 | B06961、B30077、B06965、B06967 | 2   |